



US00D687985S

(12) **United States Design Patent**  
**Tu**

(10) **Patent No.:** **US D687,985 S**

(45) **Date of Patent:** **\*\* Aug. 13, 2013**

(54) **LED LAMP**

(75) **Inventor:** **Kuo-Chiang Tu**, Guishan Township,  
Taoyuan County (TW)

(73) **Assignee:** **Delta Electronics, Inc.**, Taoyuan County  
(TW)

(\*\*) **Term:** **14 Years**

(21) **Appl. No.:** **29/431,879**

(22) **Filed:** **Sep. 12, 2012**

(51) **LOC (9) Cl.** ..... **26-04**

(52) **U.S. Cl.**  
USPC ..... **D26/2**

(58) **Field of Classification Search**  
USPC ..... D26/1-4; 313/313, 315, 316, 317,  
313/318, 493; 315/52, 53, 56, 57, 58  
See application file for complete search history.

(56) **References Cited**

**U.S. PATENT DOCUMENTS**

- D545,457 S \* 6/2007 Chen ..... D26/2
- D584,428 S \* 1/2009 Li et al. .... D26/2
- D587,384 S \* 2/2009 Wei ..... D26/2

- D592,766 S \* 5/2009 Zhu et al. .... D26/2
- D607,587 S \* 1/2010 Ko ..... D26/2
- D610,275 S \* 2/2010 Cho ..... D26/2
- D612,956 S \* 3/2010 Moon ..... D26/2
- D613,433 S \* 4/2010 Moon ..... D26/2

\* cited by examiner

*Primary Examiner* — Marcus Jackson

(74) *Attorney, Agent, or Firm* — Chun-Ming Shih; HDLS  
IPR Services

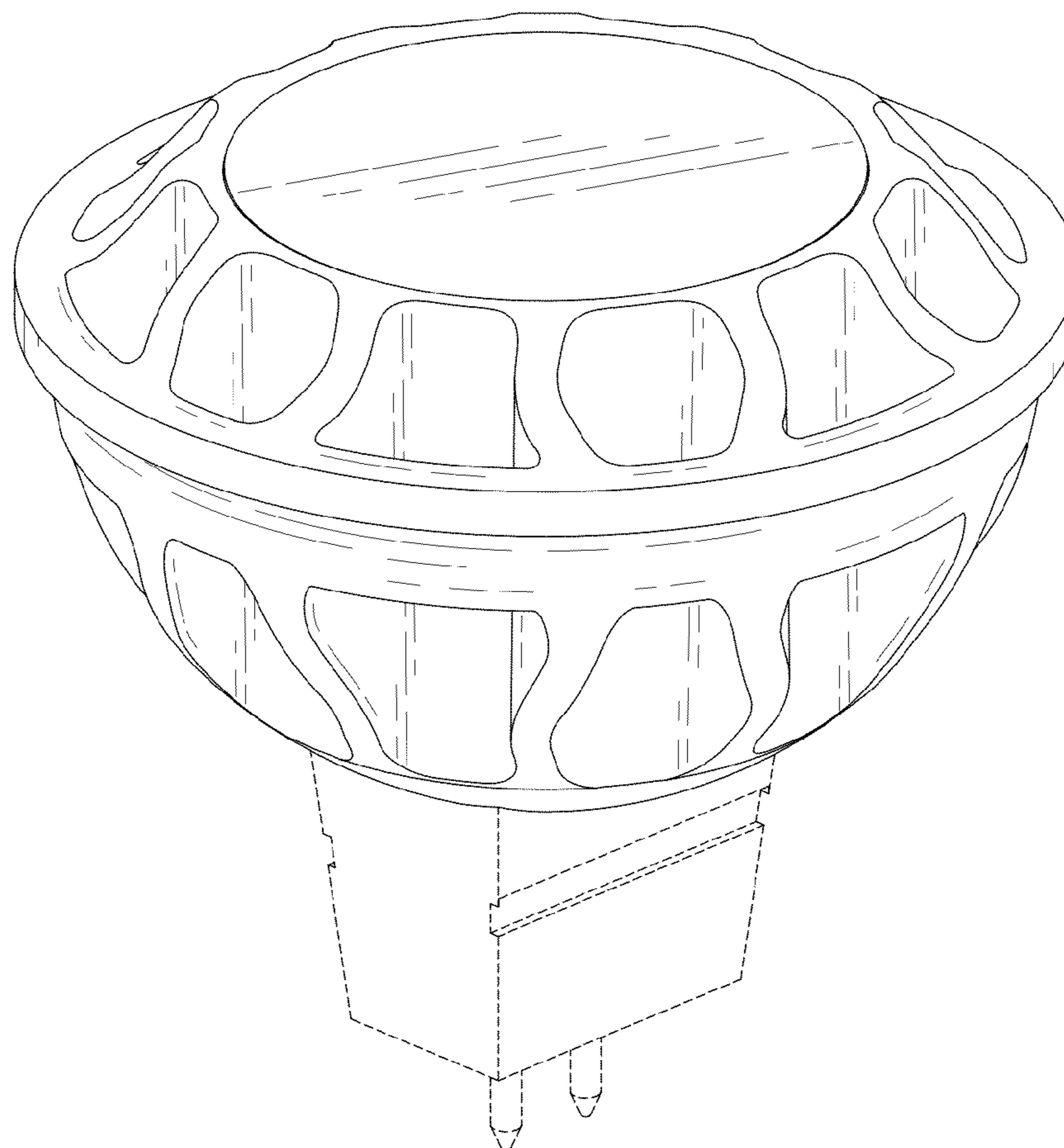
(57) **CLAIM**

The ornamental design for a LED lamp, as shown and  
described.

**DESCRIPTION**

FIG. 1 is a perspective view of a LED lamp showing my new  
design;  
 FIG. 2 is a front and rear view thereof;  
 FIG. 3 is a left and right side view thereof;  
 FIG. 4 is a top view thereof;  
 FIG. 5 is a bottom view thereof; and,  
 FIG. 6 is the other perspective view showing the LED lamp.  
 The broken lines shown represent unclaimed subject matter  
 and form no part of the claimed design.

**1 Claim, 6 Drawing Sheets**



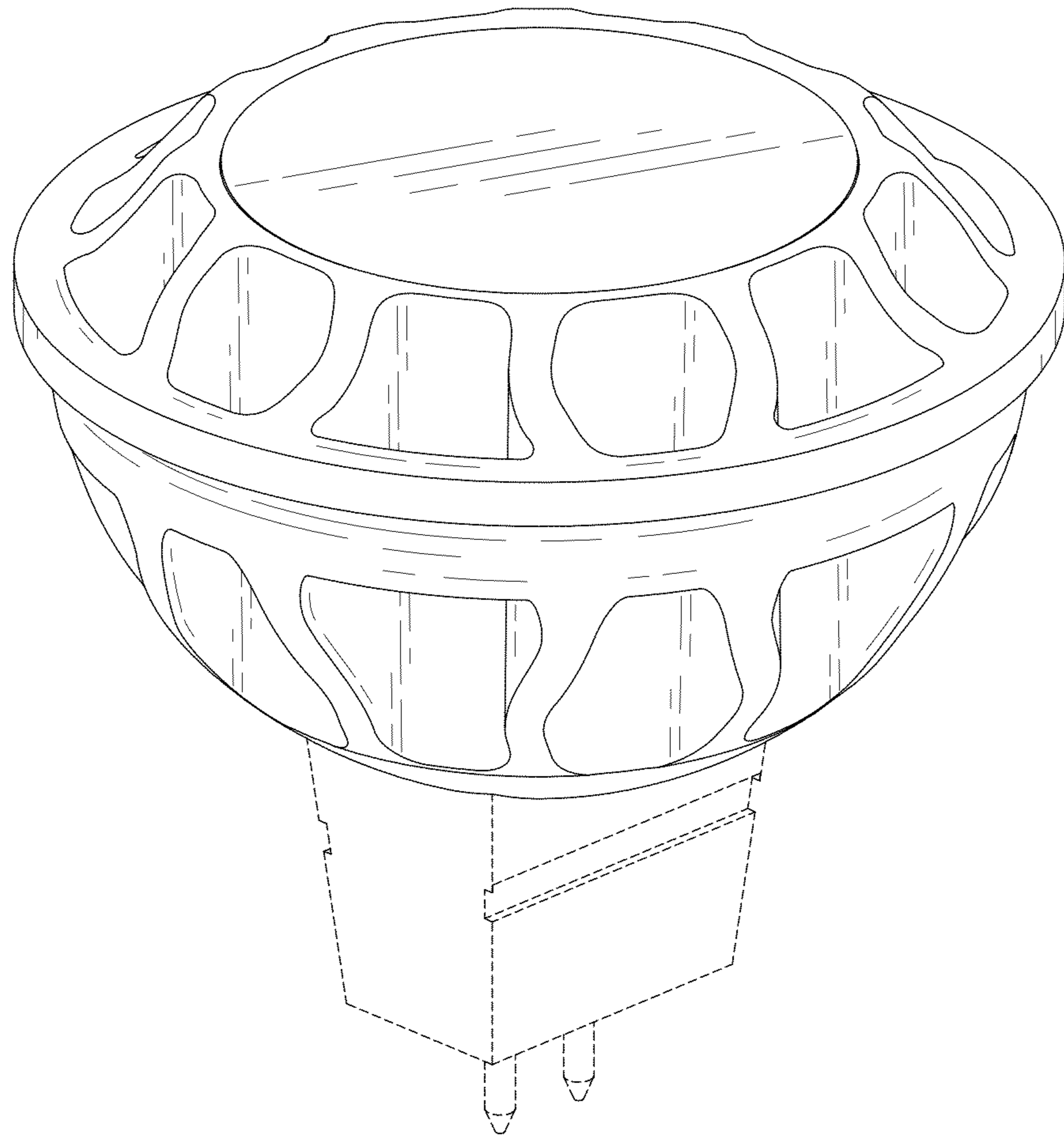


FIG. 1

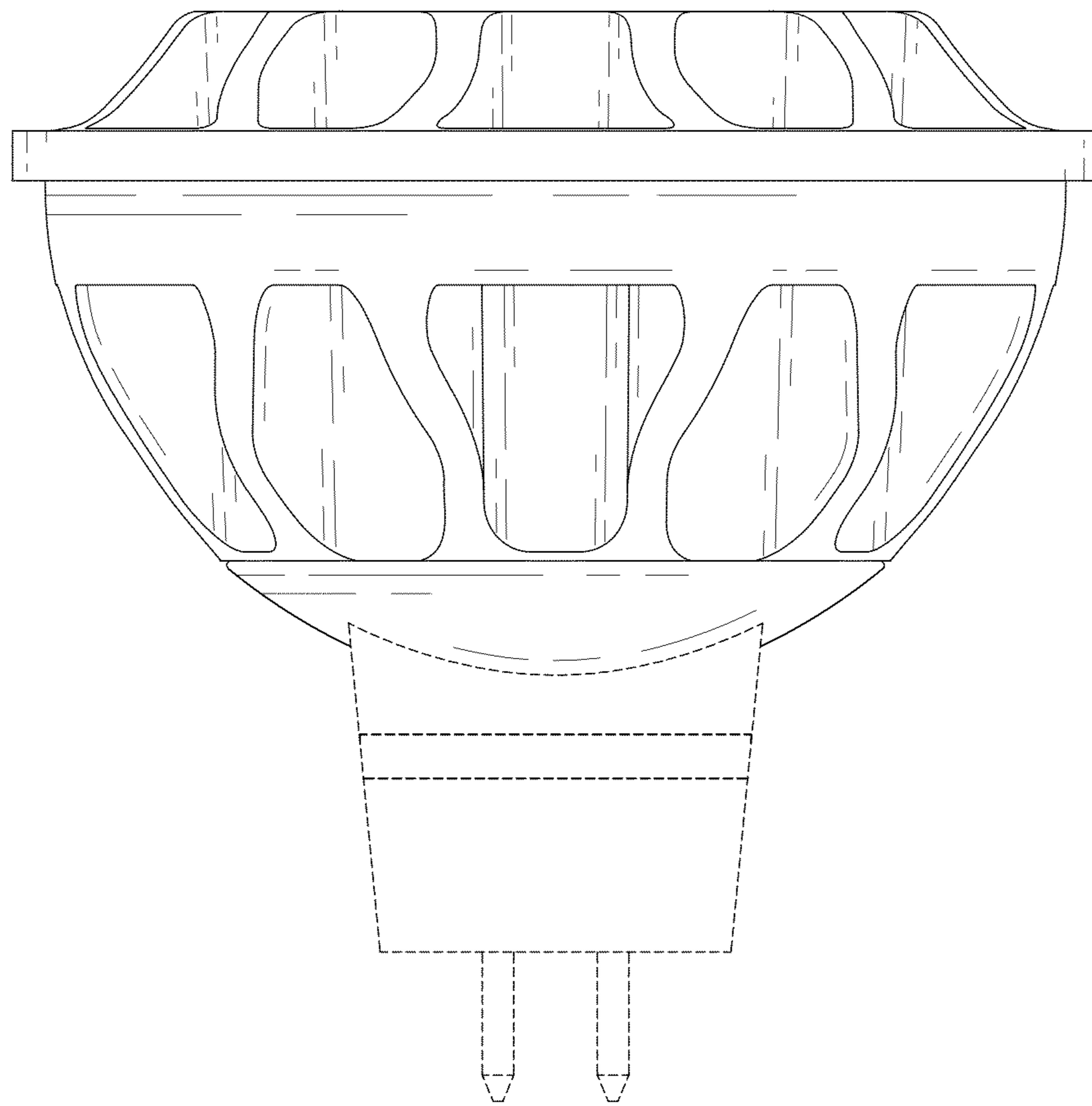


FIG.2

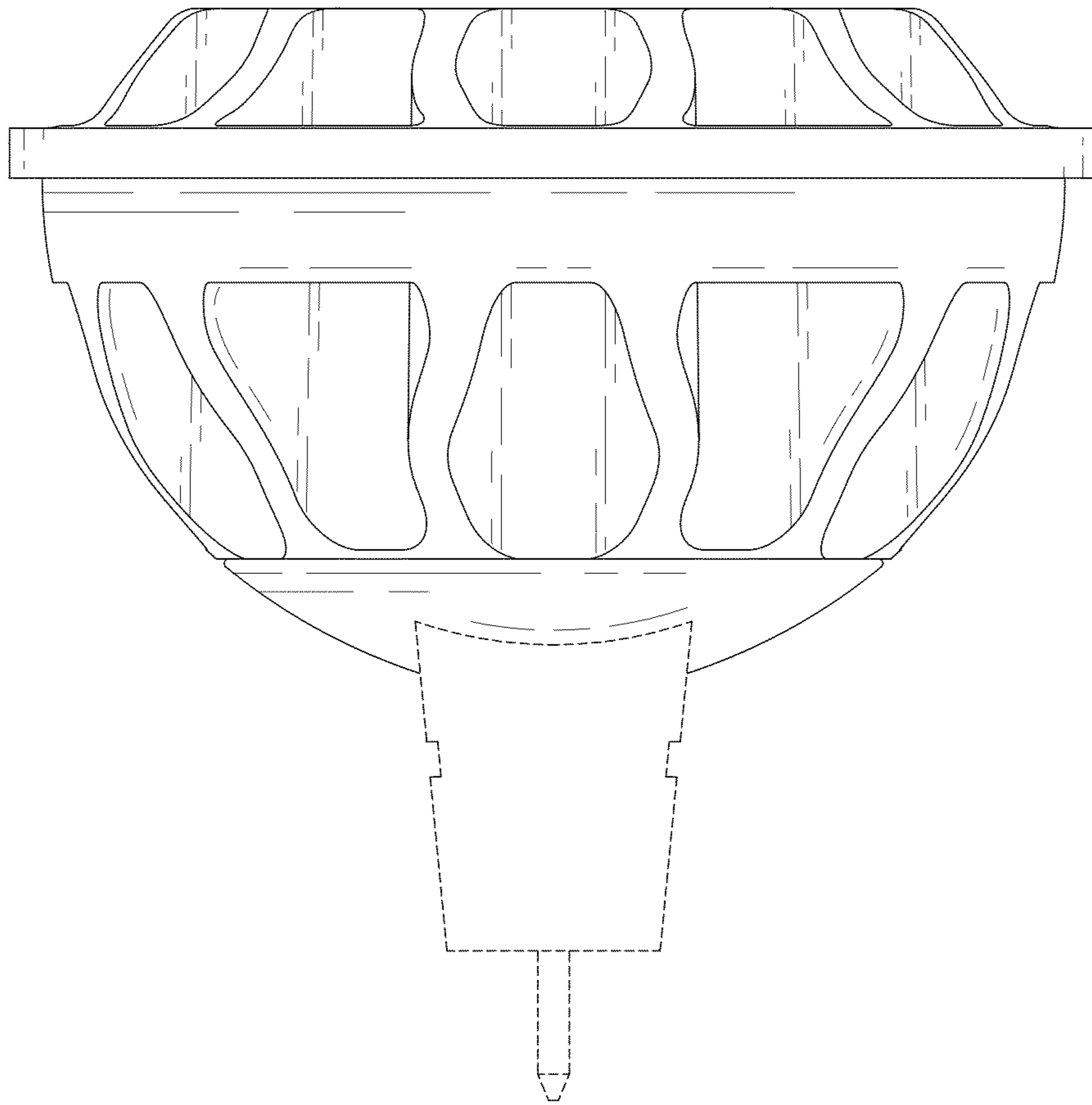


FIG.3

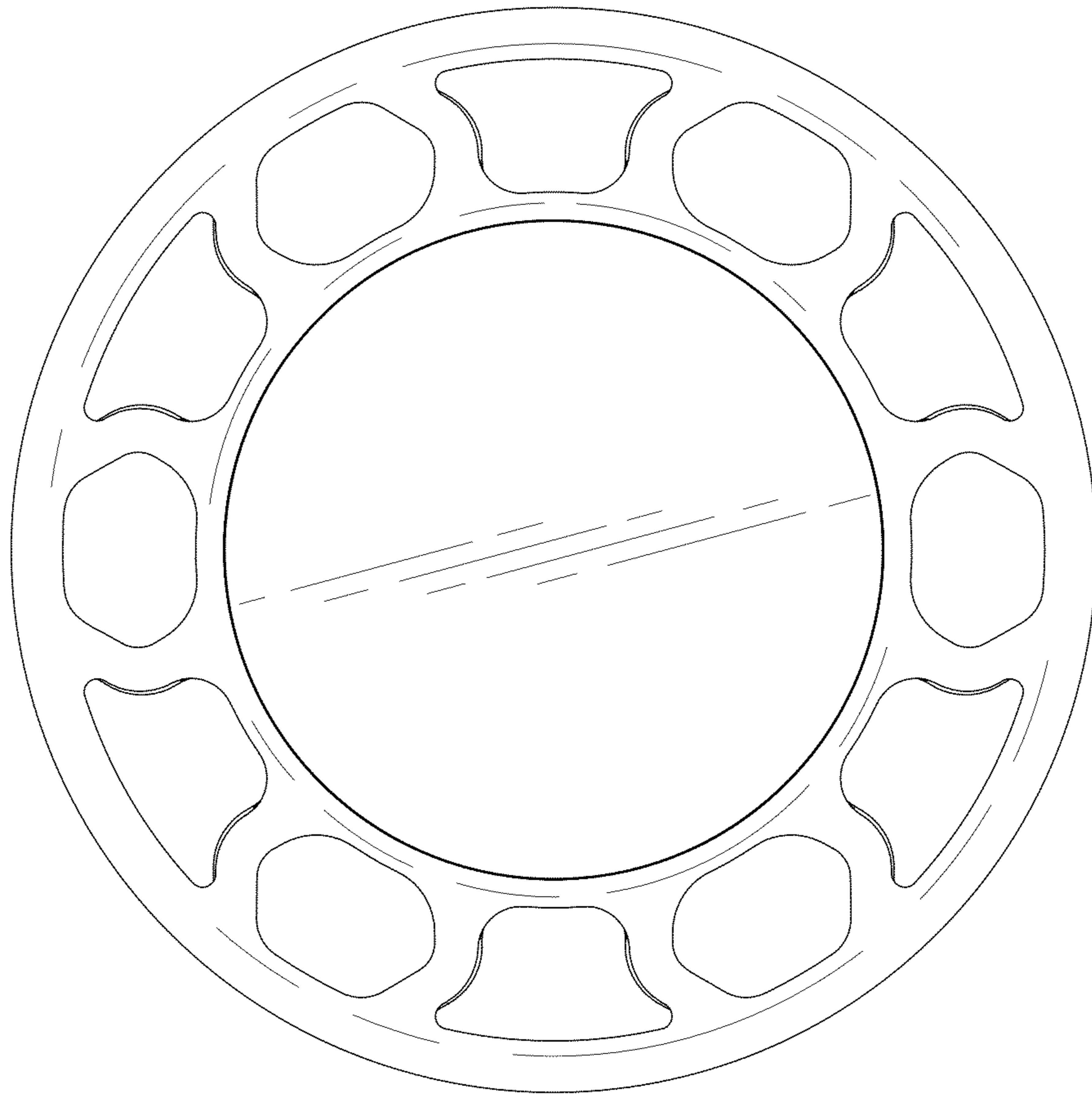


FIG.4

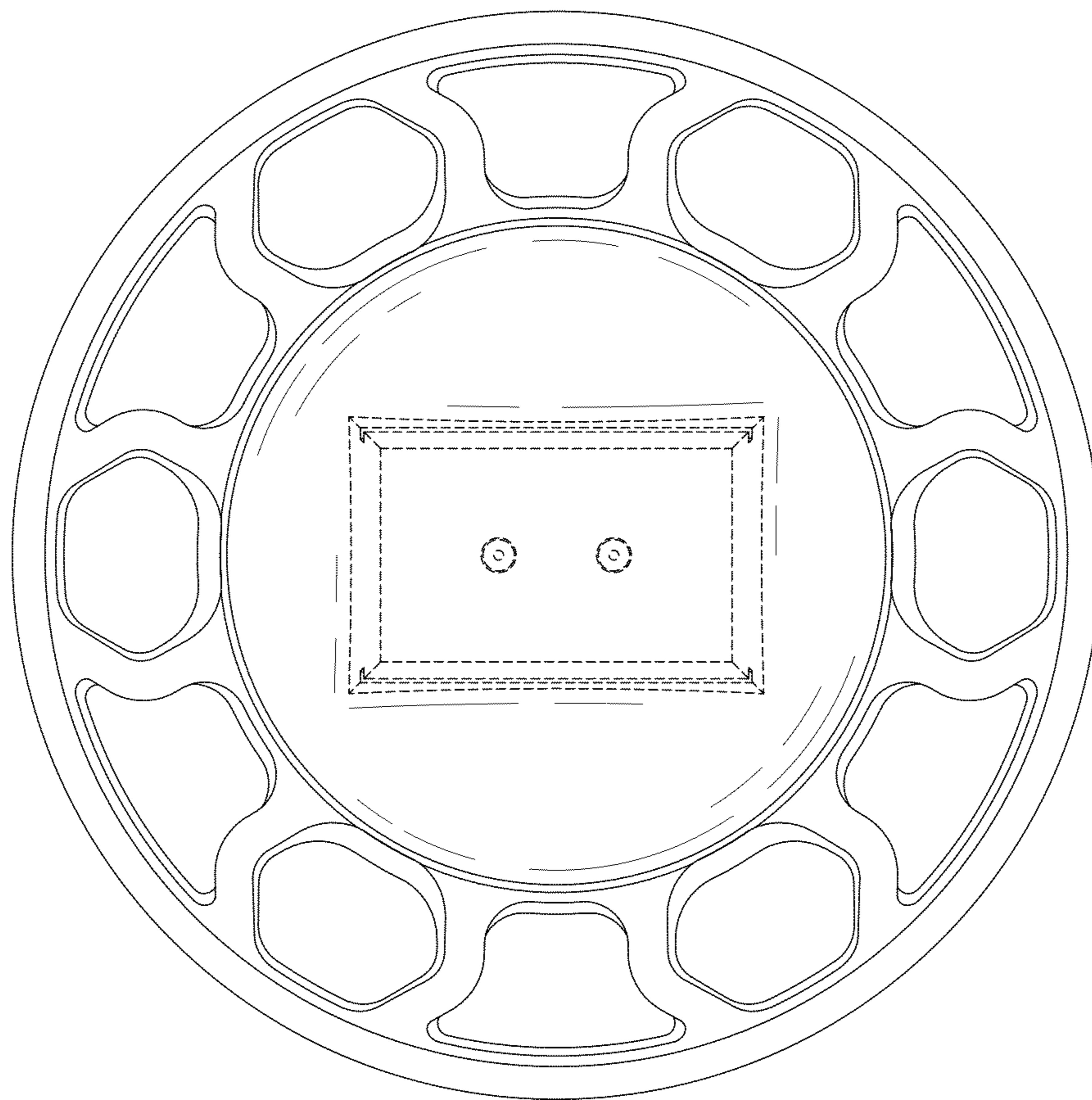


FIG.5

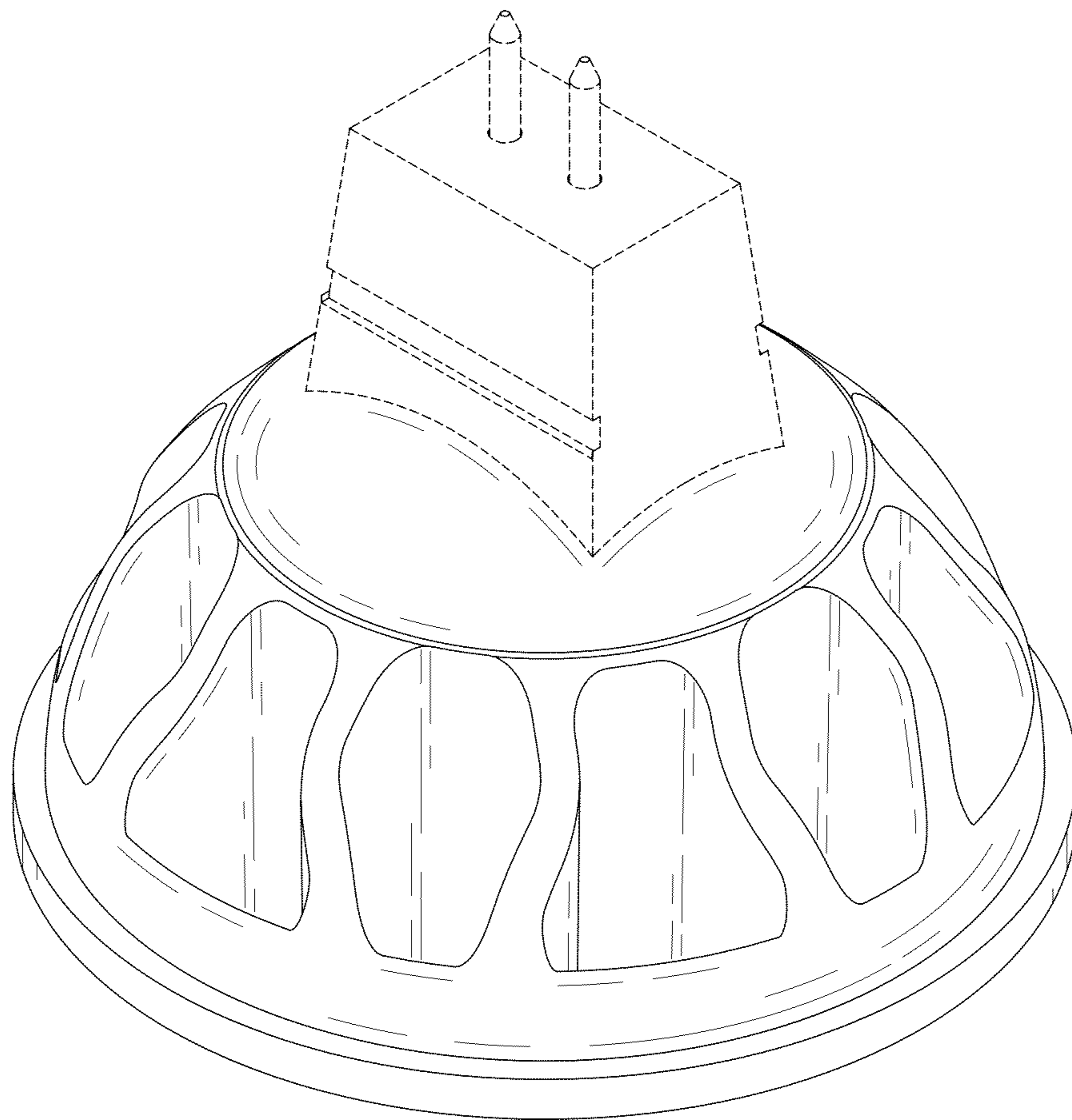


FIG.6