



US00D687984S

(12) **United States Design Patent**  
**Chen et al.**

(10) **Patent No.:** **US D687,984 S**

(45) **Date of Patent:** **\*\* Aug. 13, 2013**

(54) **LAMP**

(75) Inventors: **Yu-Sheng Chen**, Chia Yih (TW);  
**Ya-Wen Chen**, Yih Lan (TW);  
**Chih-Yun Lu**, Ping Tung County (TW)

(73) Assignee: **Lextar Electronics Corp**, Hsinchu (TW)

(\*\*) Term: **14 Years**

(21) Appl. No.: **29/430,815**

(22) Filed: **Aug. 30, 2012**

(30) **Foreign Application Priority Data**

Mar. 21, 2012 (TW) ..... 101301519

(51) **LOC (9) Cl.** ..... **26-04**

(52) **U.S. Cl.**  
USPC ..... **D26/2**

(58) **Field of Classification Search**  
USPC ..... D26/1-4; 313/313, 315, 316, 317,  
313/318, 493; 315/52, 53, 56, 57, 58

See application file for complete search history.

(56) **References Cited**

U.S. PATENT DOCUMENTS

D543,288	S	*	5/2007	Bembridge	.....	D26/2
D544,109	S	*	6/2007	Tsuruha et al.	.....	D26/2
D558,904	S	*	1/2008	Tsuruha et al.	.....	D26/2
D579,130	S	*	10/2008	Hernandez et al.	.....	D26/2
D600,368	S	*	9/2009	Bertram et al.	.....	D26/2
D610,272	S	*	2/2010	Guo et al.	.....	D26/2
D674,925	S	*	1/2013	Zhang	.....	D26/2

\* cited by examiner

*Primary Examiner* — Marcus Jackson

(74) *Attorney, Agent, or Firm* — Schmeiser, Olsen & Watts LLP

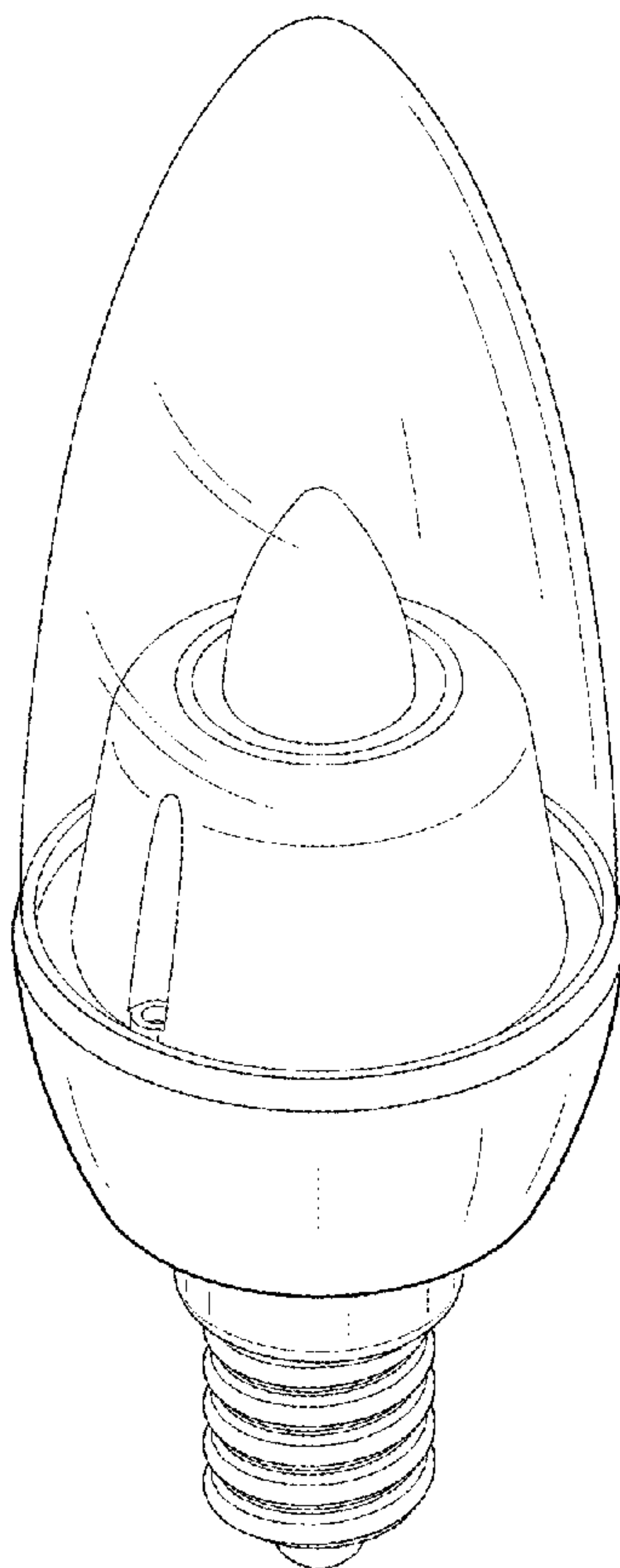
(57) **CLAIM**

The ornamental design for a lamp, as shown and described.

**DESCRIPTION**

FIG. 1 is a front perspective view of a lamp showing the new design;  
FIG. 2 is another perspective view thereof;  
FIG. 3 is a front elevational view thereof;  
FIG. 4 is a rear elevational view thereof;  
FIG. 5 is a left side elevational view thereof;  
FIG. 6 is a right side elevational view thereof;  
FIG. 7 is a top plan view thereof; and,  
FIG. 8 is a bottom plan view thereof.

**1 Claim, 8 Drawing Sheets**



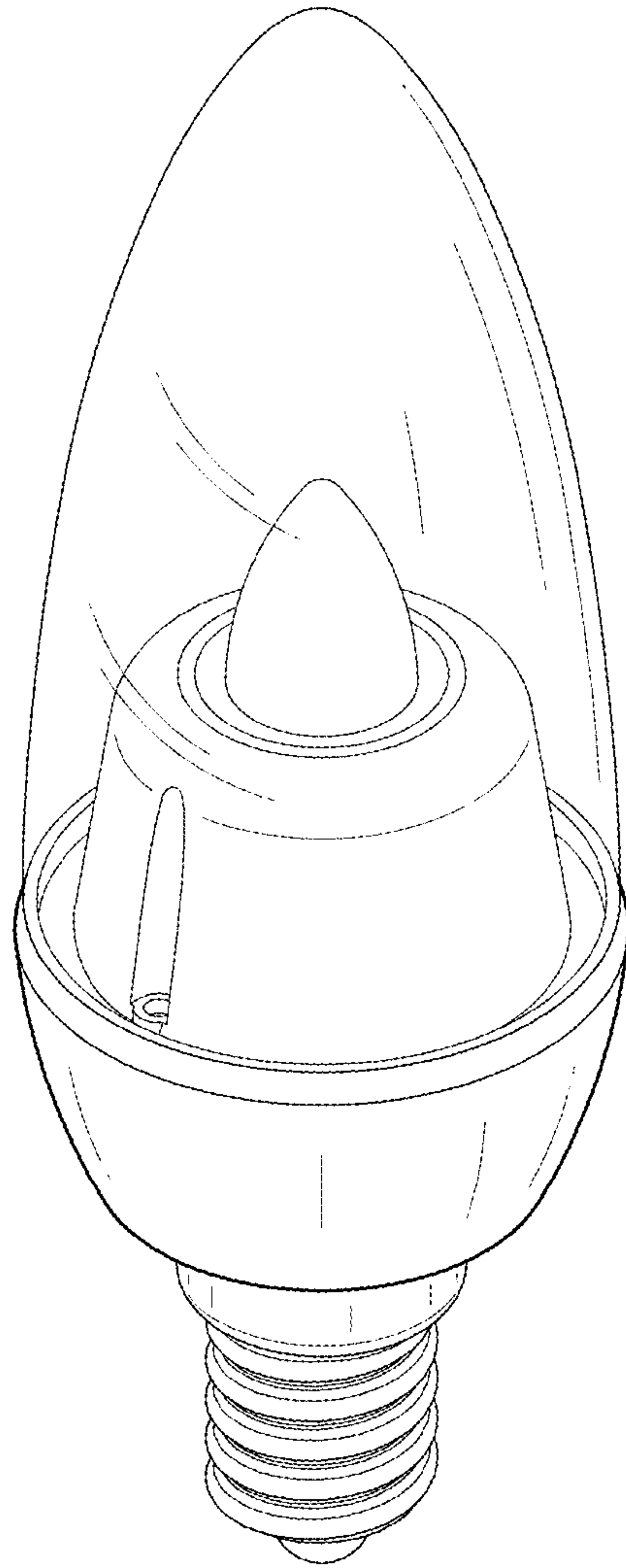


FIG. 1

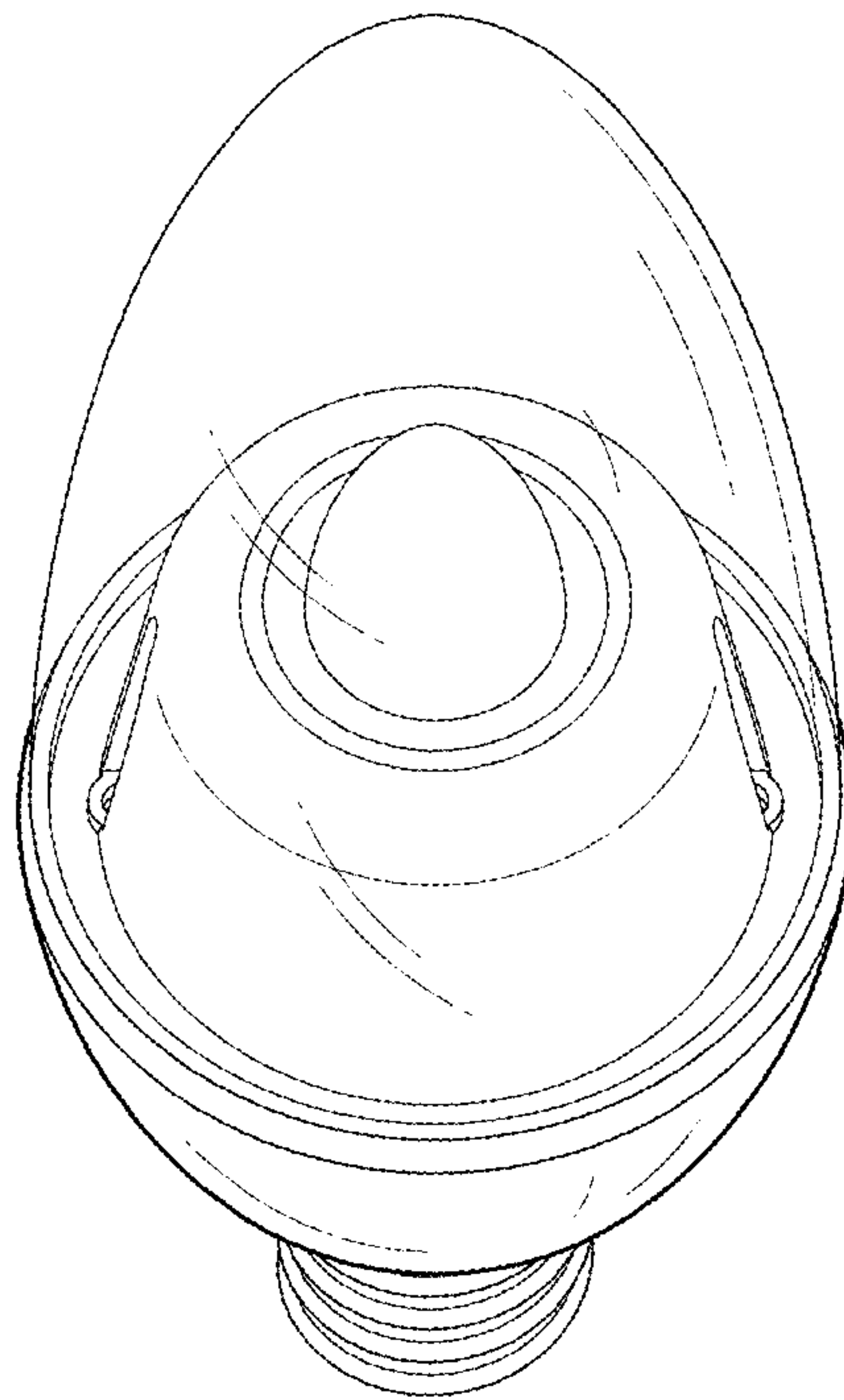


FIG.2

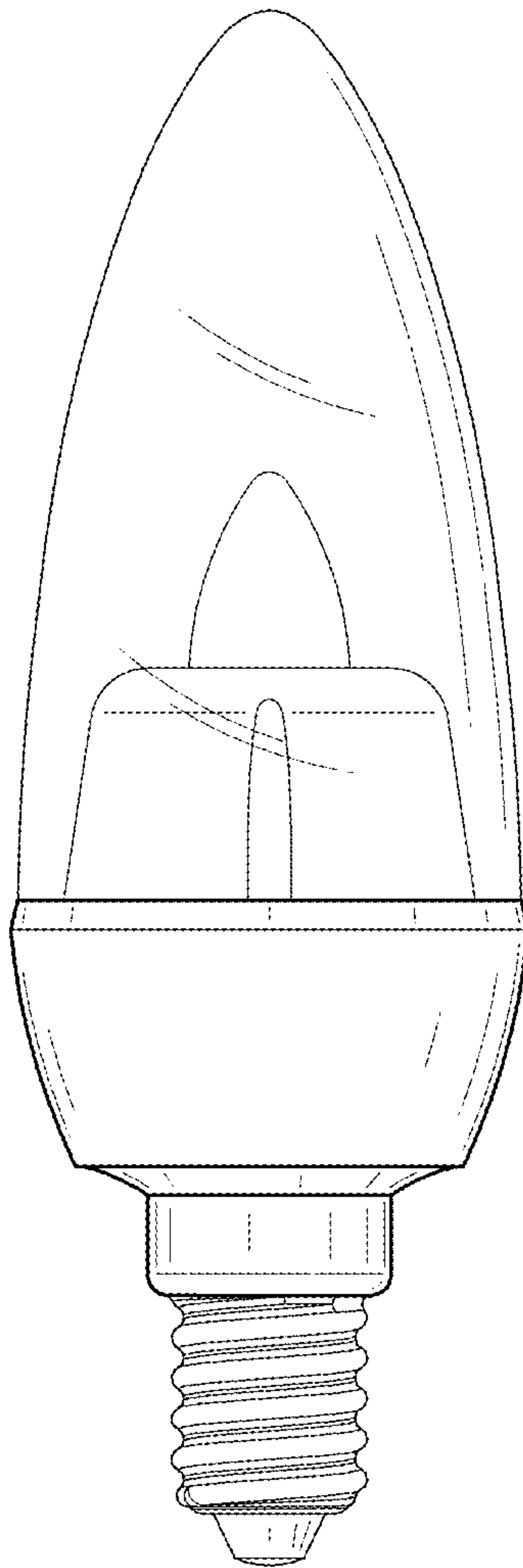


FIG.3

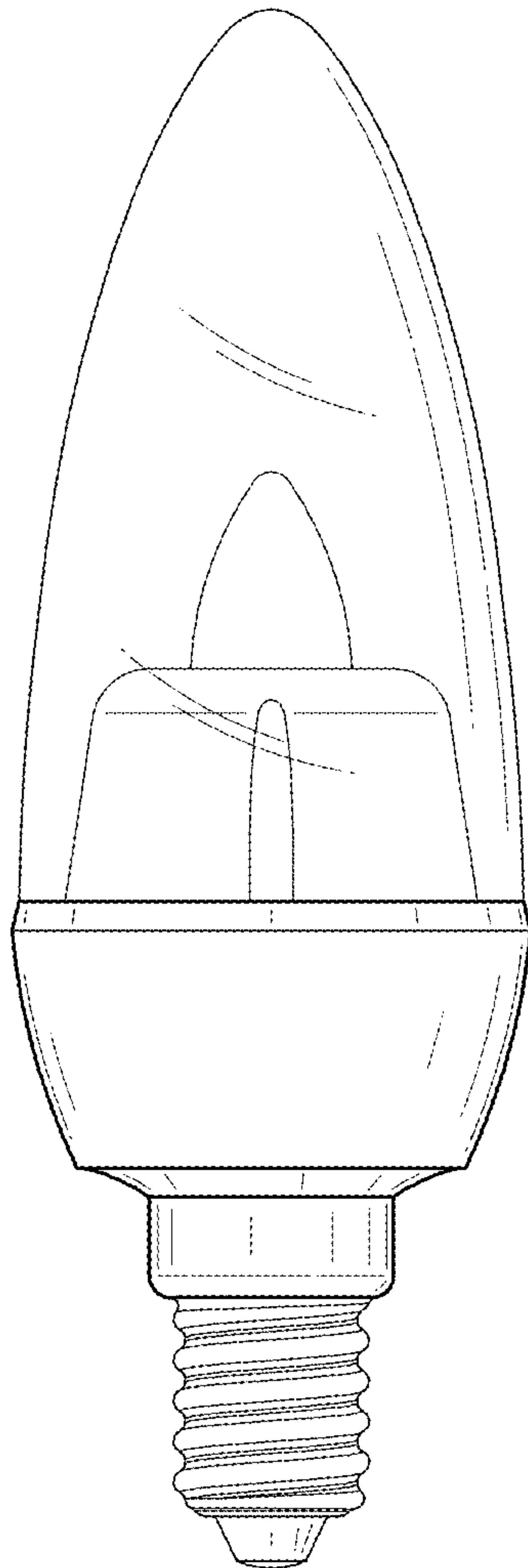


FIG. 4

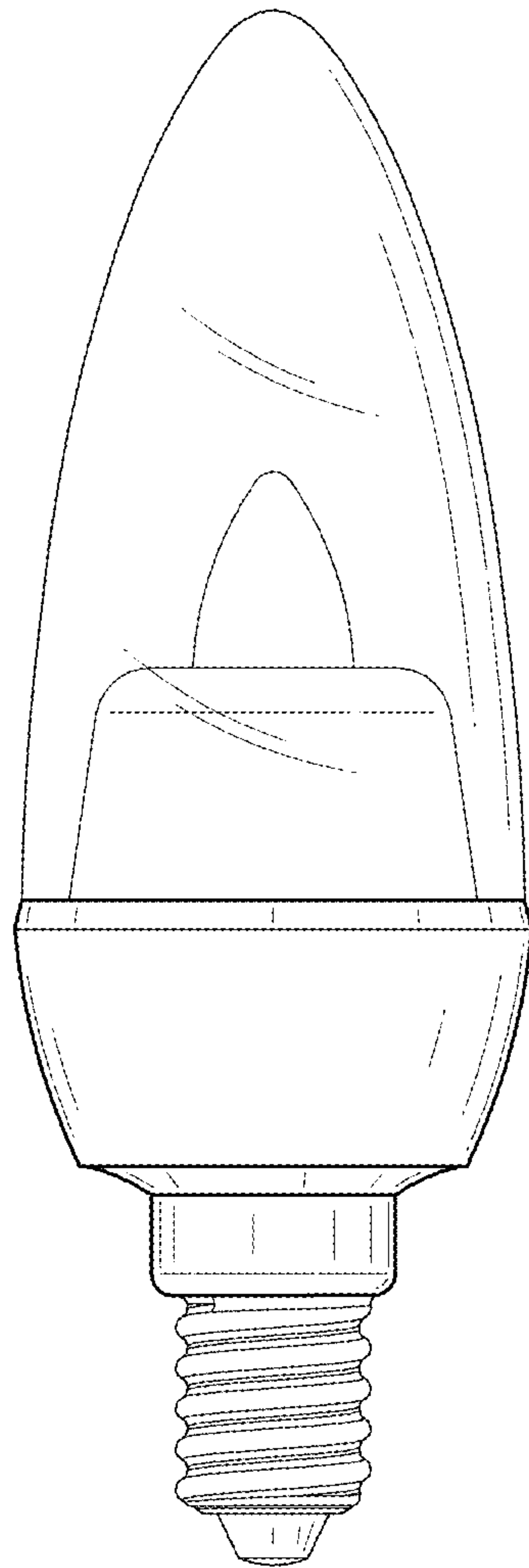


FIG. 5

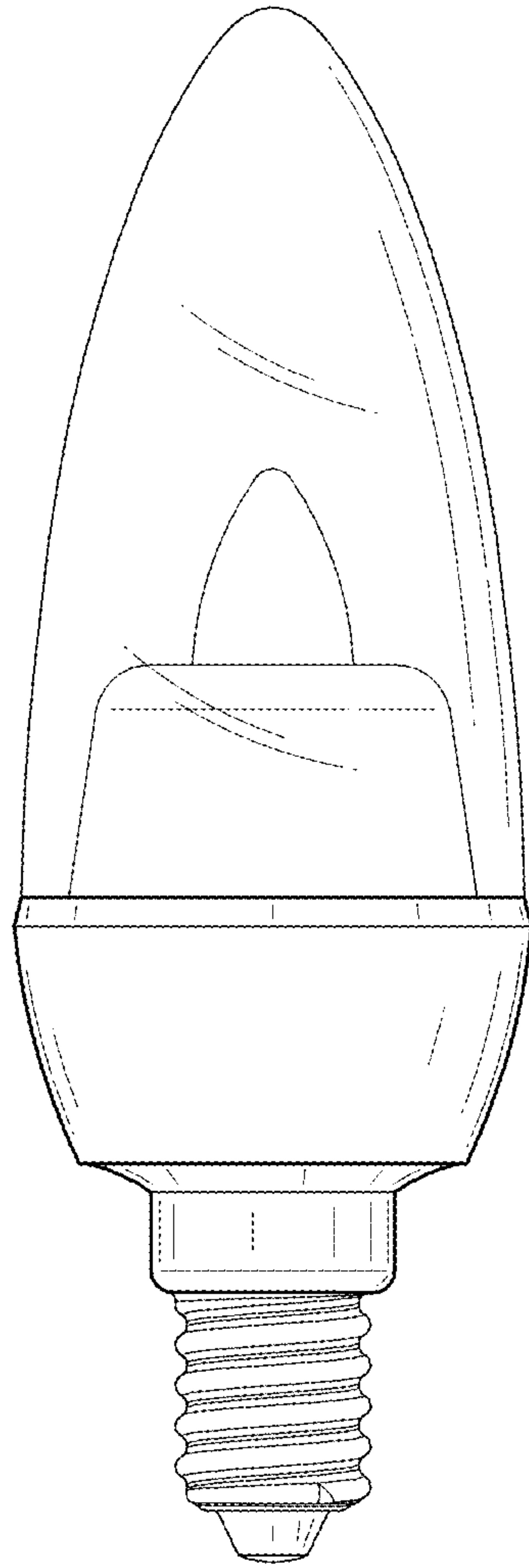


FIG. 6

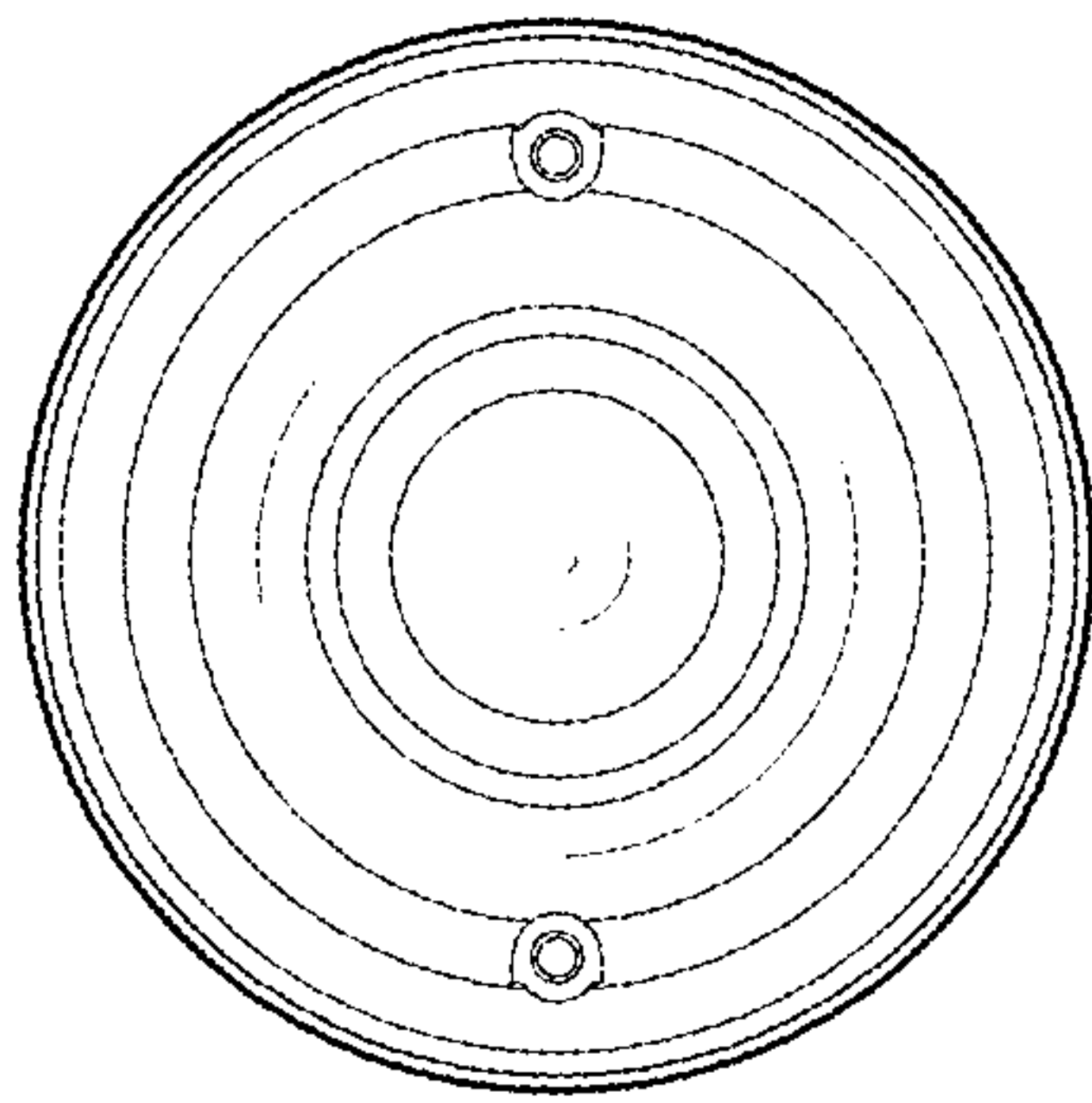


FIG. 7



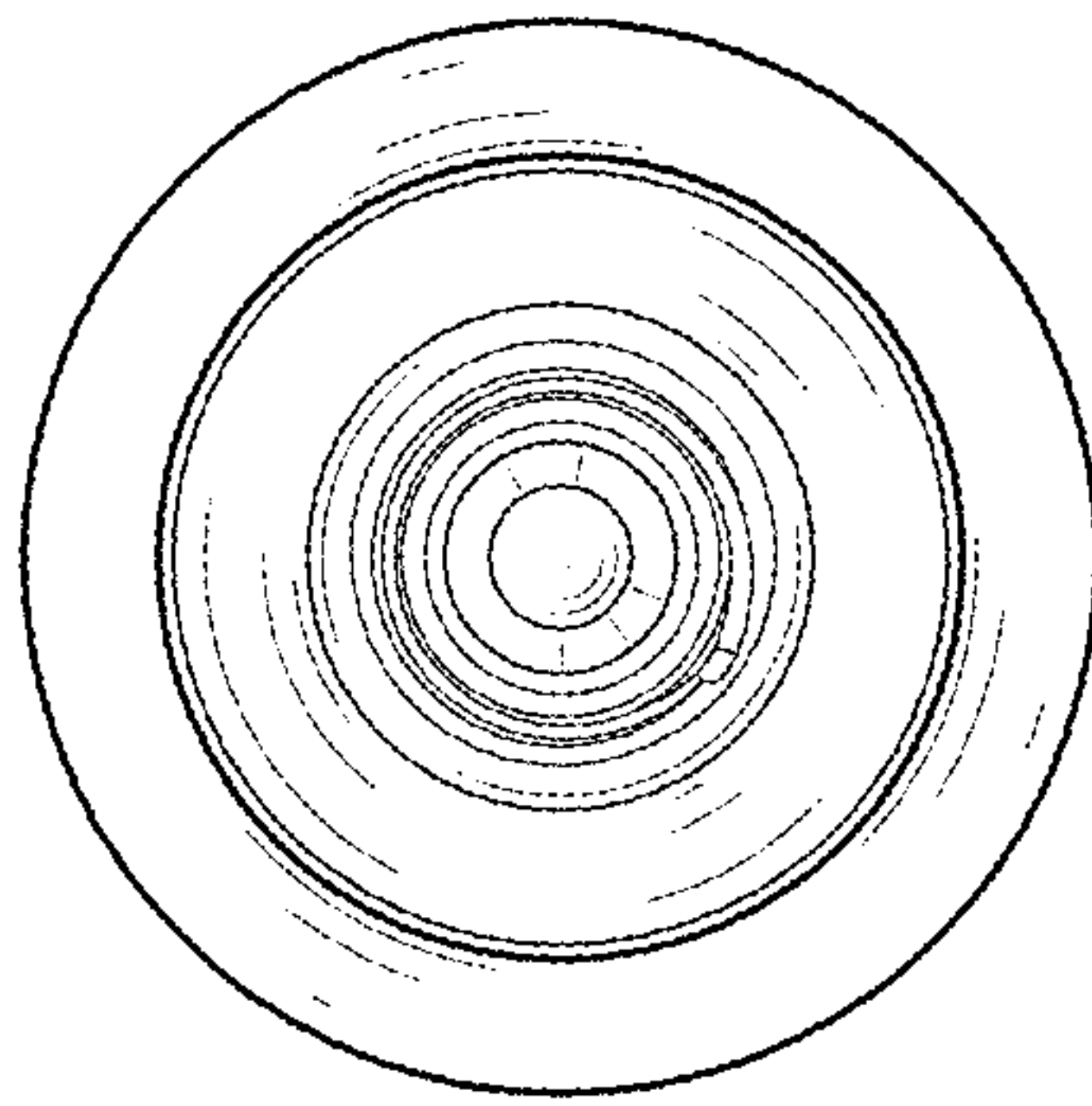


FIG. 8