



US00D687983S

(12) **United States Design Patent**
Guo et al.

(10) **Patent No.:** **US D687,983 S**

(45) **Date of Patent:** **** Aug. 13, 2013**

(54) **SOLID STATE LIGHTING SPOT**

(56) **References Cited**

(75) Inventors: **Qing Guo**, Shanghai (CN); **Wesley Xiaowei Li**, Shanghai (CN)

U.S. PATENT DOCUMENTS

D497,439 S *	10/2004	Shaw et al.	D26/2
D530,836 S *	10/2006	Johnson	D26/2
D535,408 S *	1/2007	Tseng	D26/24
D545,457 S *	6/2007	Chen	D26/2
D551,784 S *	9/2007	Krieglmeyer et al.	D26/2
D572,385 S *	7/2008	Mazzochette et al.	D26/2
D601,275 S *	9/2009	Ho et al.	D26/2

(73) Assignee: **Koninklijke Philips N.V.**, Eindhoven (NL)

(**) Term: **14 Years**

* cited by examiner

(21) Appl. No.: **29/414,509**

Primary Examiner — Marcus Jackson

(22) Filed: **Feb. 29, 2012**

(57) **CLAIM**

The ornamental design for a solid state lighting spot, as shown.

(30) **Foreign Application Priority Data**

DESCRIPTION

Sep. 1, 2011 (EM) 001911314-0001

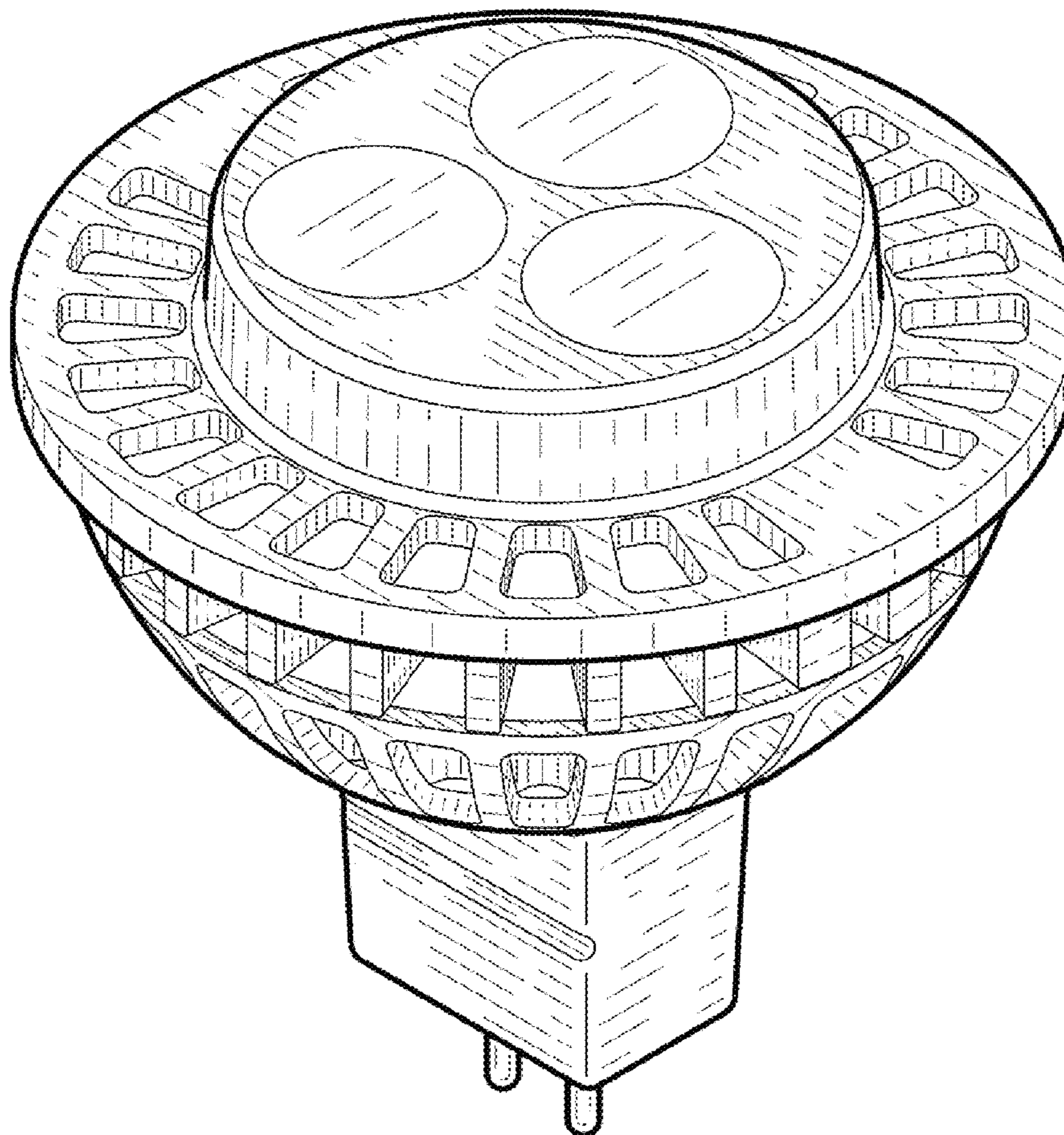
(51) **LOC (9) Cl.** **26-04**

(52) **U.S. Cl.**
USPC **D26/2**

(58) **Field of Classification Search**
USPC D26/1-4; 313/313, 315, 316, 317,
313/318, 493; 315/52, 53, 56, 57, 58
See application file for complete search history.

FIG. 1 is a perspective view showing my design;
FIG. 2 is a front elevational view thereof;
FIG. 3 is a rear elevational view thereof;
FIG. 4 is a right side elevational view thereof;
FIG. 5 is a left side elevational view thereof;
FIG. 6 is a top plan view thereof; and,
FIG. 7 is a bottom plan view thereof.

1 Claim, 3 Drawing Sheets



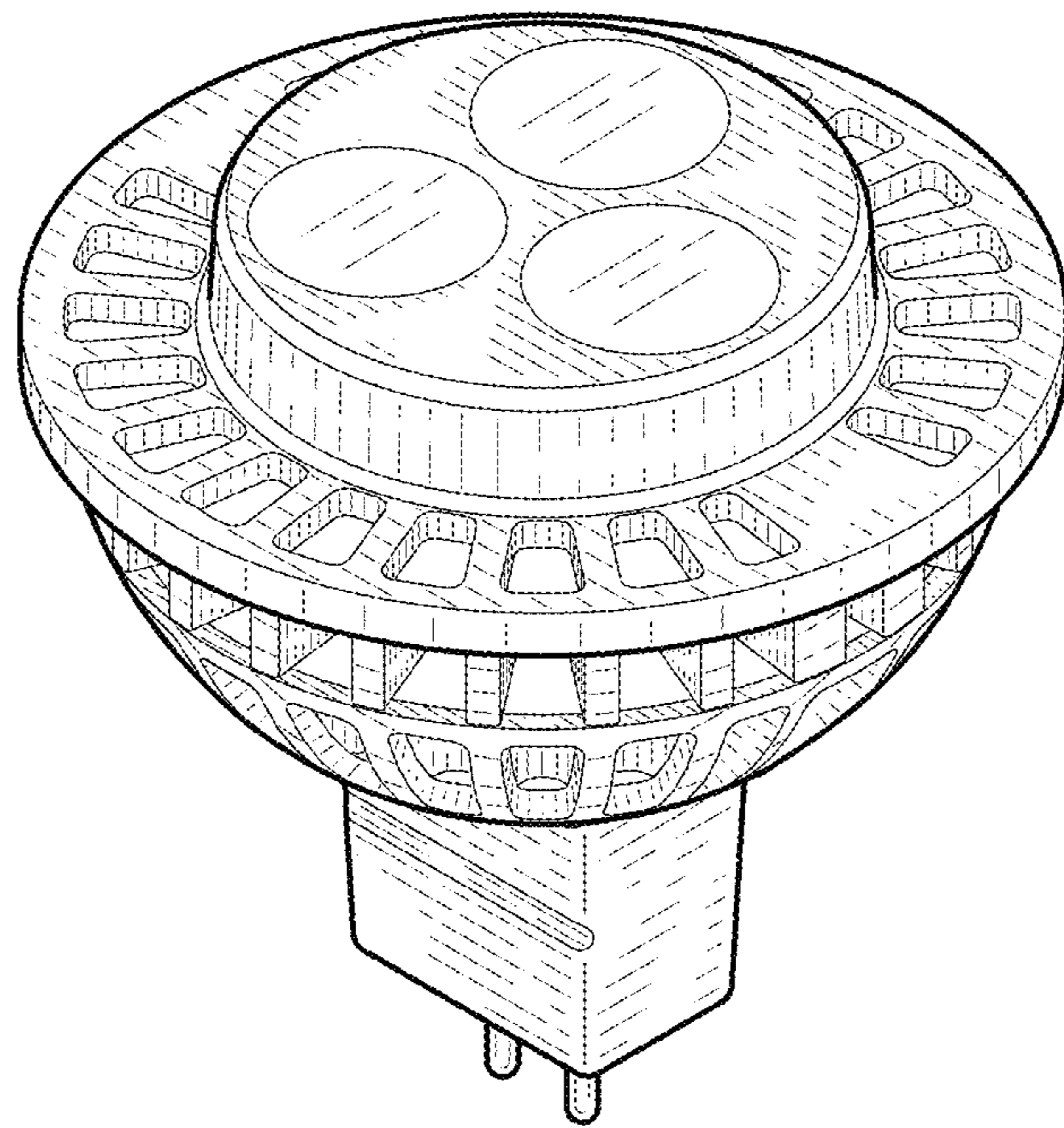


FIG.1

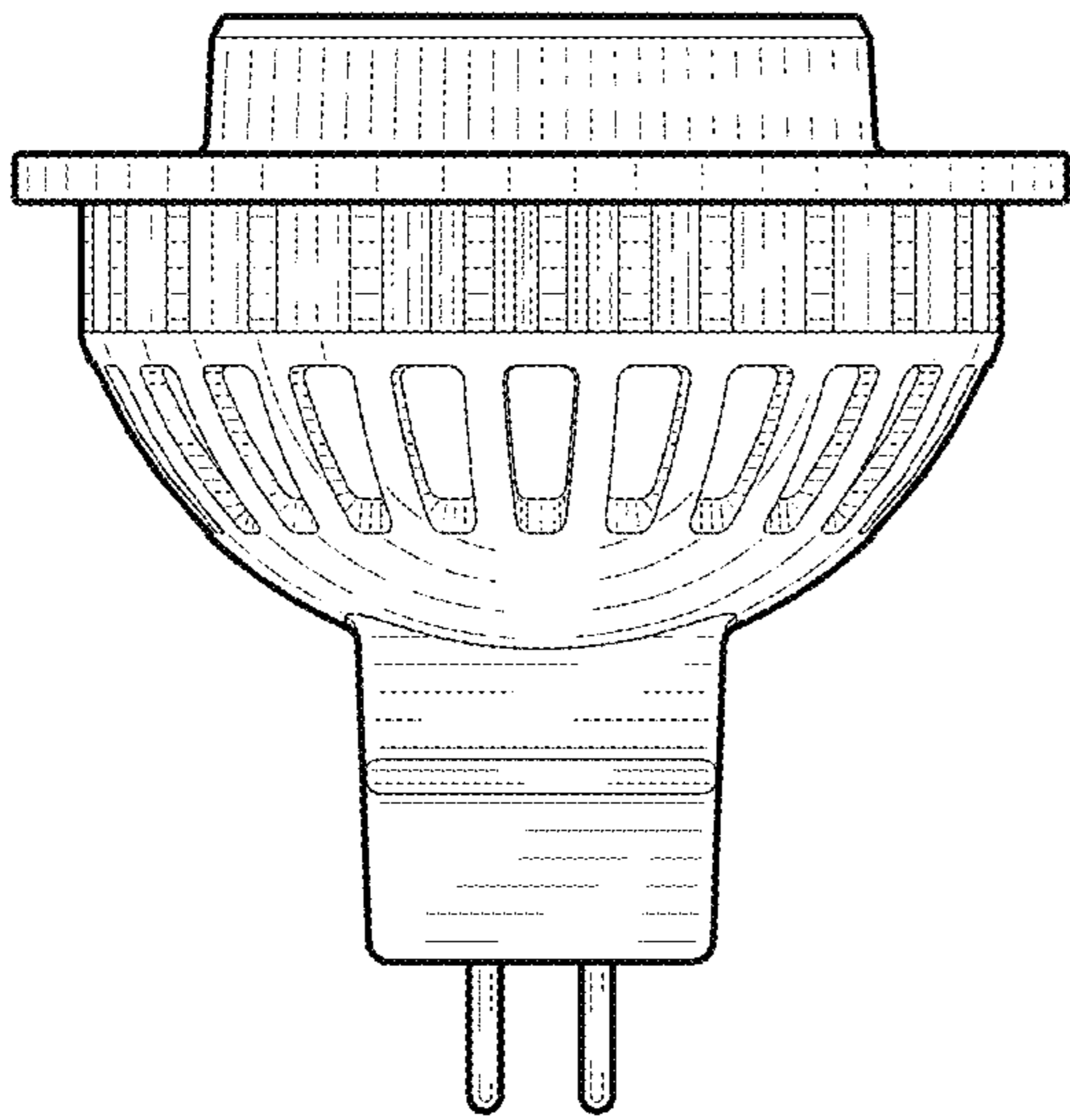


FIG. 2

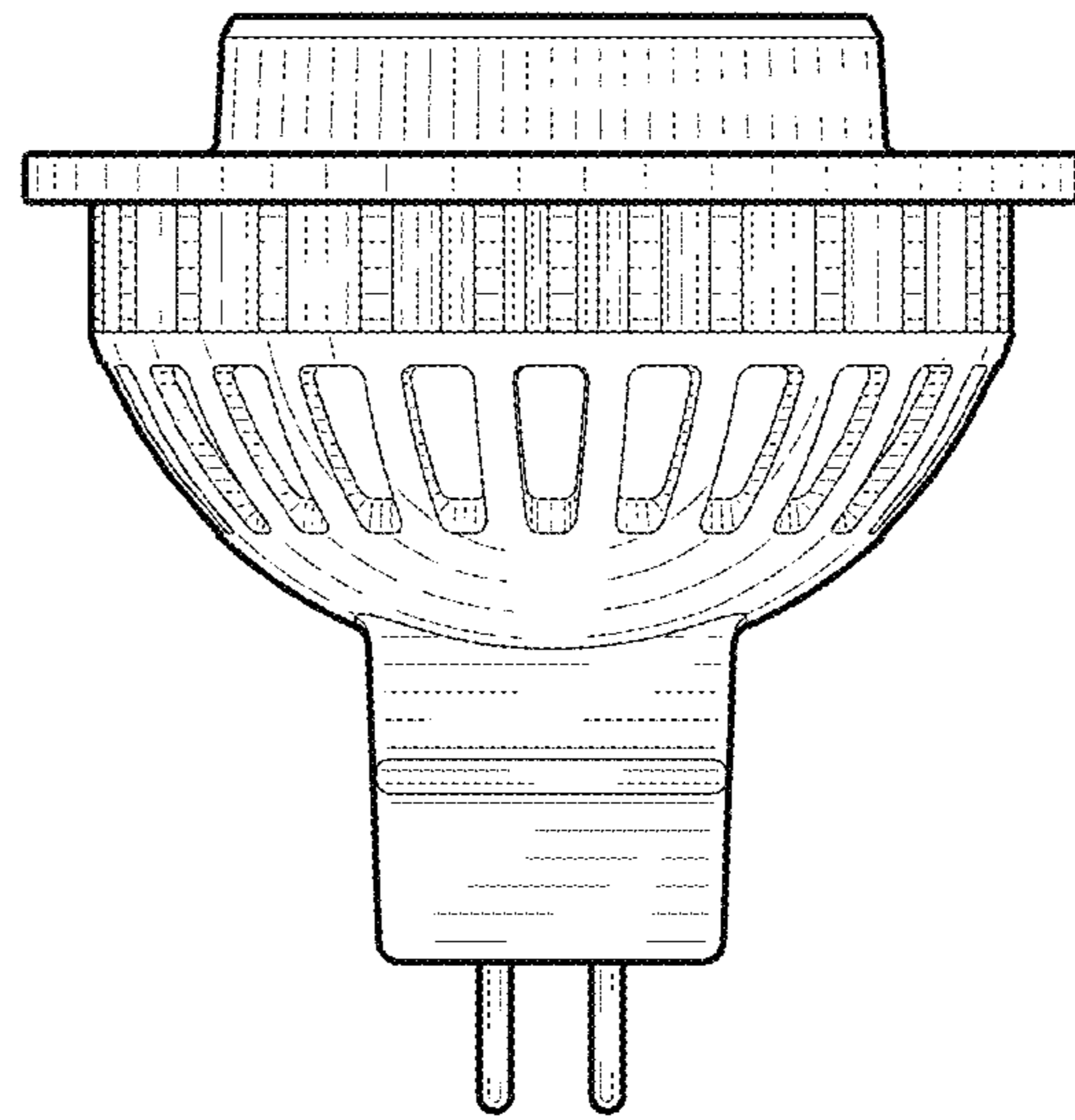


FIG. 3

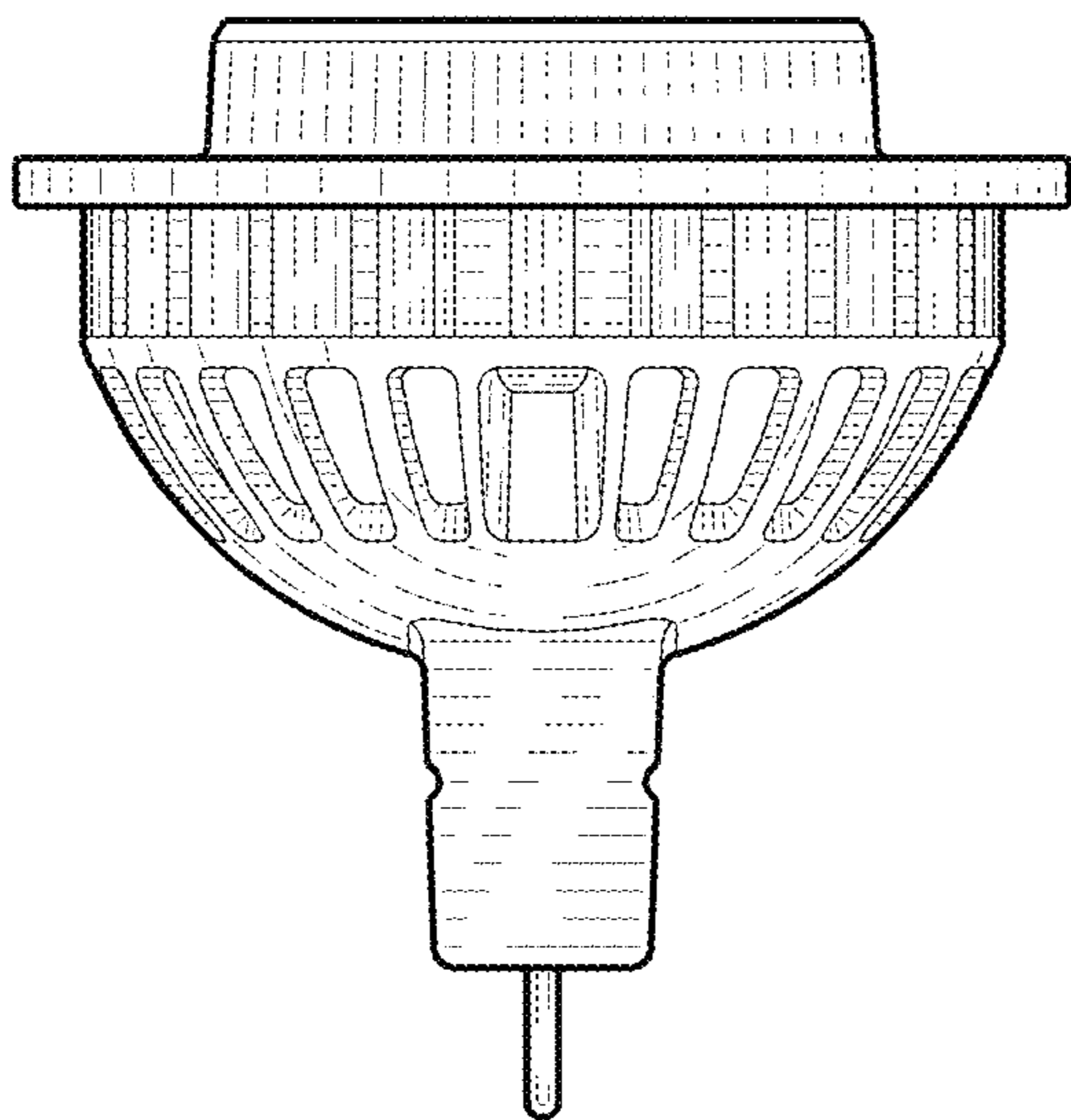


FIG. 4

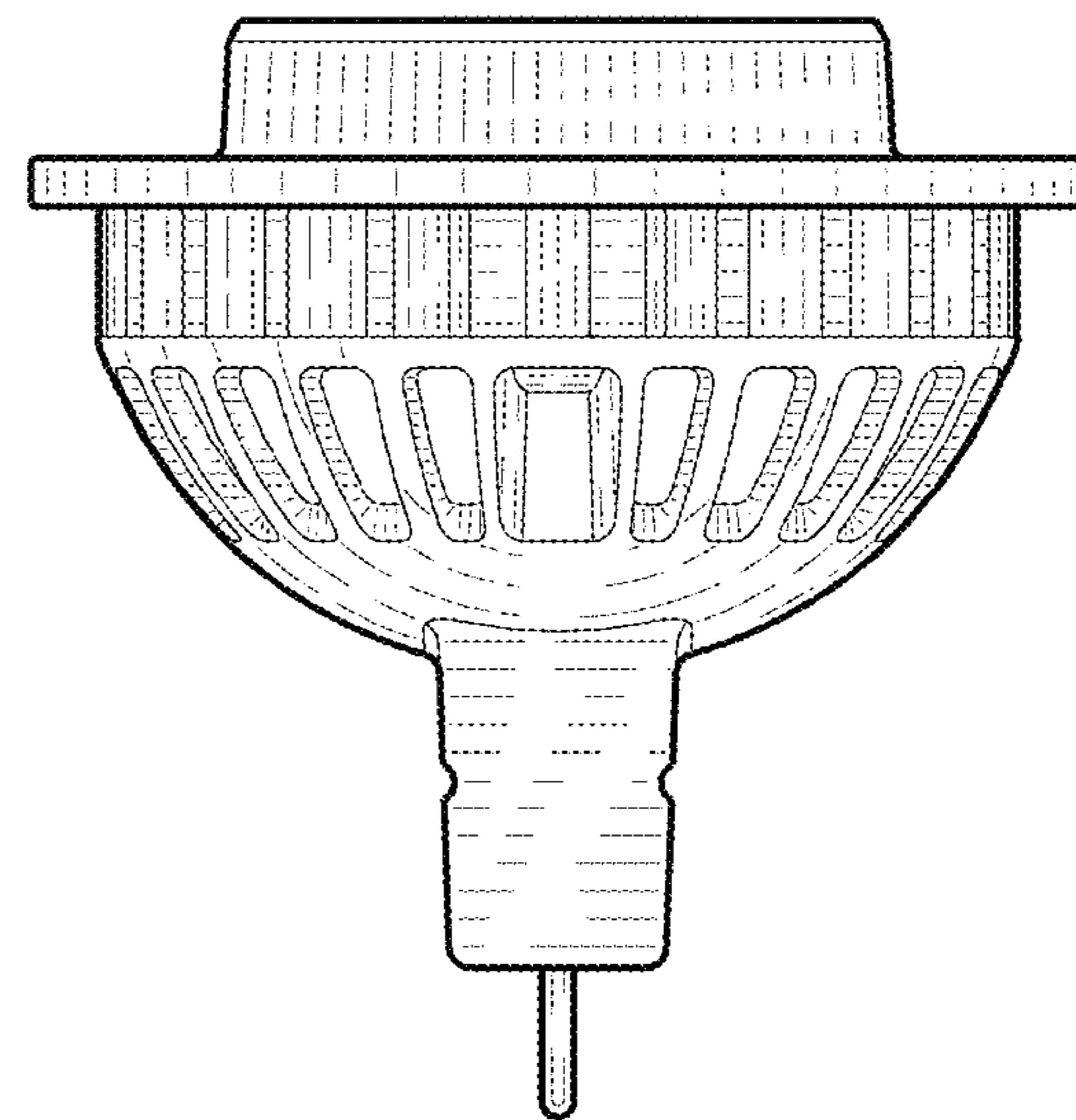


FIG. 5

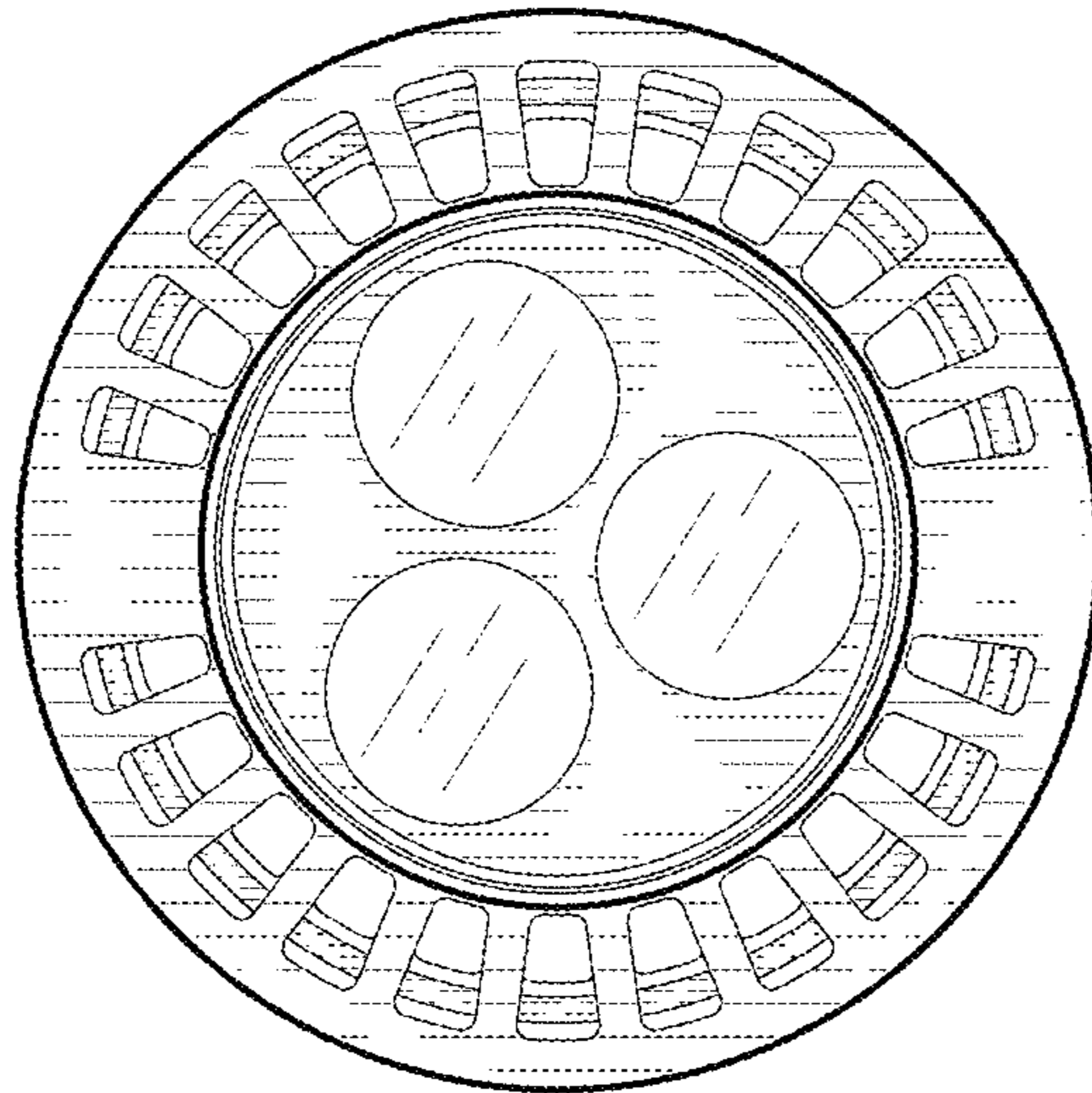


FIG. 6

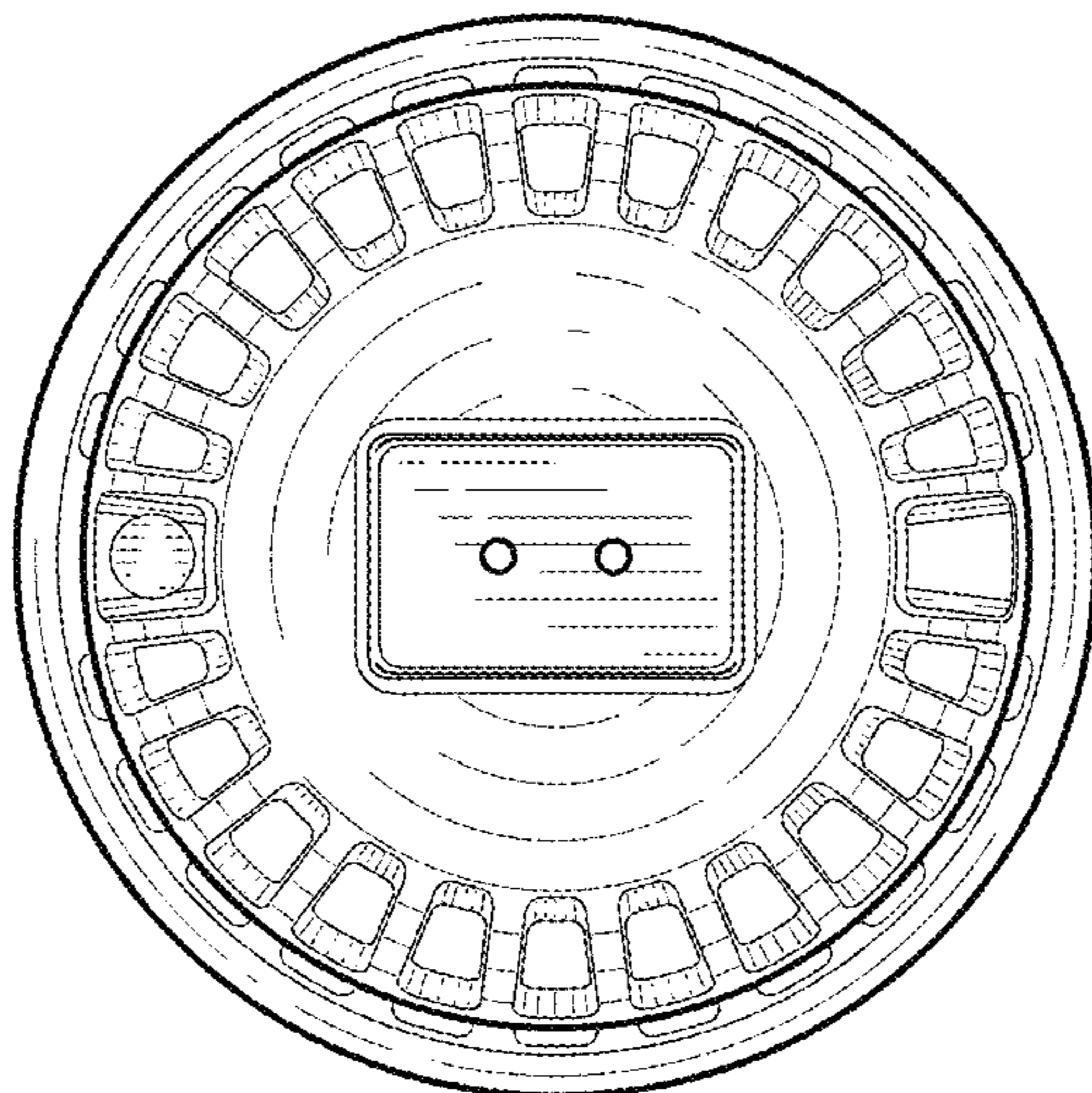


FIG. 7