



US00D687981S

(12) **United States Design Patent**  
**Tsai**

(10) **Patent No.:** **US D687,981 S**

(45) **Date of Patent:** **\*\* Aug. 13, 2013**

(54) **REAR LIGHT FOR A TRUCK**

(75) Inventor: **Hsi-Hsien Tsai**, Tainan (TW)

(73) Assignee: **Lucidity Enterprise Co., Ltd.**, Annan District, Tainan (TW)

(\*\*) Term: **14 Years**

(21) Appl. No.: **29/412,895**

(22) Filed: **Feb. 9, 2012**

(51) **LOC (9) Cl.** ..... **26-04**

(52) **U.S. Cl.**  
USPC ..... **D26/2**

(58) **Field of Classification Search**  
USPC ..... D26/28-36; 362/459-468, 475-478,  
362/485-487

See application file for complete search history.

(56) **References Cited**

U.S. PATENT DOCUMENTS

D549,363 S \* 8/2007 Pfeiffer ..... D26/28  
D550,380 S \* 9/2007 Lin ..... D26/28

D560,292 S \* 1/2008 Sato ..... D26/28  
D561,357 S \* 2/2008 Leclercq ..... D26/28  
D570,015 S \* 5/2008 Hsu ..... D26/28  
D629,936 S \* 12/2010 Levy et al. .... D26/28

\* cited by examiner

*Primary Examiner* — Marcus Jackson

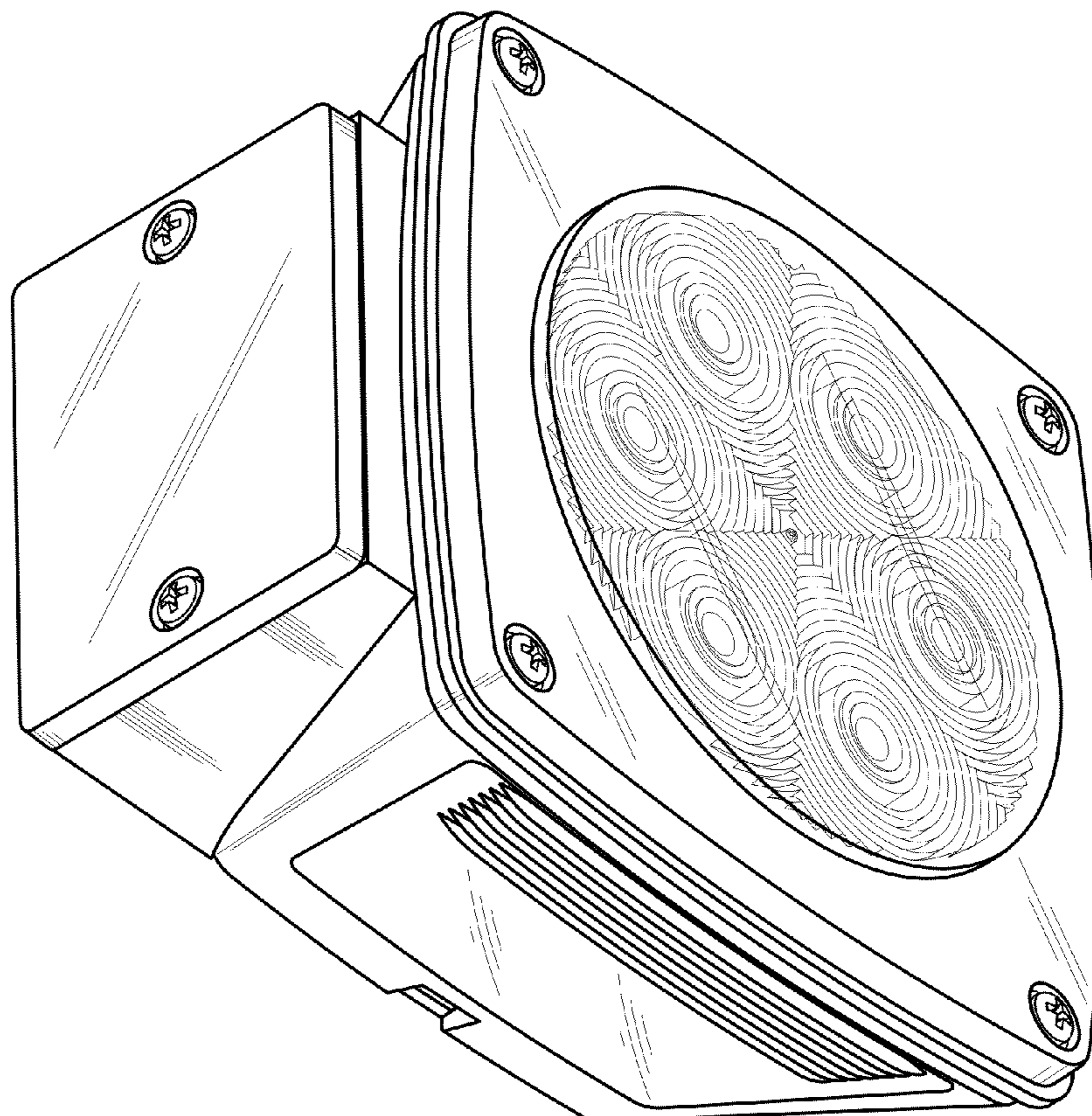
(57) **CLAIM**

The ornamental design for a rear light for a truck, as shown and described.

**DESCRIPTION**

FIG. 1 is a perspective view of a rear light for a truck showing my design;  
FIG. 2 is a front elevational view thereof;  
FIG. 3 is a rear elevational view thereof;  
FIG. 4 is a left side elevational view thereof;  
FIG. 5 is a right side elevational view thereof;  
FIG. 6 is a top plan view thereof; and,  
FIG. 7 is a bottom plan view thereof.

**1 Claim, 7 Drawing Sheets**



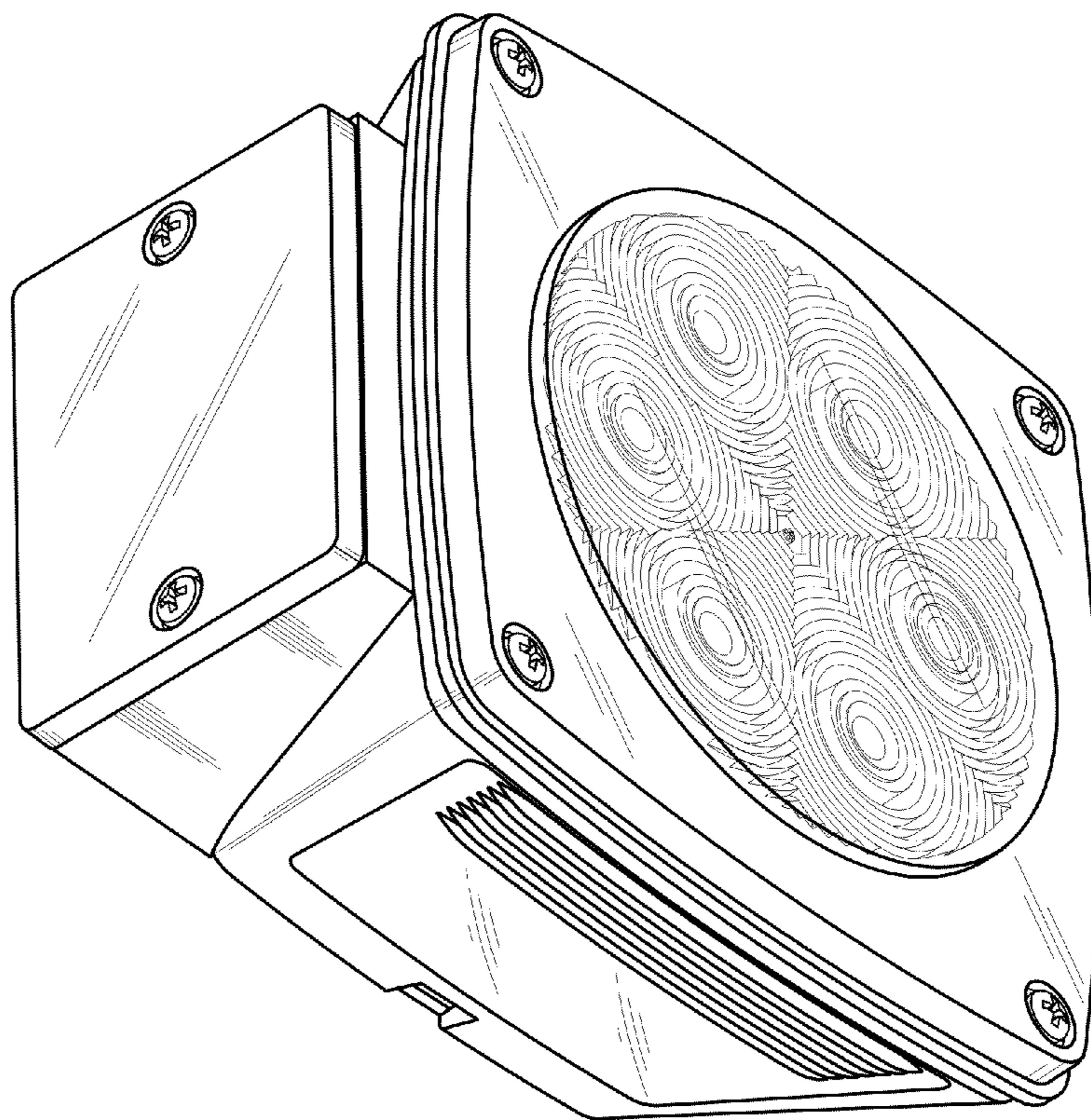


FIG.1

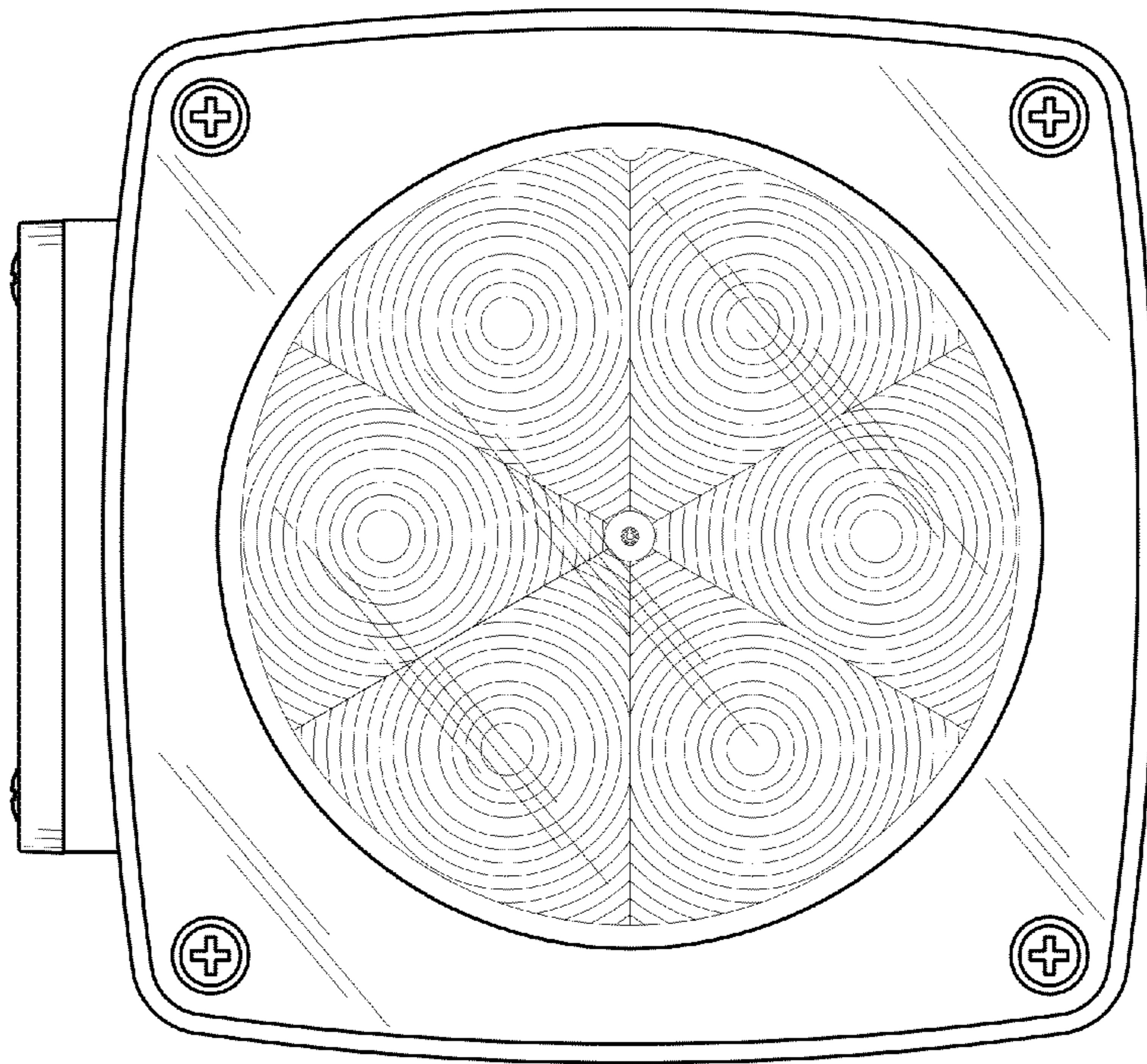


FIG.2



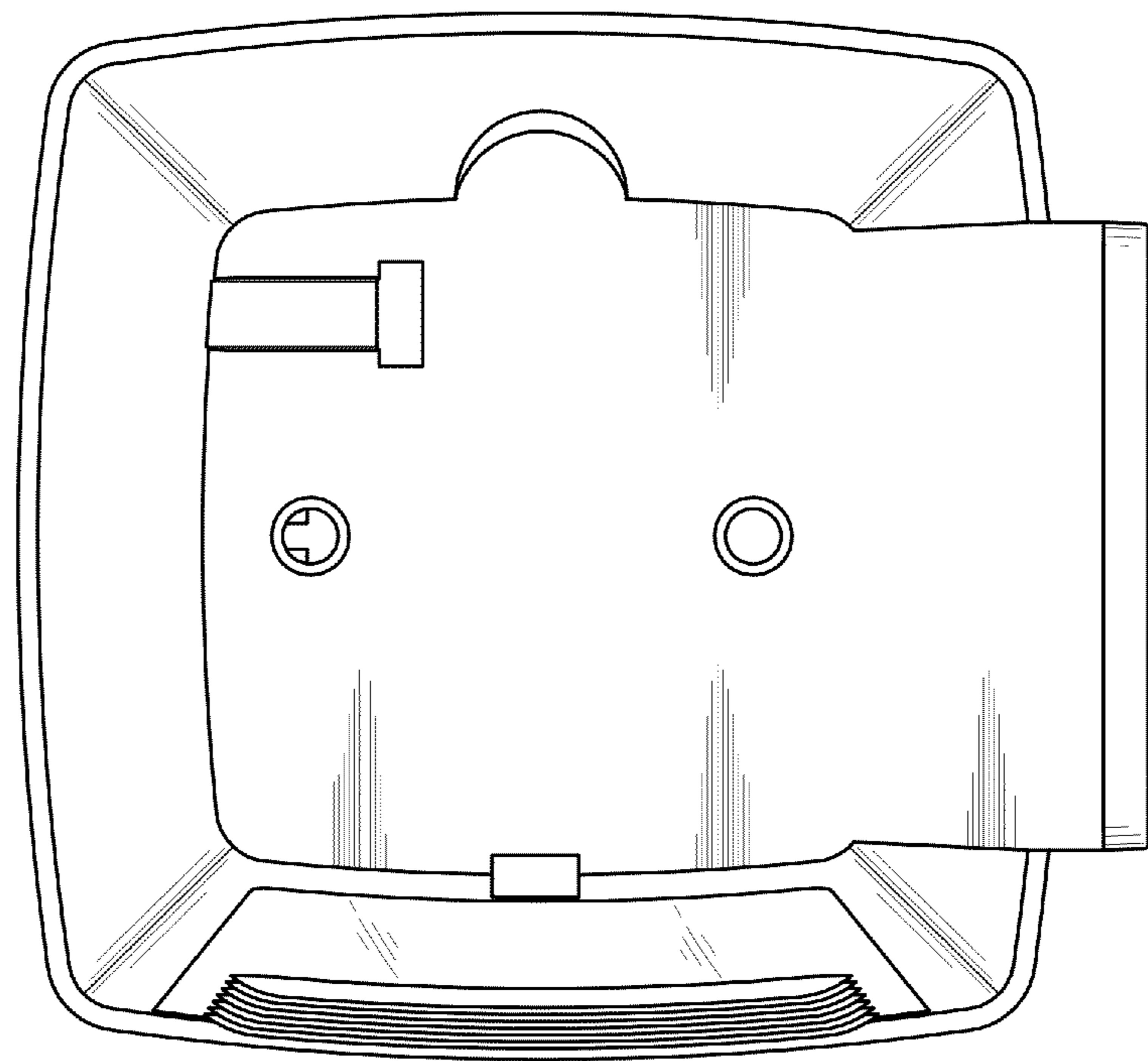


FIG.3

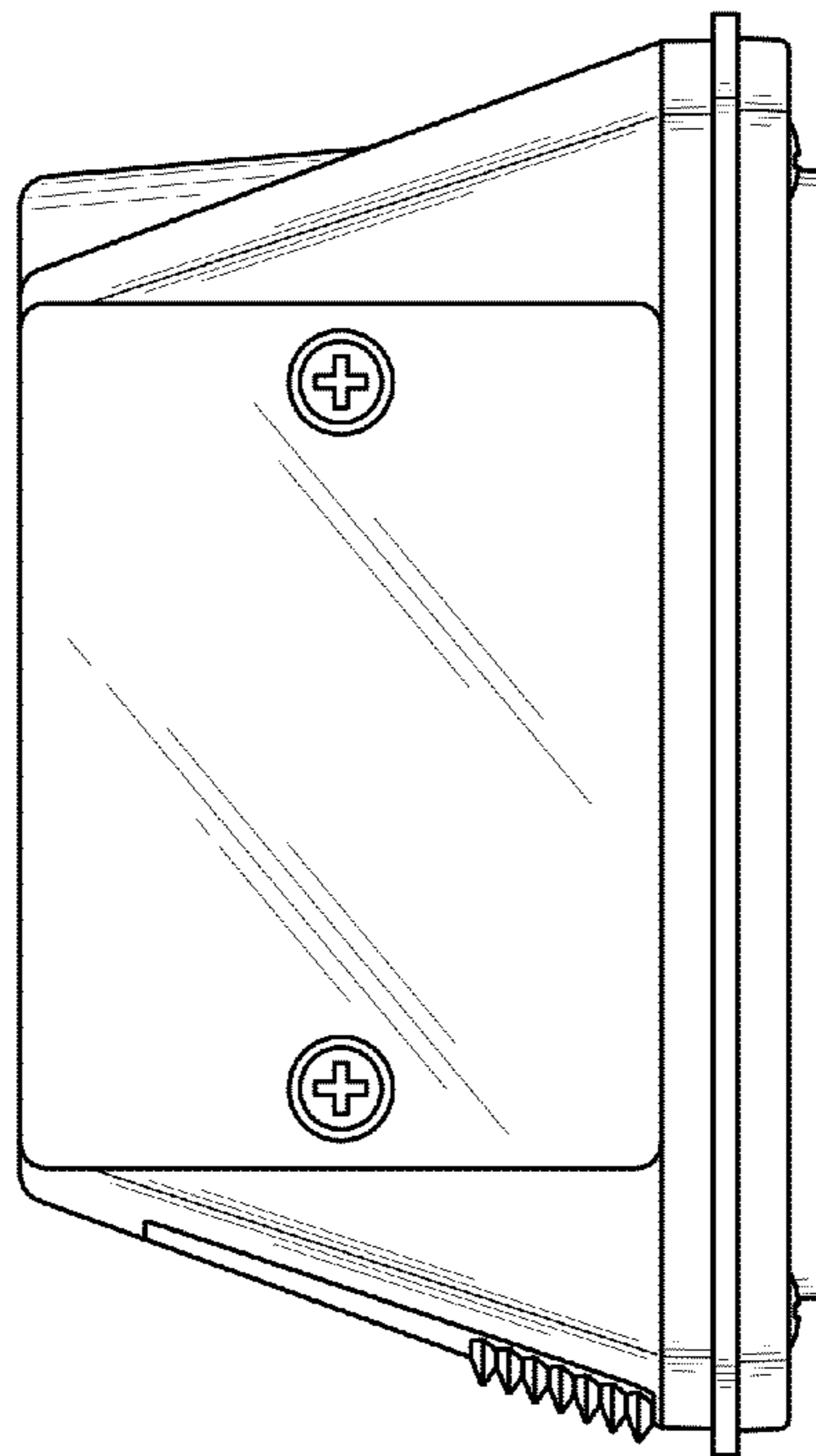


FIG.4

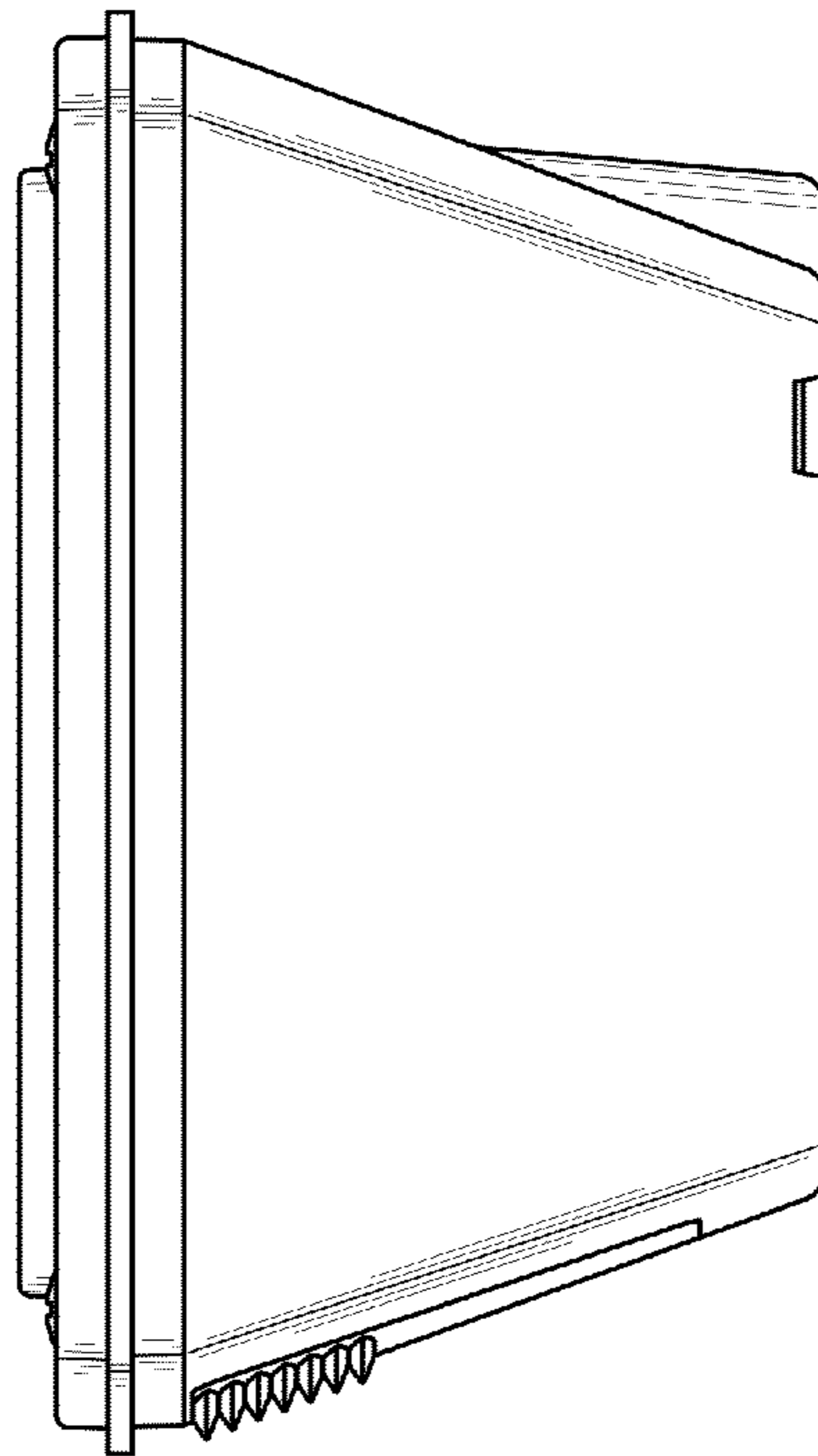


FIG.5

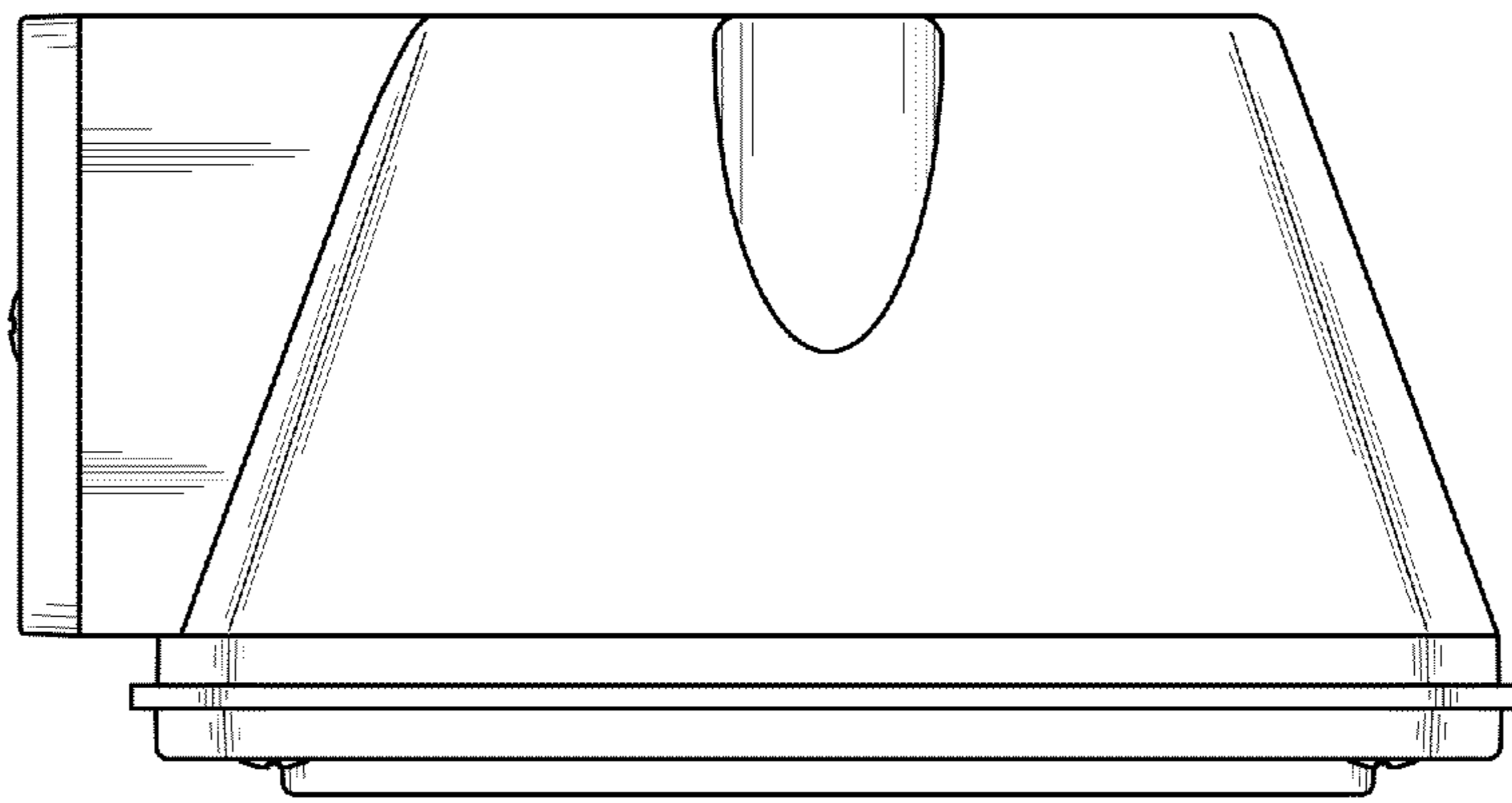


FIG.6

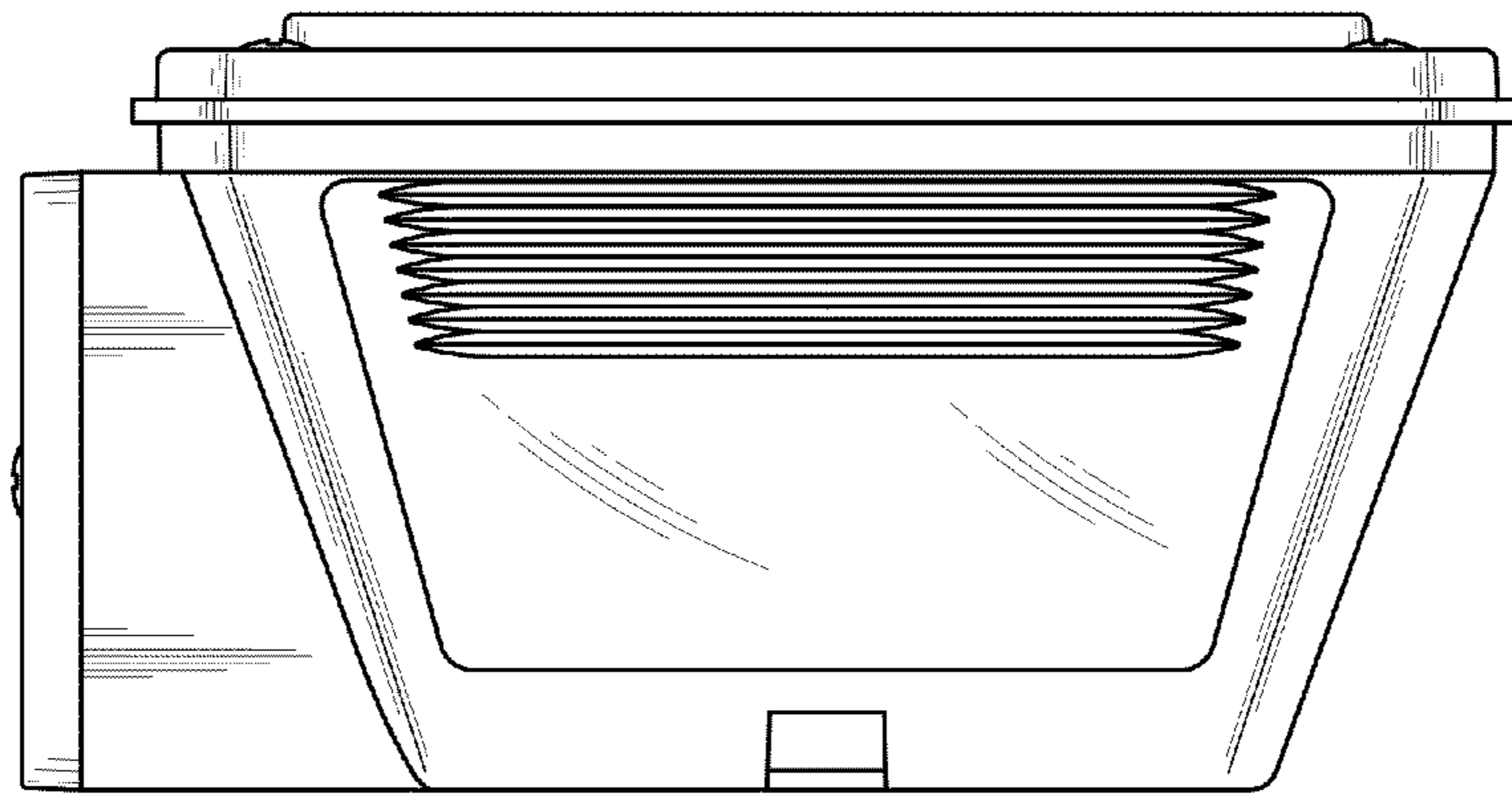


FIG.7