



US00D687980S

(12) **United States Design Patent**
Gravely et al.

(10) **Patent No.:** **US D687,980 S**

(45) **Date of Patent:** **** Aug. 13, 2013**

(54) **LED LIGHT**

(75) Inventors: **Deborah R. Gravely**, Martinsville, VA (US); **Kurt Douglas Roberts**, Raleigh, NC (US)

(73) Assignee: **E. I. du Pont de Nemours and Company**, Wilmington, DE (US)

(**) Term: **14 Years**

(21) Appl. No.: **29/412,126**

(22) Filed: **Jan. 31, 2012**

(51) **LOC (9) Cl.** **26-04**

(52) **U.S. Cl.**
USPC **D26/2**

(58) **Field of Classification Search**
USPC D26/1-4; 313/313, 315, 316, 317, 313/318, 493; 315/52, 53, 56, 57, 58
See application file for complete search history.

(56) **References Cited**

U.S. PATENT DOCUMENTS

5,769,533	A	6/1998	Yamuro et al.	
5,920,643	A	7/1999	White et al.	
6,183,104	B1	2/2001	Ferrara	
6,290,713	B1	9/2001	Russell	
6,502,968	B1	1/2003	Simon	
7,086,756	B2	8/2006	Maxik	
D532,532	S	11/2006	Maxik	
7,201,511	B2	4/2007	Moriyama et al.	
7,210,818	B2	5/2007	Luk et al.	
7,284,882	B2	10/2007	Burkholder	
D626,666	S *	11/2010	Yamamoto et al.	D26/2
D627,493	S *	11/2010	Yamamoto et al.	D26/2
D628,312	S *	11/2010	Yamamoto et al.	D26/2
D628,318	S *	11/2010	Yamamoto et al.	D26/2
D628,722	S *	12/2010	Yamamoto et al.	D26/2
D646,810	S	10/2011	Takeuchi et al.	

D646,811	S	10/2011	Takeuchi et al.
D647,222	S	10/2011	Le et al.
D648,472	S	11/2011	Lin et al.
D648,477	S	11/2011	Kim et al.

(Continued)

FOREIGN PATENT DOCUMENTS

WO WO 2009/073670 A1 6/2009

OTHER PUBLICATIONS

U.S. Appl. No. 13/326,629, filed Dec. 15, 2011, Roberts.
U.S. Appl. No. 13/326,623, filed Dec. 15, 2011, Roberts.

(Continued)

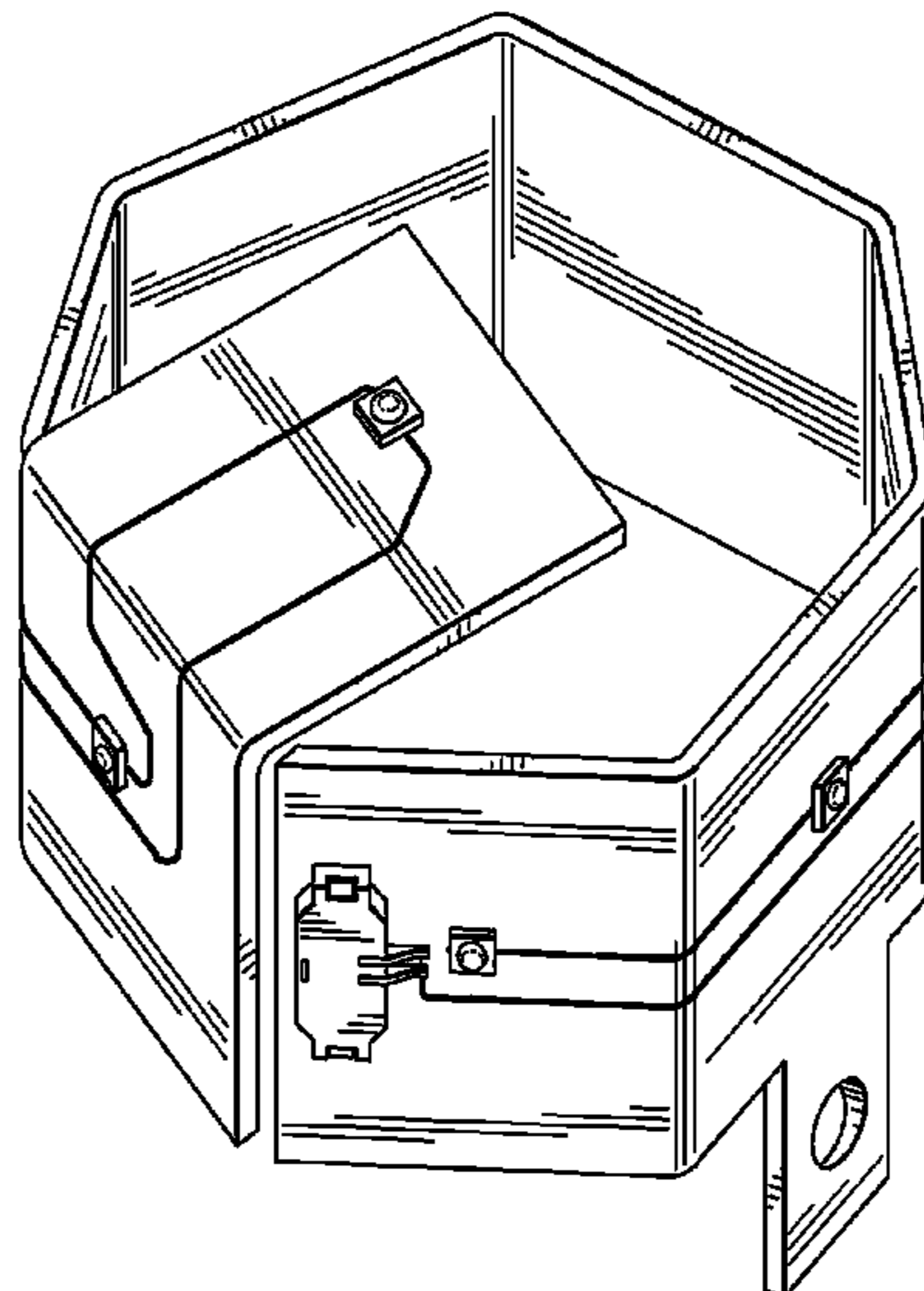
Primary Examiner — Marcus Jackson

(57) **CLAIM**
The ornamental design for an LED light, as shown described.

DESCRIPTION

FIG. 1 - is a perspective view of an LED light.
FIG. 2 - is a top plan view thereof.
FIG. 3 - is a side elevation view taken at section 3 - 3 in FIG. 2.
FIG. 4 - is a side elevation view taken at section 4 - 4 in FIG. 2.
FIG. 5 - is a side elevation view taken at section 5 - 5 in FIG. 2.
FIG. 6A - is a side view thereof shown in application.
FIG. 6B - is a top view thereof taken at section 6B - 6B in FIG. 6A.
FIG. 7 - is a side view of one embodiment shown in application; and,
FIG. 8 - is a side view of another embodiment shown in application.
The broken lines in the drawings are for illustrating the LED light in environment and form no part of the claimed design.

1 Claim, 7 Drawing Sheets



(56)

References Cited

U.S. PATENT DOCUMENTS

D666,335 S * 8/2012 Kim et al. D26/2
2004/0160768 A1 8/2004 Cok
2005/0174769 A1 8/2005 Yong et al.
2009/0226656 A1 9/2009 Crandell et al.

OTHER PUBLICATIONS

U.S. Appl. No. 13/326,619, filed Dec. 15, 2011, Roberts.
U.S. Appl. No. 29/412,127, filed Jan. 31, 2012, Gravely et al.
Strategies In Light 2011, Santa Clara Convention Center, Santa Clara, CA, Feb. 22-24, 2011.

* cited by examiner

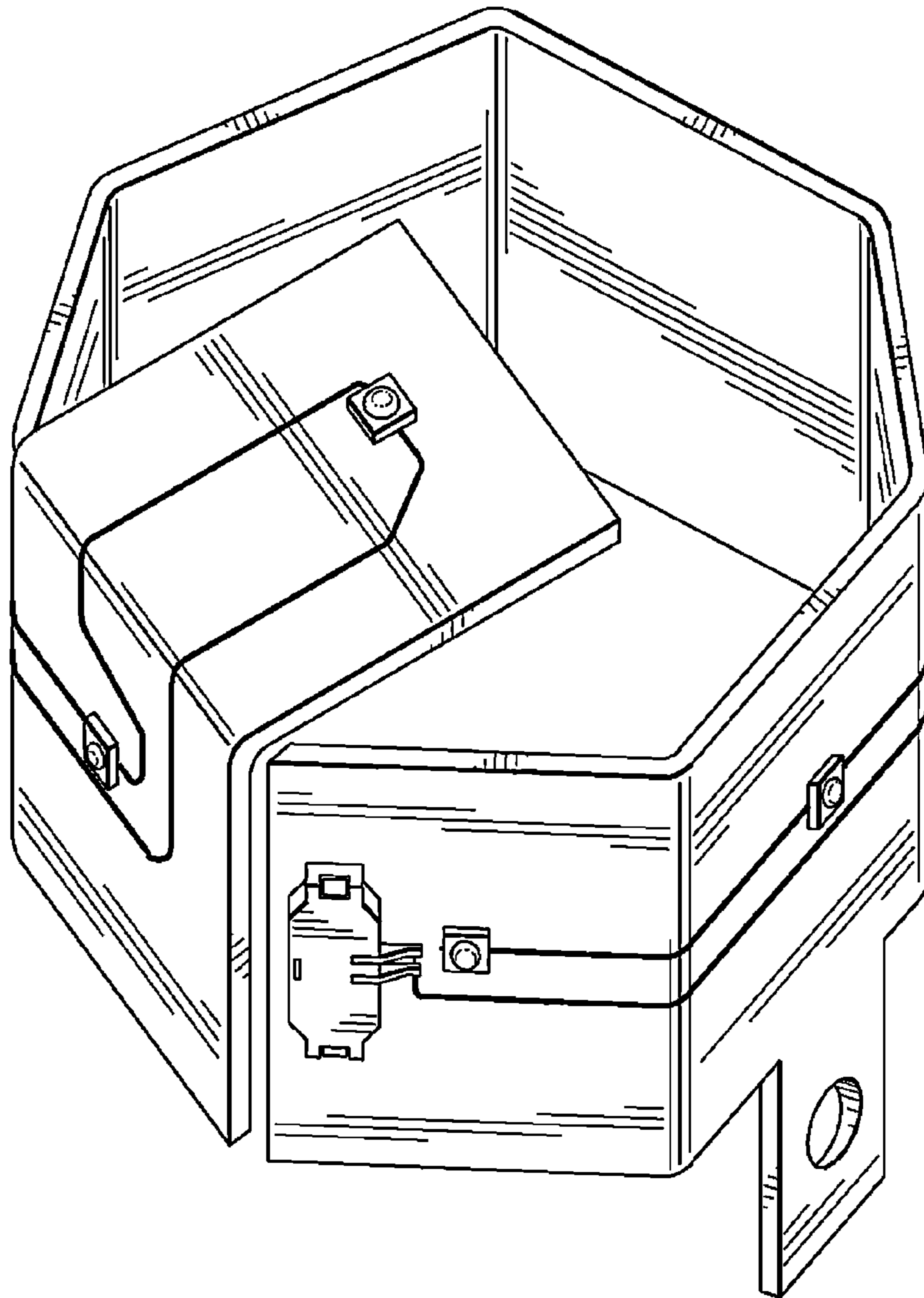


FIG. 1

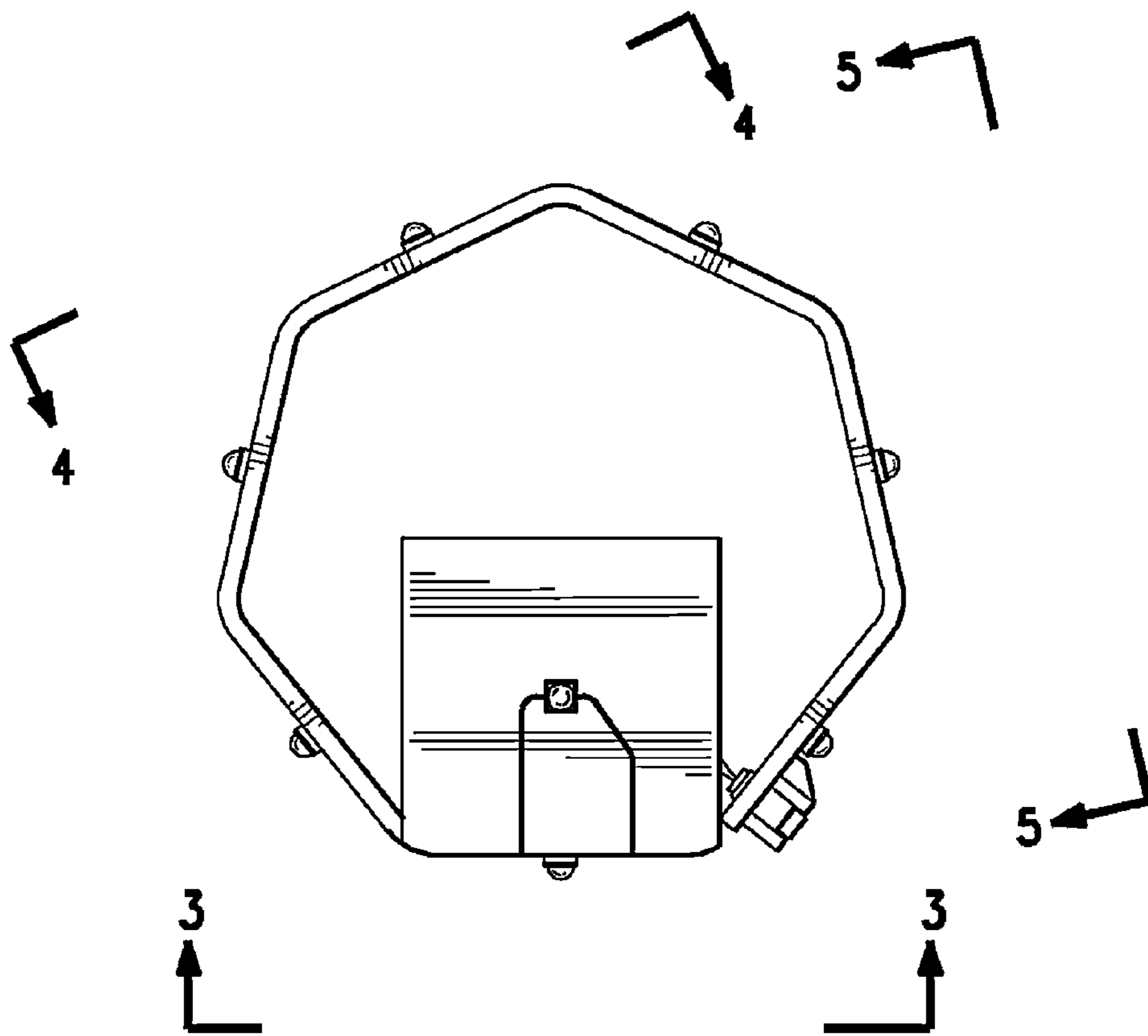


FIG. 2

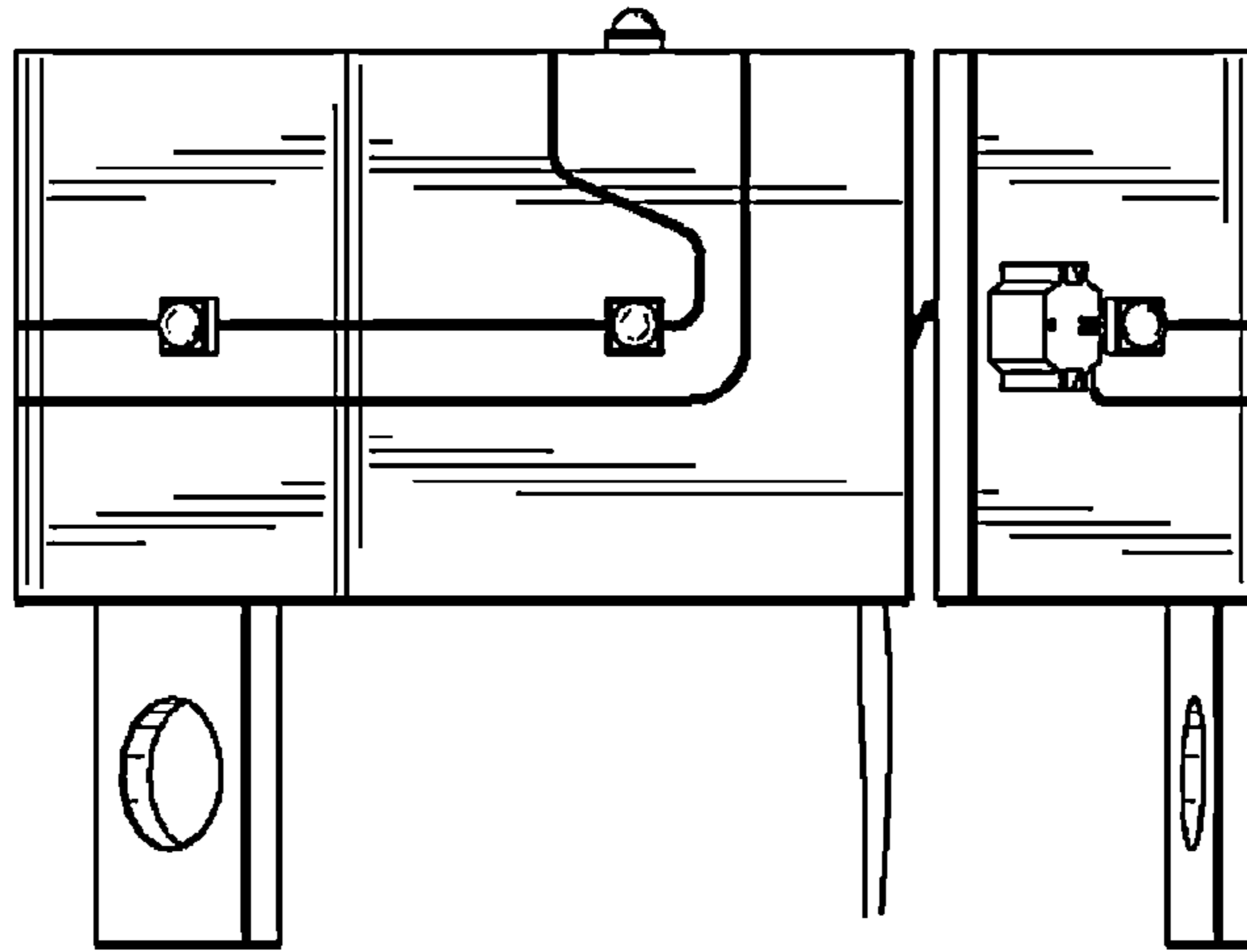


FIG. 3

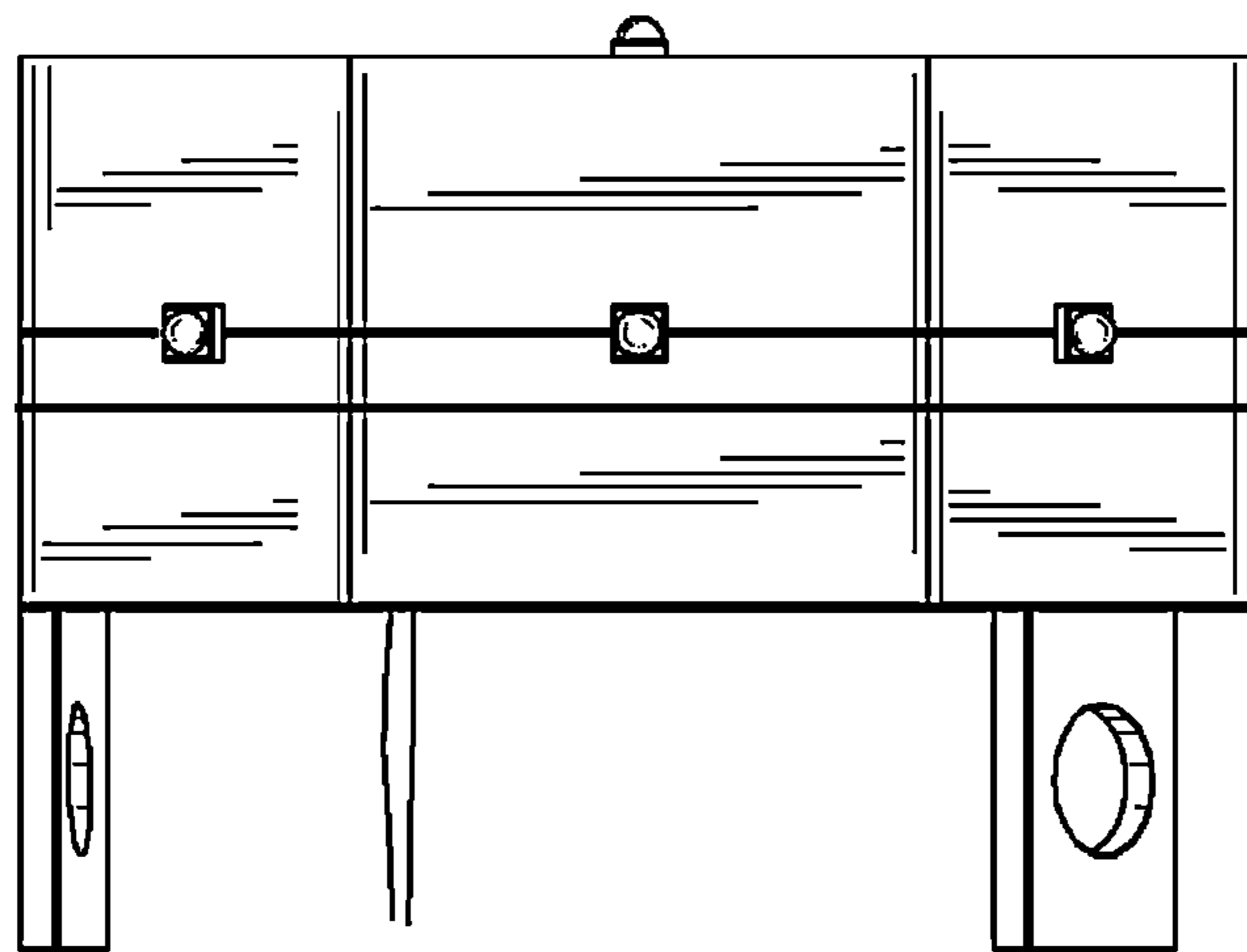


FIG. 4

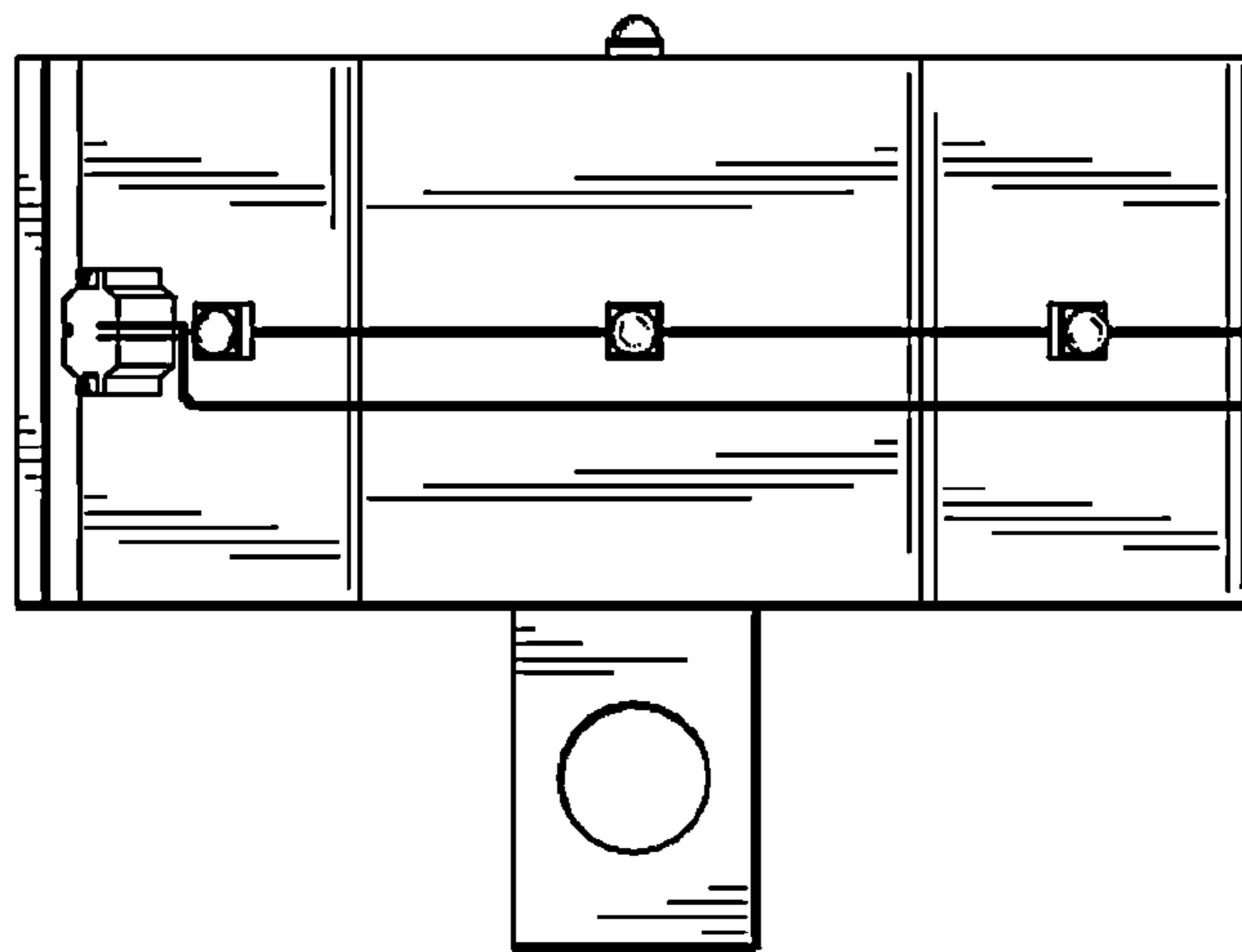


FIG. 5

FIG. 6A

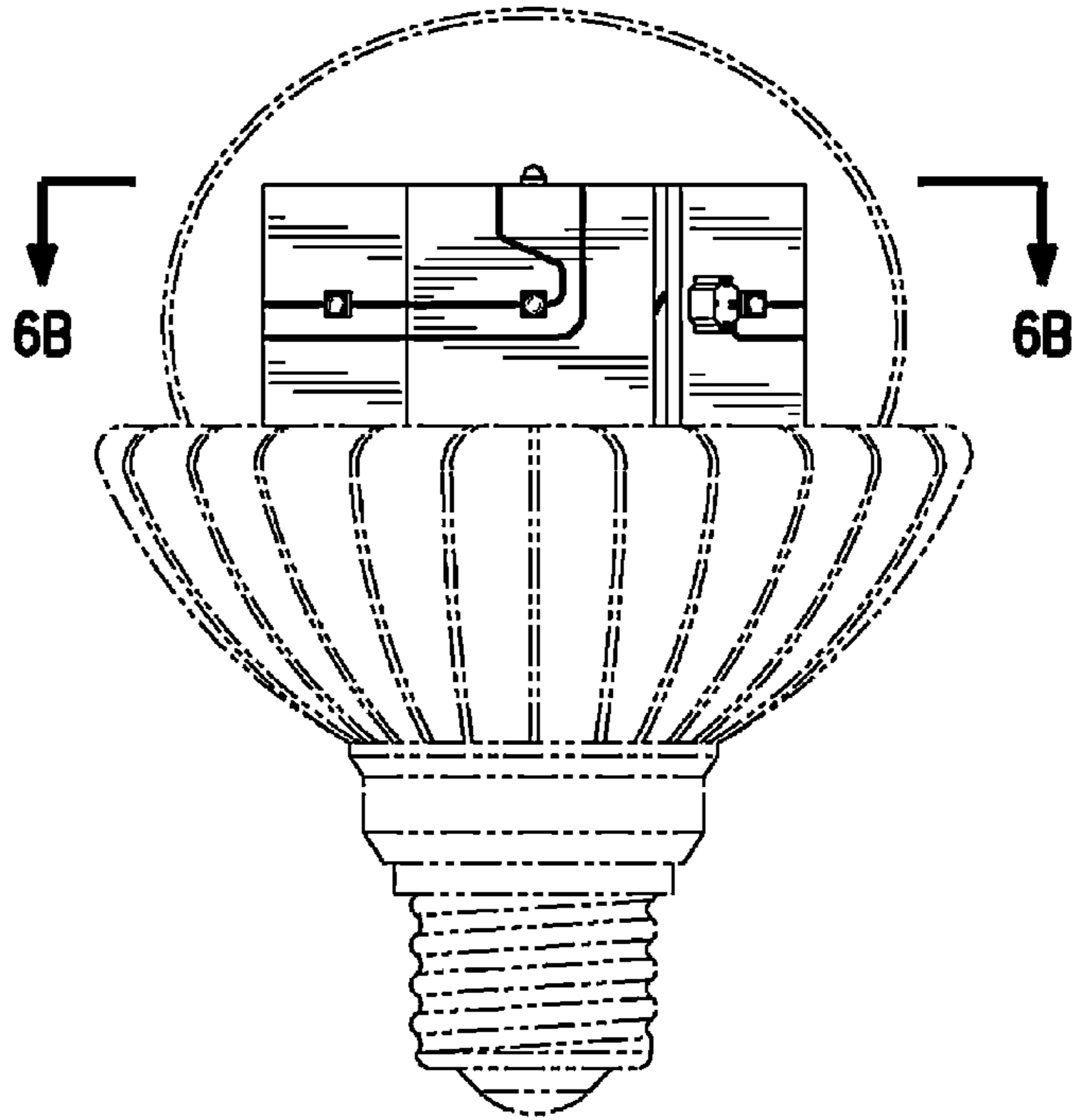
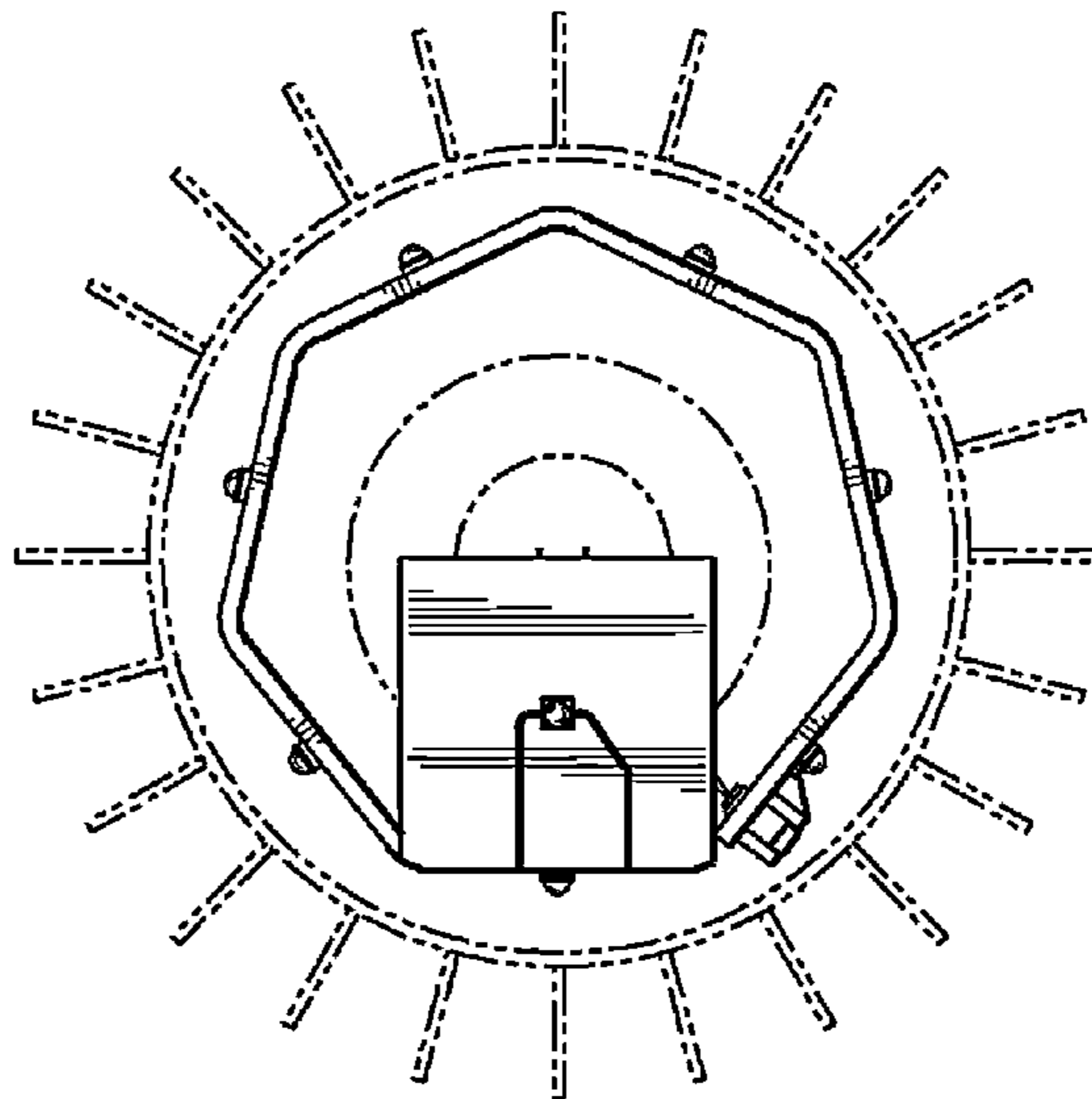


FIG. 6B



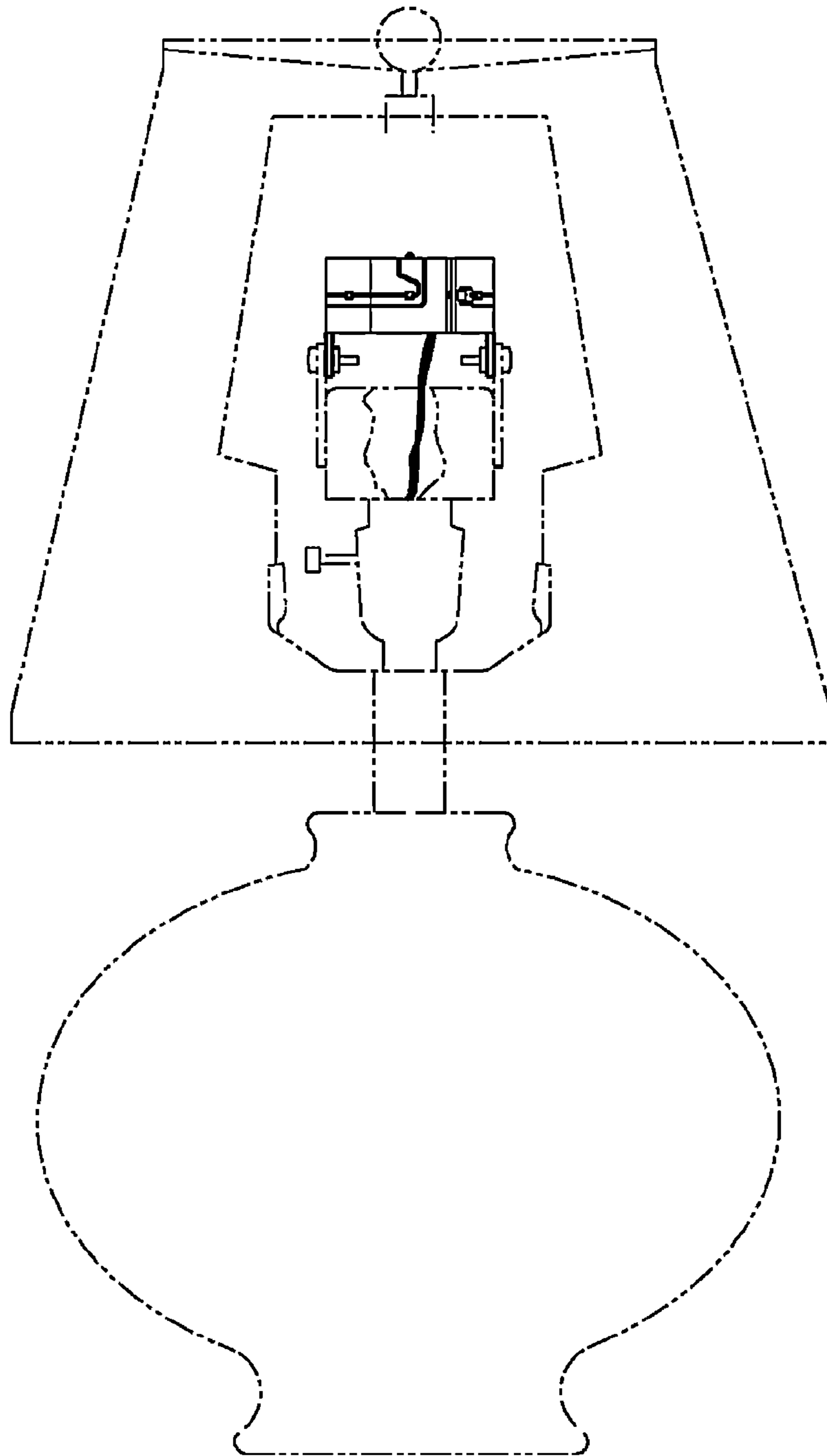


FIG. 7

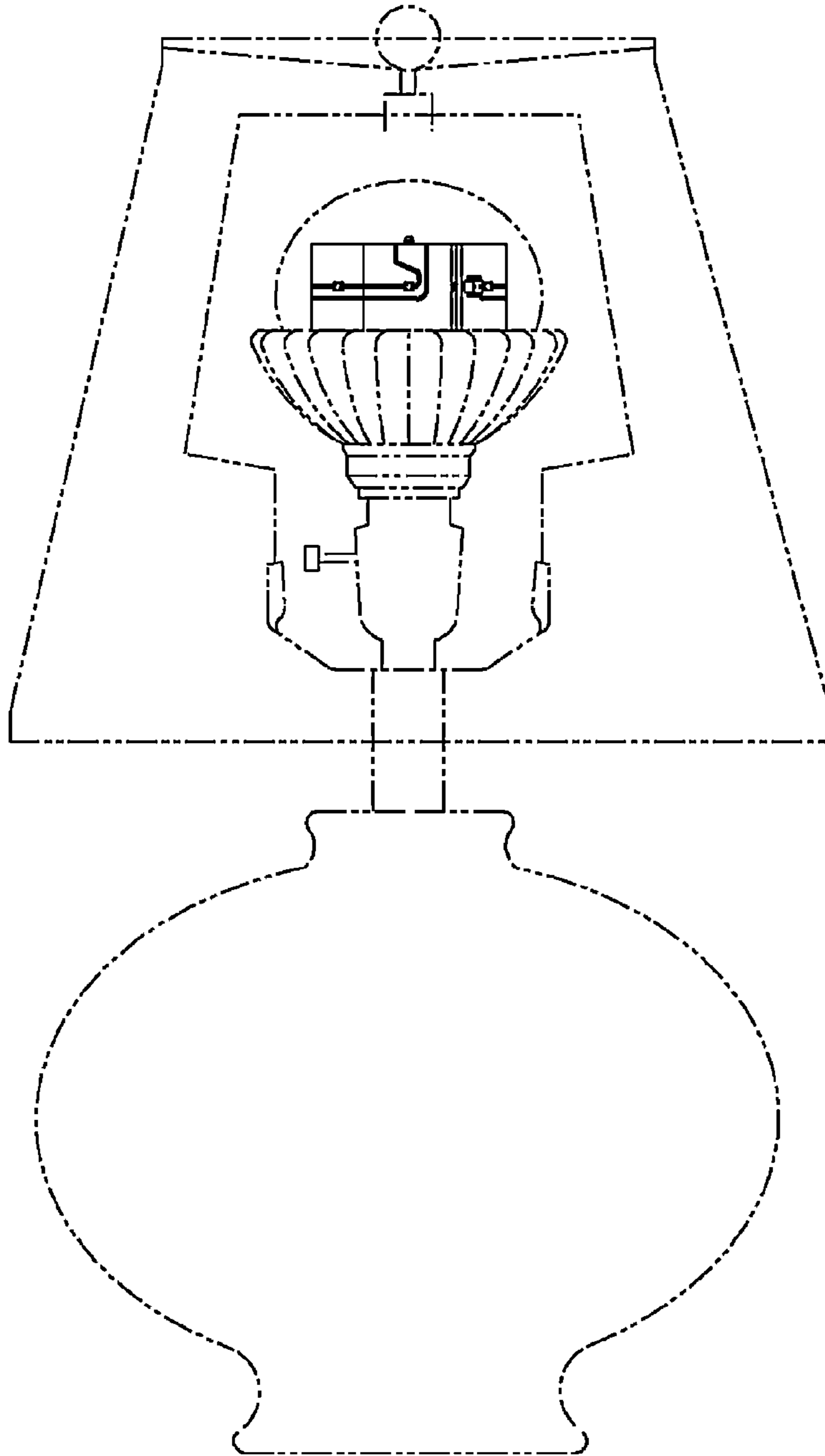


FIG. 8