



US00D687977S

(12) **United States Design Patent**
Griffiths

(10) **Patent No.:** **US D687,977 S**
(45) **Date of Patent:** **** Aug. 13, 2013**

- (54) **WALL PANEL**
- (71) Applicant: **Robert T. Griffiths**, Elk River, MN (US)
- (72) Inventor: **Robert T. Griffiths**, Elk River, MN (US)
- (73) Assignee: **Firestone Building Products Company, LLC**, Indianapolis, IN (US)
- (**) Term: **14 Years**
- (21) Appl. No.: **29/443,131**
- (22) Filed: **Jan. 14, 2013**

3,733,232 A 5/1973 Payne
 3,906,696 A 9/1975 Poter et al.
 4,176,503 A 12/1979 Ting

(Continued)

FOREIGN PATENT DOCUMENTS

EP 0 056 031 5/1984
 EP 1 201 843 2/2007

(Continued)

OTHER PUBLICATIONS

Sweet's General Building & Renovation Catalog File, Thermal & Moisture Protection, 1998, p. 1-2, vol. 7.

(Continued)

Related U.S. Application Data

- (62) Division of application No. 29/429,704, filed on Aug. 15, 2012, now Pat. No. Des. 677,402, which is a division of application No. 29/388,701, filed on Mar. 31, 2011, now Pat. No. Des. 668,353.
- (51) **LOC (9) Cl.** **25-01**
- (52) **U.S. Cl.**
USPC **D25/119; D25/141**
- (58) **Field of Classification Search**
USPC D25/141, 119; 52/588.1, 478, 537,
52/235, 309.14, 518, 555
See application file for complete search history.

Primary Examiner — Doris Clark

(74) *Attorney, Agent, or Firm* — Jason A. Houser; Fay Sharpe LLP

(57) **CLAIM**

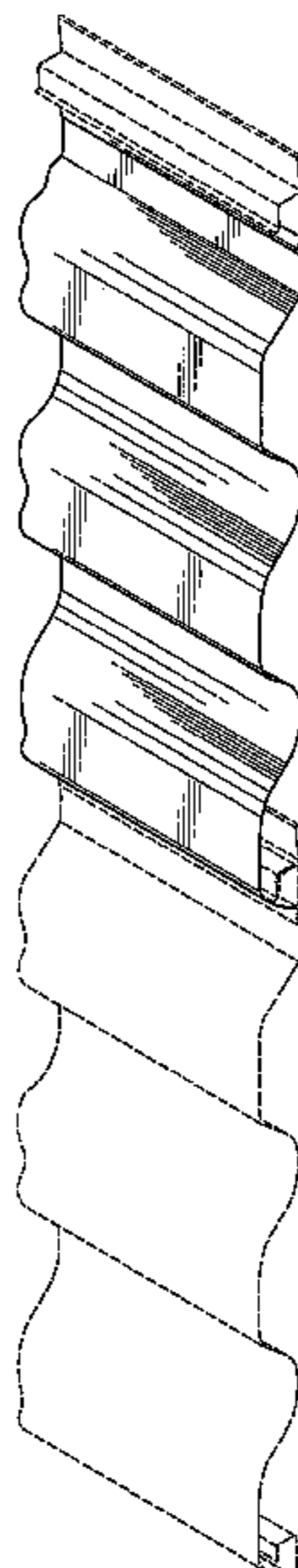
The ornamental design for a wall panel, as shown and described.

DESCRIPTION

FIG. 1 is a perspective view of a wall panel illustrating my new design;
 FIG. 2 is a right side elevation view thereof;
 FIG. 3 is a front elevation view thereof;
 FIG. 4 is a rear elevation view thereof;
 FIG. 5 is a top plan view thereof;
 FIG. 6 is a bottom plan view thereof; and,
 FIG. 7 is a perspective view of two wall panels interengaged with one another.
 The broken lines are for illustrative purposes only and form no part of the claimed design. The claimed design is broken on one side to indicate indefinite length.

1 Claim, 4 Drawing Sheets

- (56) **References Cited**
- U.S. PATENT DOCUMENTS**
- D21,313 S 1/1892 Faulhaber
- 3,041,784 A 7/1962 Facer et al.
- 3,062,337 A 11/1962 Zittle
- D205,008 S 6/1966 Lee et al.
- 3,290,845 A 12/1966 Snyder
- 3,320,711 A 5/1967 Johnson
- 3,399,503 A 9/1968 Payne et al.
- D214,665 S 7/1969 Tischuk
- 3,466,831 A 9/1969 Lenoir
- 3,482,367 A 12/1969 Curran
- 3,656,515 A 4/1972 Wögerbauer et al.



US D687,977 S

Page 2

U.S. PATENT DOCUMENTS

4,195,459	A	4/1980	Anderson
D256,620	S	8/1980	Madsen
4,223,503	A	9/1980	Hague
D259,143	S	5/1981	Aktinson
4,267,679	A	5/1981	Thompson
4,283,897	A	8/1981	Thompson
4,295,304	A	10/1981	Kim
4,373,312	A	2/1983	Kim
4,400,922	A	8/1983	Boyer
4,466,224	A	8/1984	Hague
4,467,582	A	8/1984	Hague
4,577,445	A	3/1986	Price
4,580,384	A	4/1986	Hutcheson
4,941,304	A	7/1990	Lewellin
5,020,295	A	6/1991	Haines et al.
5,072,563	A	12/1991	Menegoli
5,425,210	A	6/1995	Zafir
5,524,409	A	6/1996	Kaiser
5,581,955	A	12/1996	Gleave
D380,281	S	6/1997	Menz
5,697,197	A	12/1997	Simpson
5,725,201	A	3/1998	Parth
5,749,282	A	5/1998	Brow et al.
5,775,042	A	7/1998	Mowery et al.
5,784,846	A	7/1998	Godschalx
D404,504	S	1/1999	Dickey
5,875,592	A	3/1999	Allman et al.
5,878,534	A	3/1999	Gleave
5,885,154	A	3/1999	Napadow et al.
5,890,328	A	4/1999	Gleave
D421,137	S	2/2000	Marshall
D421,807	S	3/2000	Reid
D426,321	S	6/2000	Lockwood
6,085,485	A	7/2000	Murdock
6,088,992	A	7/2000	Nunley
6,108,993	A	8/2000	Hageman
6,141,932	A	11/2000	Tarrant
6,205,725	B1	3/2001	Butler
D443,078	S	5/2001	Wilson
6,240,682	B1	6/2001	James et al.
6,250,036	B1	6/2001	Nurley et al.
6,253,511	B1	7/2001	Boyer
D479,751	S	9/2003	Schofield

6,627,128	B1	9/2003	Boyer
6,968,659	B2	11/2005	Boyer
7,007,433	B2	3/2006	Boyer
D526,724	S	8/2006	Chuang
D526,726	S	8/2006	Bragg et al.
D527,834	S	9/2006	Thimons et al.
D538,948	S	3/2007	Thimons et al.
D589,633	S *	3/2009	Mattingly D25/138
7,678,219	B2	3/2010	Thompson et al.
7,748,181	B1	7/2010	Guinn
2003/0033767	A1	2/2003	Mead
2004/0007150	A1	1/2004	Gleave
2005/0081477	A1	4/2005	St. Quinton
2005/0124190	A1	6/2005	Mead
2006/0016135	A1	1/2006	Mead
2006/0059836	A1	3/2006	Monsieur
2007/0000623	A1	1/2007	Manser
2007/0068113	A1	3/2007	St. Quinton
2008/0029209	A1	2/2008	Thompson et al.
2008/0127586	A1	6/2008	Carolan
2008/0271399	A1	11/2008	Carolan
2008/0295441	A1	12/2008	Carolan et al.
2009/0025335	A1	1/2009	Flynn et al.
2009/0301022	A1	12/2009	Rockwell et al.
2010/0088988	A1	4/2010	Gaudreau

FOREIGN PATENT DOCUMENTS

FR	1 392 017	3/1965
GB	2 227 712	8/1990
GB	2 297 986	8/1996

OTHER PUBLICATIONS

Centria Architectural Systems, Concept Series Panels Horizontal Application, Jan. 2008, p. CSH-02.

Centria Architectural Systems, Concept Series Panels Vertical Application, Jan. 2008, p. CSV-02.

Whirlwind Building Components, shadow Wall Panel Pricing, Jan. 1, 2000, p. SWP-1.

ATAS, Multi Purpose Panels, Mar. 23, 2010, pp. 1 and 2. <http://www.atas.com/Products/Roof/ThroughFastenedPanel/MultiPurposePanel/tabid/84/Default.aspx>.

* cited by examiner

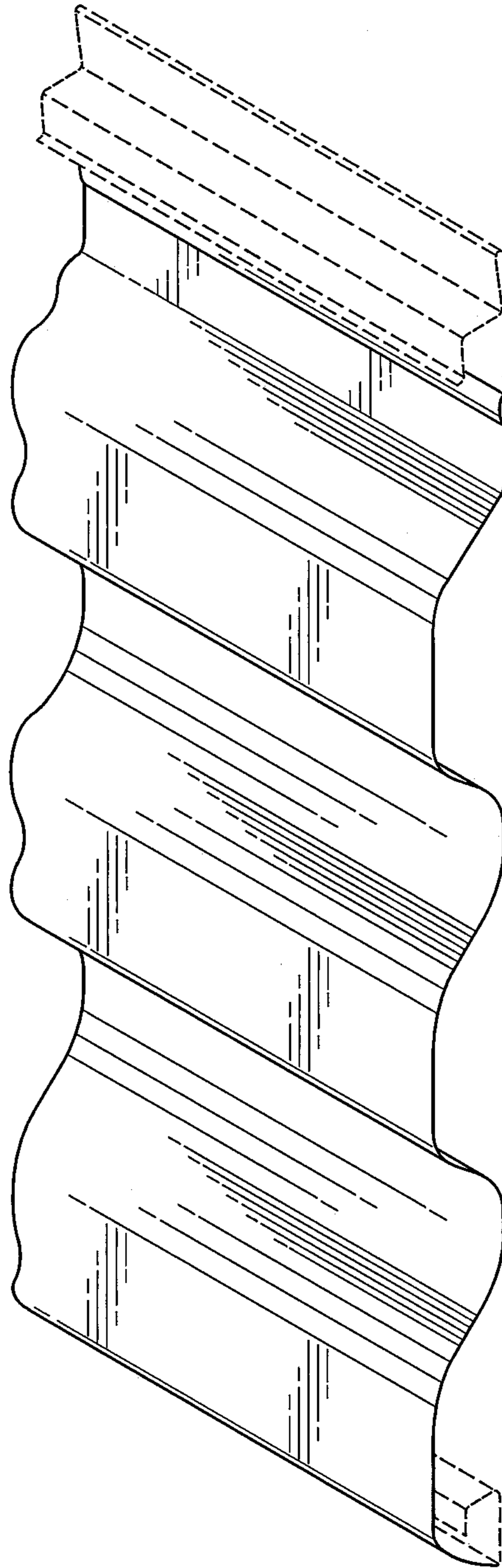


FIG. 1

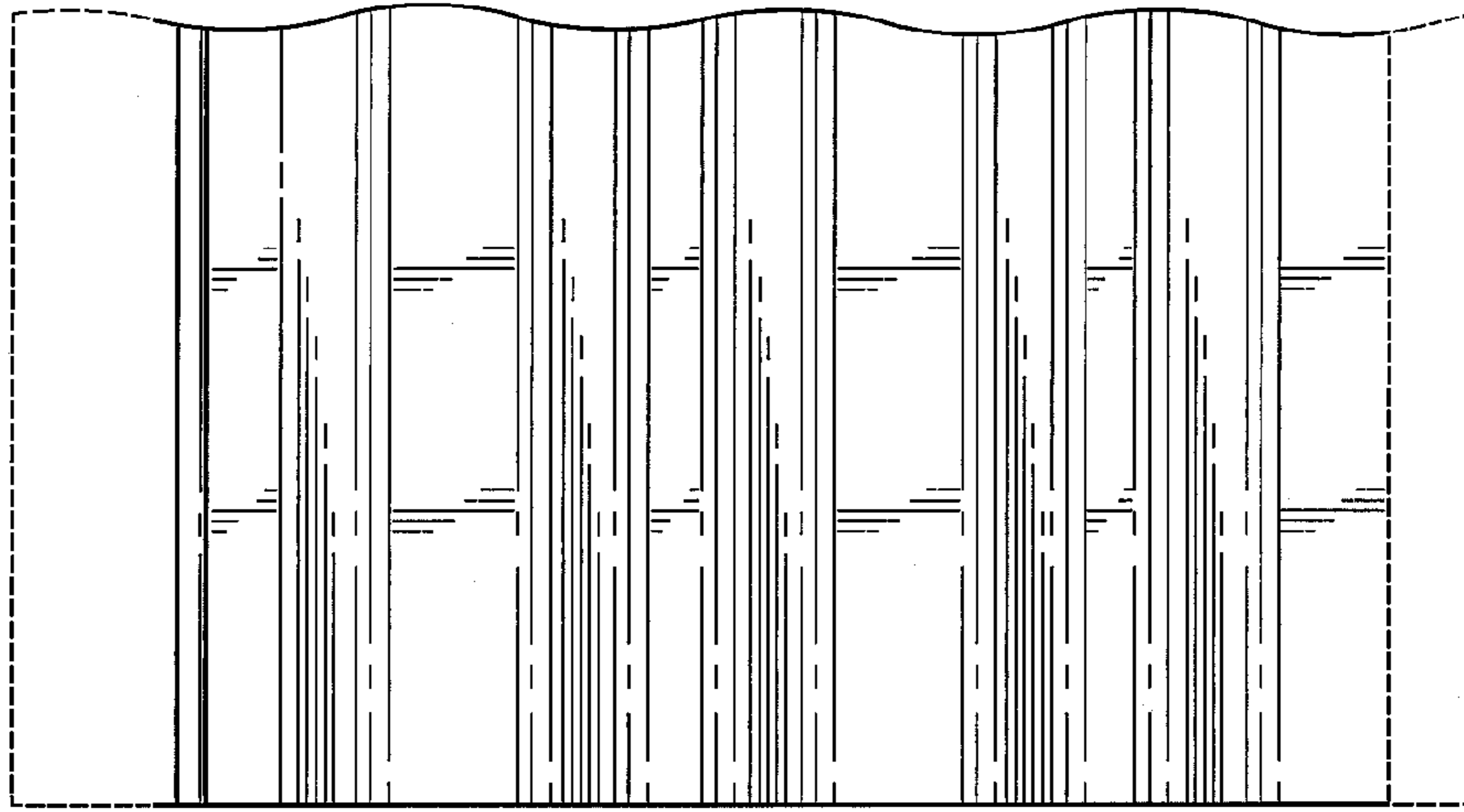


FIG. 4



FIG. 2

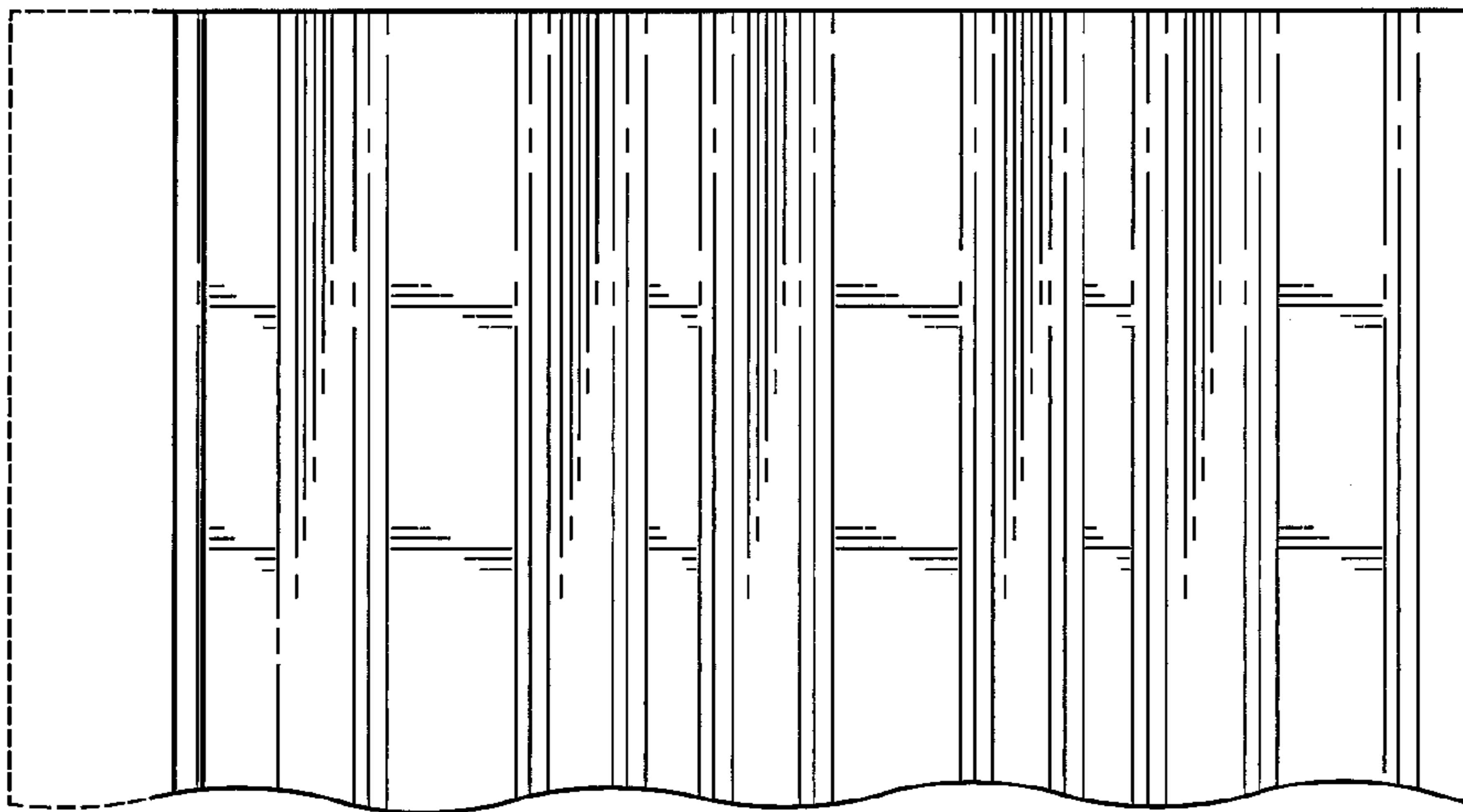


FIG. 3

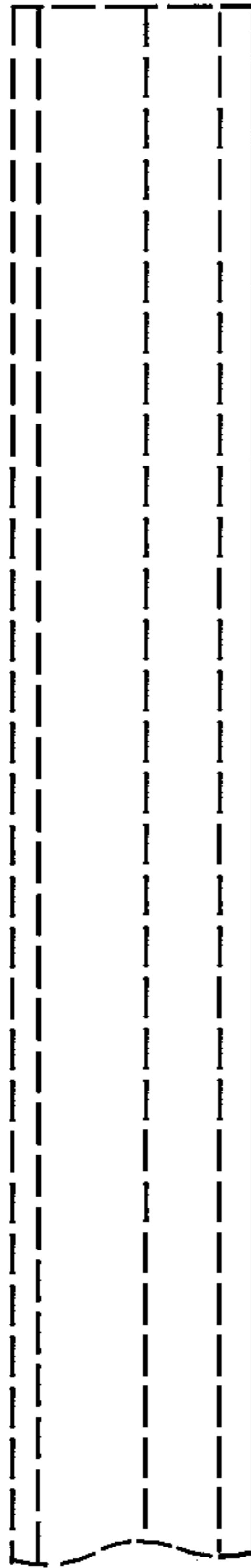


FIG. 5

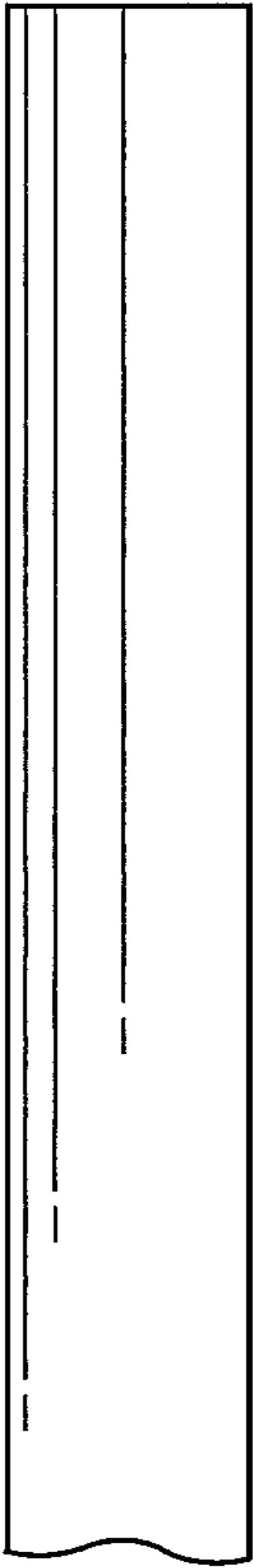


FIG. 6

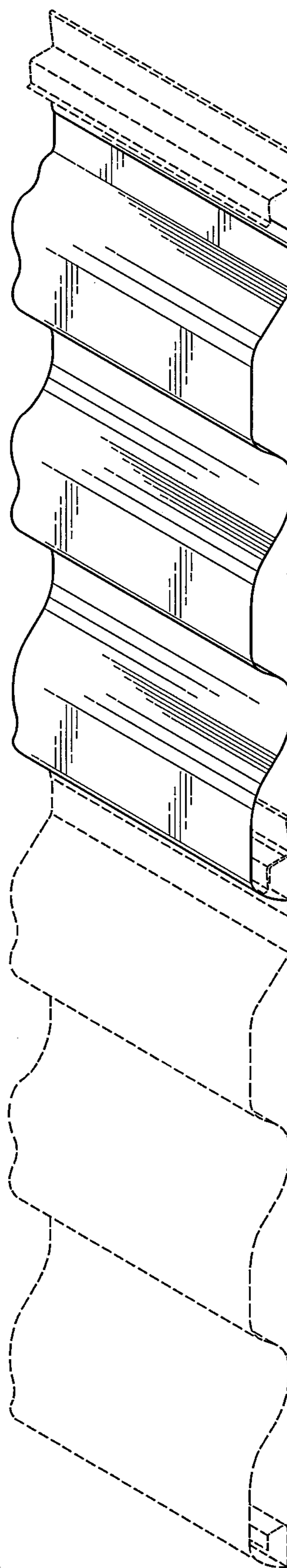


FIG. 7