



US00D687971S

(12) **United States Design Patent**
Akkala

(10) **Patent No.:** **US D687,971 S**

(45) **Date of Patent:** **** Aug. 13, 2013**

(54) **INTEGRATED FRAME AND CURB BOX**

(71) Applicant: **Steven M. Akkala**, Neenah, WI (US)

(72) Inventor: **Steven M. Akkala**, Neenah, WI (US)

(73) Assignee: **Neenah Foundry Company**, Neenah, WI (US)

(**) Term: **14 Years**

(21) Appl. No.: **29/440,899**

(22) Filed: **Dec. 28, 2012**

(51) **LOC (9) Cl.** **25-03**

(52) **U.S. Cl.**
USPC **D25/36**

(58) **Field of Classification Search**
USPC D25/36; D23/267; 210/170, 170.01,
210/170.03, 162-166, 474; 404/4, 5
See application file for complete search history.

(56) **References Cited**

U.S. PATENT DOCUMENTS

505,130	A *	9/1893	Ryan	210/164
D29,706	S	11/1898	Lonegran	
D30,054	S	1/1899	Lonegran	
1,654,886	A *	1/1928	Keeble et al.	210/163
2,537,654	A	1/1951	Curnutte	
3,881,832	A *	5/1975	Maguire	404/4
D276,839	S	12/1984	McCoy	
D399,304	S *	10/1998	Mauk	D23/261
6,234,711	B1	5/2001	Beaman	
6,609,852	B2 *	8/2003	Wimberger	405/40
6,997,636	B2	2/2006	Tremouilhac	
7,132,045	B1	11/2006	Trangsrud	
7,160,048	B1	1/2007	Fattori et al.	
D556,865	S *	12/2007	Trangsrud	D23/267
7,309,420	B1	12/2007	Trangsrud	
D559,959	S	1/2008	Trangsrud	
7,611,304	B2	11/2009	Lill et al.	
D667,962	S	9/2012	Akkala	

8,323,485 B2 12/2012 Blundell et al.
D673,690 S 1/2013 Akkala
2004/0007655 A1 1/2004 Piscovich

(Continued)

OTHER PUBLICATIONS

R-3246-Combination Inlet, With Curb Box, Neenah Foundry Catalog, Jan. 8, 2013, 1 page, Copyright 2013 Neenah Foundry, <http://www.nfco.com/municipal/products/print-hl/>.

(Continued)

Primary Examiner — Eric Goodman

(74) *Attorney, Agent, or Firm* — Krieg DeVault LLP

(57) **CLAIM**

The ornamental design for an integrated frame and curb box, as shown and described.

DESCRIPTION

FIG. 1 is a top, front and left side perspective view of the integrated frame and curb box of the present invention.

FIG. 2 is a bottom, front and left side perspective view of the integrated frame and curb box of FIG. 1.

FIG. 3 is a front elevational view of the integrated frame and curb box of FIG. 1.

FIG. 4 is a top view of the integrated frame and curb box of FIG. 1.

FIG. 5 is a right side elevational view of the integrated frame and curb box of FIG. 1.

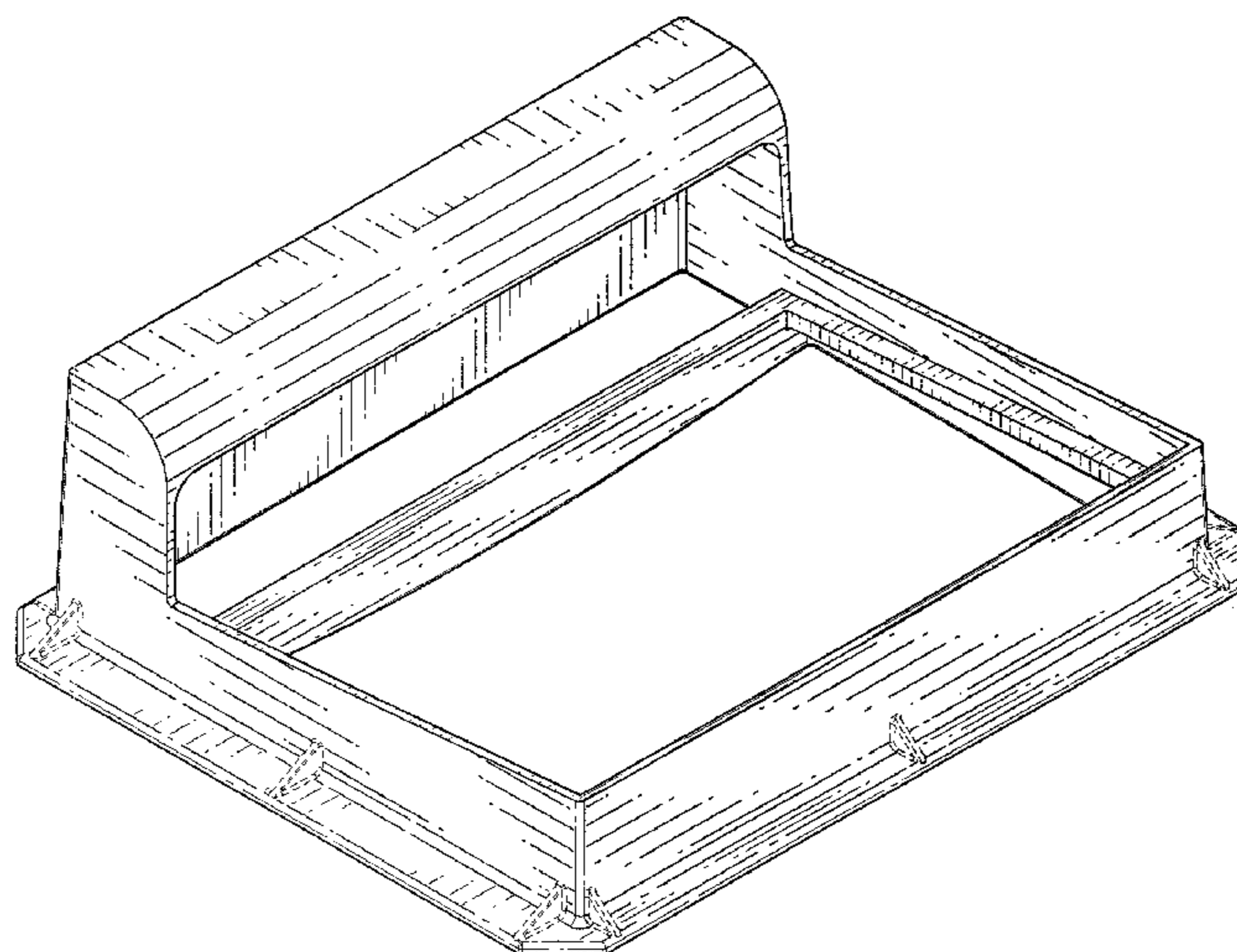
FIG. 6 is a rear elevational view of the integrated frame and curb box of FIG. 1; and,

FIG. 7 is a bottom view of the integrated frame and curb box of FIG. 1.

The left side elevational view of the frame and curb box is a mirror image of the right side elevational view.

FIGS. 1 and 3-6 show portions of the integrated frame and curb box in phantom lines. The phantom lines show boundaries of the design and elements of the integrated frame and curb box that form no part of the claimed design.

1 Claim, 5 Drawing Sheets



U.S. PATENT DOCUMENTS

2005/0207839 A1 9/2005 Tremouilhac
2006/0285925 A1 12/2006 Fattori et al.
2007/0086856 A1 4/2007 Lill et al.
2008/0237100 A1 10/2008 Wimberger

OTHER PUBLICATIONS

R-3246-A-Combination Inlet, With Curb Box, Neenah Foundry Catalog, Jan. 8, 2013, 1 page, Copyright 2013 Neenah Foundry, <http://www.nfco.com/municipal/products/print-hl/>.
R-3246-AL-Combination Inlet, With Curb Box, Neenah Foundry Catalog, Jan. 8, 2013, 1 page, Copyright 2013 Neenah Foundry, <http://www.nfco.com/municipal/products/print-hl/>.

R-3246-AM-Combination Inlet, With Curb Box, Neenah Foundry Catalog, Jan. 8, 2013, 1 page, Copyright 2013 Neenah Foundry, <http://www.nfco.com/municipal/products/print-hl/>.
R-3246-CC-Combination Inlet, With Curb Box, Neenah Foundry Catalog, Jan. 8, 2013, 1 page, Copyright 2013 Neenah Foundry, <http://www.nfco.com/municipal/products/print-hl/>.
R-3246-CL-Combination Inlet, With Curb Box, Neenah Foundry Catalog, Jan. 8, 2013, 1 page, Copyright 2013 Neenah Foundry, <http://www.nfco.com/municipal/products/print-hl/>.
R-3246-E-Combination Inlet, With Curb Box, Neenah Foundry Catalog, Jan. 8, 2013, 1 page, Copyright 2013 Neenah Foundry, <http://www.nfco.com/municipal/products/print-hl/>.

* cited by examiner

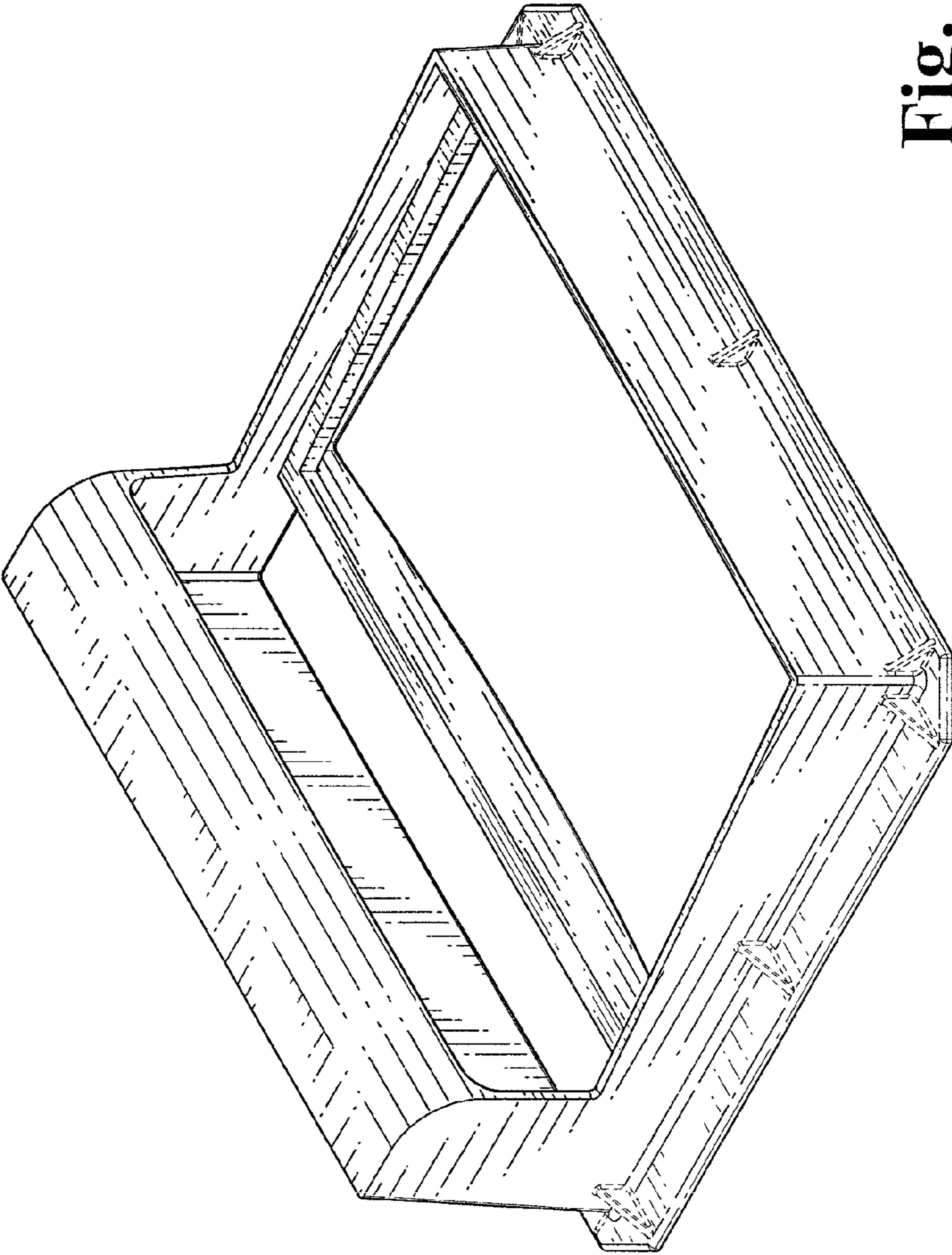


Fig. 1

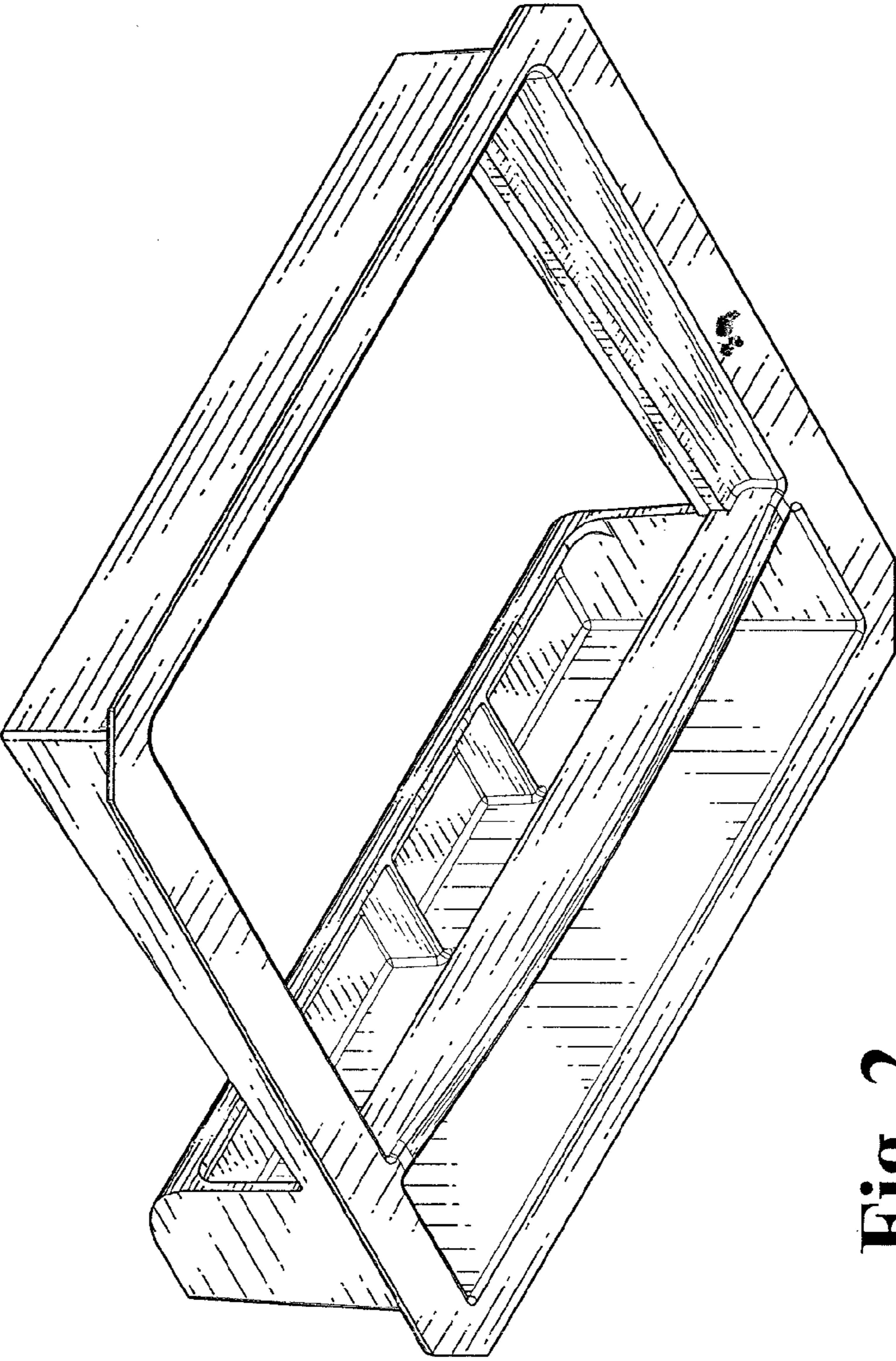


Fig. 2

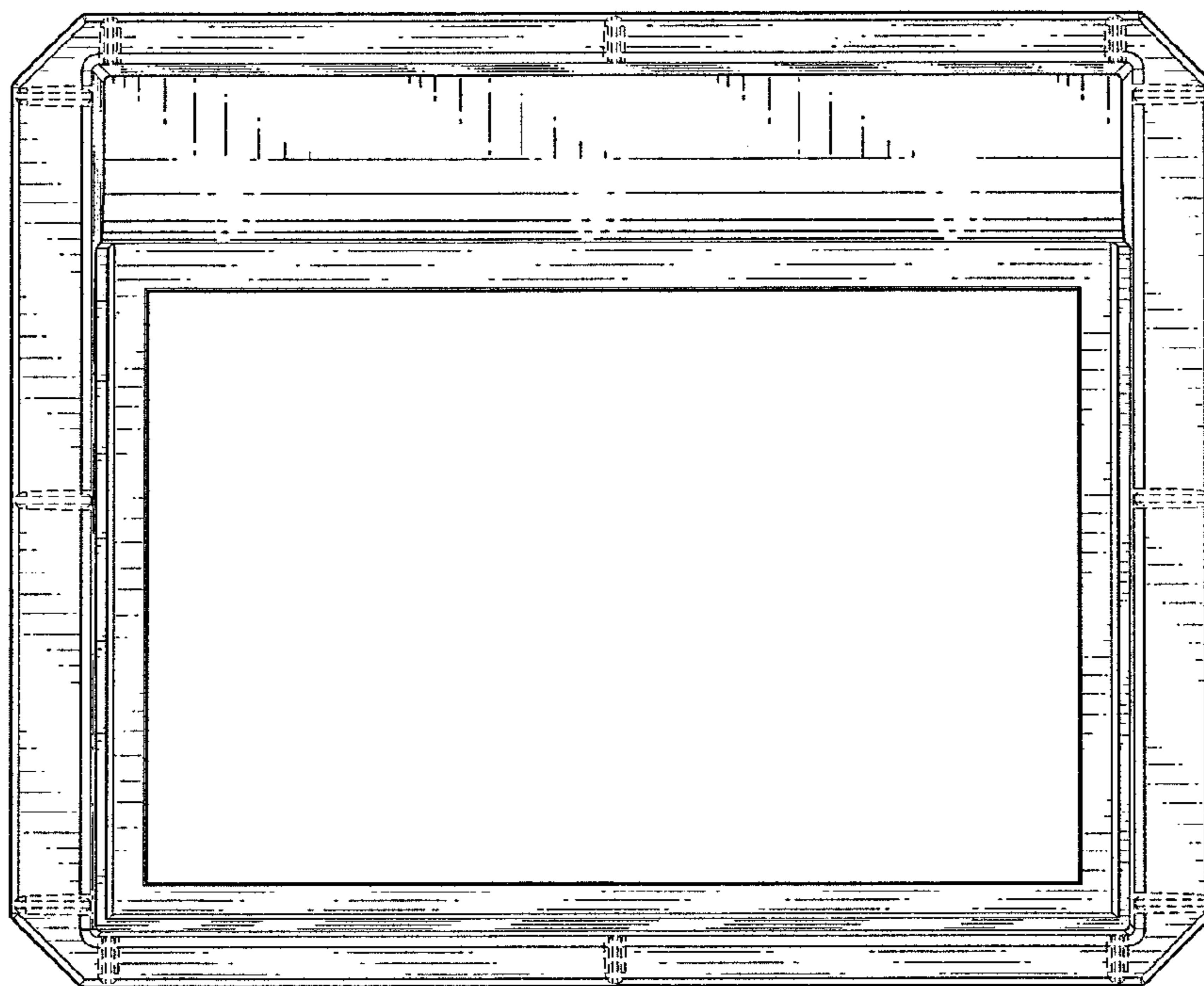


Fig. 4

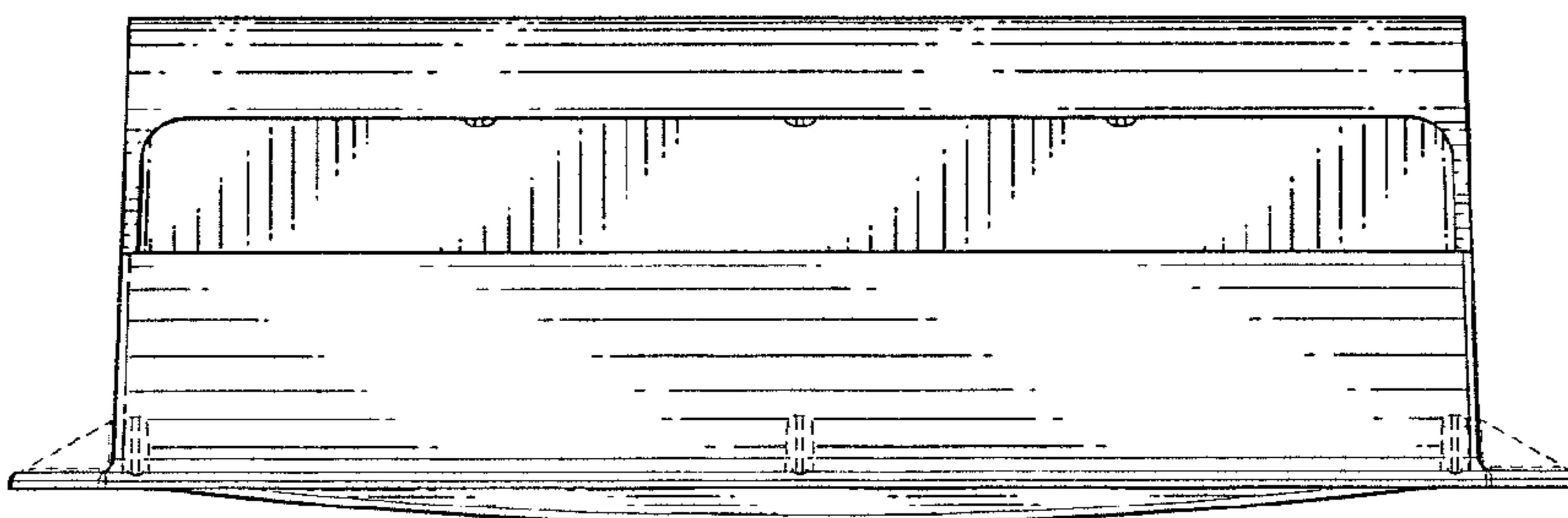


Fig. 3

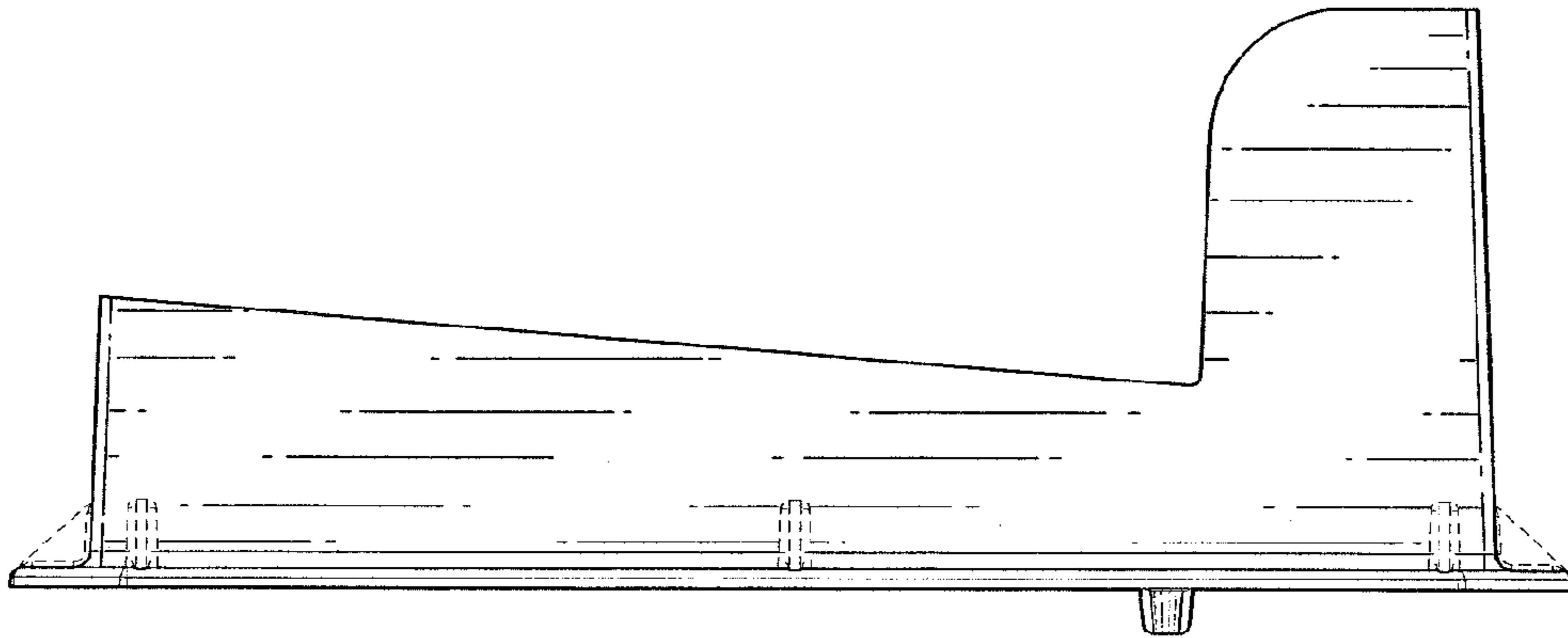


Fig. 5

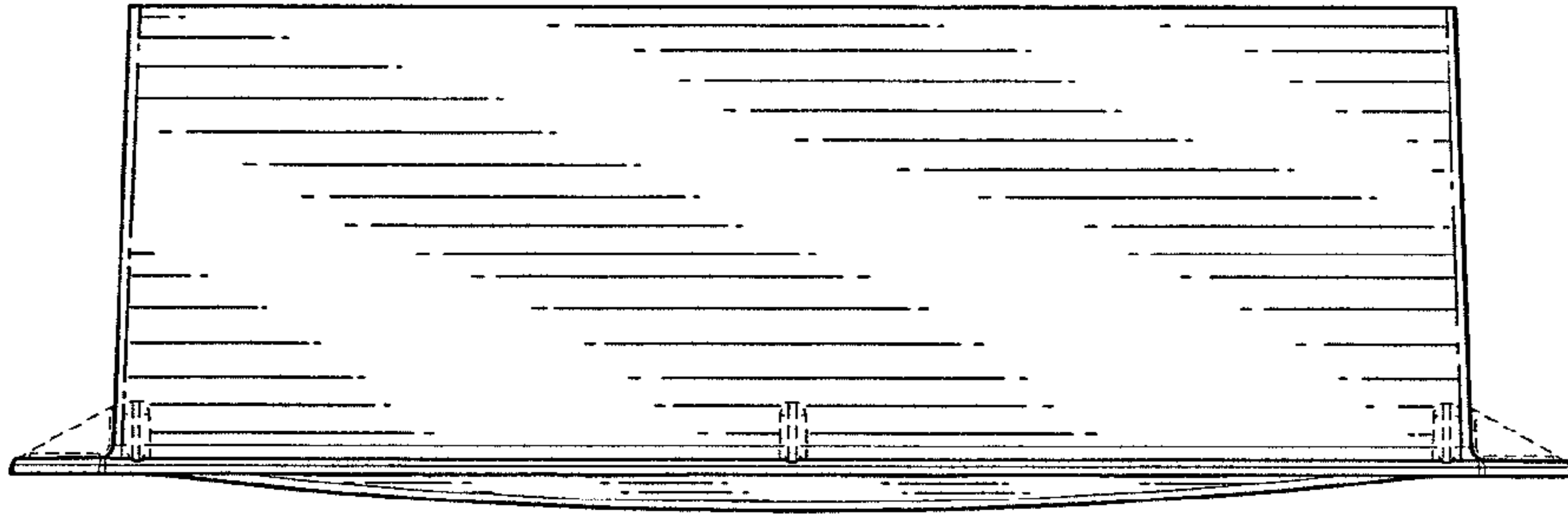


Fig. 6

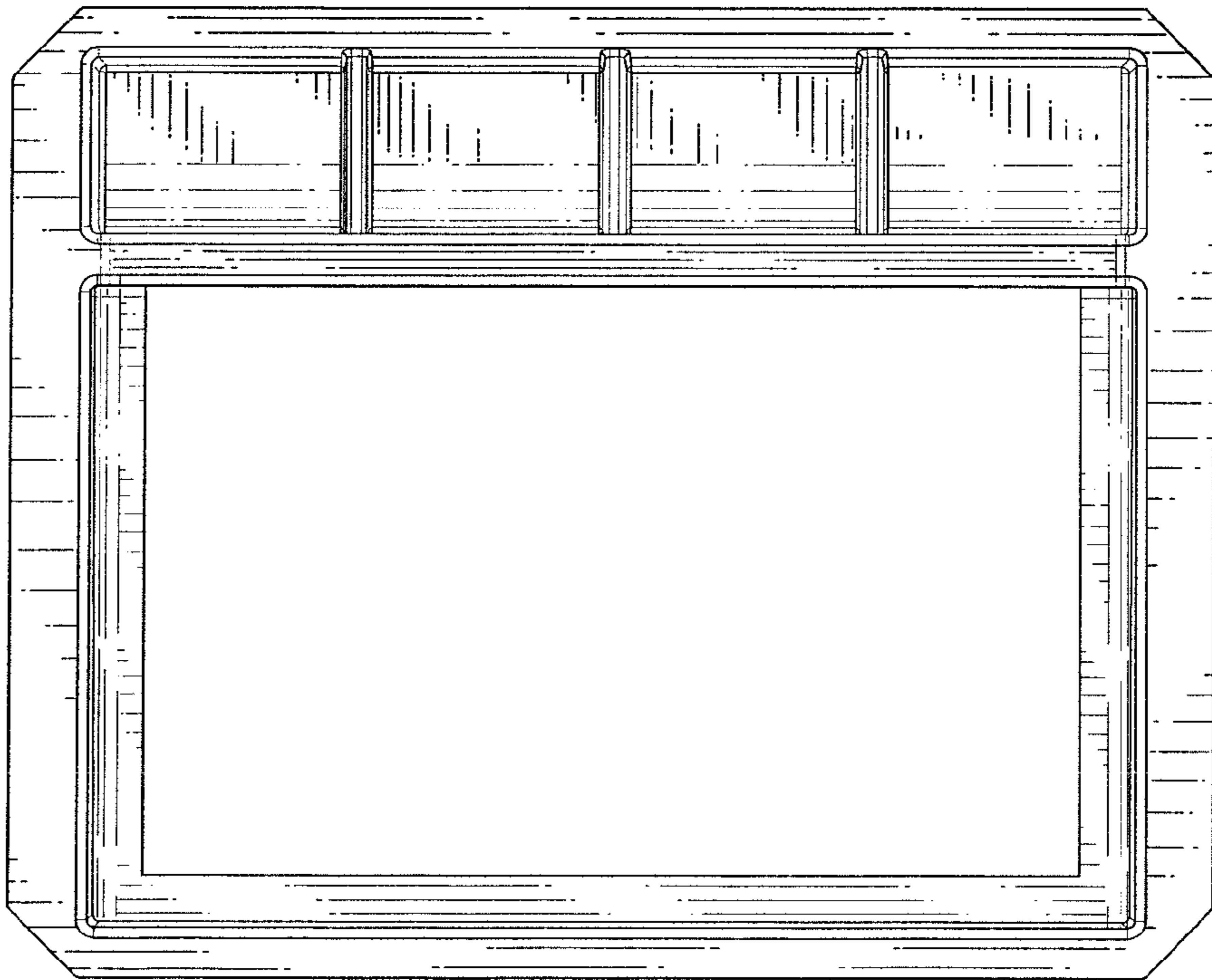


Fig. 7