

US00D687967S

(12) **United States Design Patent**
Nakaji et al.

(10) **Patent No.:** **US D687,967 S**

(45) **Date of Patent:** **** Aug. 13, 2013**

(54) **RADIONUCLIDE CARRIER**

(76) Inventors: **Peter Nakaji**, Phoenix, AZ (US); **David Brachman**, Phoenix, AZ (US); **Heyoung McBride**, Phoenix, AZ (US); **Emad Youssef**, Tempe, AZ (US); **Theresa Thomas**, Gilbert, AZ (US)

(**) Term: **14 Years**

(21) Appl. No.: **29/423,035**

(22) Filed: **May 25, 2012**

(51) **LOC (9) Cl.** **24-02**

(52) **U.S. Cl.**
USPC **D24/227**

(58) **Field of Classification Search**
USPC D3/272, 300; D24/121, 128, 130,
D24/133, 158, 155, 169, 224, 225; D99/28;
D34/28; 210/143, 278, 681-682; 423/2,
423/249; 424/1.29, 1.11, 9.1, 9.6; 604/19,
604/20; 600/436, 431

See application file for complete search history.

(56) **References Cited**

U.S. PATENT DOCUMENTS

D244,393	S	*	5/1977	Collica et al.	D99/28
D381,080	S	*	7/1997	Ohata	D24/155
D408,957	S	*	4/1999	Sandor	D34/28
5,997,842	A	*	12/1999	Chen	604/19
D420,452	S	*	2/2000	Cardy	D24/225
D420,745	S	*	2/2000	Cardy	D24/225
D420,746	S	*	2/2000	Cardy	D24/224
D443,061	S	*	5/2001	Bergstrom et al.	D24/158
6,512,943	B1	*	1/2003	Kelcz	600/436

D488,864	S	*	4/2004	Fago et al.	D24/121
6,787,042	B2	*	9/2004	Bond et al.	210/681
D561,896	S	*	2/2008	Jones	D24/130
D580,056	S	*	11/2008	Orthner	D24/155
D580,057	S	*	11/2008	Ramadani	D24/155
D657,474	S	*	4/2012	Dona	D24/224
D680,649	S	*	4/2013	Jagger et al.	D24/155
D681,210	S	*	4/2013	Beiriger et al.	D24/169
D681,812	S	*	5/2013	Farris et al.	D24/155
D681,813	S	*	5/2013	Jagger et al.	D24/155

* cited by examiner

Primary Examiner — T. Chase Nelson

Assistant Examiner — Mark Cavanna

(74) *Attorney, Agent, or Firm* — S McPherson IP Law

(57) **CLAIM**

The ornamental design for a radionuclide carrier, as shown and described.

DESCRIPTION

FIG. 1 is a perspective view of a radionuclide carrier showing our new design;

FIG. 2 is a front elevational view thereof;

FIG. 3 is a back elevational view thereof;

FIG. 4 is a left side elevational view thereof;

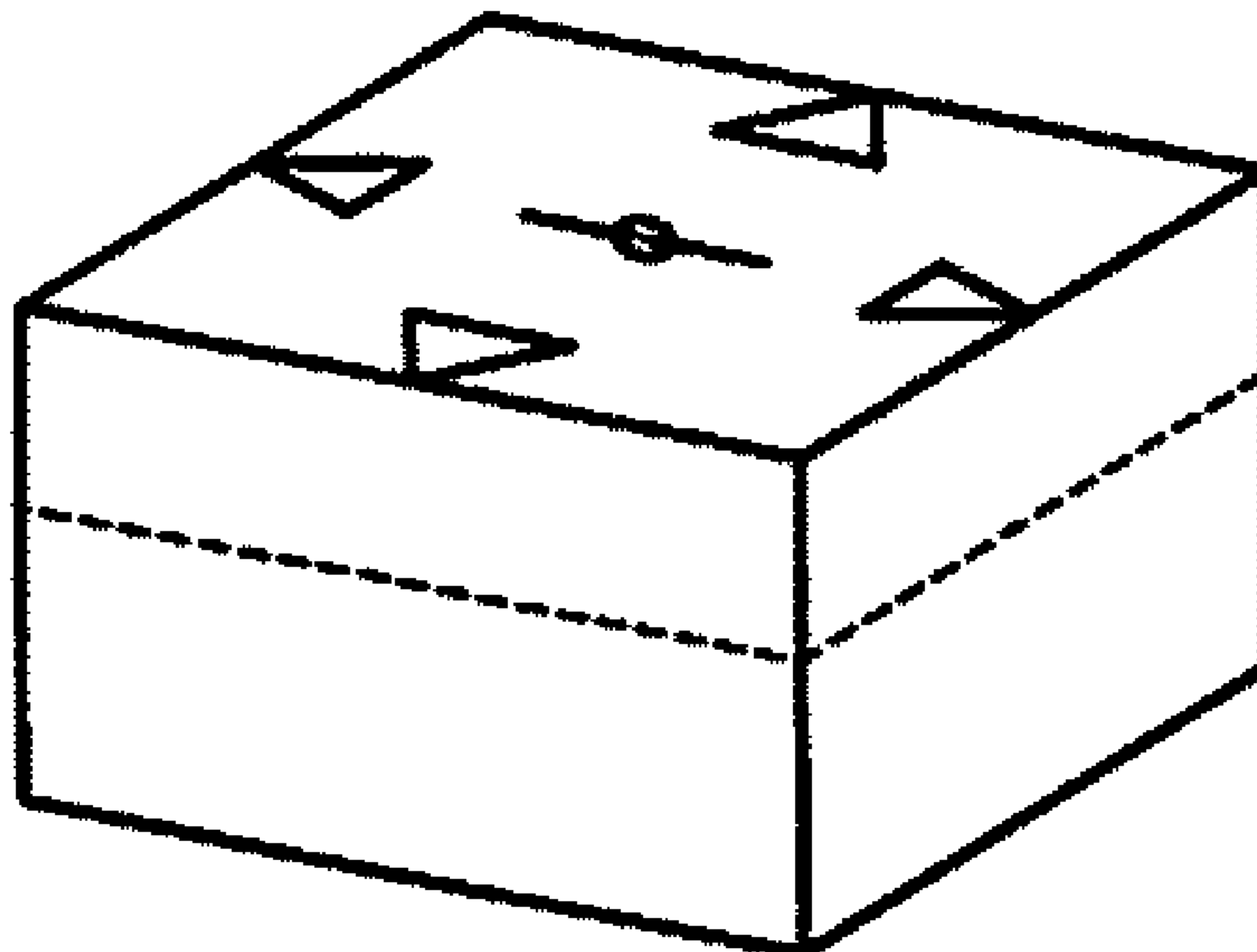
FIG. 5 is a right side elevational view thereof;

FIG. 6 is a top plan view thereof; and,

FIG. 7 is a bottom plan view thereof.

The broken lines are included for the purpose of illustrating portions of the radionuclide carrier that form no part of the claimed design.

1 Claim, 1 Drawing Sheet



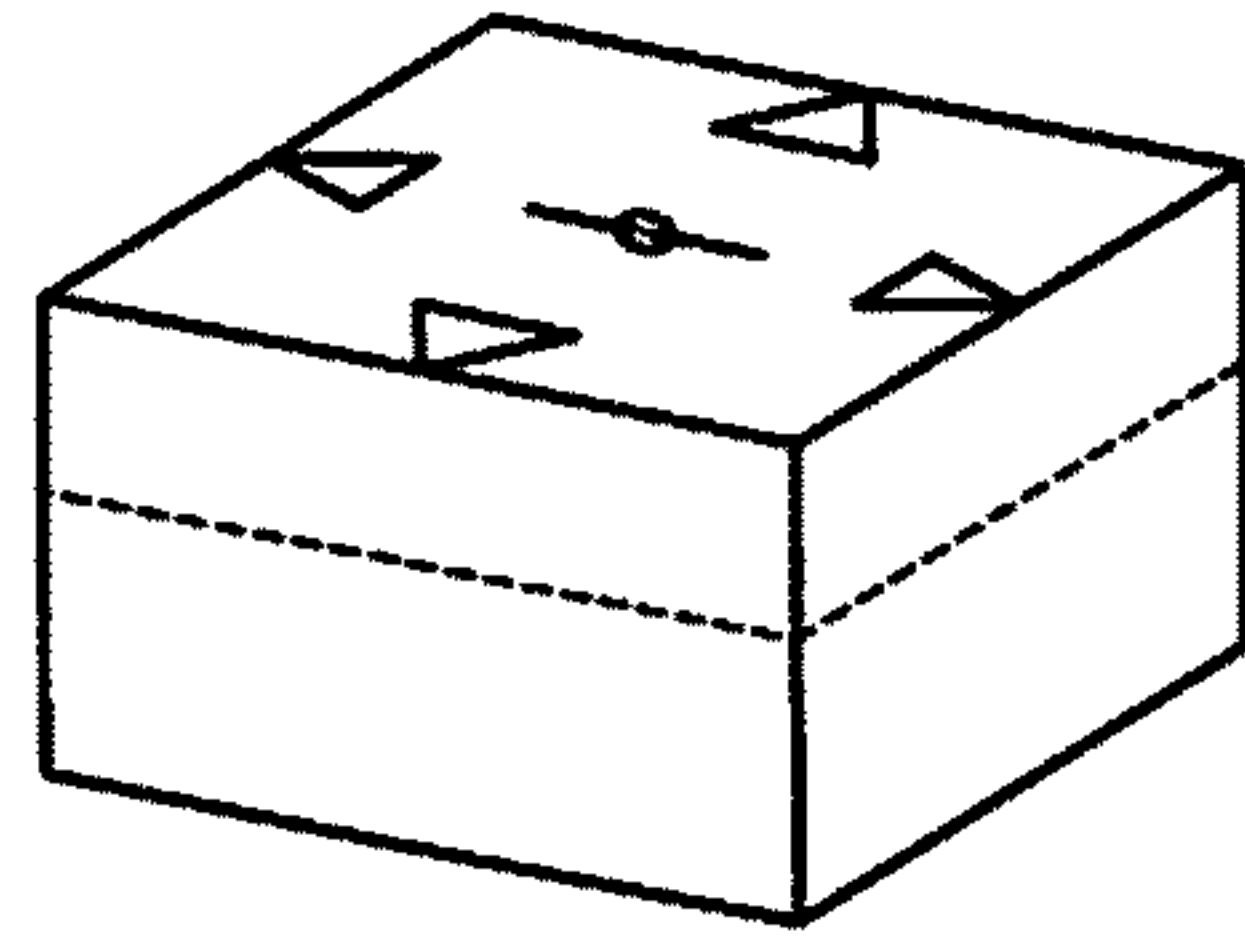


FIG. 1

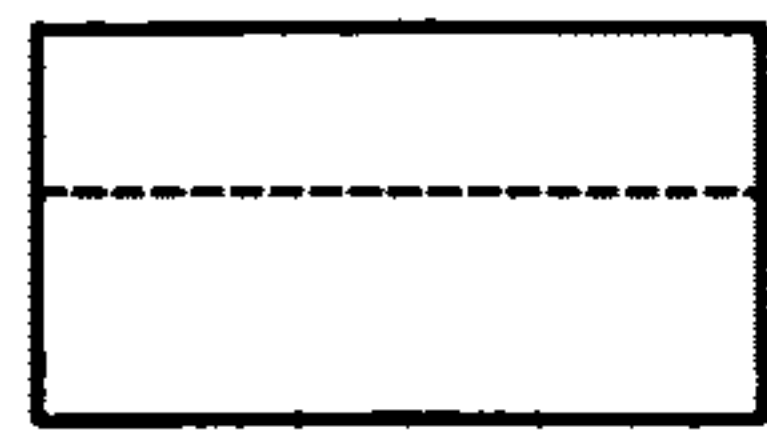


FIG. 2

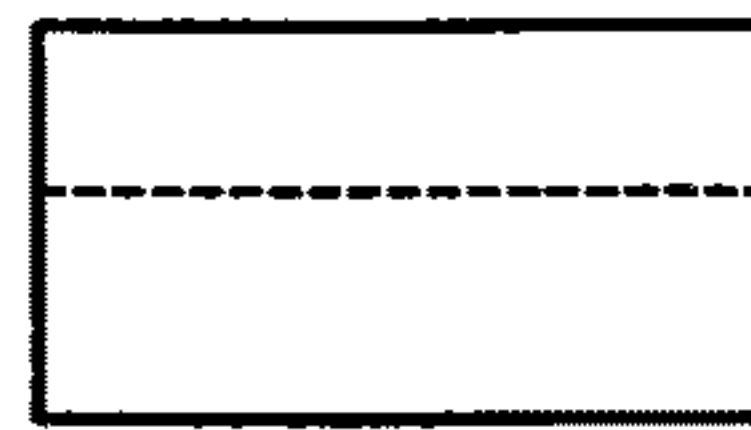


FIG. 3

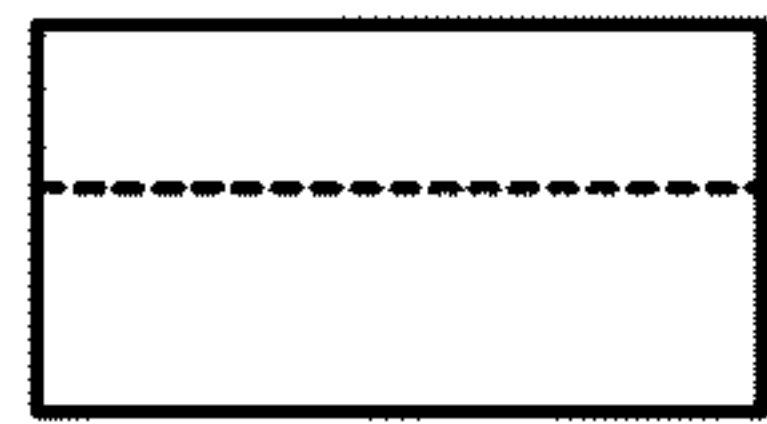


FIG. 4

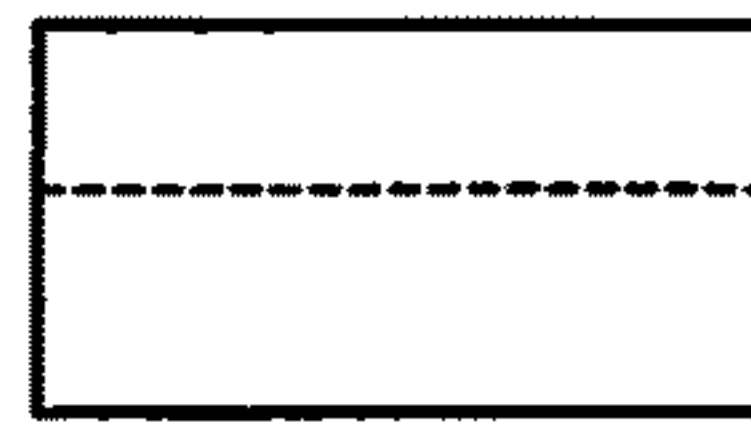


FIG. 5

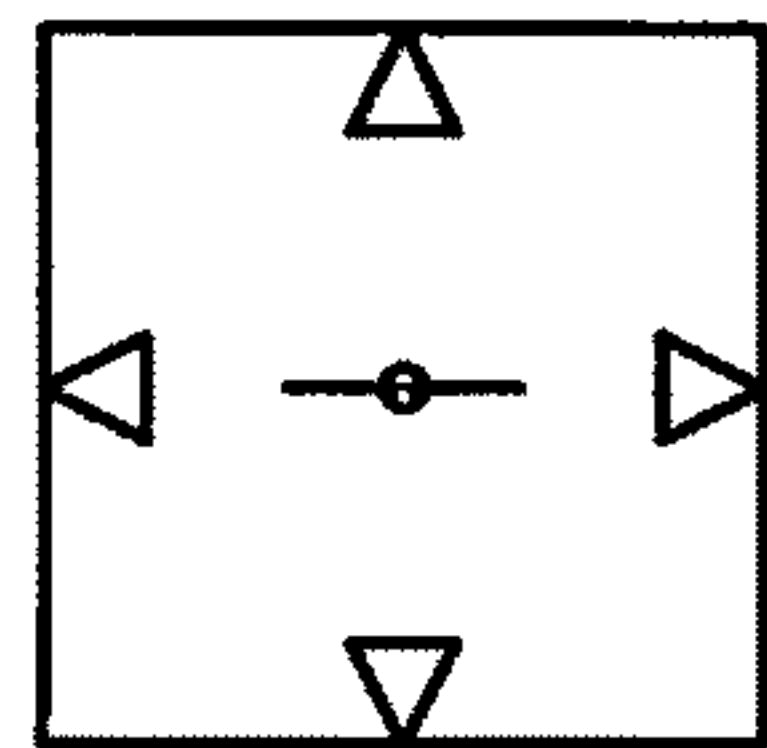


FIG. 6

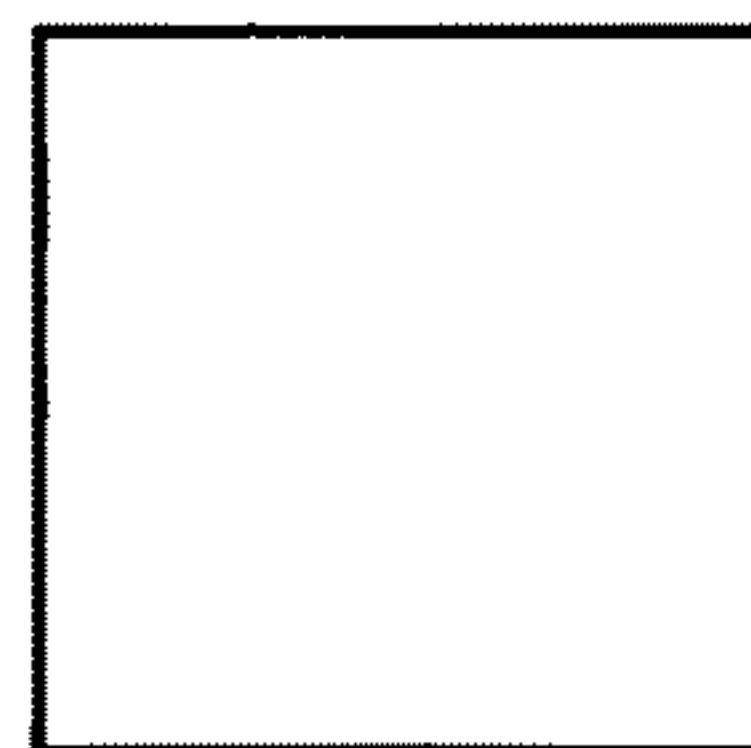


FIG. 7