



US00D687965S

(12) **United States Design Patent**
Trump

(10) **Patent No.:** **US D687,965 S**

(45) **Date of Patent:** **** Aug. 13, 2013**

(54) **CUVETTE**

(71) Applicant: **Martin Trump**, Pforzheim (DE)

(72) Inventor: **Martin Trump**, Pforzheim (DE)

(73) Assignee: **STRATEC Biomedical AG**, Birkenfeld (DE)

(**) Term: **14 Years**

(21) Appl. No.: **29/435,066**

(22) Filed: **Oct. 19, 2012**

(30) **Foreign Application Priority Data**

Apr. 20, 2012 (EP) 002030023-0004

(51) **LOC (9) Cl.** **24-01**

(52) **U.S. Cl.**
USPC **D24/224**

(58) **Field of Classification Search**

USPC D24/216–217, 219, 223–226, 227,
D24/229–231, 232, 107, 121–123; D10/81;
422/500, 547, 554, 556; 435/288.1, 304.1,
435/304.3; D9/500, 516, 519–521, 545,
D9/549, 558

See application file for complete search history.

(56) **References Cited**

U.S. PATENT DOCUMENTS

D258,266 S * 2/1981 Curran et al. D24/224
D330,428 S * 10/1992 Lewis et al. D24/224
D342,793 S * 12/1993 Balmer D24/224
D380,555 S * 7/1997 Kurosaki et al. D24/224
D401,700 S * 11/1998 Gray et al. D24/224

6,117,391 A * 9/2000 Mootz et al. 422/65
D560,816 S * 1/2008 Talmer et al. D24/224
D583,481 S * 12/2008 Yamamoto et al. D24/224
D661,403 S * 6/2012 Connelly et al. D24/224
2010/0137778 A1* 6/2010 Kunjan et al. 435/287.1
2012/0156796 A1* 6/2012 Drechsler et al. 436/164

* cited by examiner

Primary Examiner — Anhdao Doan

(74) *Attorney, Agent, or Firm* — 24IP Law Group; Timothy R. DeWitt

(57) **CLAIM**

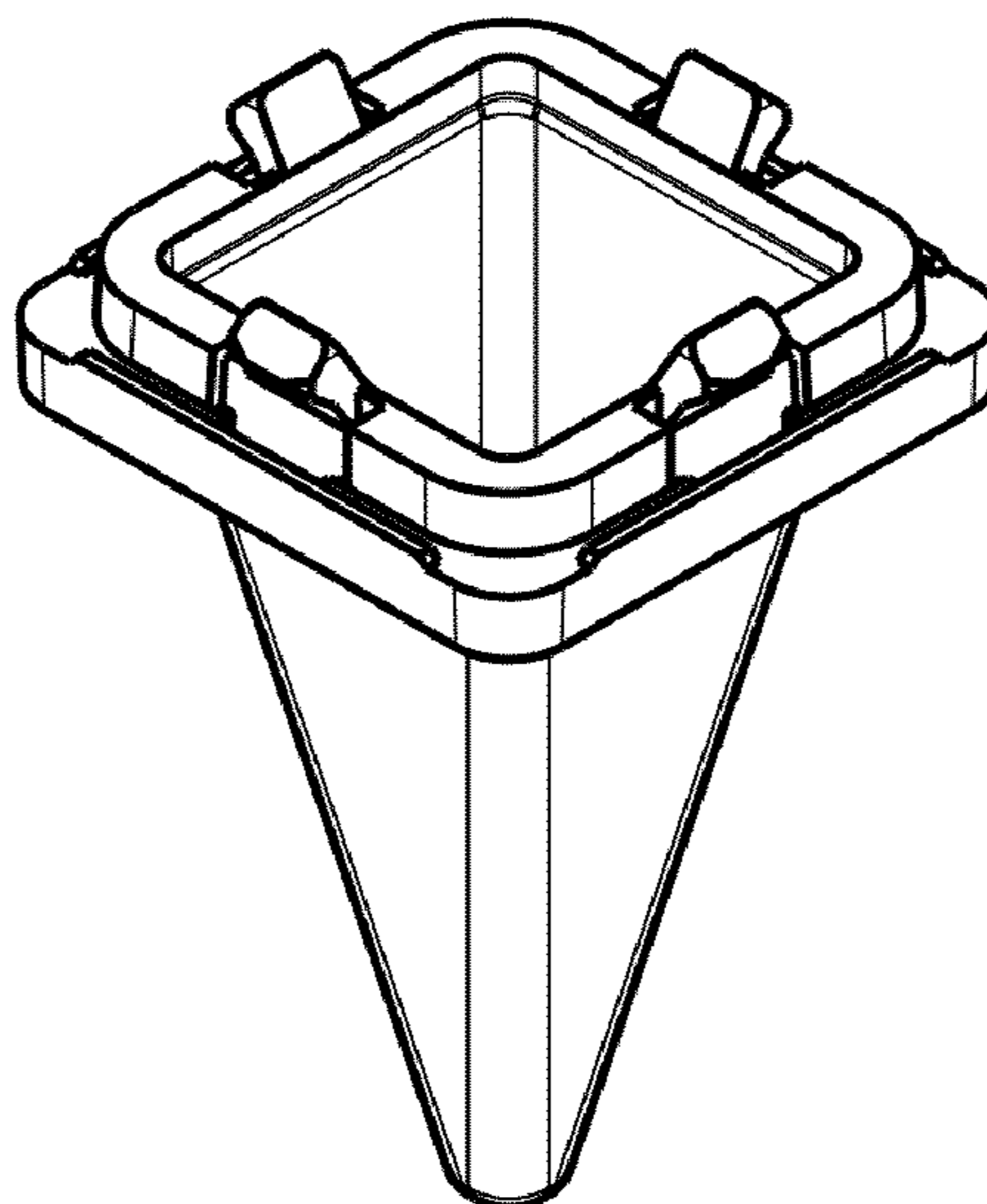
The ornamental design for a cuvette, as shown and described.

DESCRIPTION

FIG. 1 is a top view of the design;
FIG. 2 is a bottom view of the design;
FIG. 3 is a side view of the design that is identical from all four sides;
FIG. 4 is a cutaway view of the design through the center of the design;
FIG. 5 is a bottom perspective view of the design;
FIG. 6 is a top perspective view of the design;
FIG. 7 is a stacked view of the design in which one of the designs is stacked in a another one of the designs;
FIG. 8 is a cutaway view of the stacked design;
FIG. 9 is a bottom perspective of the stacked version of the design; and,
FIG. 10 is a top perspective view of the stacked version of the design.

The other cuvette shown in broken lines in FIGS. 7-10 represents the environmental subject matter that forms no part of the claimed design.

1 Claim, 10 Drawing Sheets



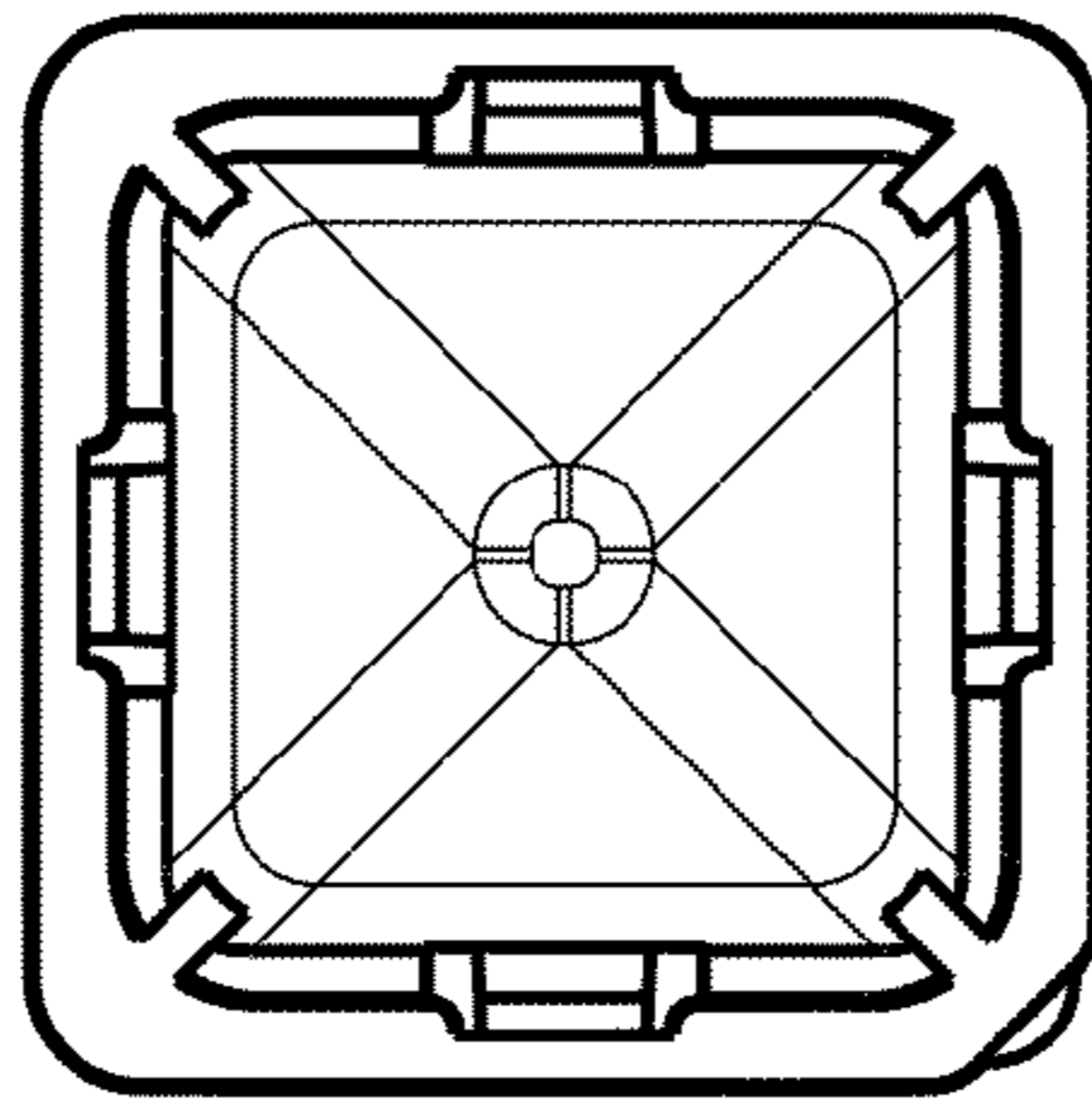


Fig. 1

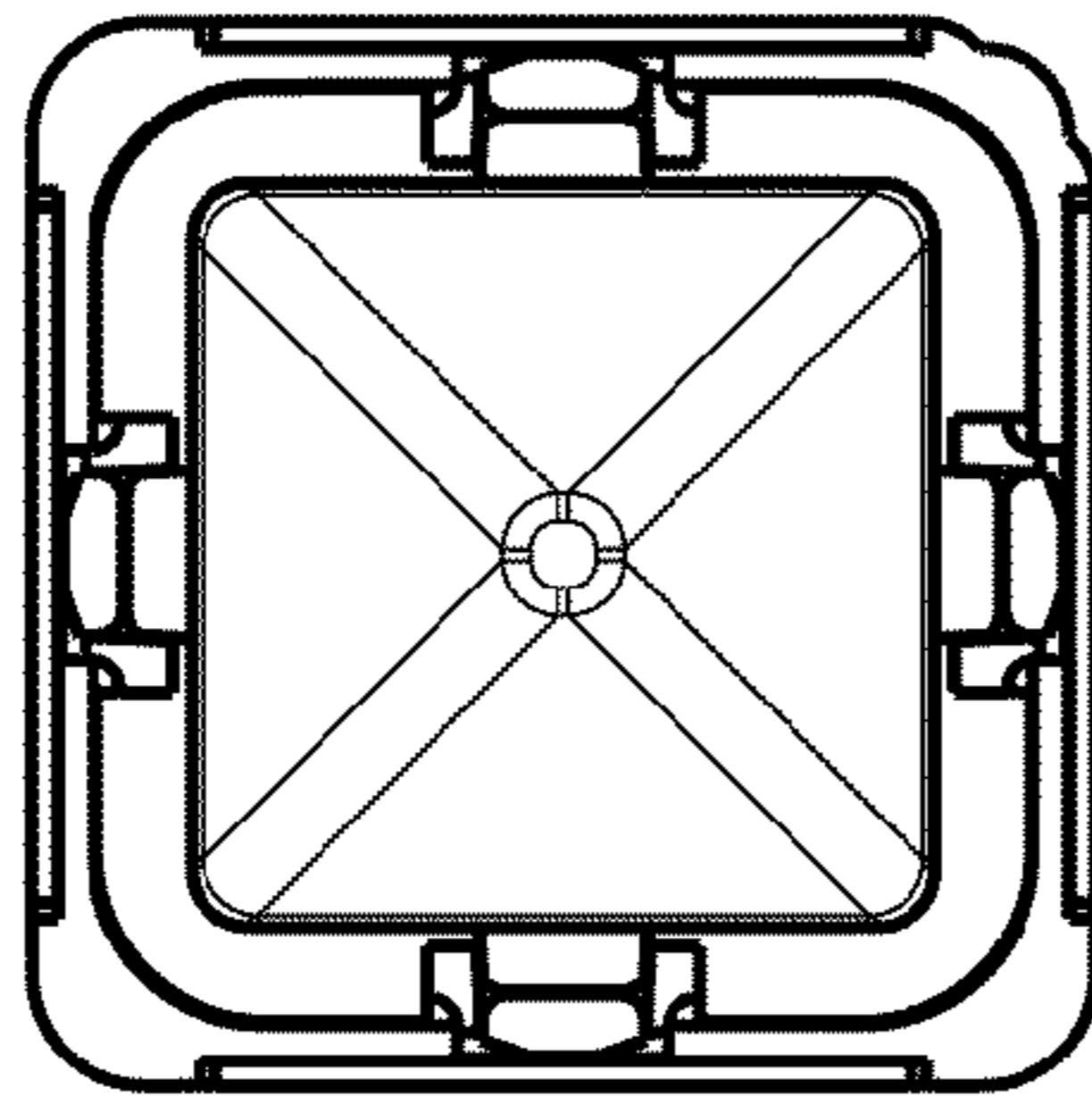


Fig. 2

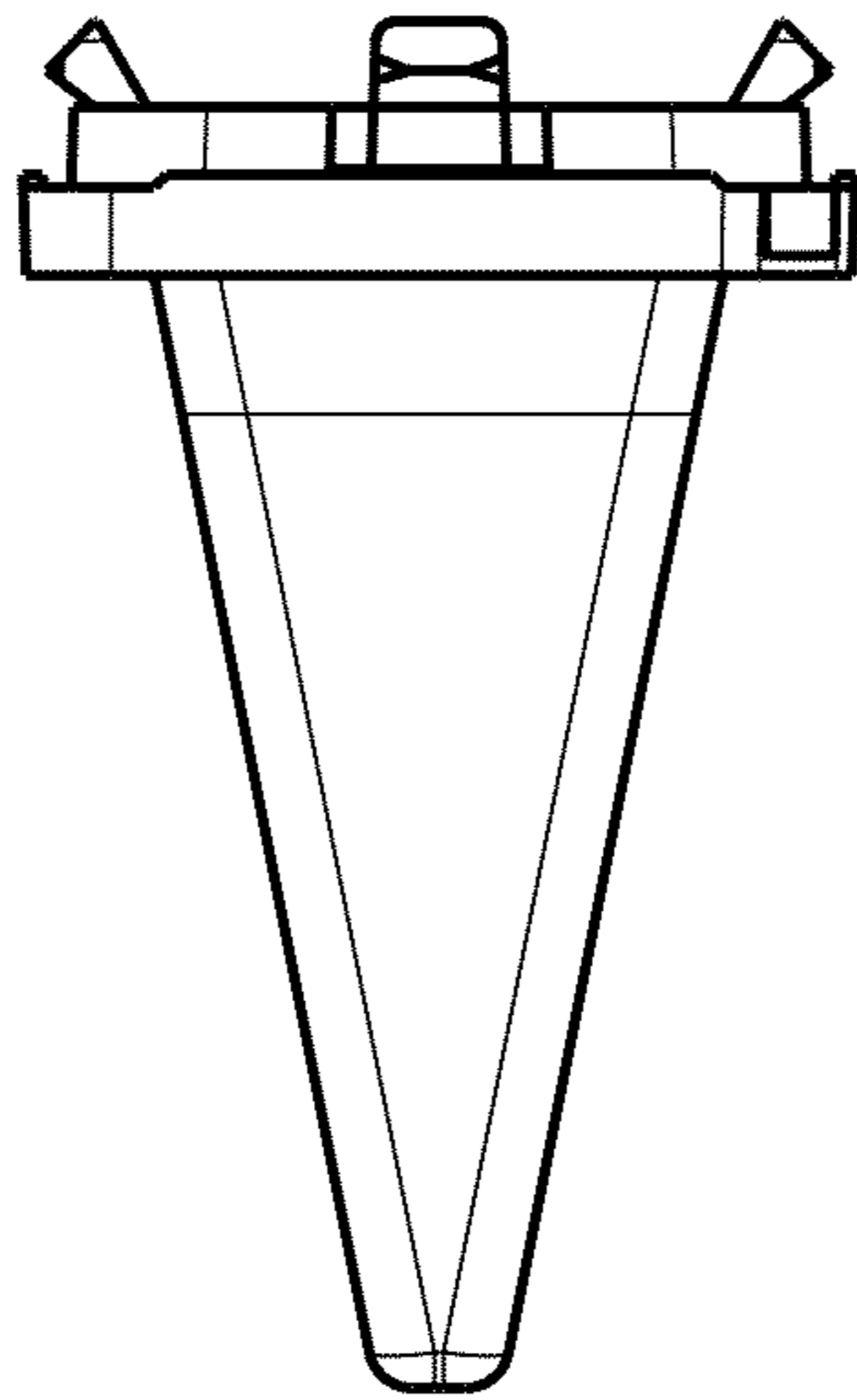


Fig. 3

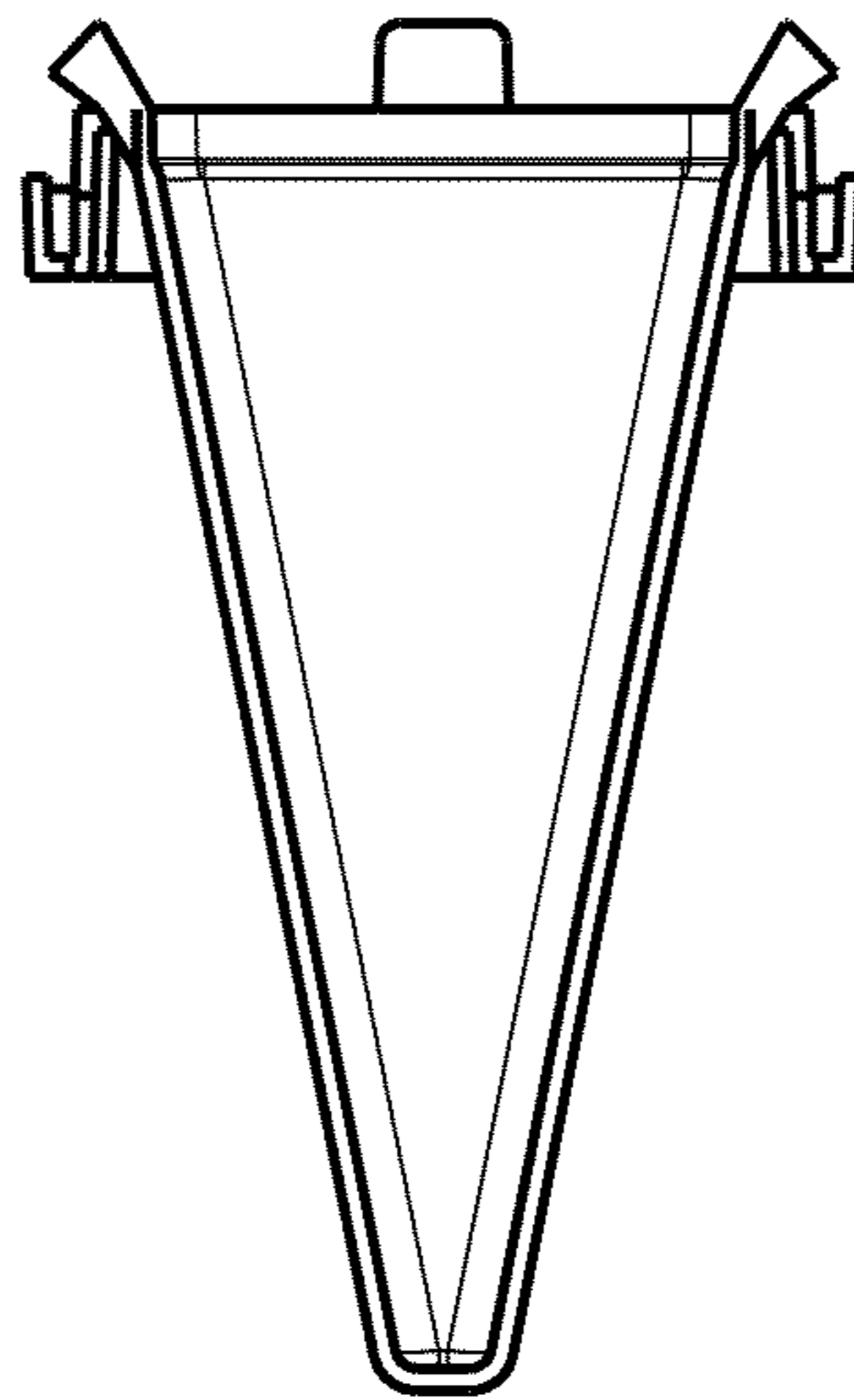


Fig. 4

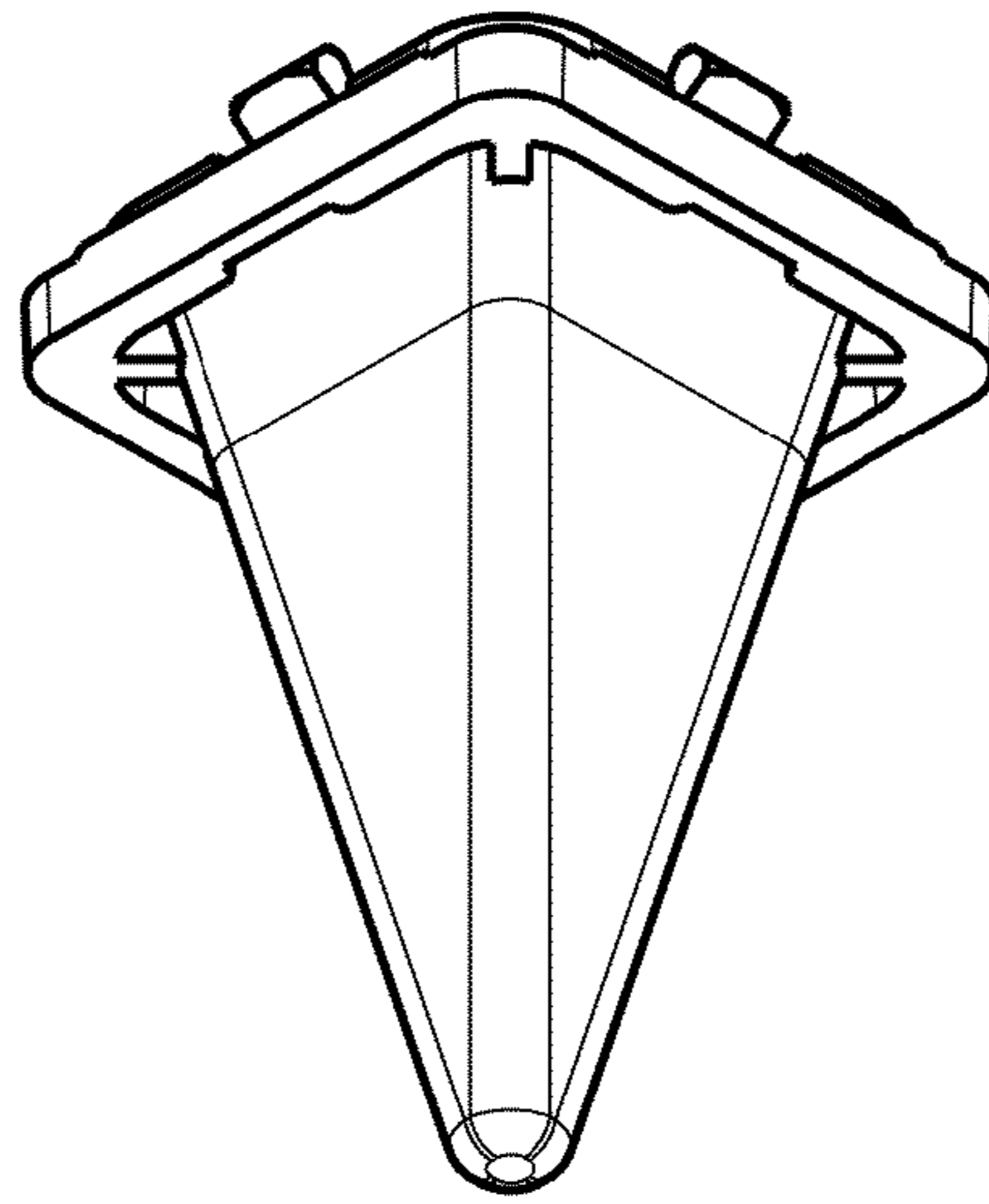


Fig. 5

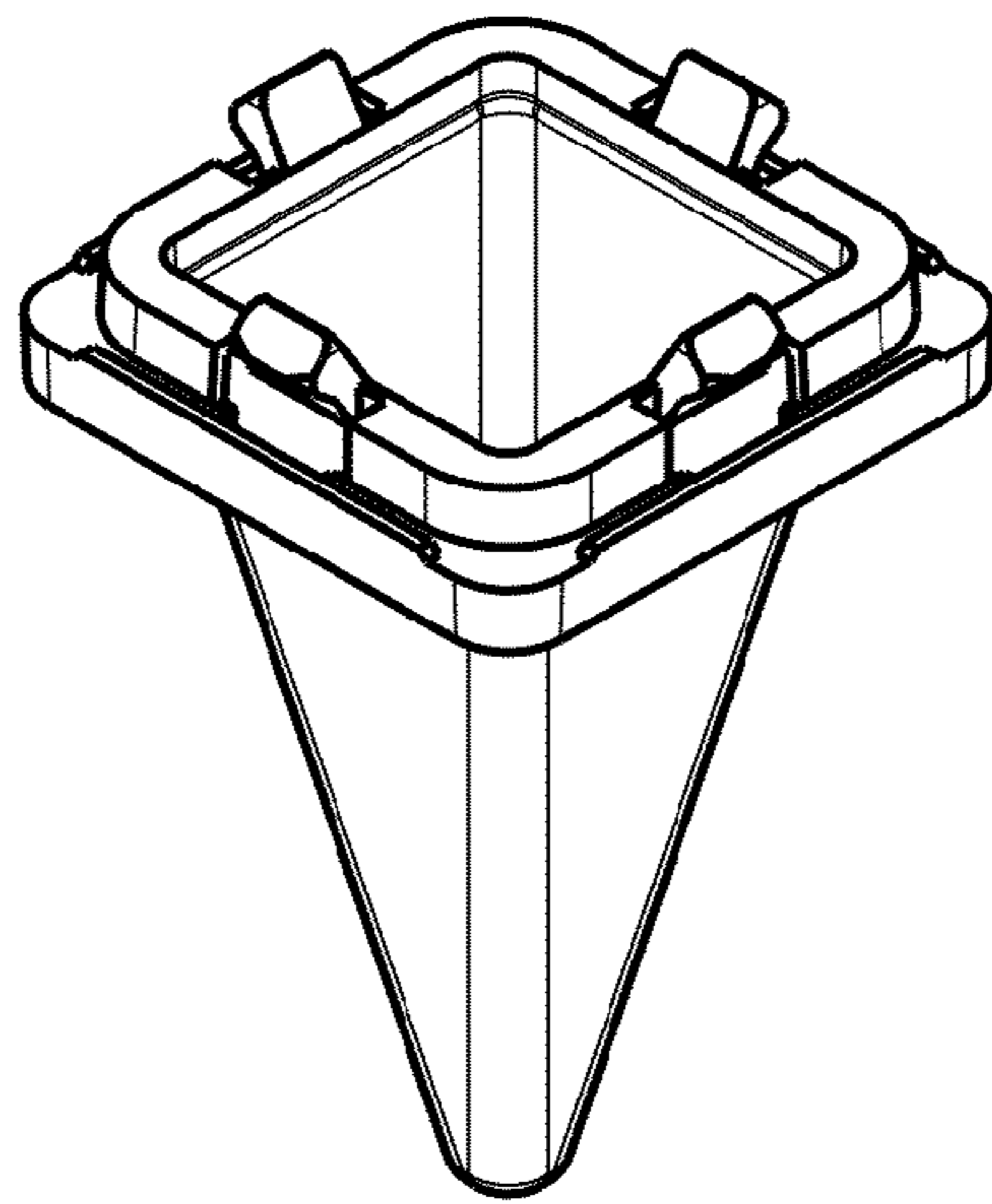


Fig. 6

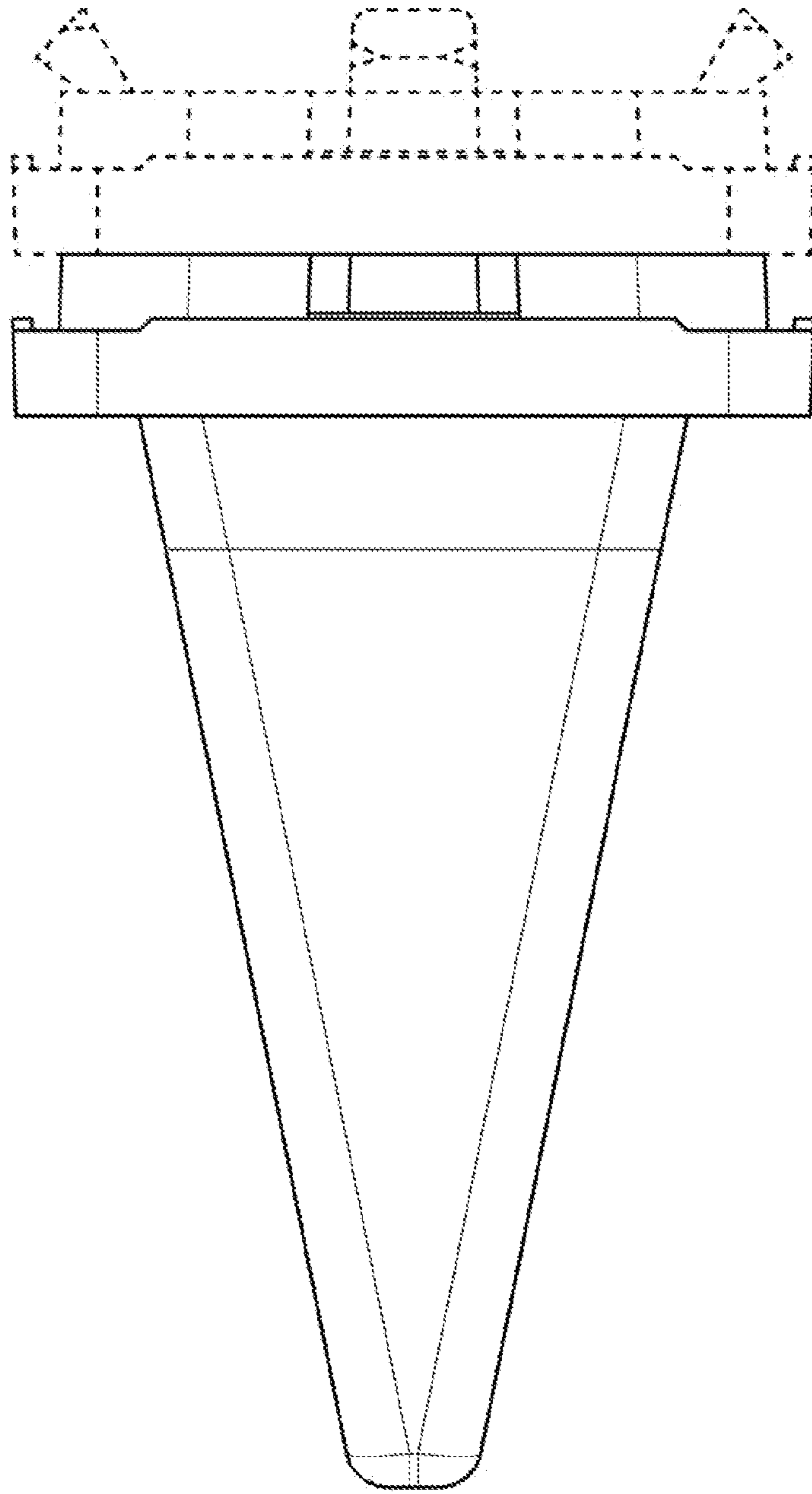


Fig. 7

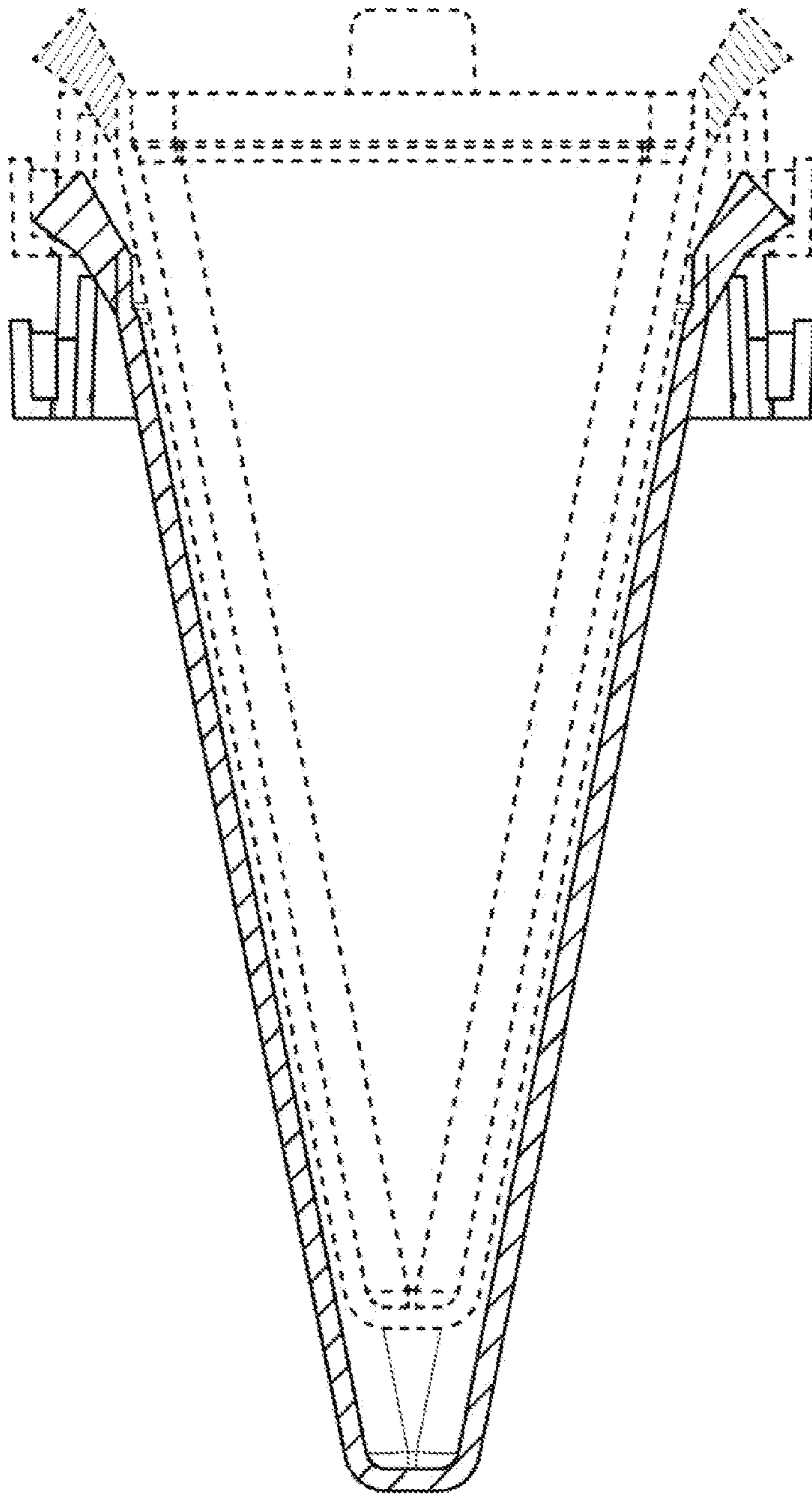


Fig. 8

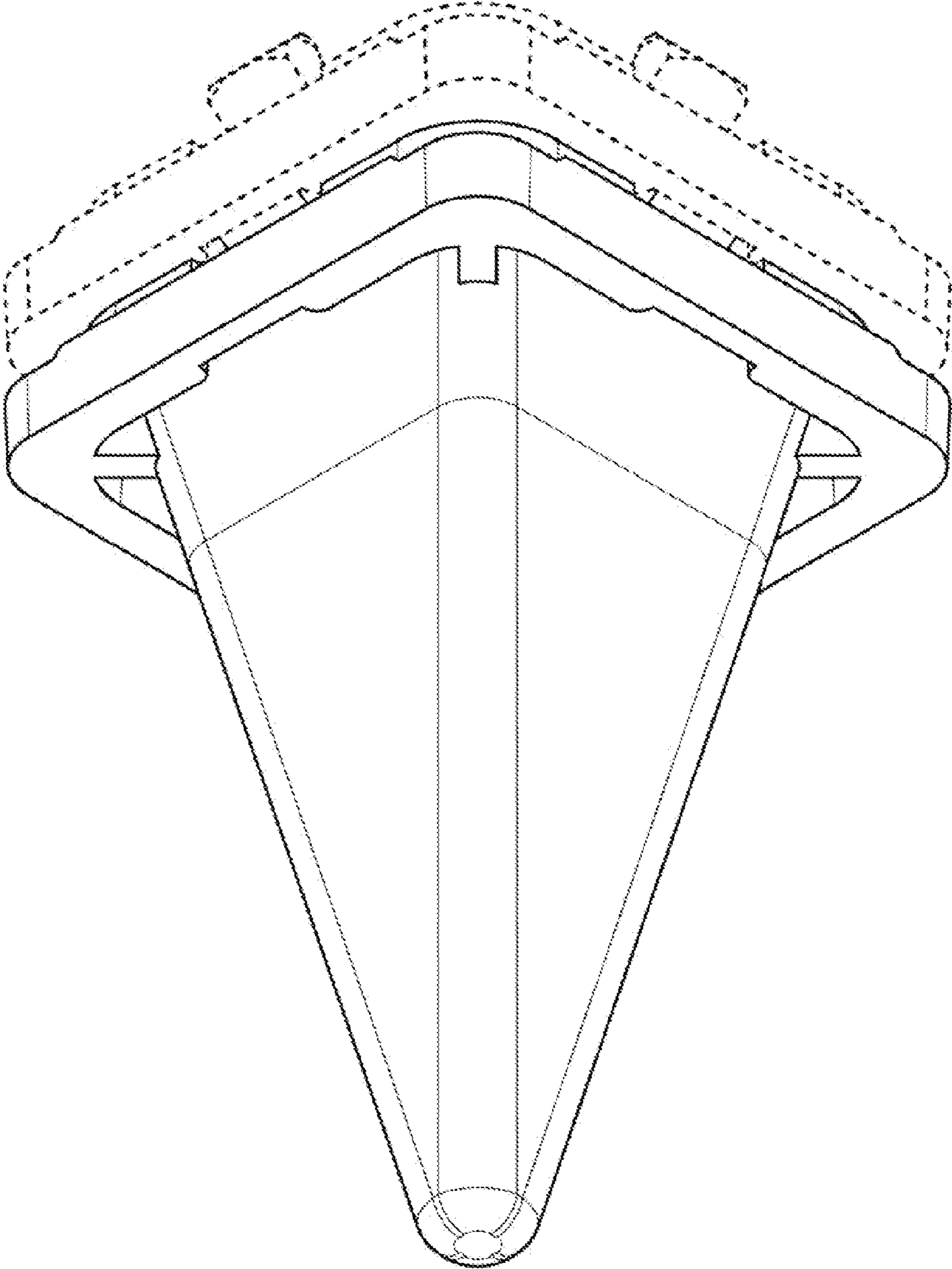


Fig. 9

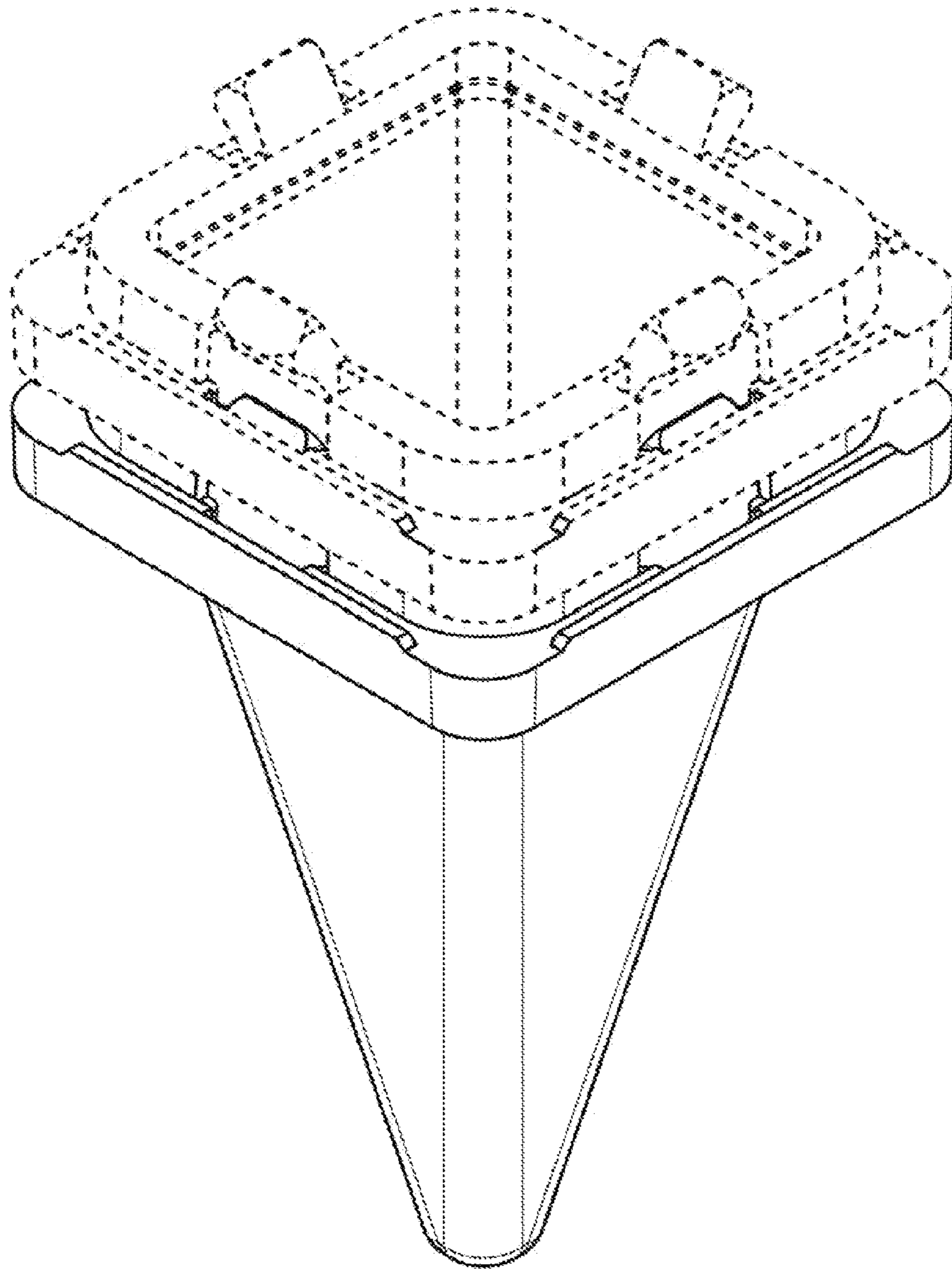


Fig. 10