



US00D687964S

(12) **United States Design Patent**  
**Trump**

(10) **Patent No.:** **US D687,964 S**

(45) **Date of Patent:** **\*\* Aug. 13, 2013**

(54) **CUVETTE**

(71) Applicant: **Martin Trump**, Pforzheim (DE)

(72) Inventor: **Martin Trump**, Pforzheim (DE)

(73) Assignee: **STRATEC Biomedical AG**, Birkenfeld (DE)

(\*\*) Term: **14 Years**

(21) Appl. No.: **29/435,063**

(22) Filed: **Oct. 19, 2012**

(30) **Foreign Application Priority Data**

Apr. 20, 2012 (EM) ..... 002030023-0002

(51) **LOC (9) Cl.** ..... **24-01**

(52) **U.S. Cl.**  
USPC ..... **D24/224**

(58) **Field of Classification Search**  
USPC ..... D24/216-217, 219, 223-226, 227,  
D24/229-231, 232, 107, 121-123; D10/81;  
422/500, 547, 554, 556; 435/288.1, 304.1,  
435/304.3; D9/500, 516, 519-521, 545,  
D9/549, 558

See application file for complete search history.

(56) **References Cited**

**U.S. PATENT DOCUMENTS**

D258,266 S \* 2/1981 Curran et al. .... D24/224  
D330,428 S \* 10/1992 Lewis et al. .... D24/224  
D342,793 S \* 12/1993 Balmer ..... D24/224  
D380,555 S \* 7/1997 Kurosaki et al. .... D24/224

D401,700 S \* 11/1998 Gray et al. .... D24/224  
6,117,391 A \* 9/2000 Mootz et al. .... 422/65  
D560,816 S \* 1/2008 Talmer et al. .... D24/224  
D583,481 S \* 12/2008 Yamamoto et al. .... D24/224  
D661,403 S \* 6/2012 Connelly et al. .... D24/224  
2010/0137778 A1 \* 6/2010 Kunjan et al. .... 435/287.1  
2012/0156796 A1 \* 6/2012 Drechsler et al. .... 436/164

\* cited by examiner

*Primary Examiner* — Anhdao Doan

(74) *Attorney, Agent, or Firm* — 24IP Law Group; Timothy R. DeWitt

(57) **CLAIM**

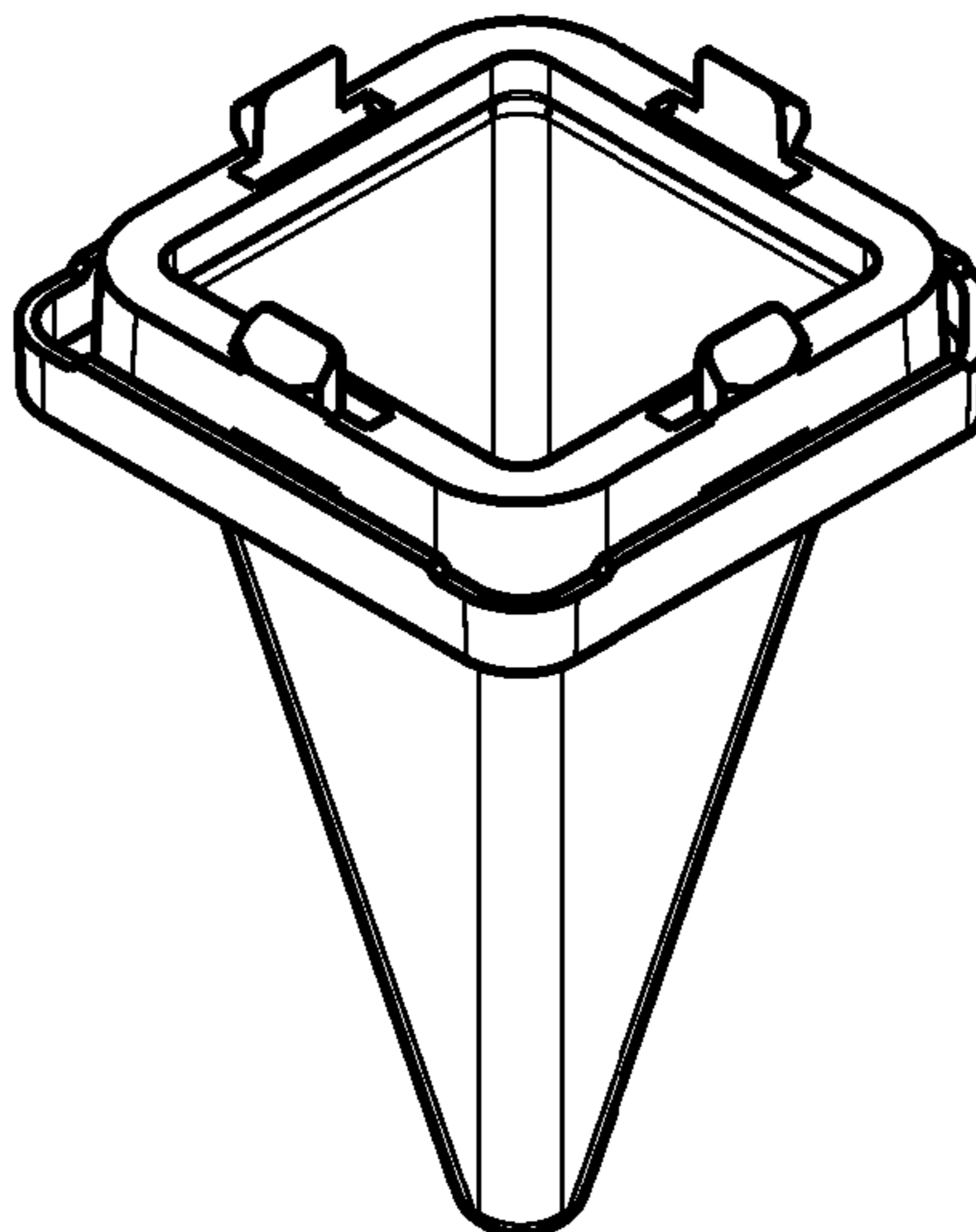
The ornamental design for a cuvette, as shown and described.

**DESCRIPTION**

FIG. 1 is a top view of the design;  
FIG. 2 is a bottom view of the design;  
FIG. 3 is a side view of the design that is identical from all four sides;  
FIG. 4 is a cutaway view of the design through the center of the design;  
FIG. 5 is a bottom perspective view of the design;  
FIG. 6 is a top perspective view of the design;  
FIG. 7 is a stacked view of the design in which one of the designs is stacked in a another one of the designs;  
FIG. 8 is a bottom perspective of the stacked version of the design; and,  
FIG. 9 is a top perspective view of the stacked version of the design.

The other cuvette shown in broken lines in FIGS. 7-9 represents the environmental subject matter that forms no part of the claimed design.

**1 Claim, 9 Drawing Sheets**



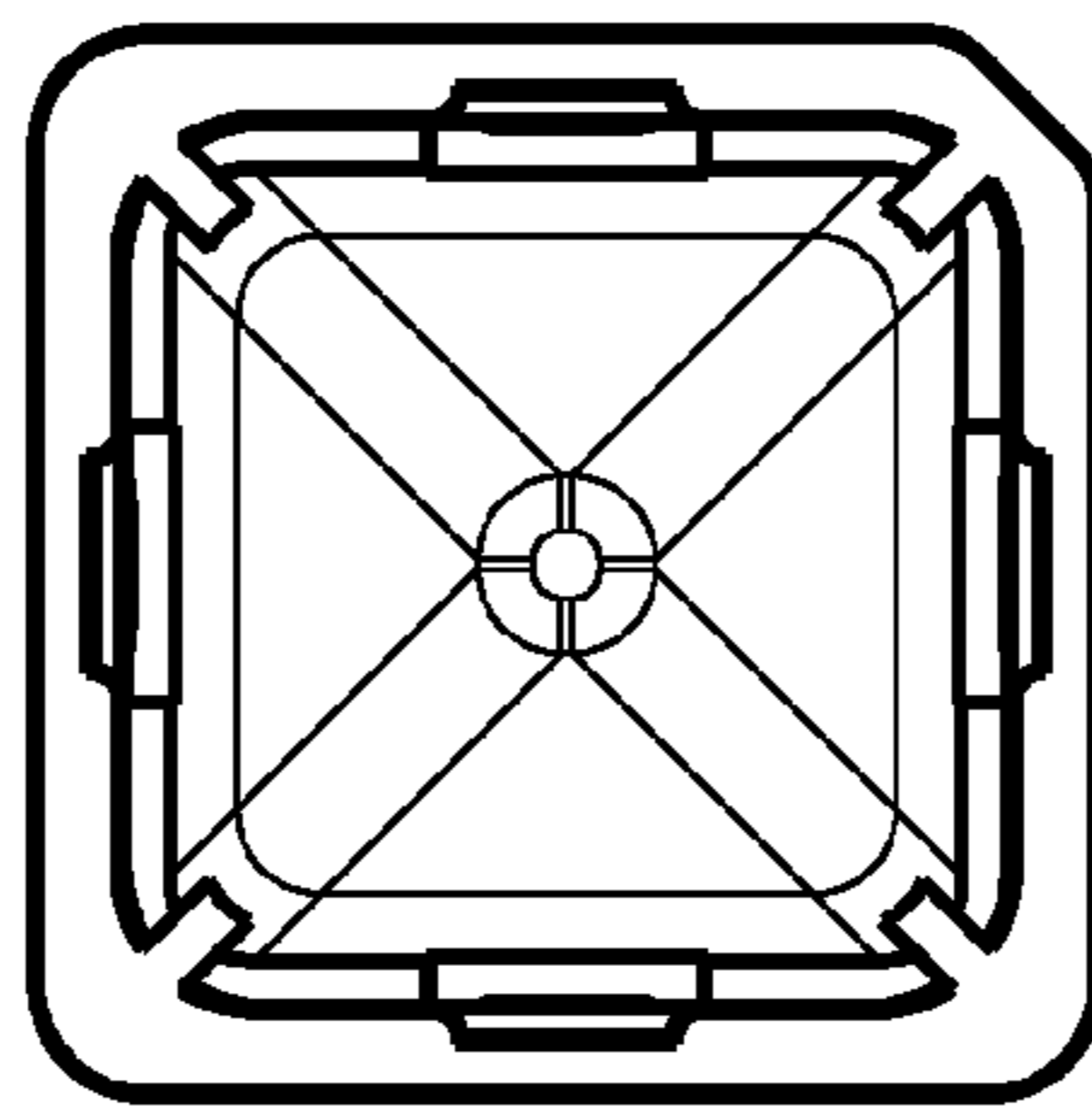


Fig. 1

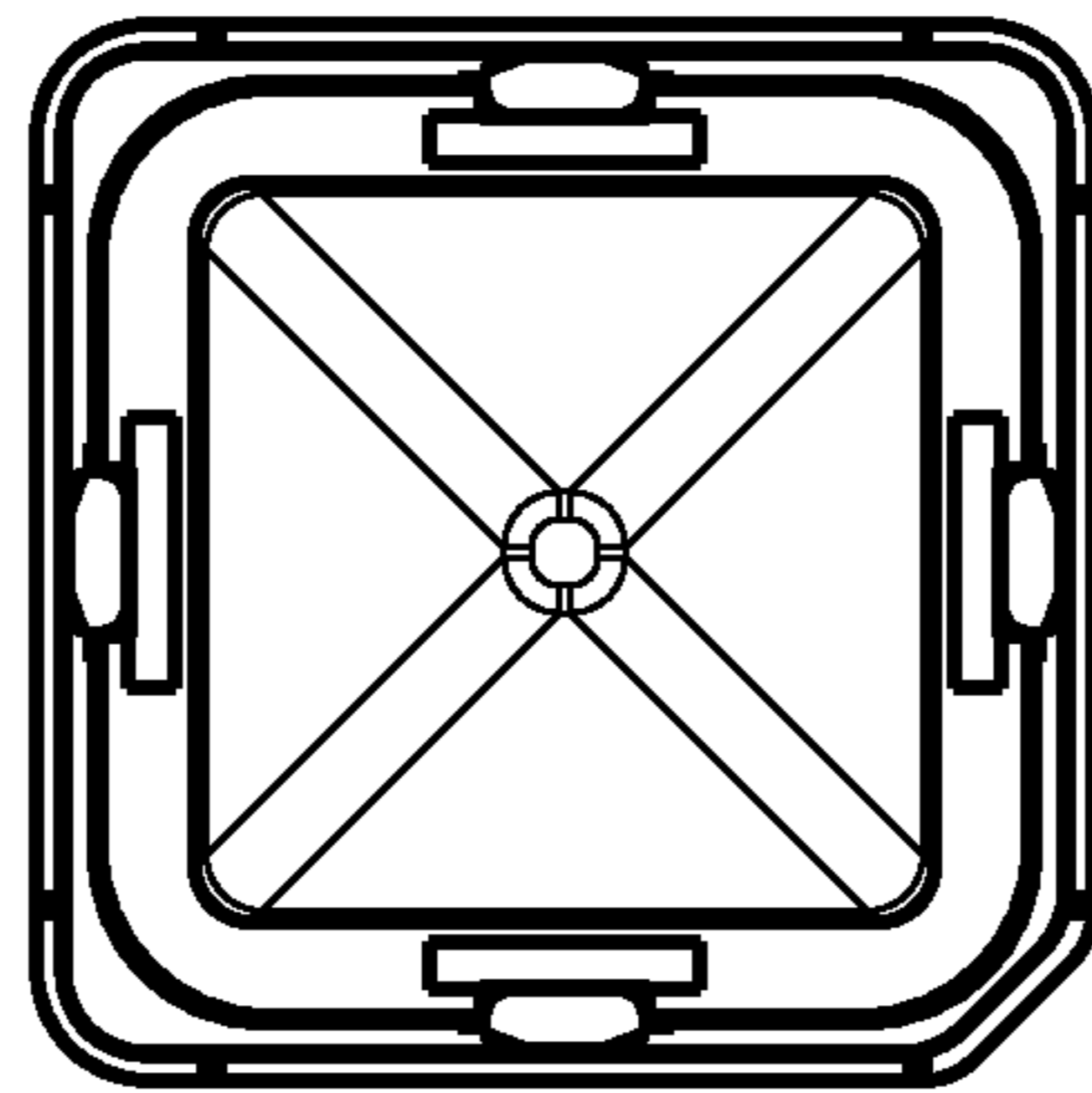


Fig. 2

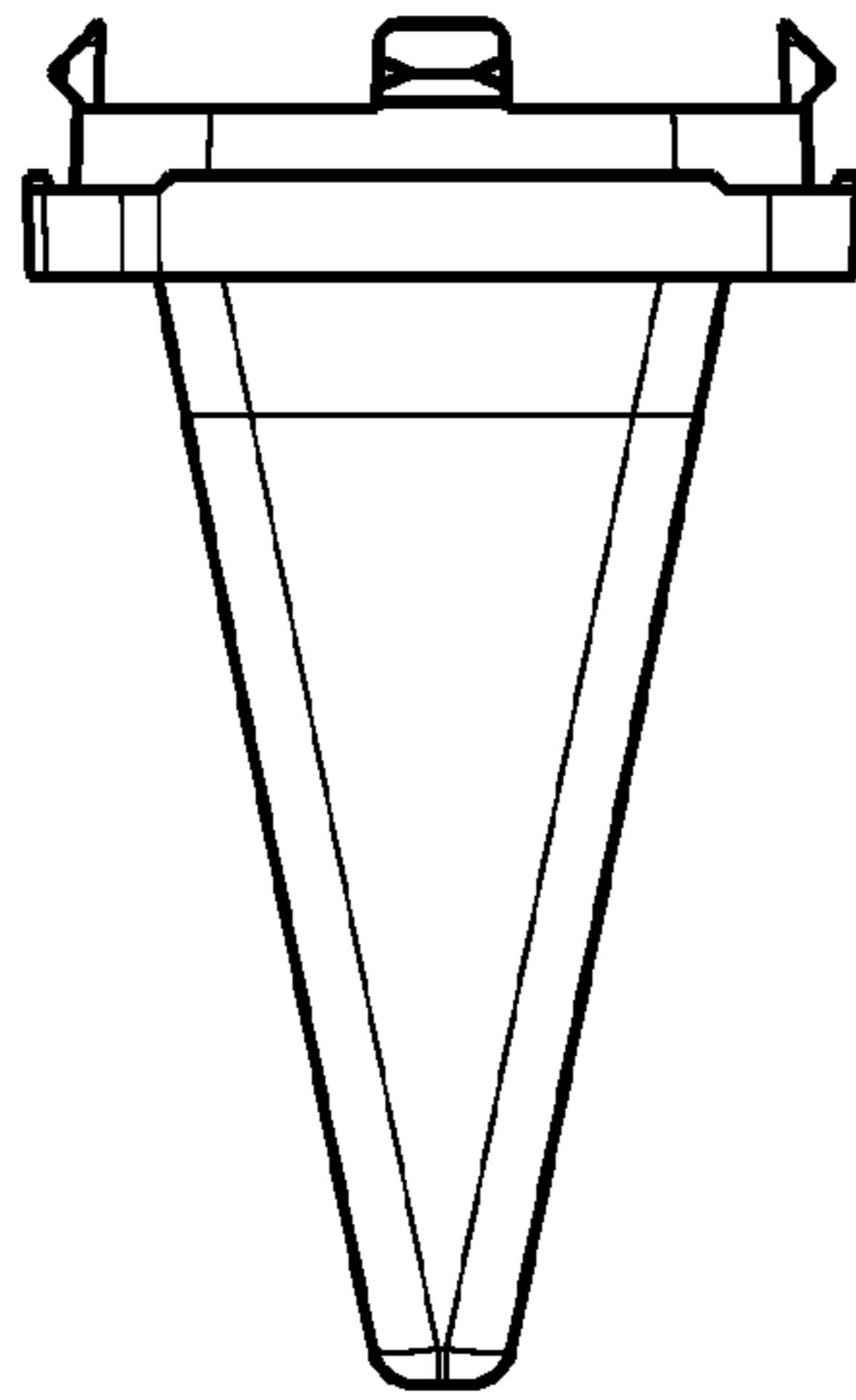


Fig. 3

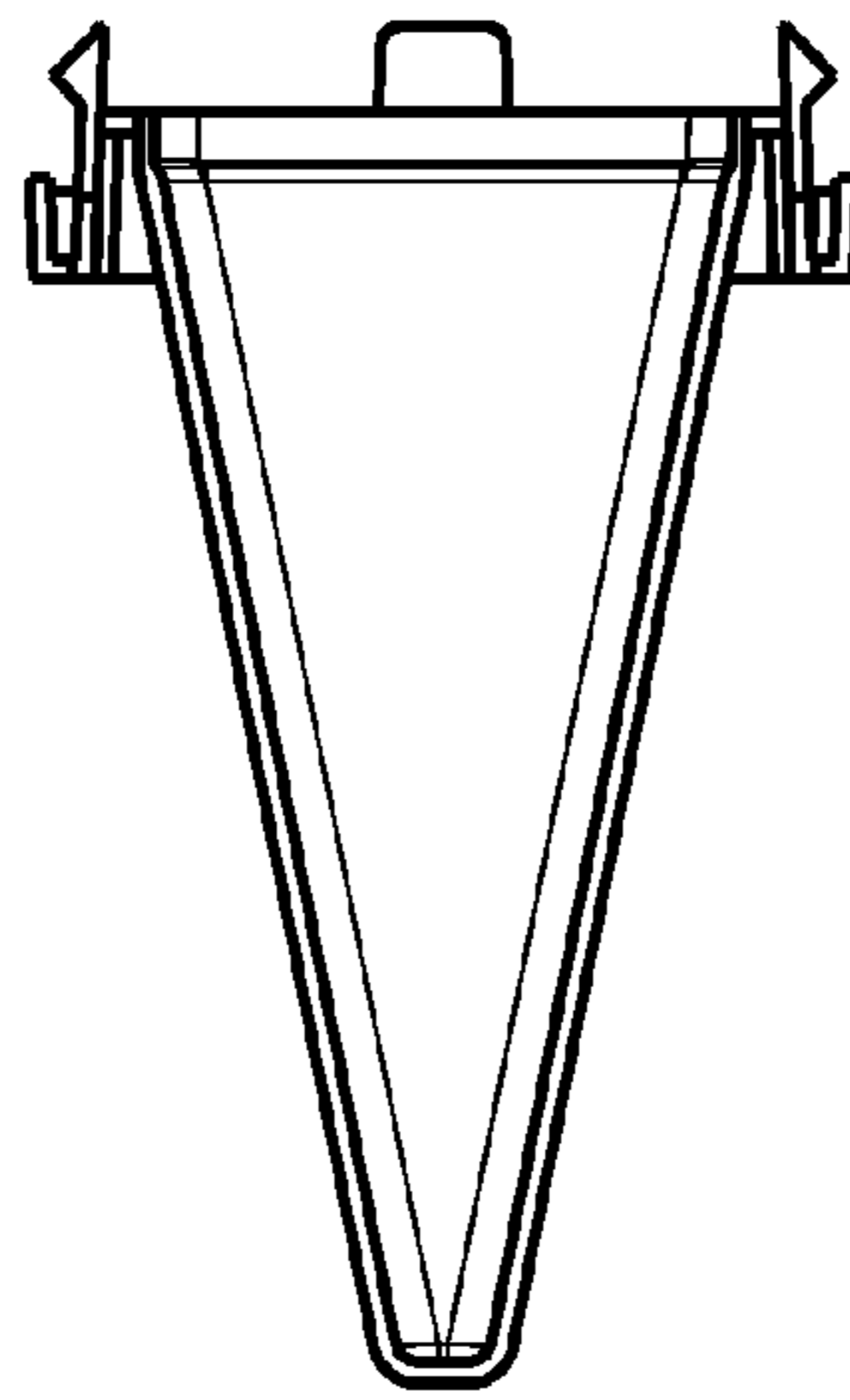


Fig. 4

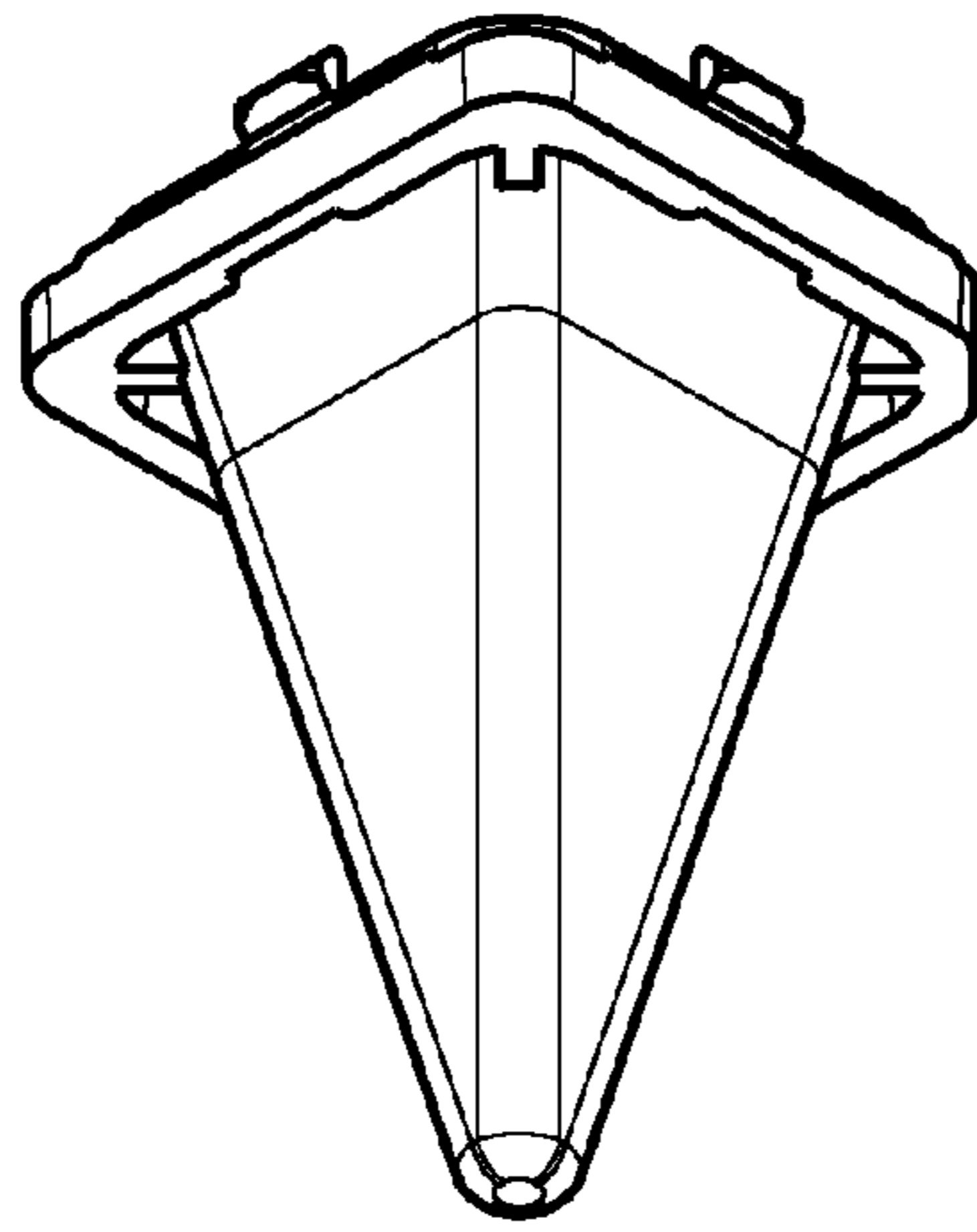


Fig. 5

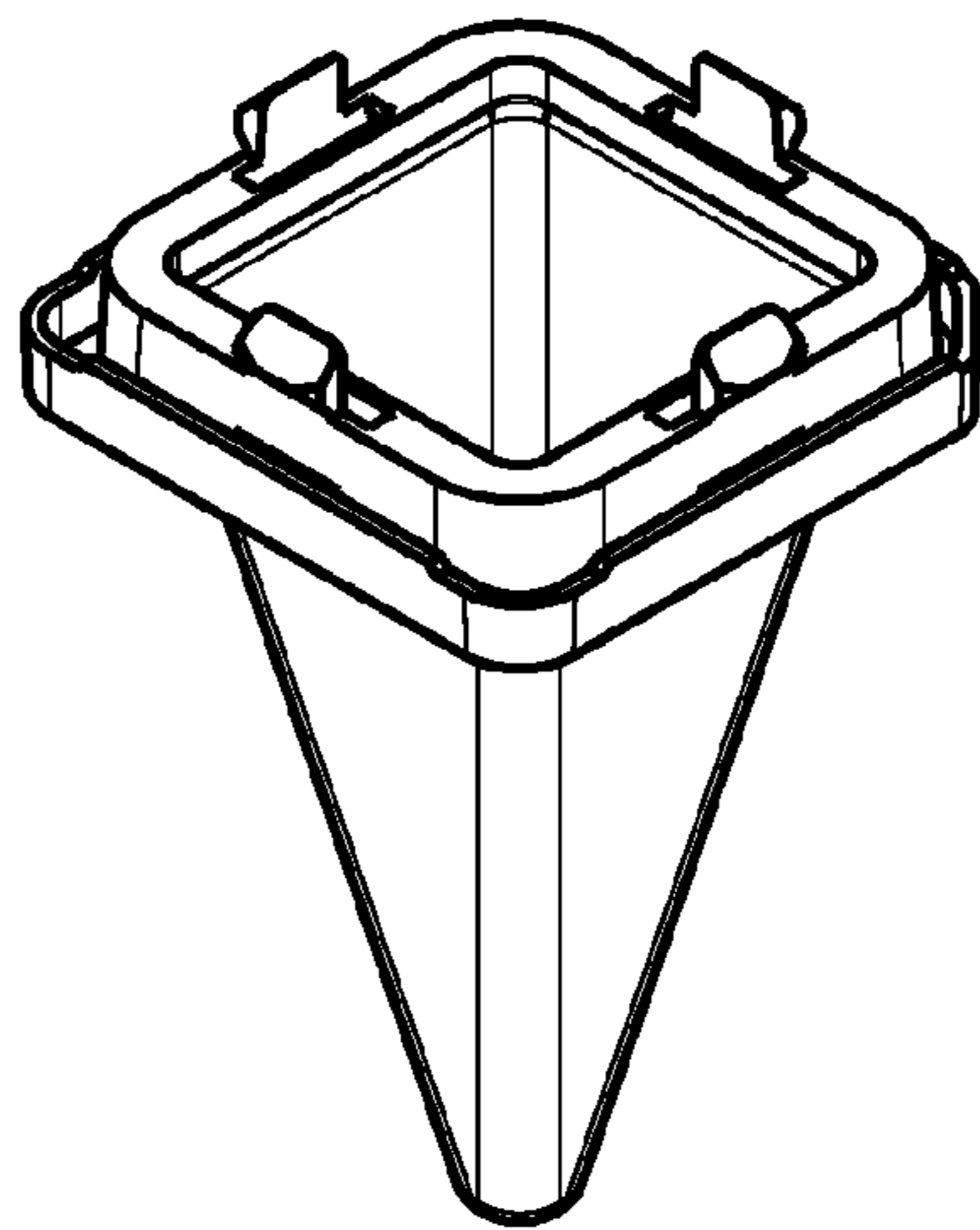


Fig. 6

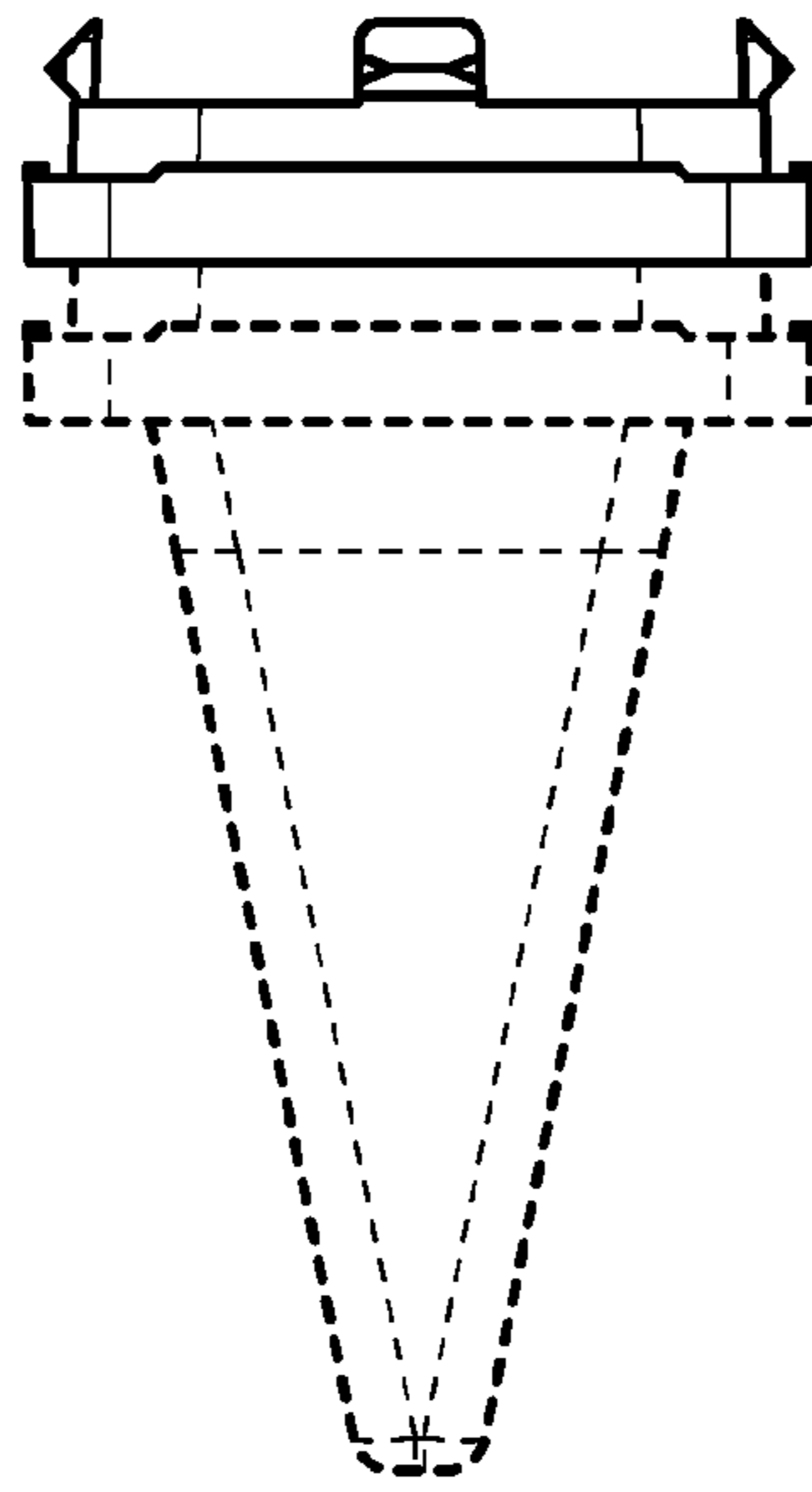


Fig. 7



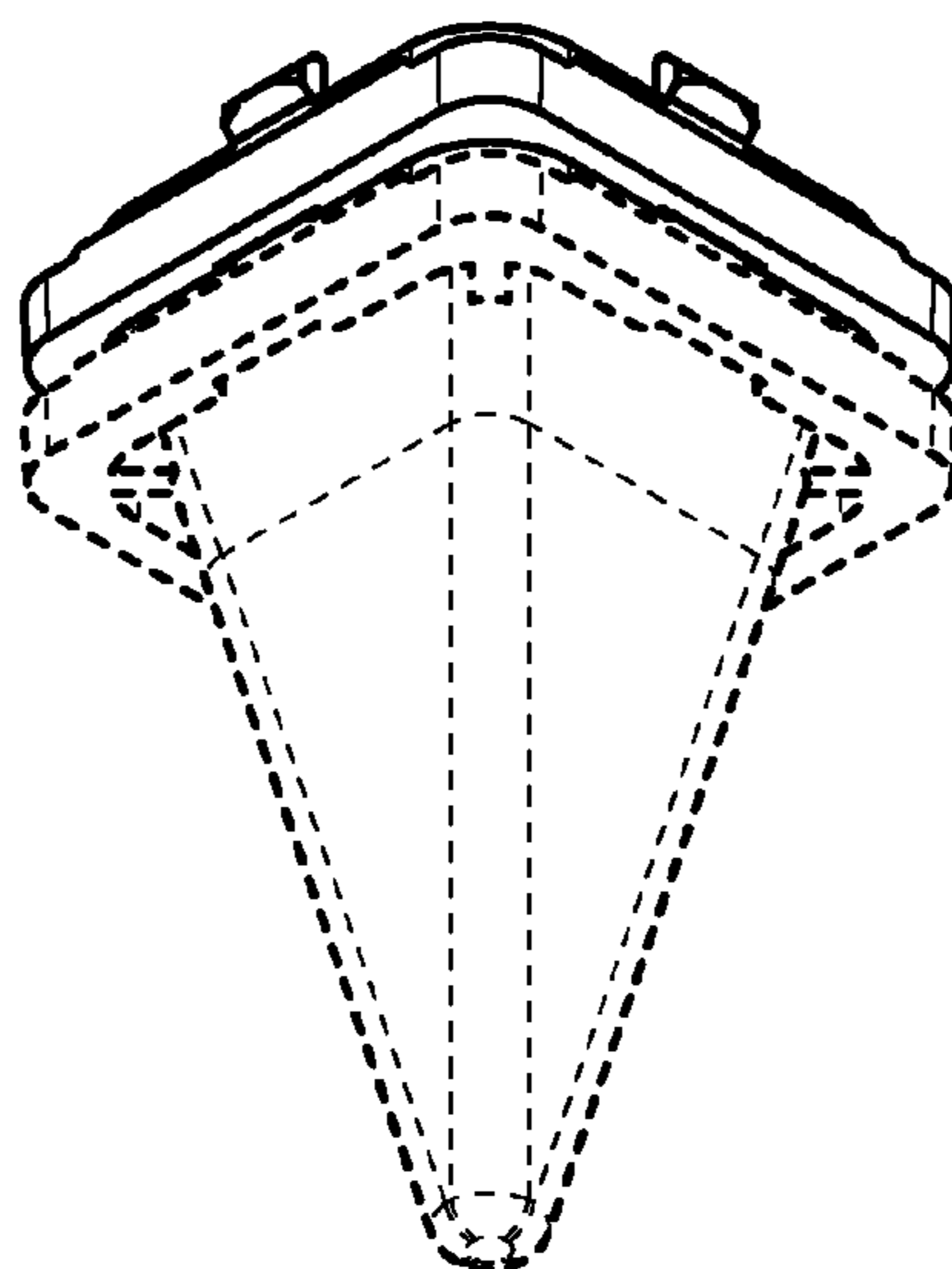


Fig. 8

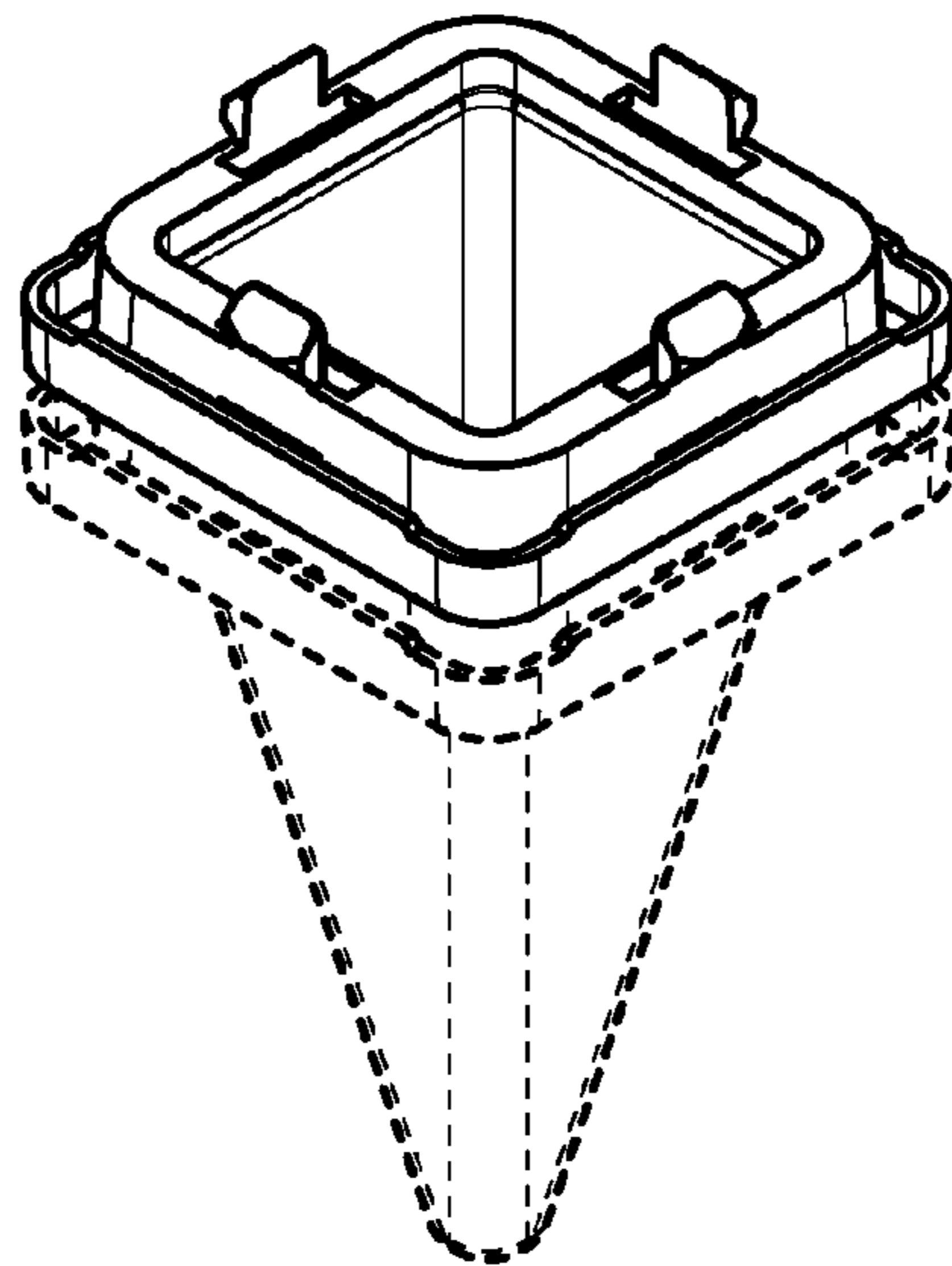


Fig. 9