



US00D687963S

(12) **United States Design Patent**  
**Perpeet**

(10) **Patent No.:** **US D687,963 S**

(45) **Date of Patent:** **\*\* Aug. 13, 2013**

(54) **LABORATORY ANALYSIS APPARATUS**

(75) **Inventor:** **Markus Perpeet, Bonn (DE)**

(73) **Assignee:** **Saw Instruments GmbH, Bonn (DE)**

(\*\*) **Term:** **14 Years**

(21) **Appl. No.:** **29/420,253**

(22) **Filed:** **May 7, 2012**

(30) **Foreign Application Priority Data**

Nov. 8, 2011 (EM) ..... 001944216-0001

(51) **LOC (9) Cl.** ..... **24-01**

(52) **U.S. Cl.**  
USPC ..... **D24/216**

(58) **Field of Classification Search**  
USPC ..... D24/216, 217, 219, 223–226, 231,  
D24/232, 107, 169, 186; D10/81; 422/500,  
422/547, 62–65, 67; 435/287.1, 287.3; 436/43,  
436/45, 47

See application file for complete search history.

(56) **References Cited**

**U.S. PATENT DOCUMENTS**

D320,073 S \* 9/1991 Sakagami et al. .... D24/232  
D381,756 S \* 7/1997 Ohnuma et al. .... D24/232  
D394,613 S \* 5/1998 Kamimura et al. .... D10/81  
D474,279 S \* 5/2003 Mayer et al. .... D24/232  
D603,972 S \* 11/2009 Petersen et al. .... D24/216  
D652,147 S \* 1/2012 Isozaki ..... D24/216

D663,040 S \* 7/2012 Oonuma et al. .... D24/216  
D665,917 S \* 8/2012 TerMaat et al. .... D24/216  
2003/0170145 A1 \* 9/2003 Smith et al. .... 422/68.1  
2010/0212438 A1 \* 8/2010 Tanaka et al. .... 422/63  
2010/0254854 A1 \* 10/2010 Rich et al. .... 422/64

\* cited by examiner

*Primary Examiner* — Anhdao Doan

(74) *Attorney, Agent, or Firm* — McCarter & English, LLP

(57) **CLAIM**

The ornamental design for a laboratory analysis apparatus, as shown and described.

**DESCRIPTION**

FIG. 1 is a perspective view of the front and left sides of a laboratory analysis apparatus showing my new design;

FIG. 2 is a perspective view of the front and right side of the laboratory analysis apparatus of FIG. 1;

FIG. 3 is a front elevational view of the laboratory analysis apparatus of FIG. 1;

FIG. 4 is a left side elevational view of the laboratory analysis apparatus of FIG. 1;

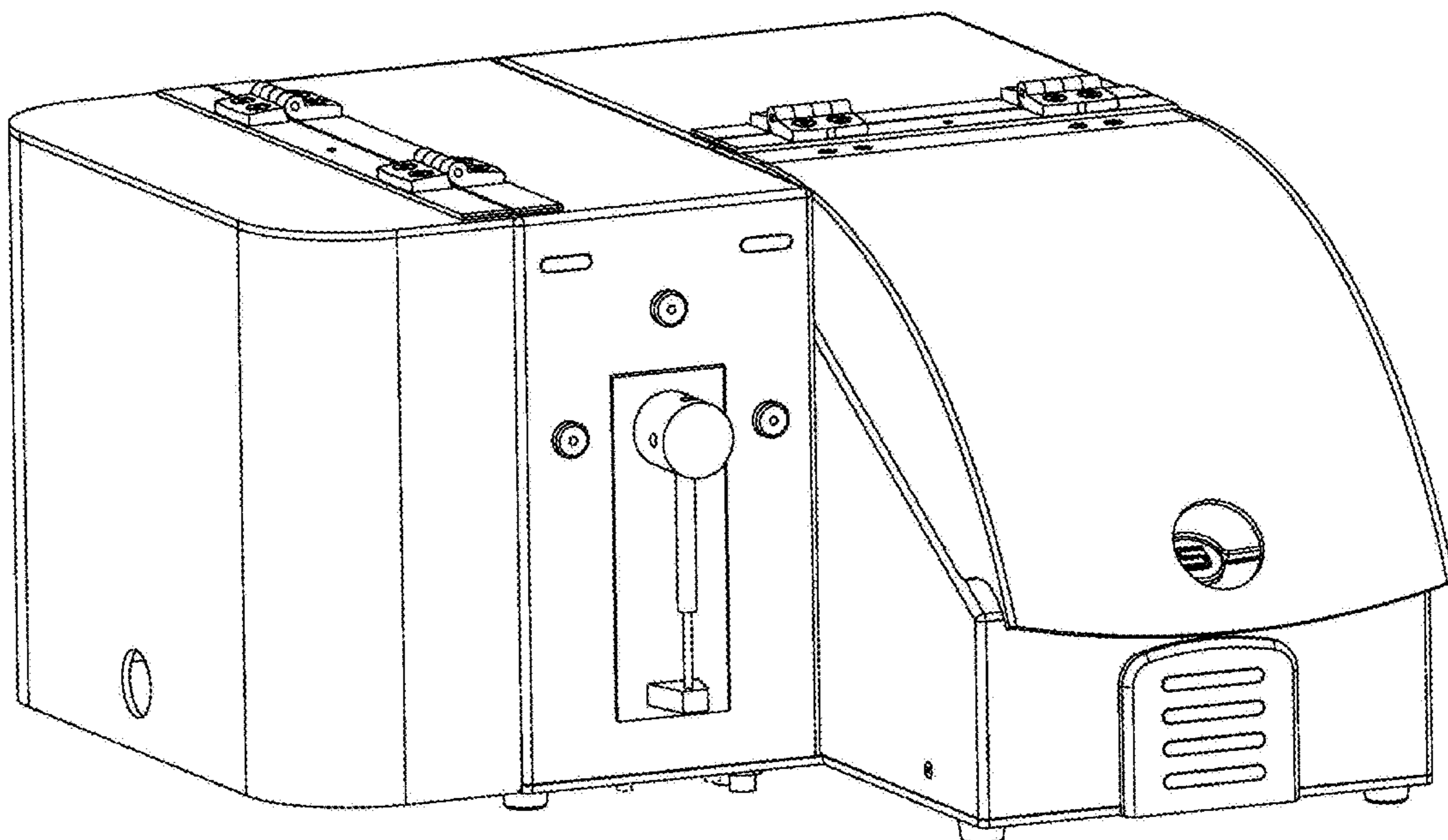
FIG. 5 is a right side elevational view of the laboratory analysis apparatus of FIG. 1;

FIG. 6 is a top view of the laboratory analysis apparatus of FIG. 1; and,

FIG. 7 is a rear elevational view of the laboratory analysis apparatus of FIG. 1.

The broken lines in the drawing views are included for the purpose of illustrating portions of the laboratory analysis apparatus that form no part of the claimed design.

**1 Claim, 7 Drawing Sheets**



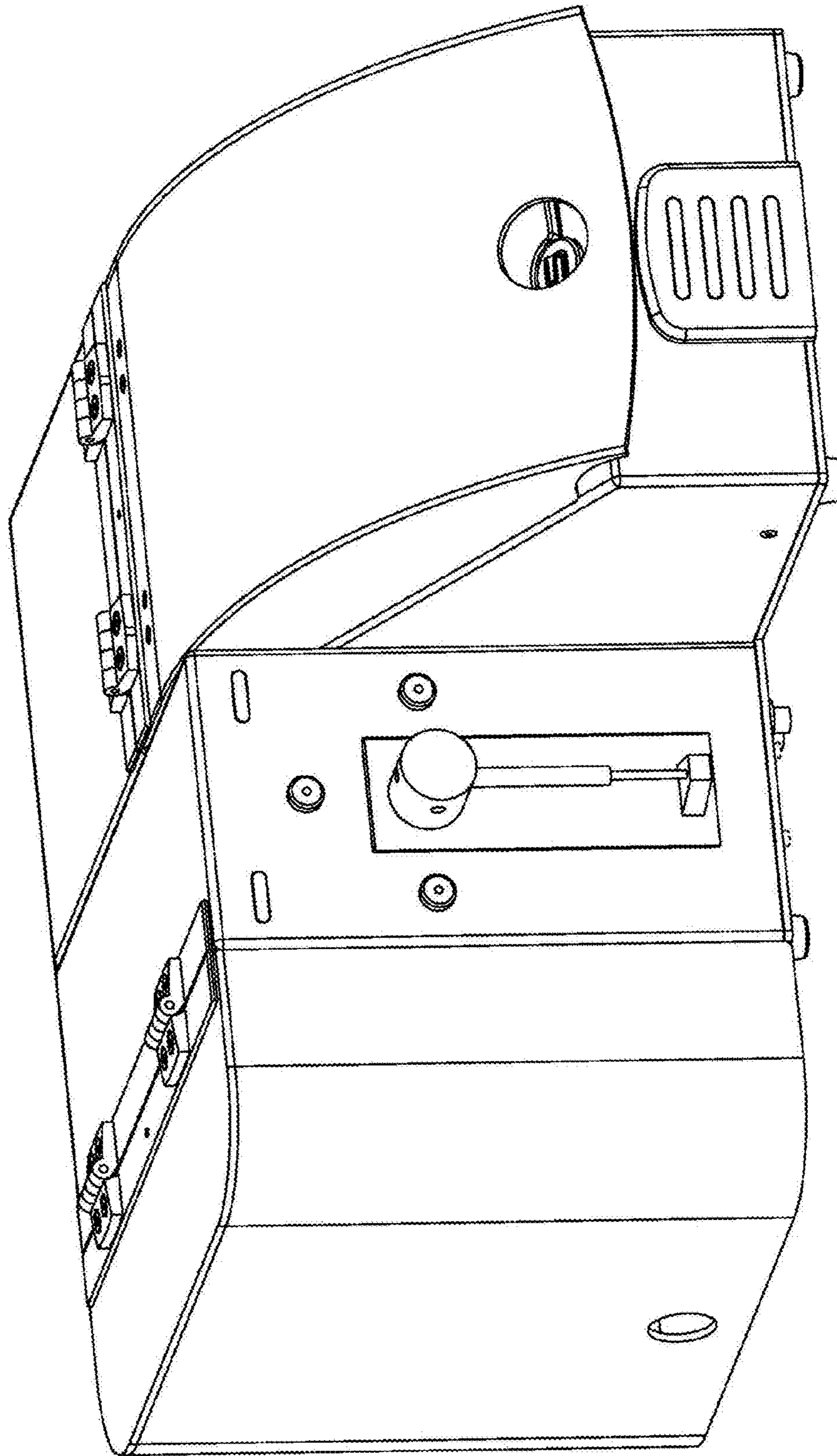


FIG. 1

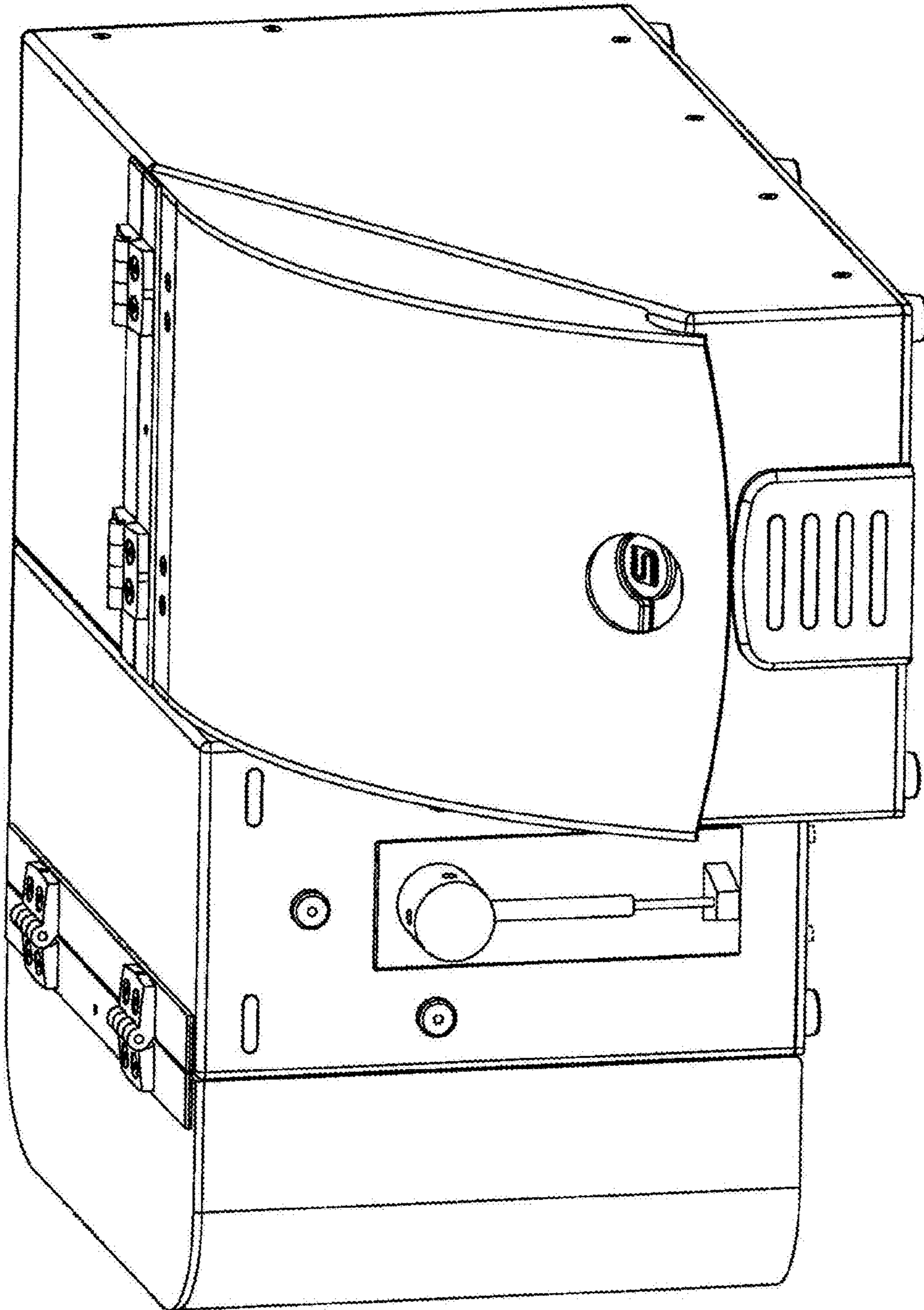


FIG. 2

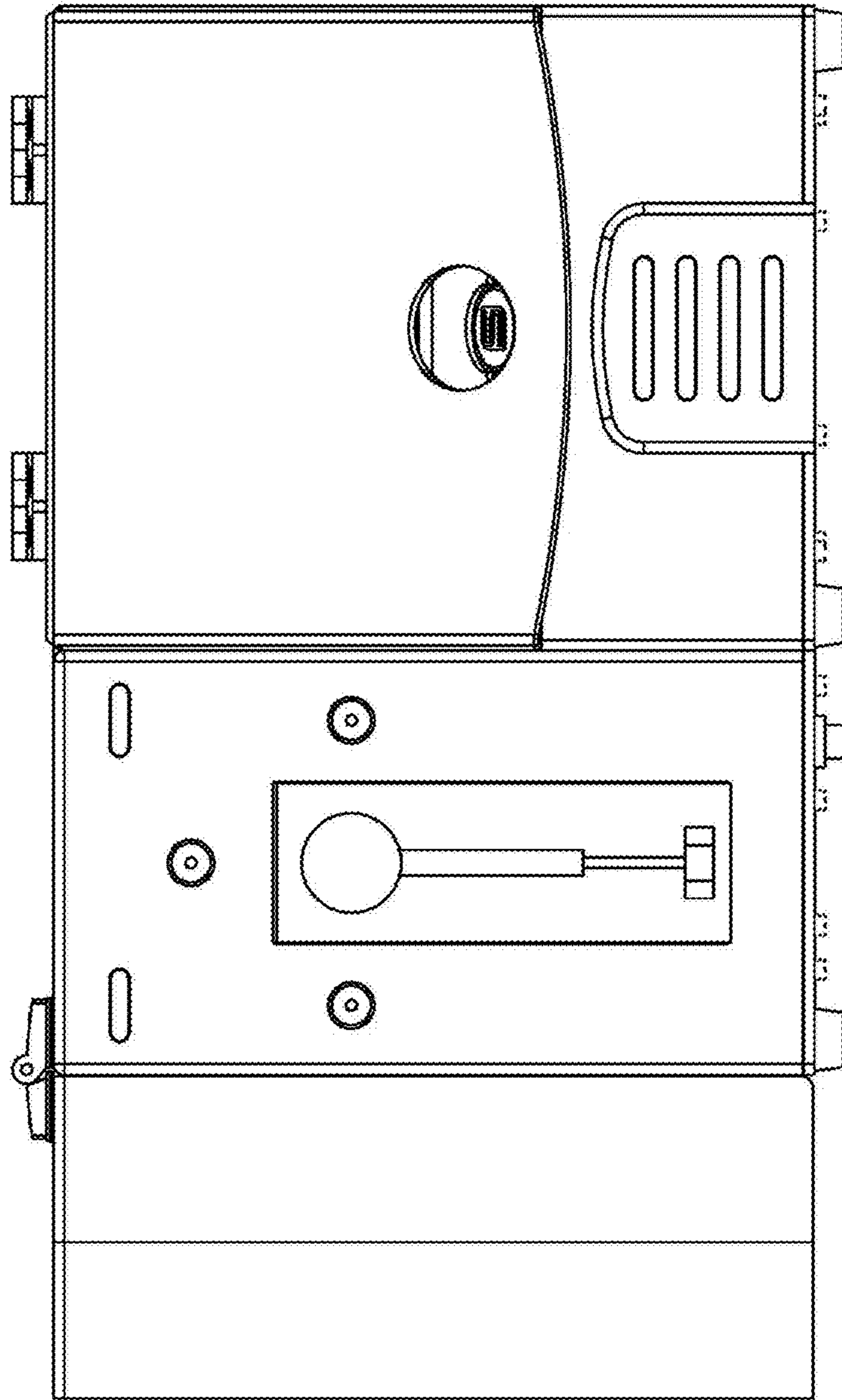


FIG. 3

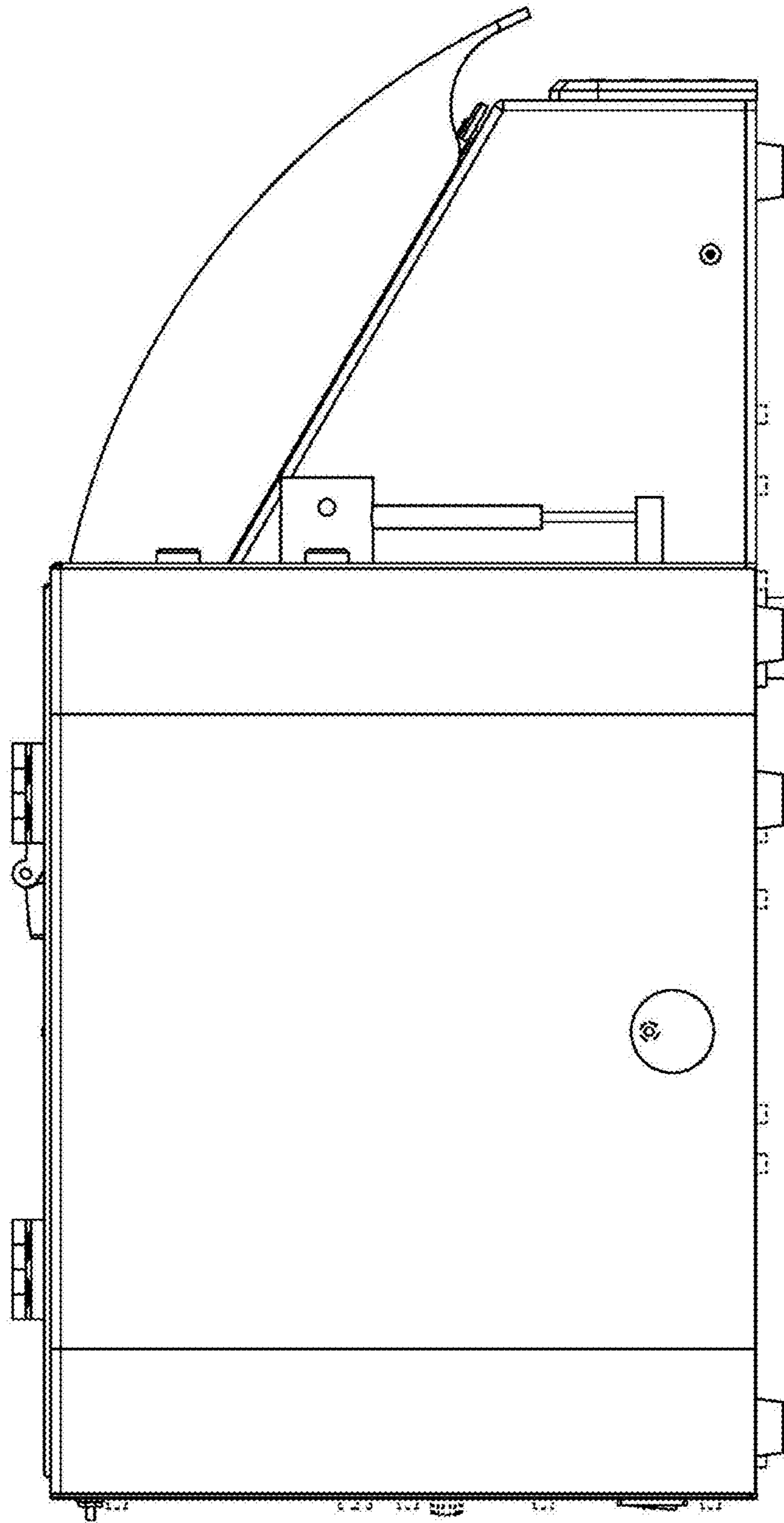


FIG. 4

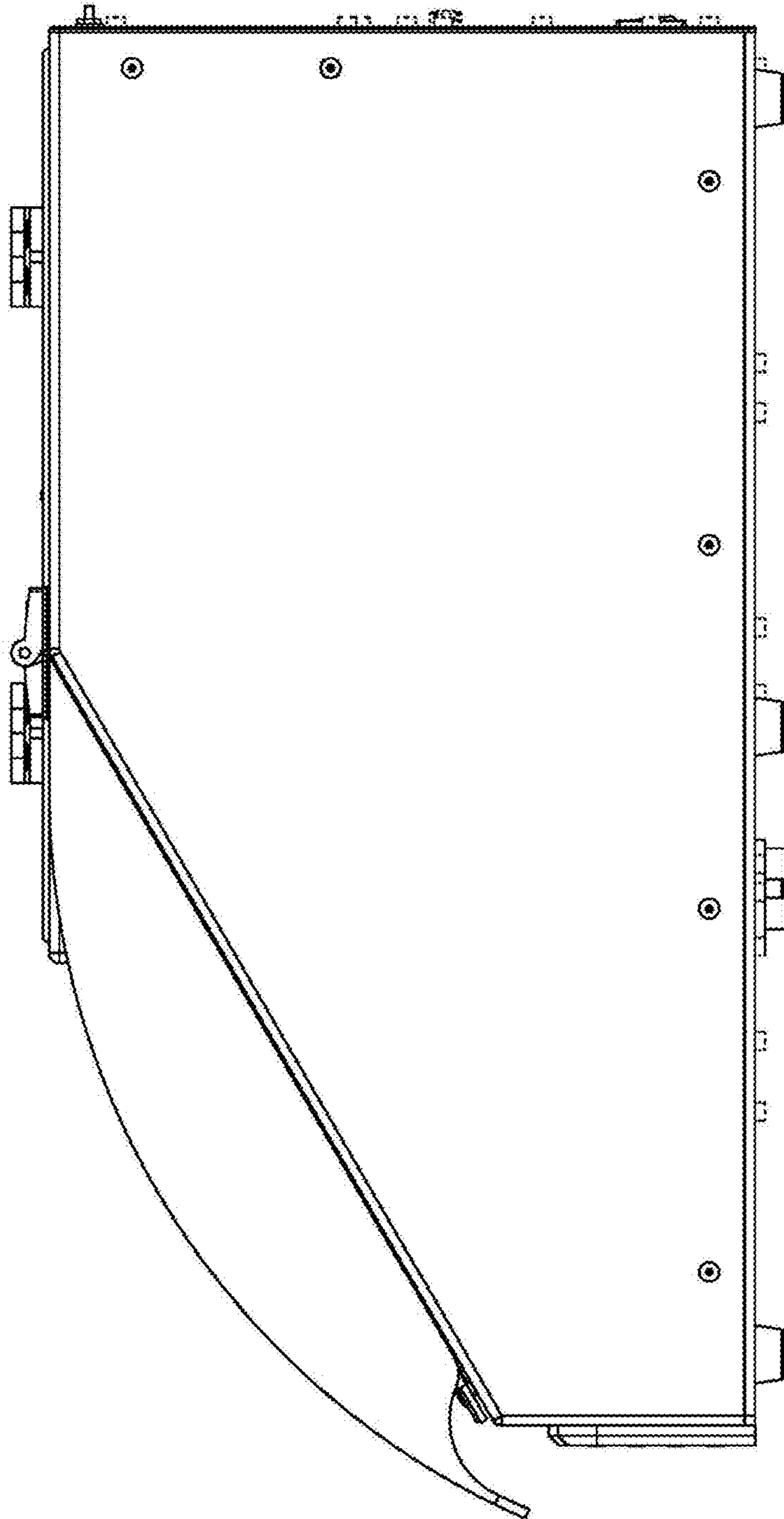


FIG. 5

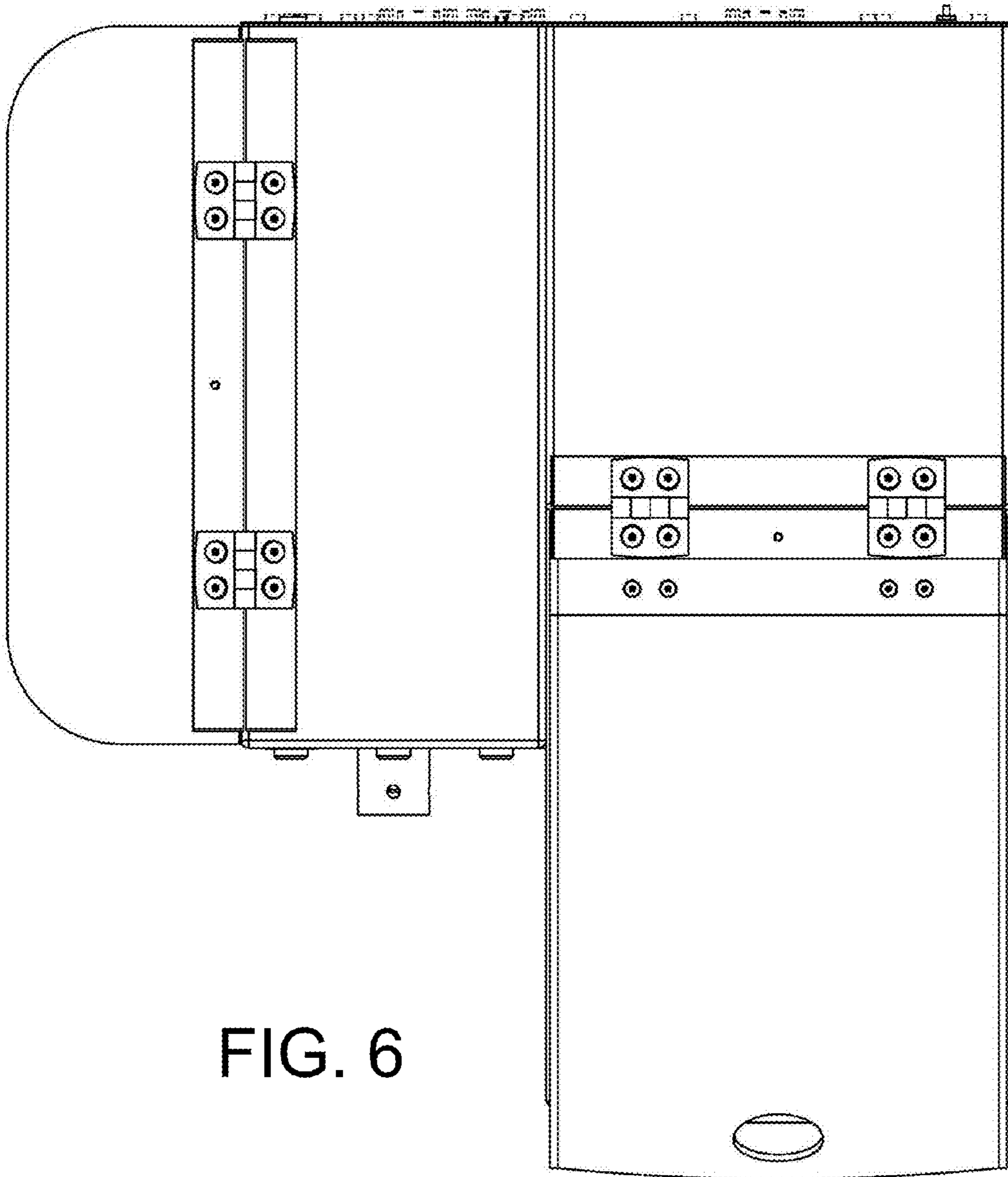


FIG. 6

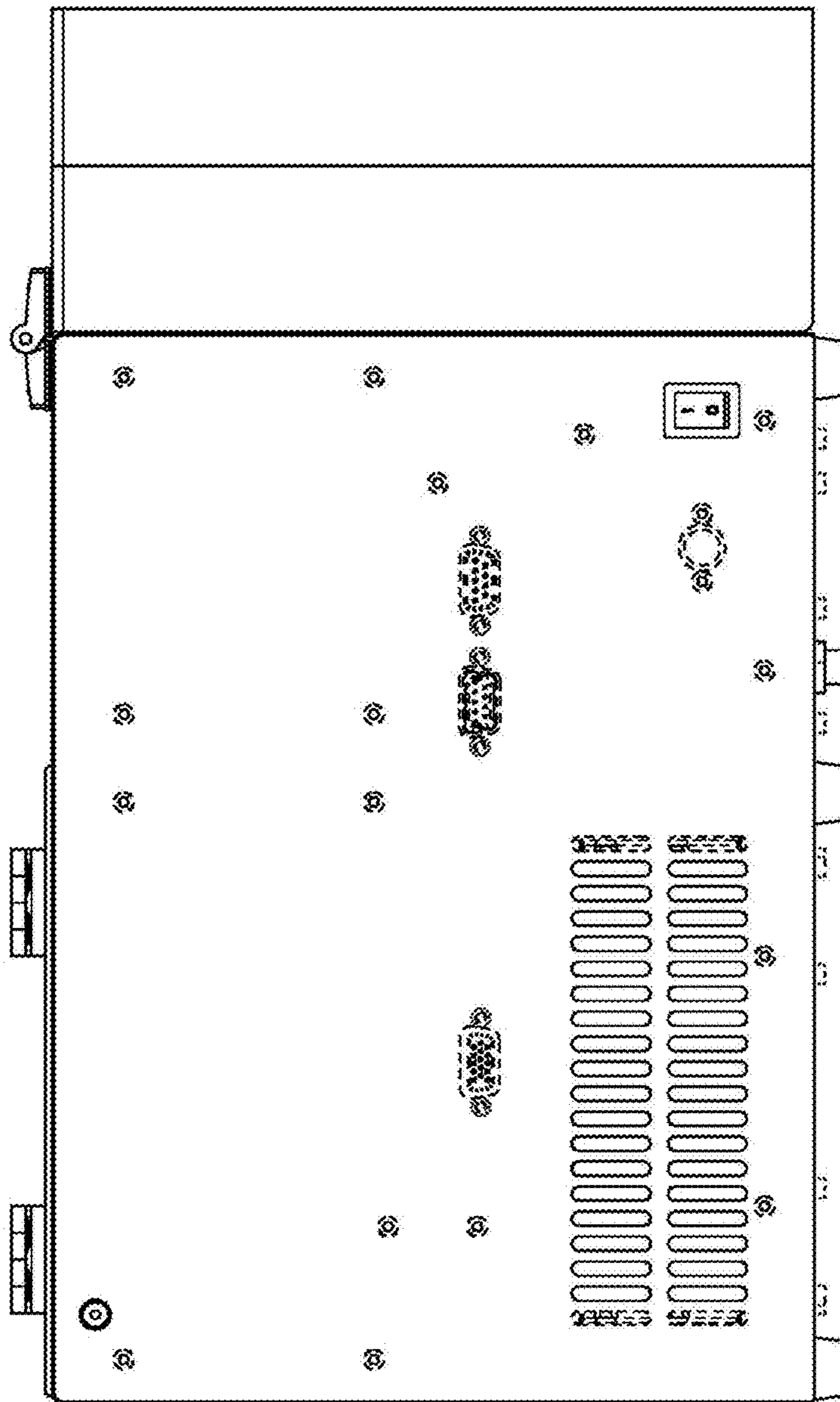


FIG. 7