

US00D687952S

(12) **United States Design Patent**
Dubs

(10) **Patent No.:** **US D687,952 S**

(45) **Date of Patent:** **** Aug. 13, 2013**

(54) **HEARING AID**

(75) Inventor: **Basil Dubs**, Zurich (CH)

(73) Assignee: **Phonak AG**, Stafa (CH)

(**) Term: **14 Years**

(21) Appl. No.: **29/396,025**

(22) Filed: **Jun. 24, 2011**

Related U.S. Application Data

(62) Division of application No. 29/352,703, filed on Dec. 23, 2009, now Pat. No. Des. 642,276.

(30) **Foreign Application Priority Data**

Jun. 29, 2009 (WO) DM/072 071

(51) **LOC (9) Cl.** **24-99**

(52) **U.S. Cl.**
USPC **D24/174**

(58) **Field of Classification Search**
USPC D24/173-175, 106, 151; D14/205,
D14/223, 224, 249; 381/23.1, 312, 322-324,
381/328-330, 334

See application file for complete search history.

(56) **References Cited**

U.S. PATENT DOCUMENTS

5,802,183 A 9/1998 Scheller et al.
D529,612 S * 10/2006 Feeley et al. D24/174

D530,819 S * 10/2006 Jurkiewicz et al. D24/174
D546,455 S 7/2007 Darbut et al.
D572,823 S 7/2008 Niccolai et al.
D587,378 S 2/2009 Powers et al.
D606,657 S 12/2009 Schumaier et al.
D611,607 S 3/2010 Mori et al.
D611,608 S * 3/2010 Mori et al. D24/174
2006/0171550 A1 8/2006 Bryant et al.
2009/0042426 A1 2/2009 Kramer

* cited by examiner

Primary Examiner — Anhdao Doan

(74) *Attorney, Agent, or Firm* — Rankin, Hill & Clark LLP

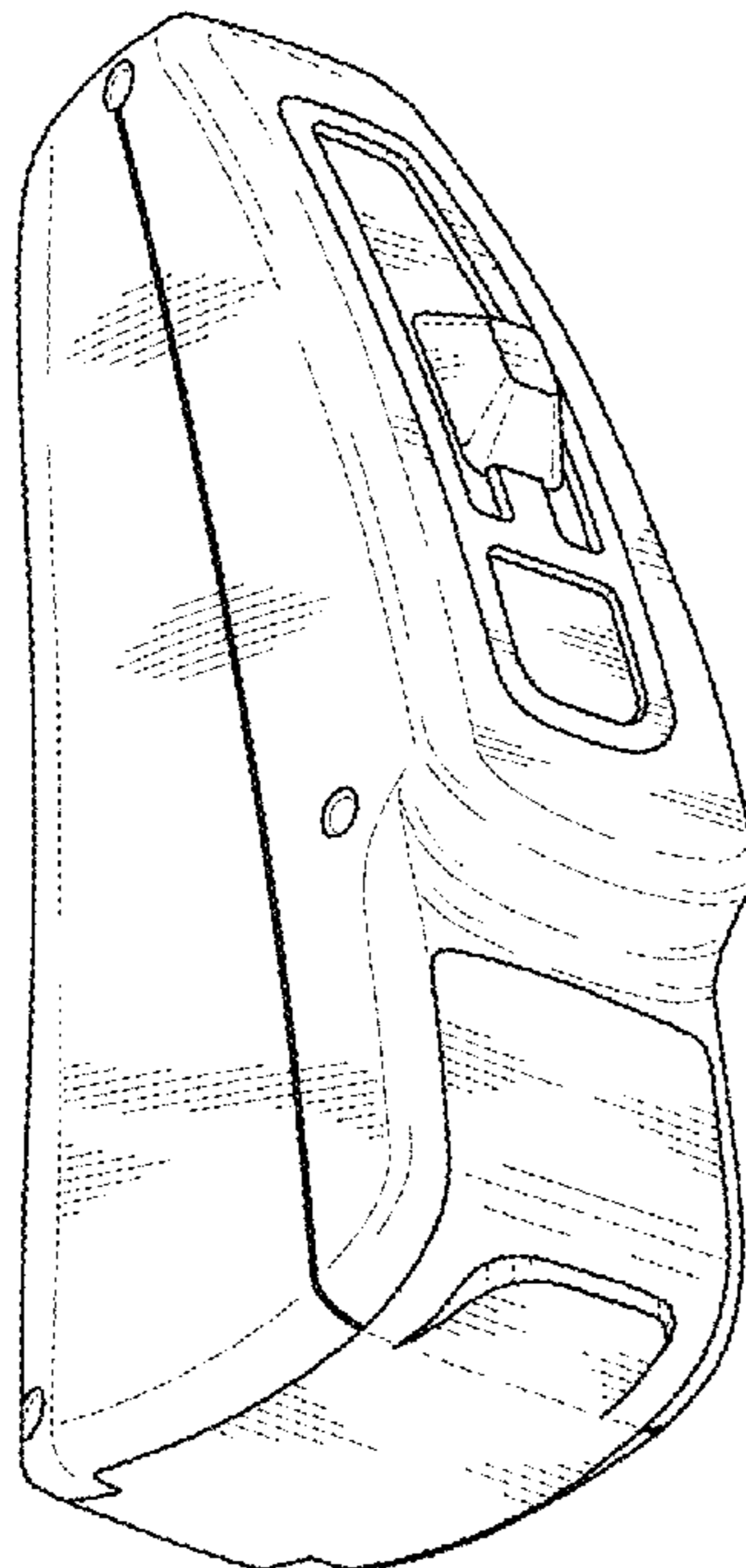
(57) **CLAIM**

We claim the ornamental design for a hearing aid, as shown and described.

DESCRIPTION

FIG. 1 is a first perspective view of a hearing aid embodying our design;
FIG. 2 is a second perspective view of the hearing aid shown in FIG. 1;
FIG. 3 is a front view of the hearing aid shown in FIG. 1;
FIG. 4 is a rear view of the hearing aid shown in FIG. 1;
FIG. 5 is a left side view of the hearing aid shown in FIG. 1;
FIG. 6 is a top view of the hearing aid shown in FIG. 1;
FIG. 7 is a bottom view of the hearing aid shown in FIG. 1; and,
FIG. 8 is a right side view of the hearing aid shown in FIG. 1.

1 Claim, 2 Drawing Sheets



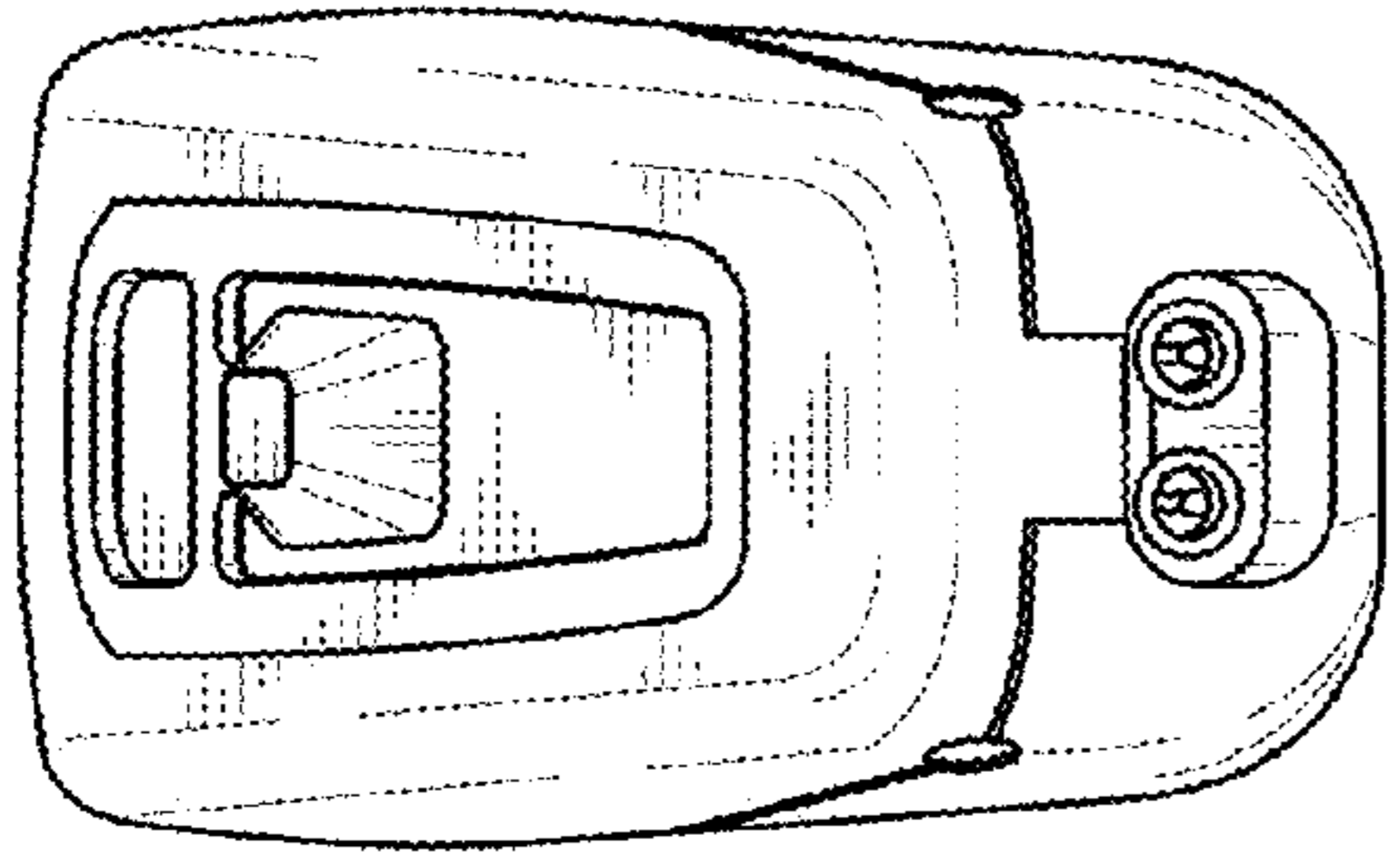


Fig. 3

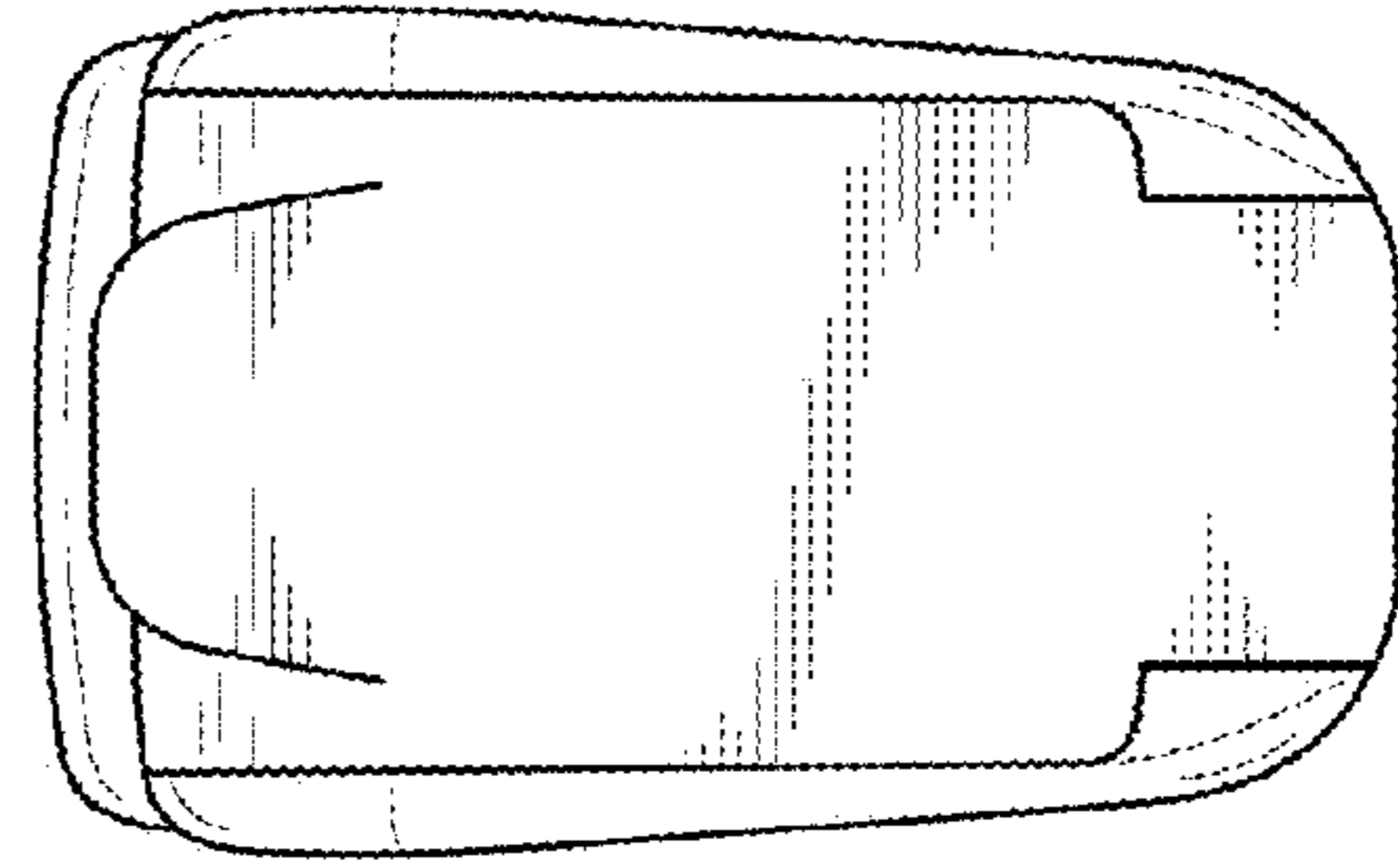


Fig. 4

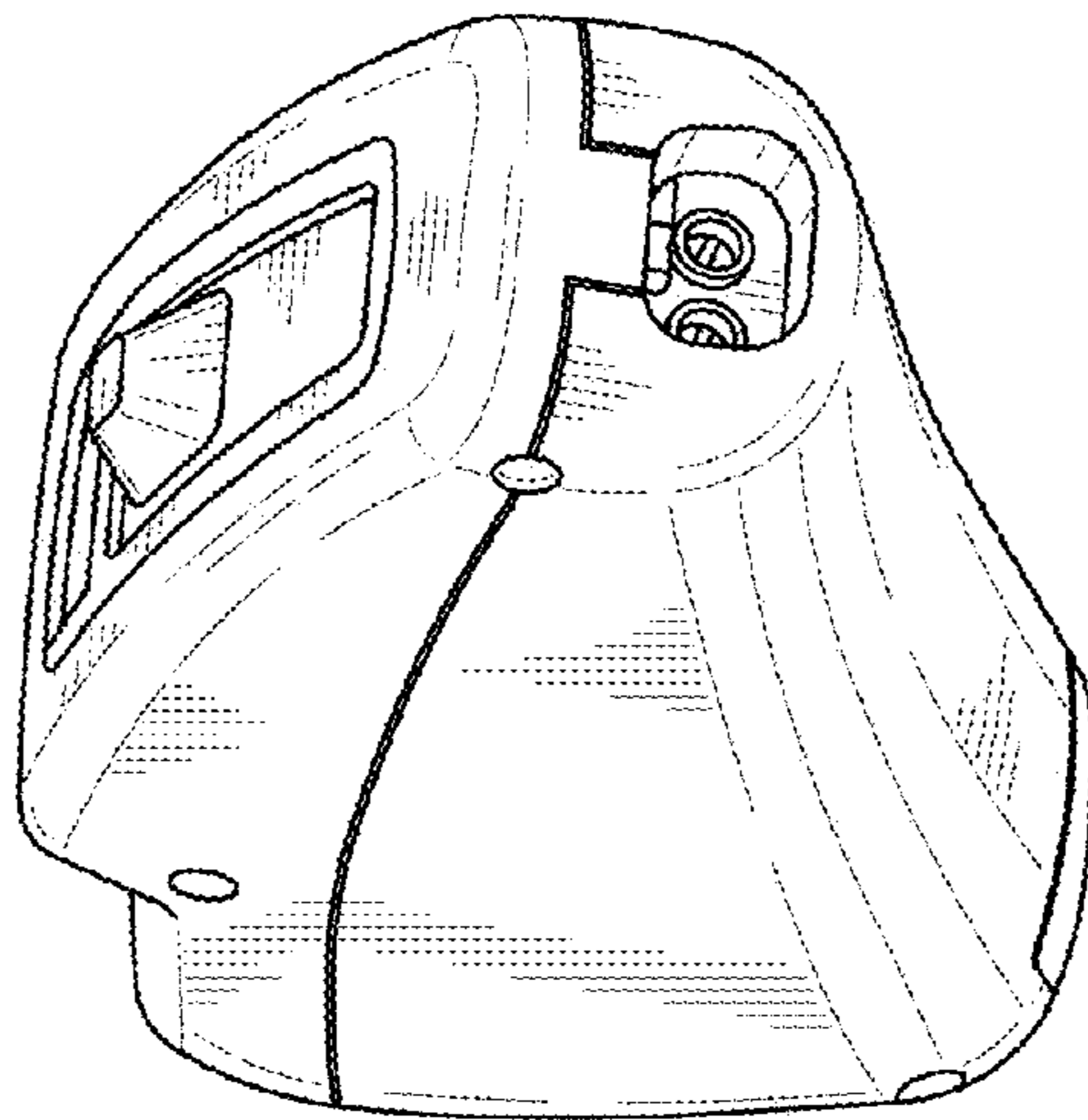


Fig. 2

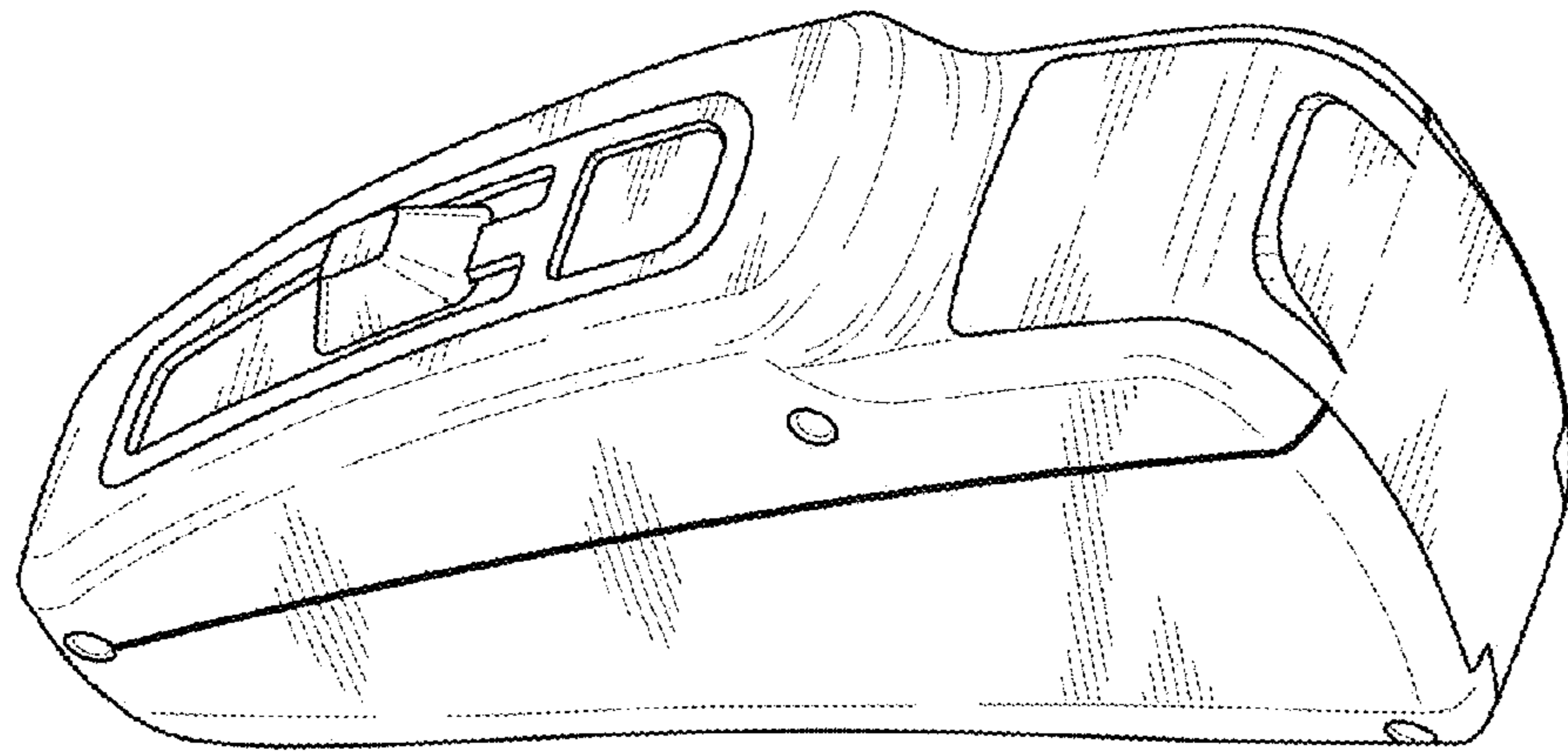


Fig. 1

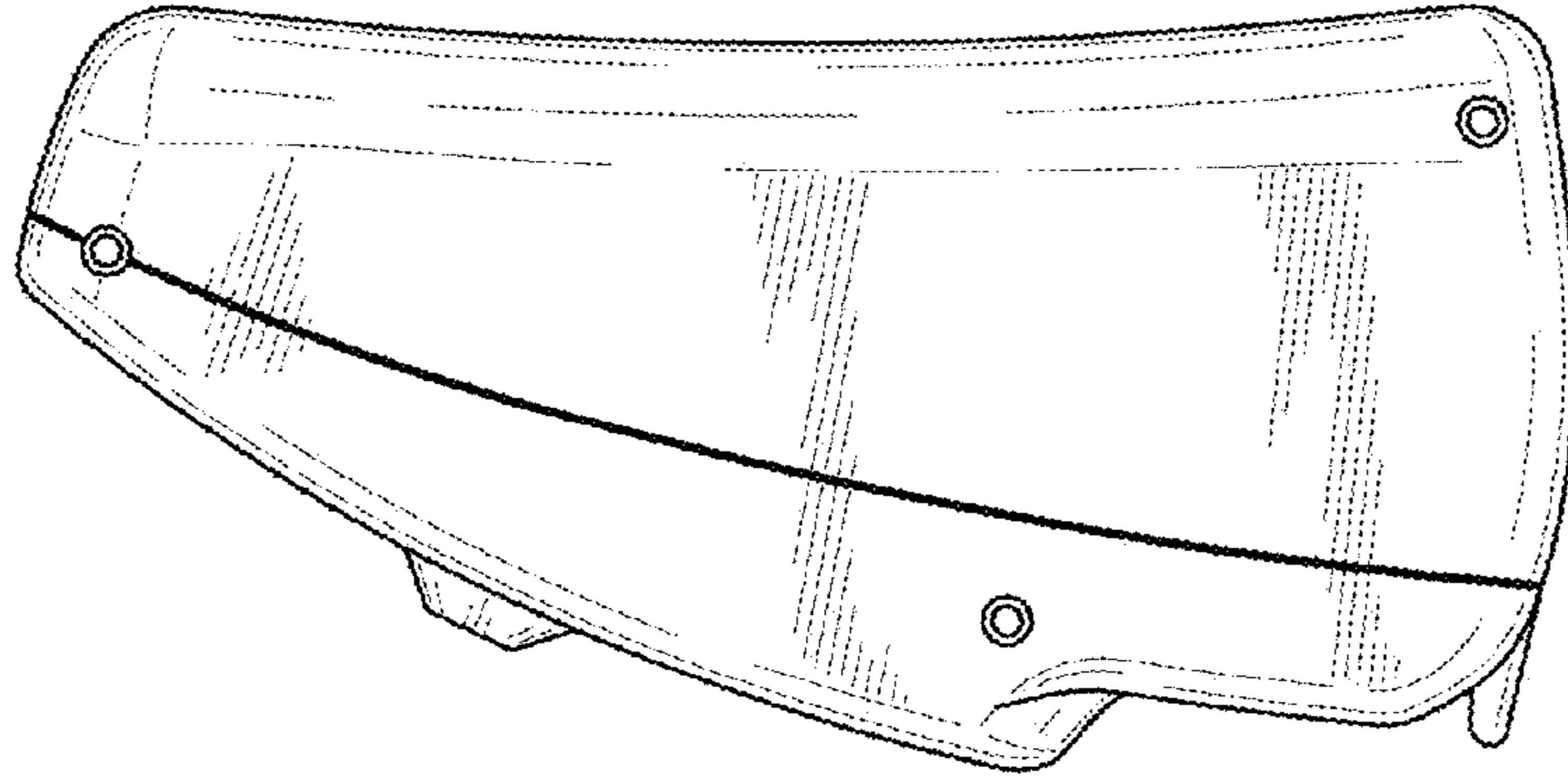


Fig. 5

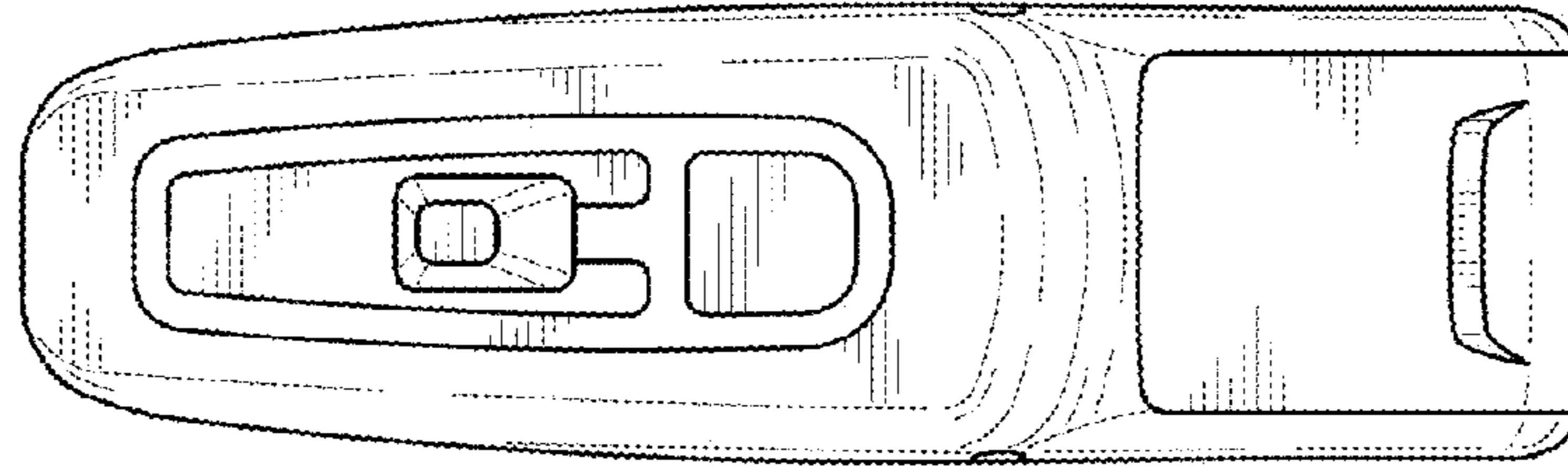


Fig. 6

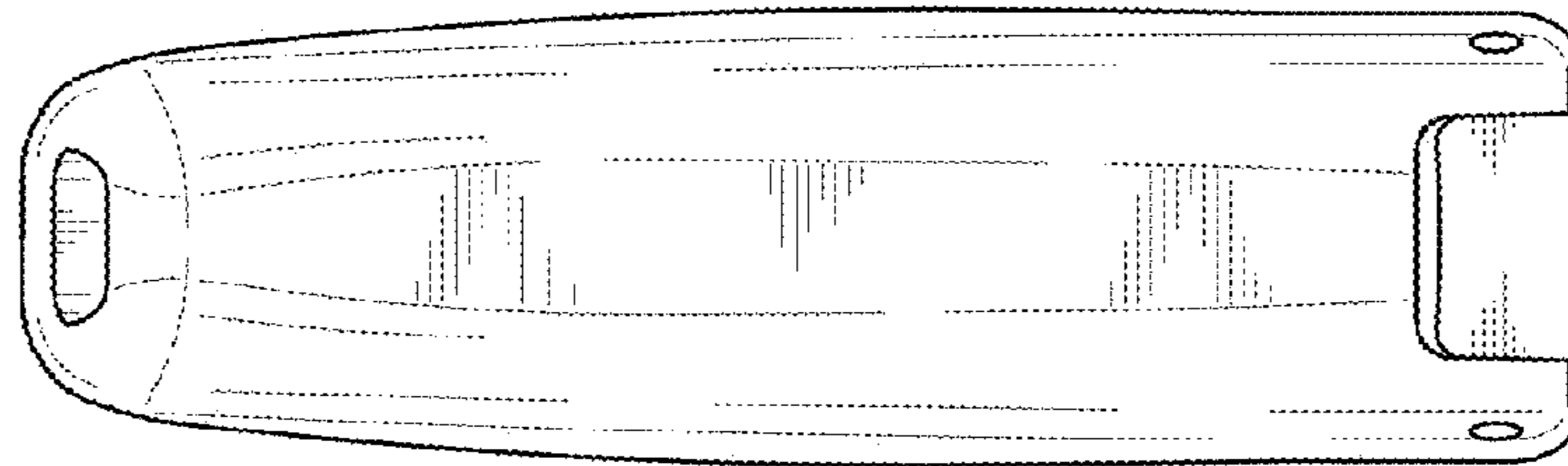


Fig. 7

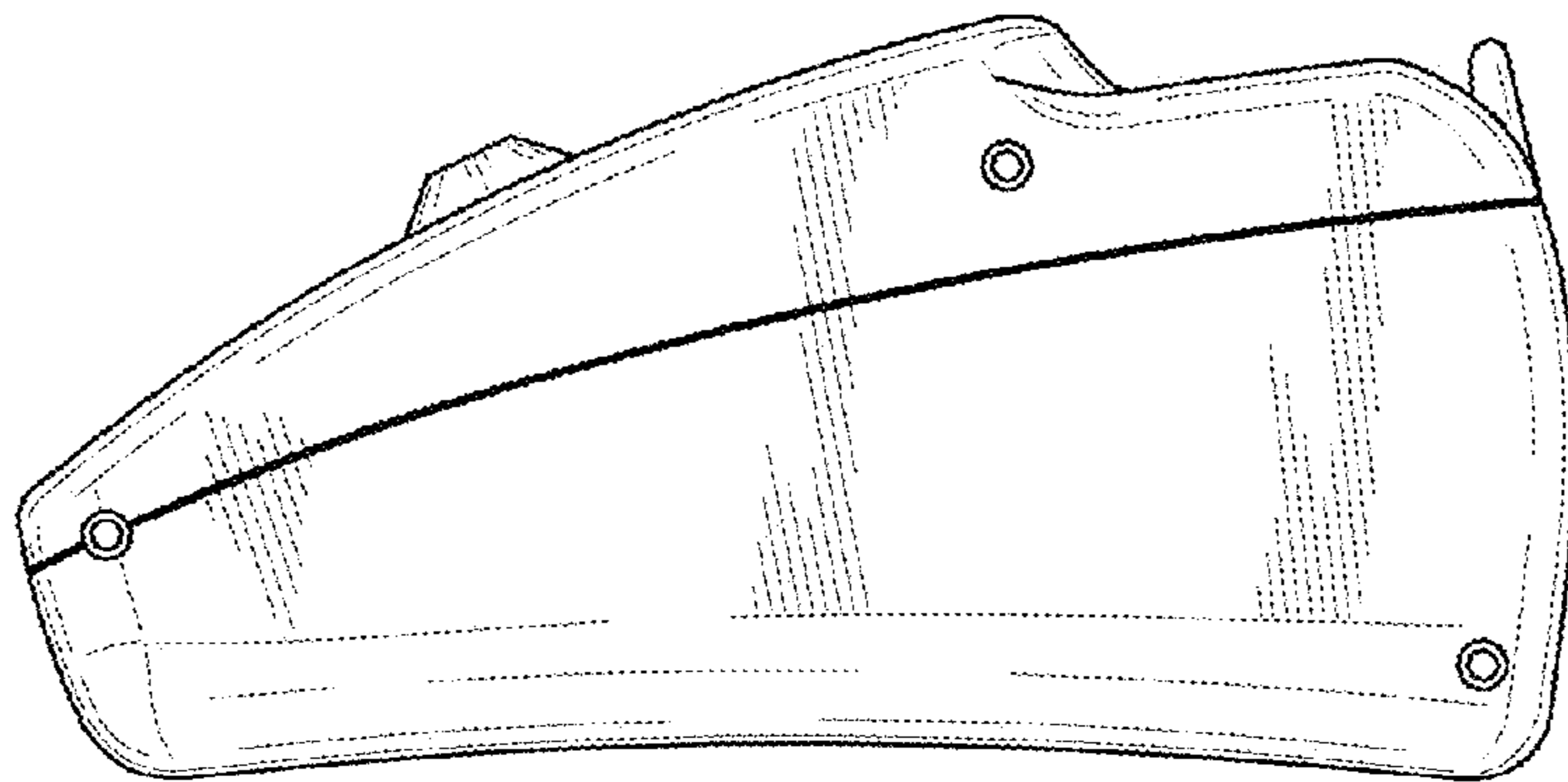


Fig. 8