



US00D687951S

(12) **United States Design Patent**
Della Torre et al.

(10) **Patent No.:** **US D687,951 S**

(45) **Date of Patent:** **** Aug. 13, 2013**

(54) **BIOMETRIC DEVICE**

(75) Inventors: **Marco Della Torre**, San Francisco, CA (US); **Bharadwaj Srinivasan**, San Francisco, CA (US); **Sean Tan**, San Jose, CA (US); **Bashir Ziady**, San Mateo, CA (US); **Mac Baker**, San Francisco, CA (US); **Peter Muller**, Woodside, CA (US); **Julien Rouillac**, San Francisco, CA (US); **Gadi Amit**, San Mateo, CA (US)

(73) Assignee: **Basis Science, Inc.**, San Francisco, CA (US)

(**) Term: **14 Years**

(21) Appl. No.: **29/402,361**

(22) Filed: **Sep. 22, 2011**

(51) **LOC (9) Cl.** **24-02**

(52) **U.S. Cl.**
USPC **D24/167; D24/186**

(58) **Field of Classification Search**
USPC D24/164–168, 186, 187, 107; D10/46, D10/75, 98, 30, 31, 32, 38; 600/301, 481–483, 600/485, 490, 493–495, 500, 503, 509; 128/900; D14/344
See application file for complete search history.

(56) **References Cited**

U.S. PATENT DOCUMENTS

D247,224 S * 2/1978 Pemberton D10/38
D341,659 S * 11/1993 Homayoun et al. D24/167

D356,151 S * 3/1995 Ishii et al. D24/165
D525,710 S * 7/2006 Kobayashi et al. D24/165
D535,028 S * 1/2007 Kobayashi et al. D24/165
D606,656 S * 12/2009 Kobayashi et al. D24/167
D639,436 S * 6/2011 Hara D24/165
D674,488 S * 1/2013 McKay et al. D24/167
D677,792 S * 3/2013 Vandiver D24/167

* cited by examiner

Primary Examiner — Anhdao Doan

(74) *Attorney, Agent, or Firm* — Fenwick & West LLP

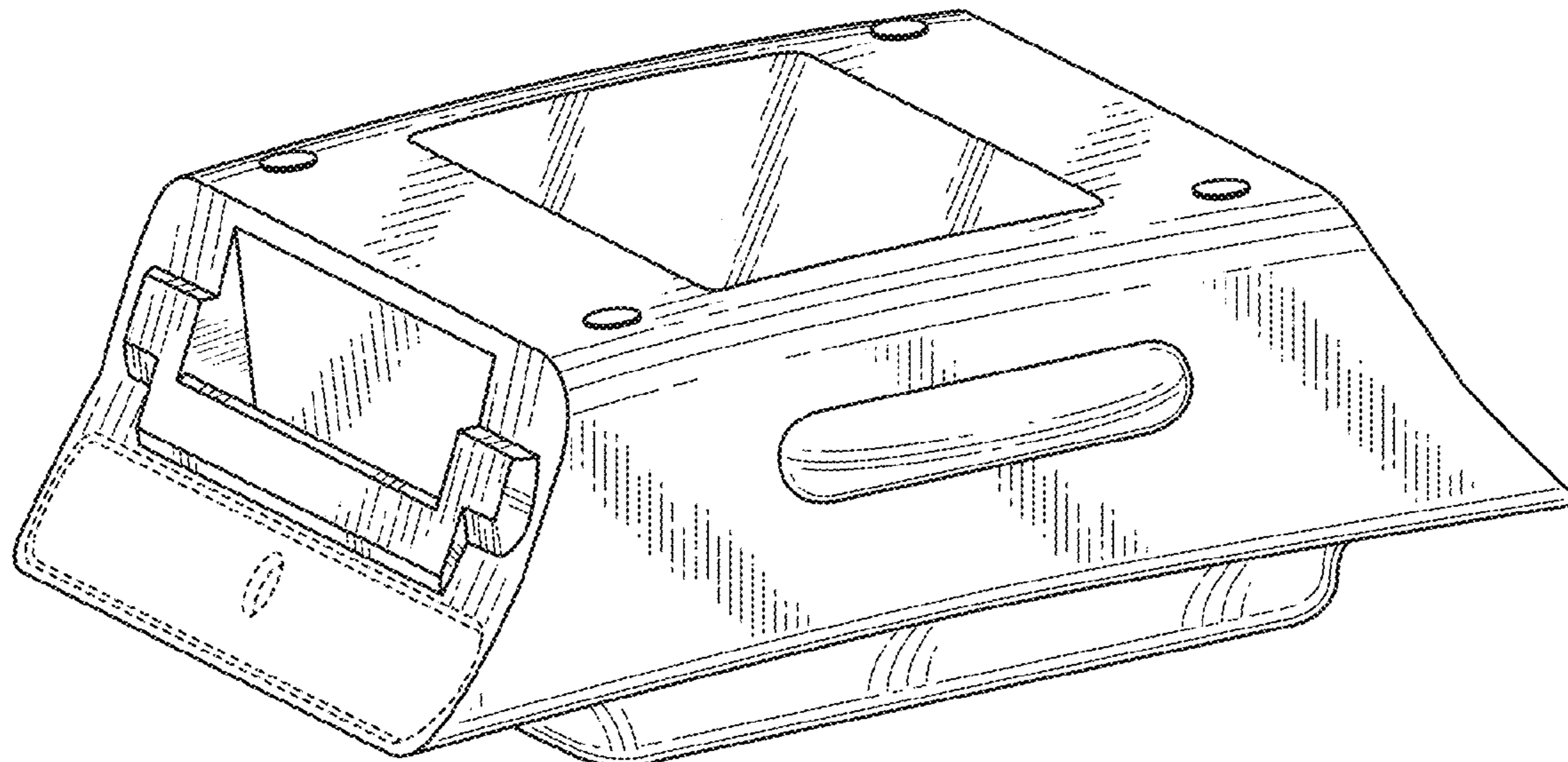
(57) **CLAIM**

The ornamental design for a biometric device, as shown and described.

DESCRIPTION

FIG. 1 is a first perspective view of a biometric device; FIG. 2 is a top view thereof; FIG. 3 is a bottom view thereof; FIG. 4 is a first side view thereof; FIG. 5 is a second side view thereof; FIG. 6 is a rear view thereof; FIG. 7 is a front view thereof; FIG. 8 is a second perspective view thereof; and, FIG. 9 is a third perspective view thereof. The broken lines in the FIGS. 1-3, 6 and 9 views are included for the purpose of illustrating portions of the biometric device that form no part of the claimed design, and the broken lines showing a strap in the FIGS. 8 and 9 views represent the environment. None of the broken lines form a part of the claimed design.

1 Claim, 6 Drawing Sheets



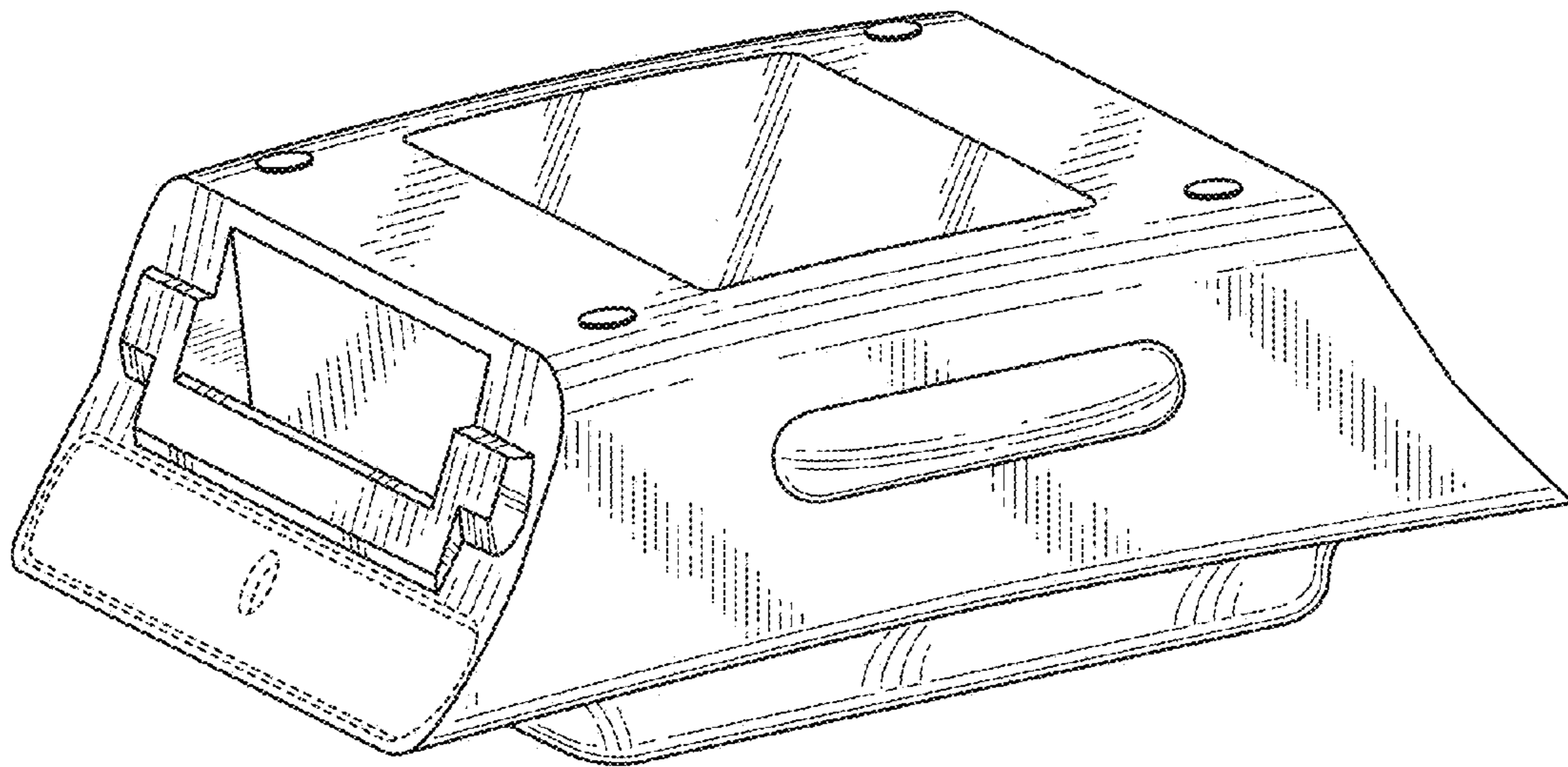


FIG. 1

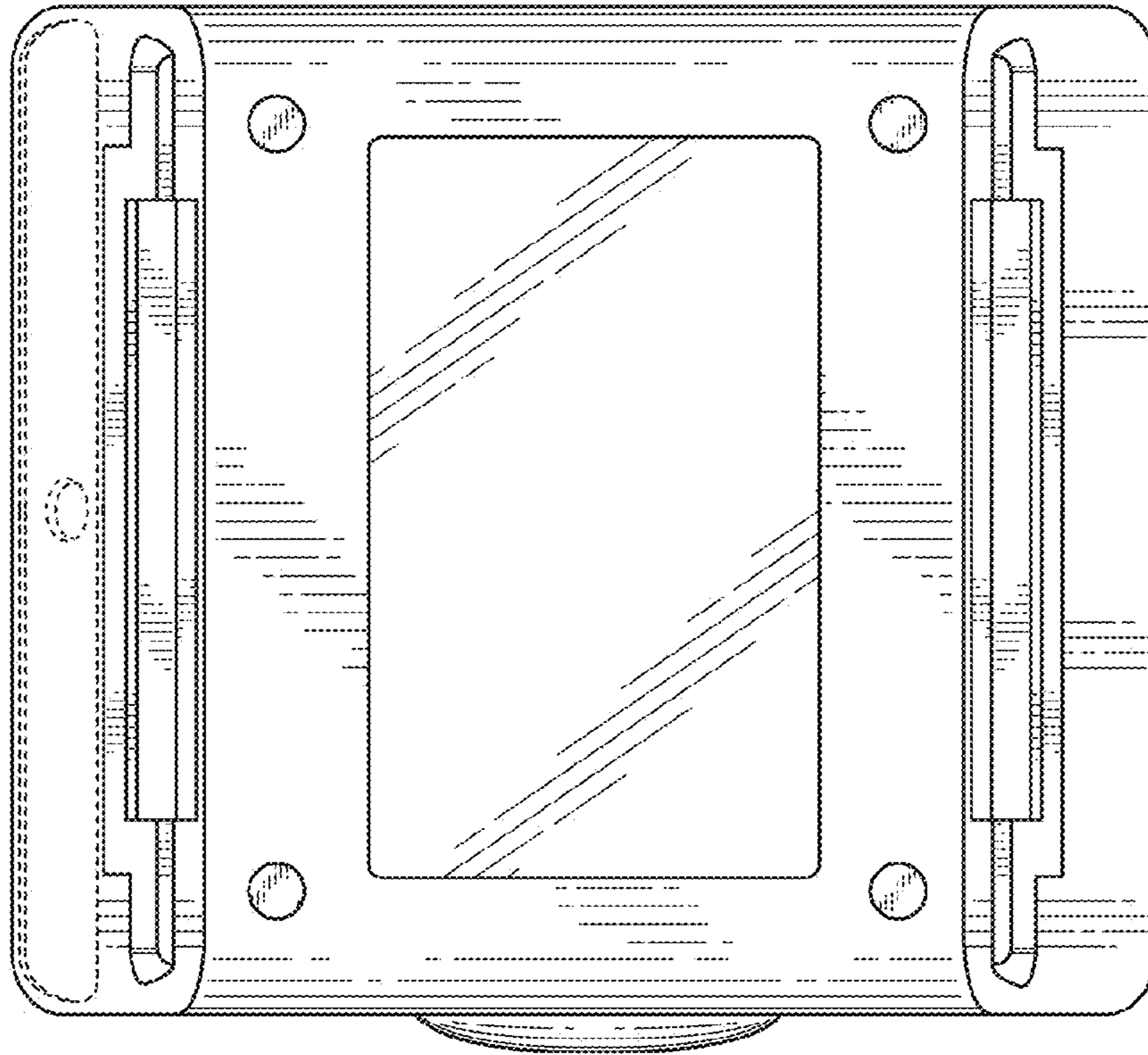


FIG. 2

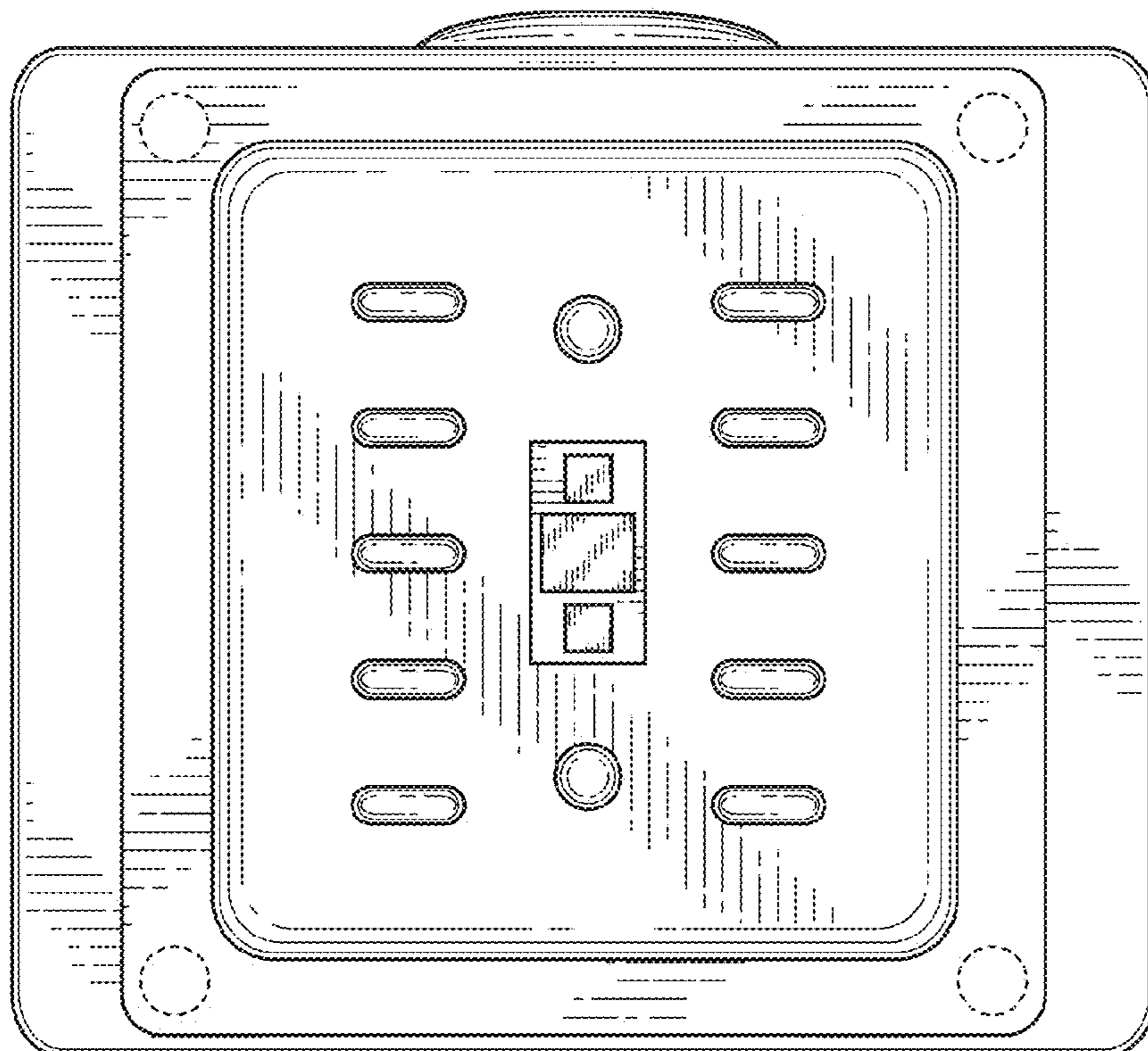


FIG. 3

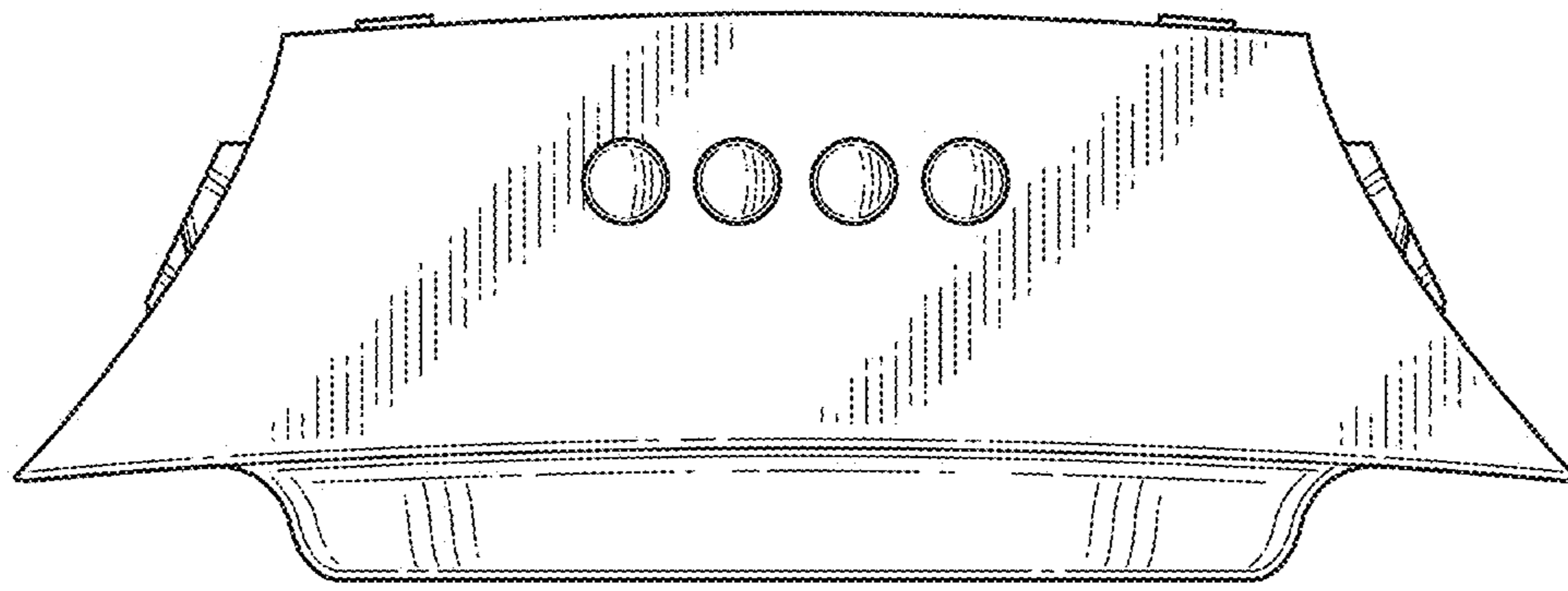


FIG. 4

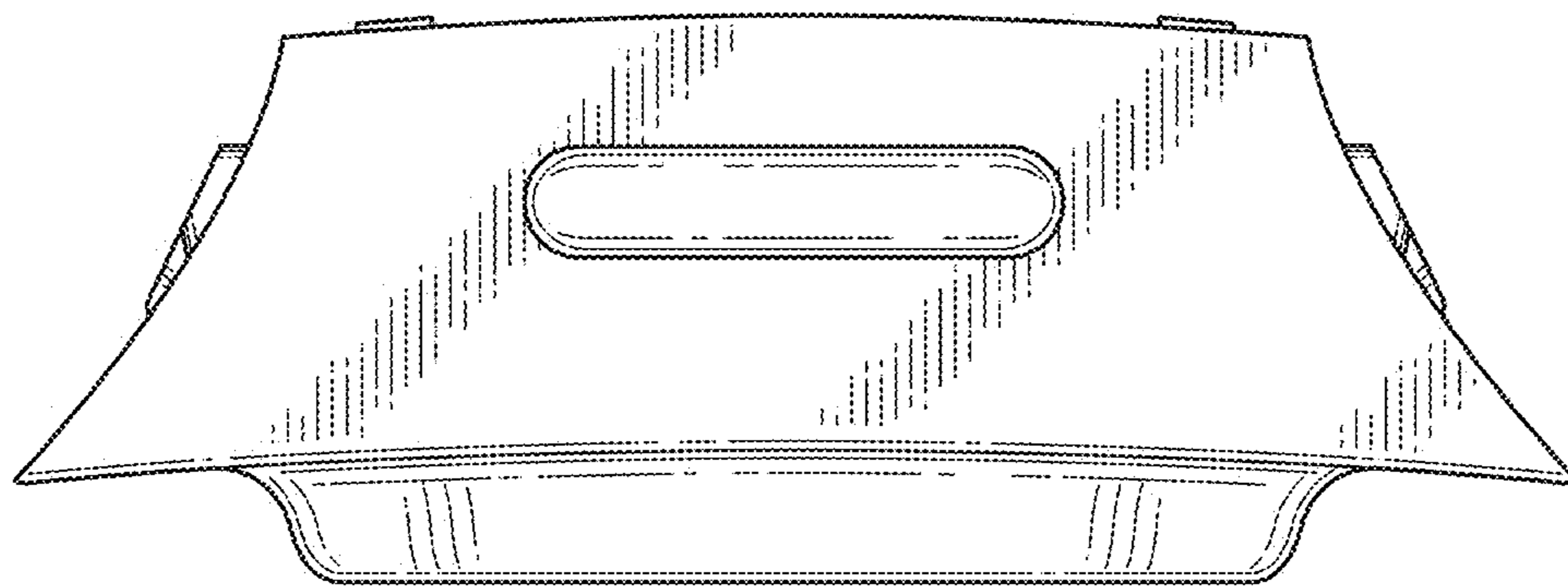


FIG. 5

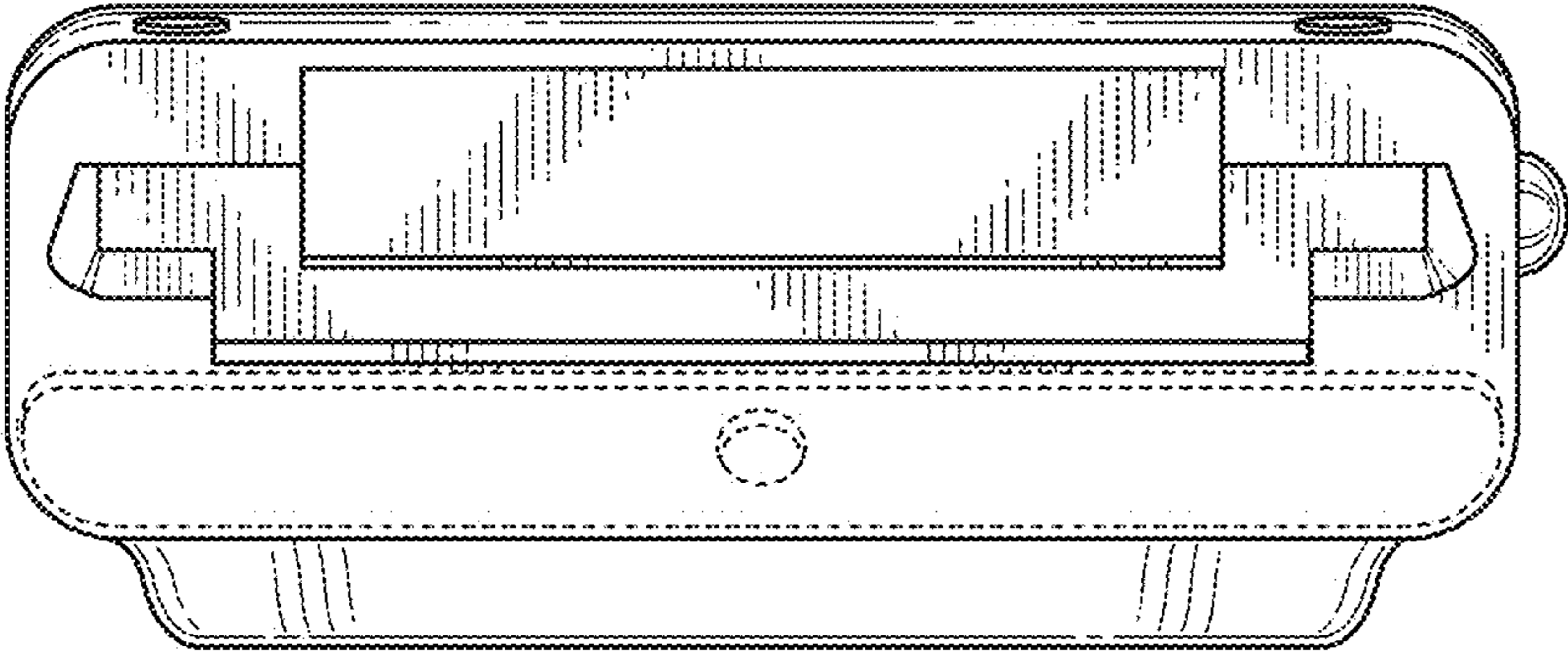


FIG. 6

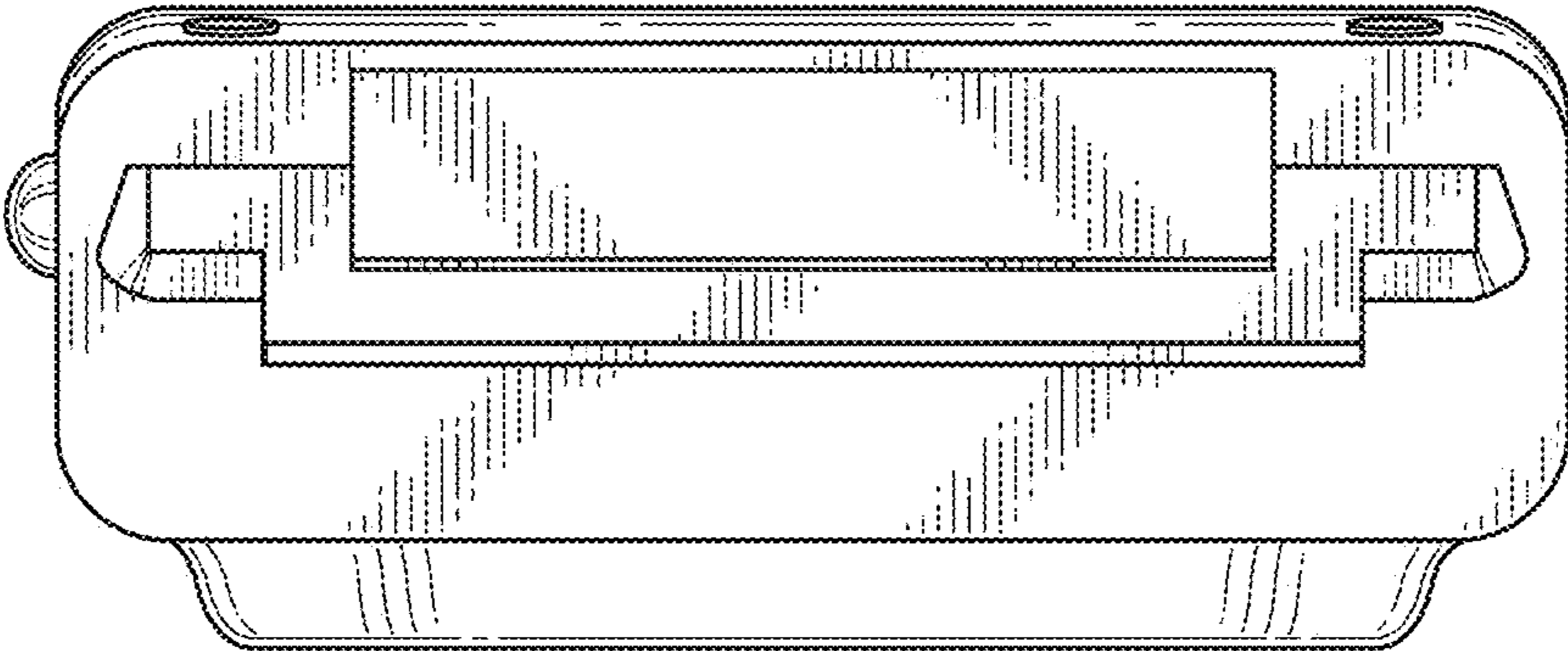


FIG. 7

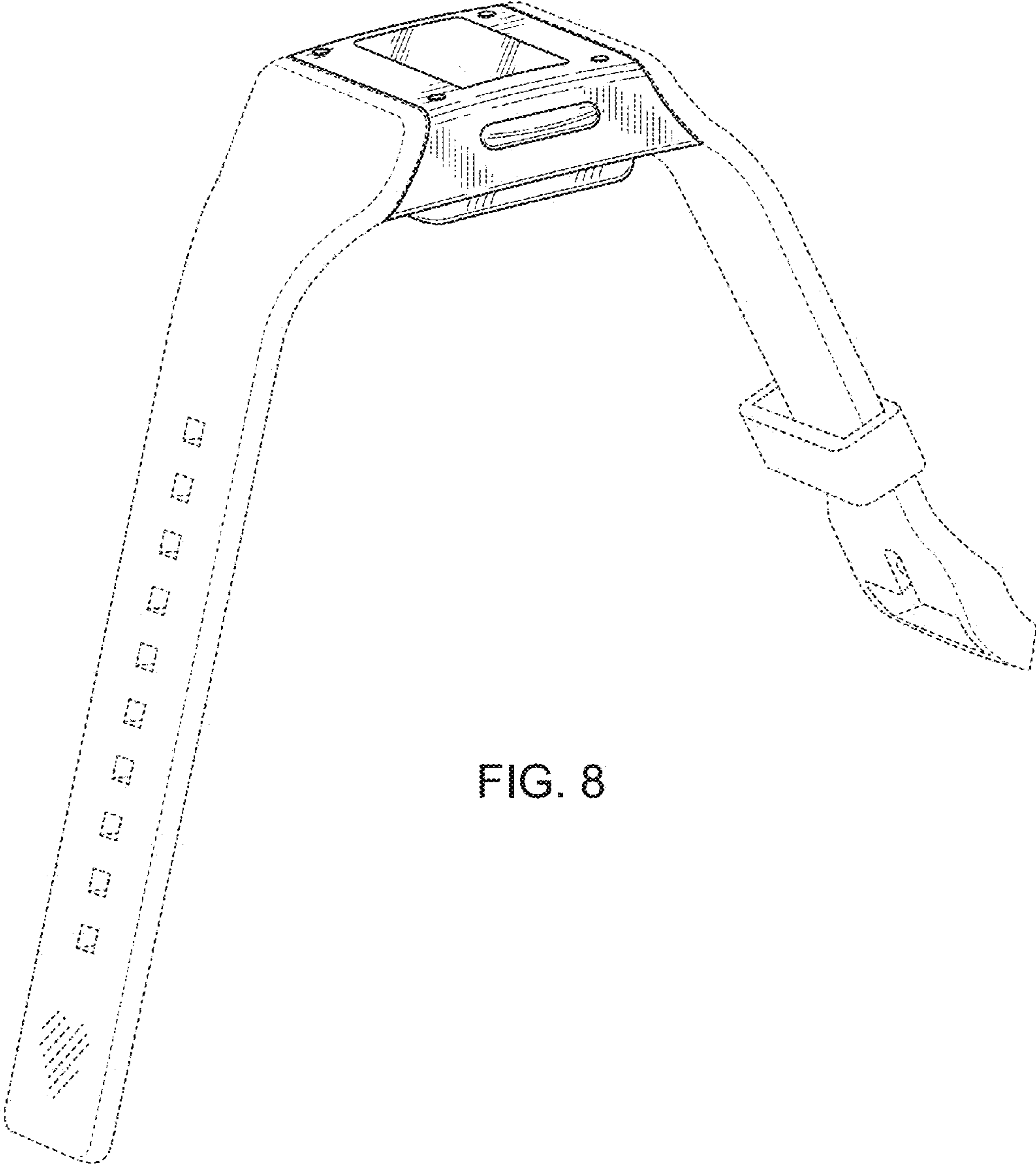


FIG. 8

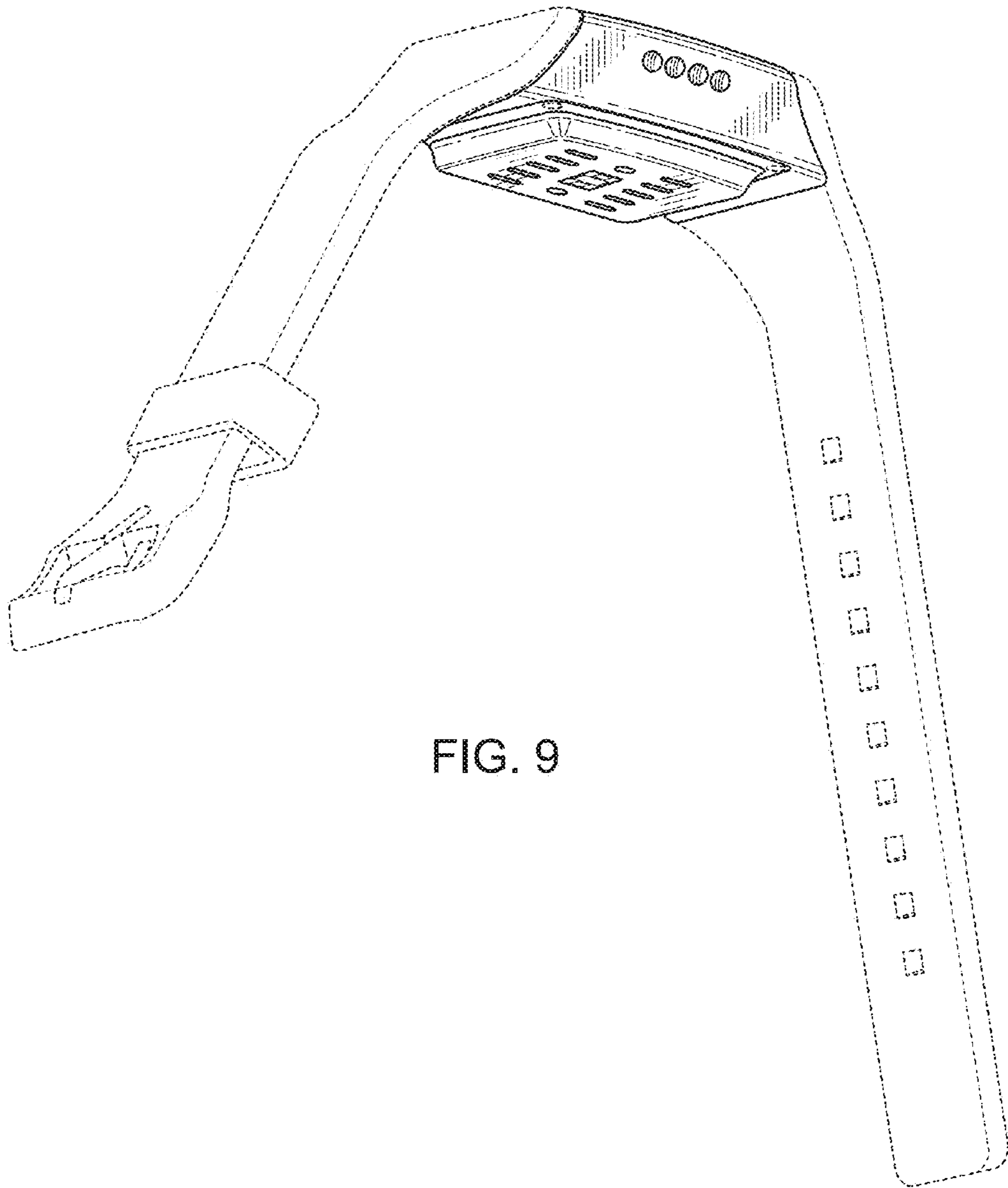


FIG. 9