

US00D687948S

(12) **United States Design Patent**  
**Levesque et al.**

(10) **Patent No.:** **US D687,948 S**  
(45) **Date of Patent:** **\*\* Aug. 13, 2013**

(54) **FLUID TRANSFER DEVICE**

(75) Inventors: **Steven F. Levesque**, North Pembroke, MA (US); **Robert R. Gonnelli**, Mahwah, NJ (US); **Robert L. Standley**, Acton, MA (US); **Mario T. Capolongo**, Ware, MA (US)

(73) Assignee: **Valeritas, Inc.**, Bridgewater, NJ (US)

(\*\*) Term: **14 Years**

(21) Appl. No.: **29/428,565**

(22) Filed: **Aug. 1, 2012**

**Related U.S. Application Data**

(62) Division of application No. 29/361,753, filed on May 14, 2010, now Pat. No. Des. 667,946.

(51) **LOC (9) Cl.** ..... **24-02**

(52) **U.S. Cl.**  
USPC ..... **D24/111**

(58) **Field of Classification Search**  
USPC ..... D24/108, 127-130, 110, 111; 141/18, 141/22-24, 27-28; 137/561 R; 604/93.01, 604/151, 7-8, 34, 67, 123, 131, 152-153  
See application file for complete search history.

(56) **References Cited**

**U.S. PATENT DOCUMENTS**

3,297,558	A *	1/1967	Hillquist	.....	141/25
D236,163	S	7/1975	Manno		
3,895,631	A	7/1975	Buckles et al.		
D265,243	S	6/1982	Manno et al.		
D325,255	S	4/1992	Busche et al.		
D408,079	S *	4/1999	Ellis	.....	D24/108

8,113,240	B2	2/2012	Blanchard et al.		
2010/0276034	A1	11/2010	Gonnelli et al.		
2011/0028937	A1	2/2011	Powers et al.		
2011/0284123	A1	11/2011	Bouix et al.		
2011/0306929	A1 *	12/2011	Levesque et al.	.....	604/150
2012/0000569	A1	1/2012	Weigel		

\* cited by examiner

*Primary Examiner* — Wan Laymon

(74) *Attorney, Agent, or Firm* — Morgan, Lewis & Bockius LLP

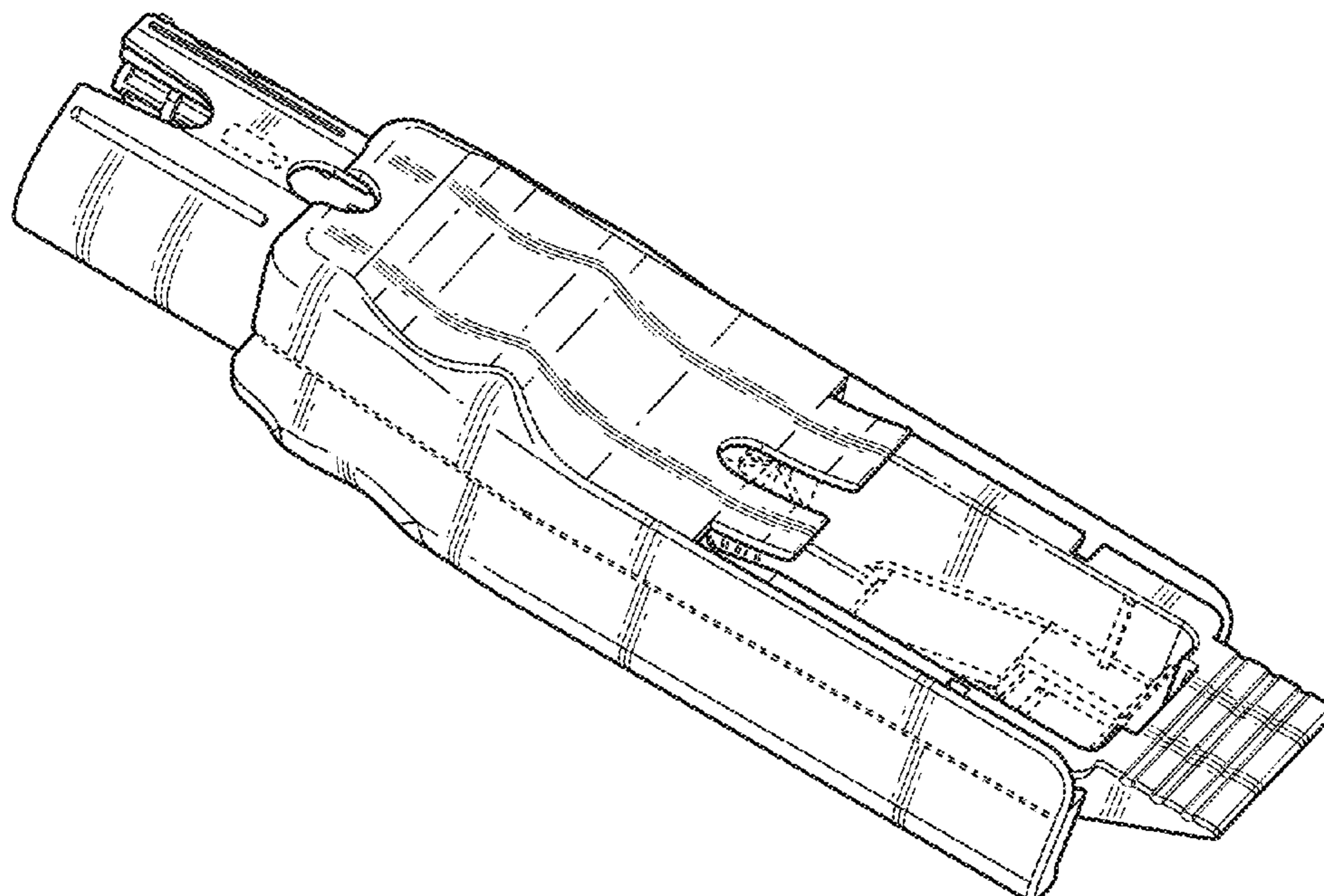
(57) **CLAIM**

The ornamental design for a fluid transfer device, as shown and described.

**DESCRIPTION**

FIG. 1 is a front perspective view of a fluid transfer device in accordance with our new design;  
FIG. 2 is a front plan view of the fluid transfer device shown in FIG. 1;  
FIG. 3 is a rear plan view of the fluid transfer device shown in FIG. 1;  
FIG. 4 is a right-side elevational view of the fluid transfer device shown in FIG. 1;  
FIG. 5 is a left-side elevational view of the fluid transfer device shown in FIG. 1;  
FIG. 6 is a top elevational view of the fluid transfer device shown in FIG. 1; and,  
FIG. 7 is a bottom elevational view of the fluid transfer device shown in FIG. 1.  
The broken lines in the figures are for illustrative purposes only and form no part of the claimed design.

**1 Claim, 3 Drawing Sheets**



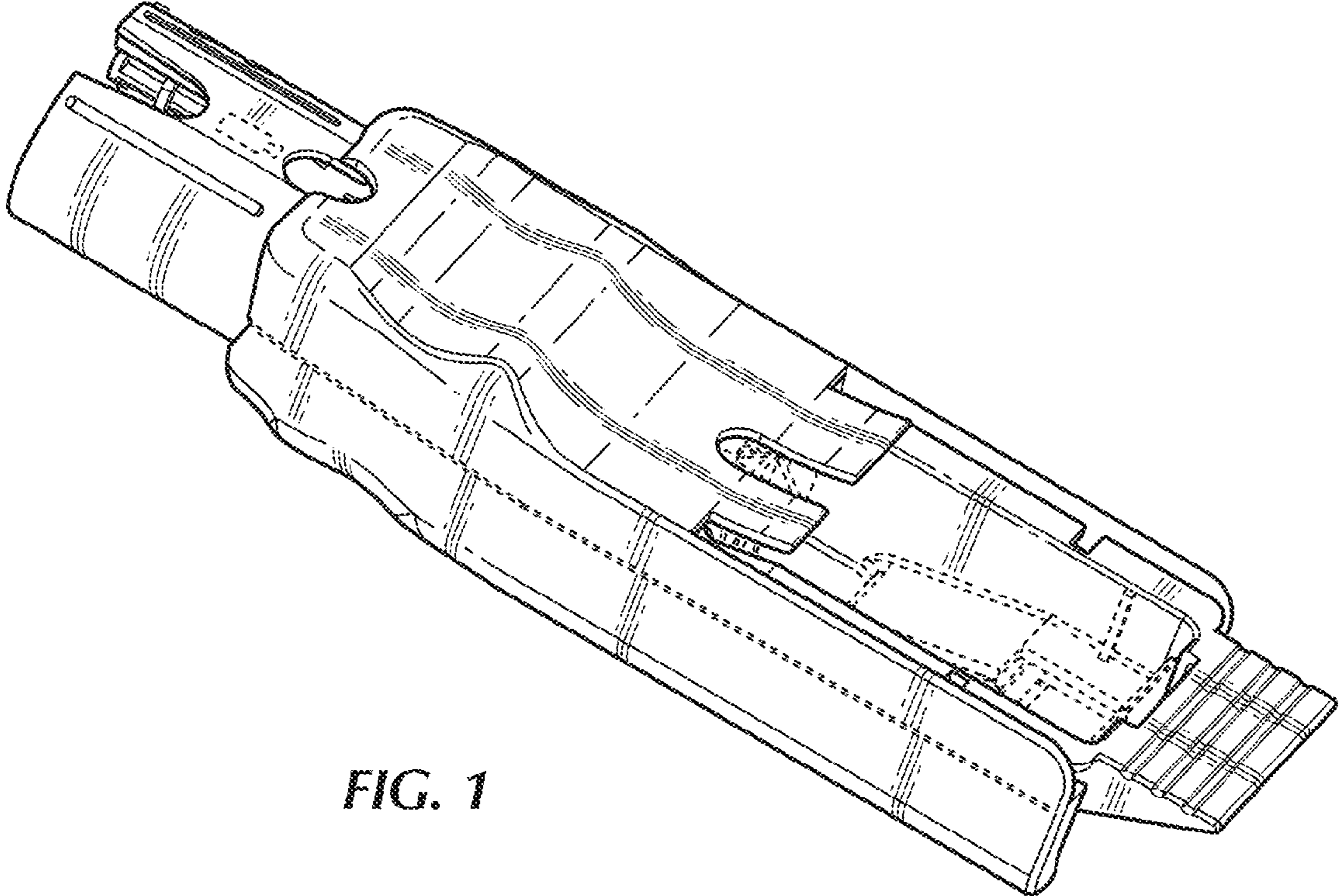


FIG. 1

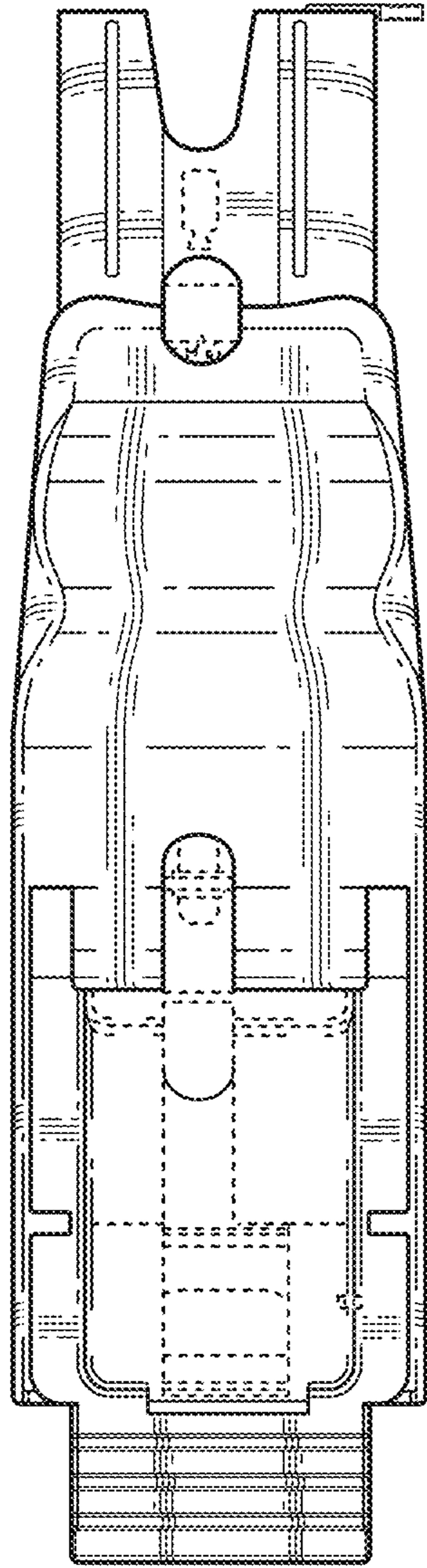


FIG. 2

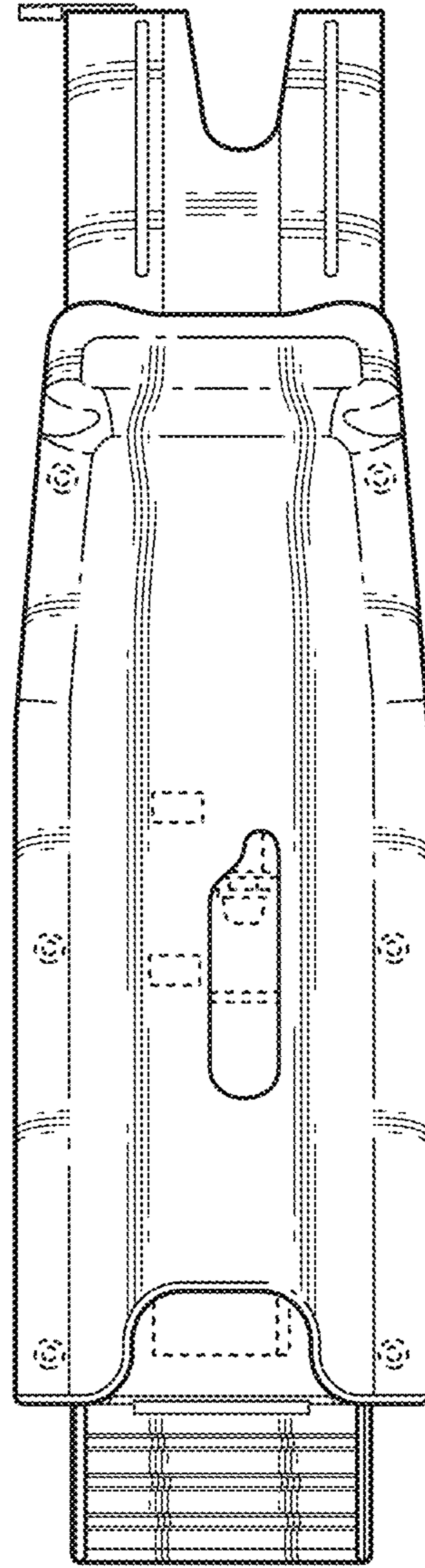


FIG. 3

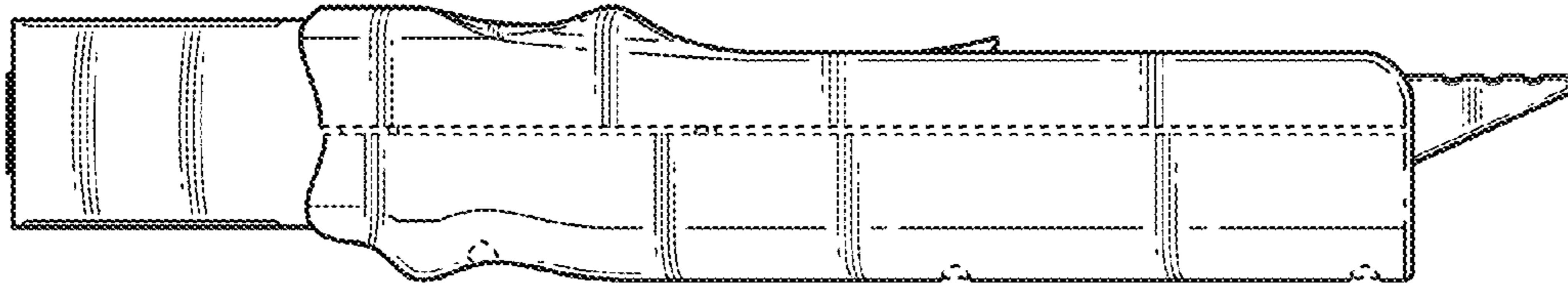


FIG. 4

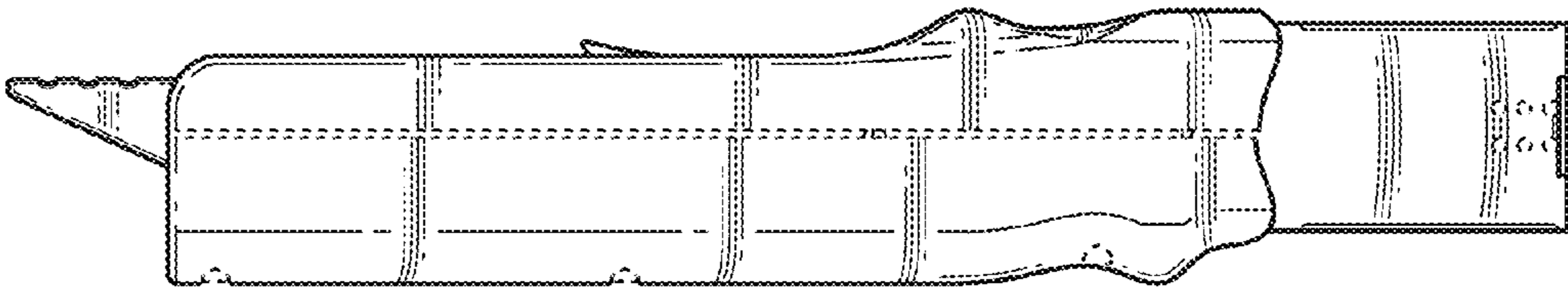


FIG. 5

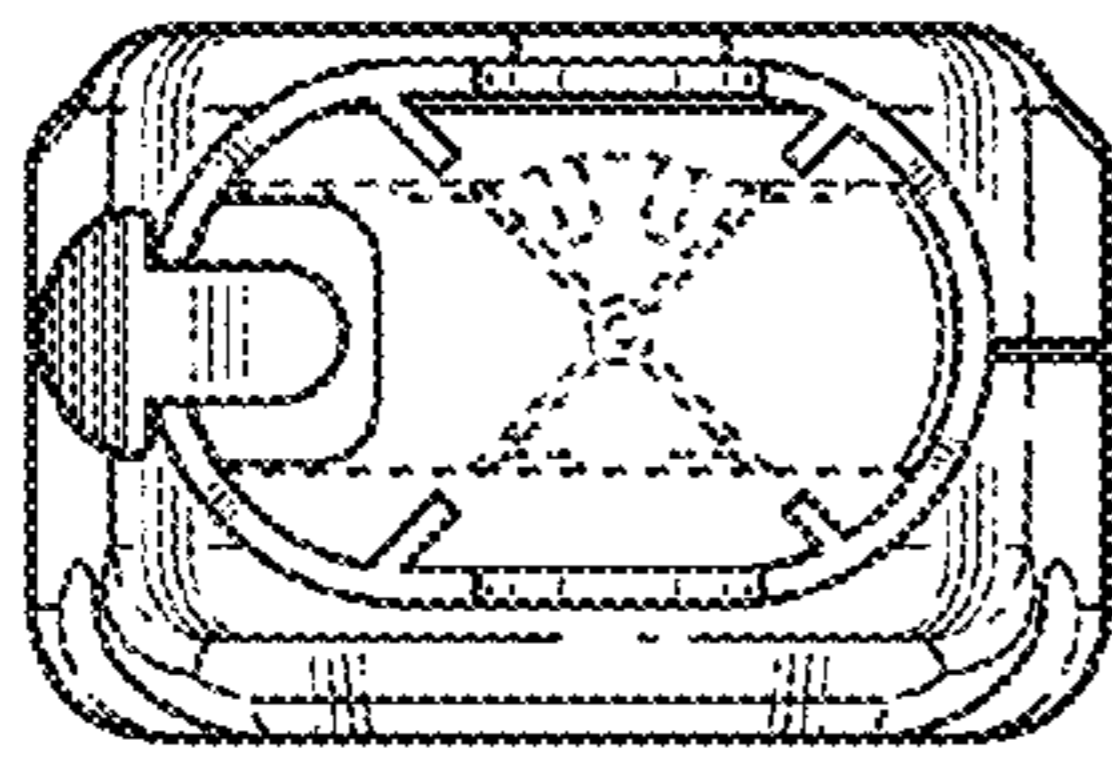


FIG. 6

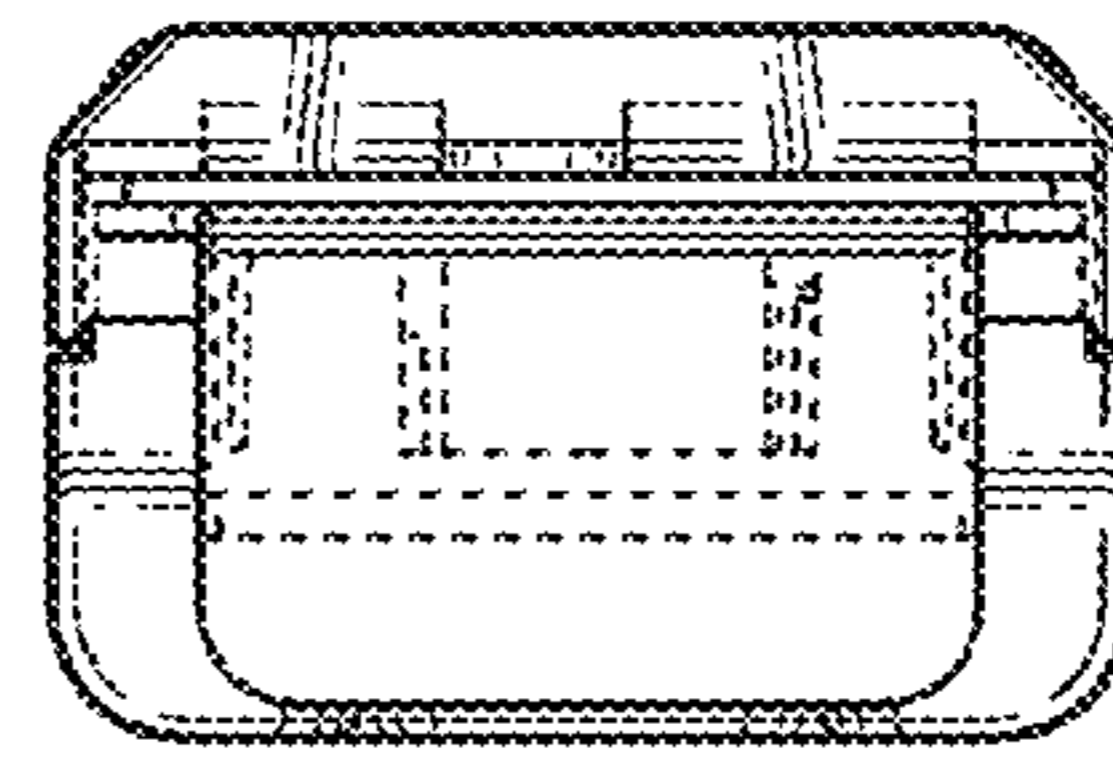


FIG. 7