



US00D687946S

(12) **United States Design Patent**  
**Brewer et al.**

(10) **Patent No.:** **US D687,946 S**

(45) **Date of Patent:** **\*\* \*Aug. 13, 2013**

(54) **INHALER**

(75) Inventors: **Richard D. Brewer**, Loughborough (GB); **Craig Davidson**, Loughborough (GB); **Graham R. Purkins**, West Sussex (GB); **Stephen J. Howgill**, Thurcaston (GB)

(73) Assignee: **3M Innovative Properties Company**, St. Paul, MN (US)

(\*) Notice: This patent is subject to a terminal disclaimer.

(\*\*) Term: **14 Years**

(21) Appl. No.: **29/390,100**

(22) Filed: **Apr. 20, 2011**

(51) **LOC (9) Cl.** ..... **29-02**

(52) **U.S. Cl.**  
USPC ..... **D24/110**

(58) **Field of Classification Search**  
USPC ..... D24/110, 110.4, 110.5, 108-109;  
128/97.1, 200.1-200.23, 203.12-203.24  
See application file for complete search history.

(56) **References Cited**

**U.S. PATENT DOCUMENTS**

3,191,867 A 6/1965 Helms  
3,429,310 A 2/1969 Jaffe et al.

(Continued)

**FOREIGN PATENT DOCUMENTS**

CN 301220484 S 5/2010  
CN 301220485 5/2010

(Continued)

**OTHER PUBLICATIONS**

Nasal Metered Dose Inhaler Features No-Drip System [on-line] PharmPro.com newsletter, posted on May 12, 2010, [retrieved from the internet]. <<http://www.pharmpro.com/products/2010/05/packaging-Nasal-Metered-Dose-Inhaler>>.\*

*Primary Examiner* — Ian Simmons  
*Assistant Examiner* — Eleni H Aldridge

(57) **CLAIM**

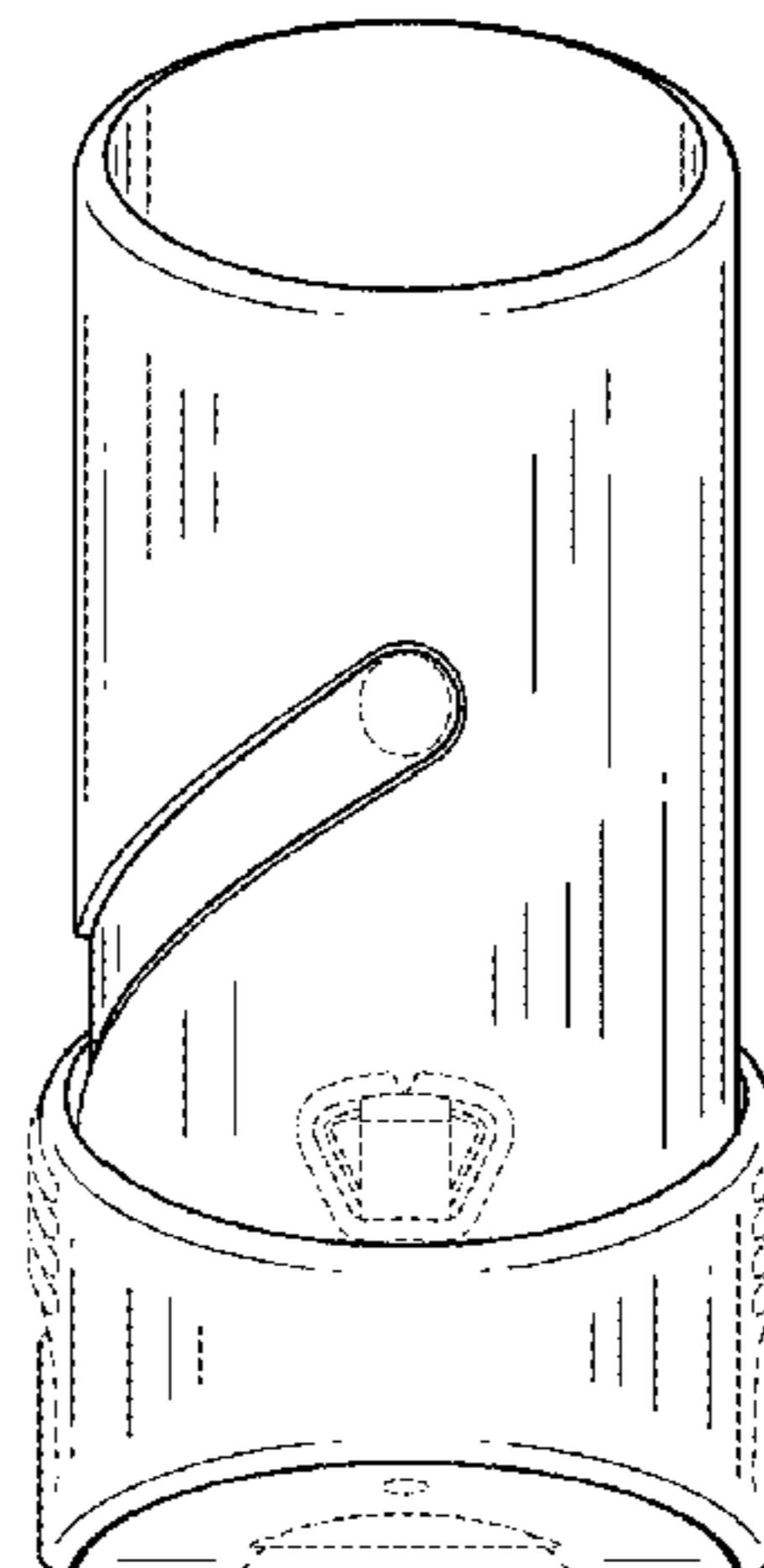
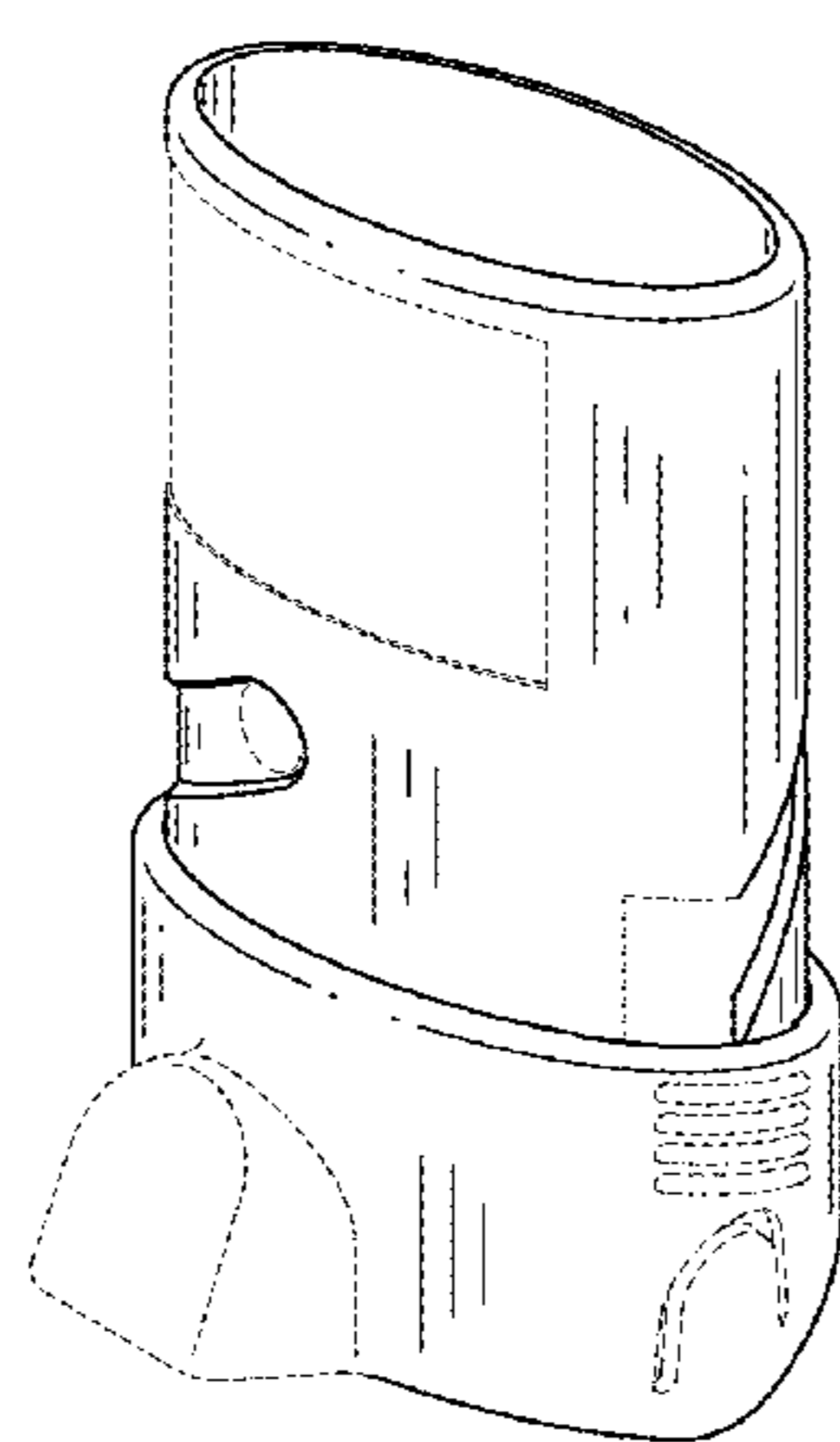
The ornamental design for an inhaler, as shown and described.

**DESCRIPTION**

FIG. 1 is a top perspective view of the inhaler showing our new design in a first configuration;  
FIG. 2 is a front elevational view of the inhaler in the first configuration;  
FIG. 3 is a right side elevational view of the inhaler in the first configuration;  
FIG. 4 is a rear elevational view of the inhaler in the first configuration;  
FIG. 5 is a left side elevational view of the inhaler in the first configuration;  
FIG. 6 is a top plan view of the inhaler in the first configuration;  
FIG. 7 is a bottom view of the inhaler in the first configuration;  
FIG. 8 is a top perspective view of the inhaler in a second configuration with the cover portion shown in a raised condition;  
FIG. 9 is a front elevational view of the inhaler in the second configuration;  
FIG. 10 is a right side elevational view of the inhaler in the second configuration;  
FIG. 11 is a rear elevational view of the inhaler in the second configuration;  
FIG. 12 is a left side elevational view of the inhaler in the second configuration;  
FIG. 13 is a top plan view of the inhaler in the second configuration; and,  
FIG. 14 is a bottom plan view of the inhaler in the second configuration.

The broken lines in the figures are for illustrative purposes only and form no part of the claimed design.

**1 Claim, 4 Drawing Sheets**



(56)

References Cited

U.S. PATENT DOCUMENTS

D276,847 S \* 12/1984 Nyman et al. .... D24/110  
 4,637,528 A 1/1987 Wachinski et al.  
 D349,572 S \* 8/1994 Jagnandan et al. .... D24/110  
 5,372,128 A 12/1994 Haber et al.  
 5,505,194 A 4/1996 Adjei et al.  
 D377,215 S \* 1/1997 Rand ..... D24/110  
 5,799,651 A \* 9/1998 Garby et al. .... 128/200.23  
 D433,126 S \* 10/2000 McCurry ..... D24/110  
 6,182,655 B1 2/2001 Keller et al.  
 6,273,084 B1 \* 8/2001 Frid ..... 128/200.23  
 6,484,718 B1 11/2002 Schaeffer et al.  
 6,612,302 B1 9/2003 Rand  
 D480,474 S \* 10/2003 Bowman et al. .... D24/110  
 6,752,147 B1 6/2004 Goldemann et al.  
 6,792,941 B2 \* 9/2004 Andersson ..... 128/200.23  
 D501,551 S \* 2/2005 Rand ..... D24/110  
 7,121,434 B1 10/2006 Caruso  
 D582,544 S \* 12/2008 Meziere ..... D24/110

D657,448 S \* 4/2012 Herfort ..... D24/110  
 2004/0134488 A1 \* 7/2004 Davies ..... 128/200.23  
 2008/0196718 A1 8/2008 Connell et al.  
 2009/0188498 A1 7/2009 Thoemmes et al.

FOREIGN PATENT DOCUMENTS

DE	39 11 985	11/1990
EP	0 075 548	3/1983
GB	2 143 283	2/1985
GB	2 196 262	4/1988
JP	D1240642	5/2005
TW	D111283	6/2006
WO	WO 92/20391	11/1992
WO	WO 97/20589	6/1997
WO	WO 98/42395	10/1998
WO	WO 00/59806	10/2000
WO	WO 2004/041670	5/2004
WO	WO 2005/046774	5/2005
WO	WO 2011/133744	10/2011

\* cited by examiner

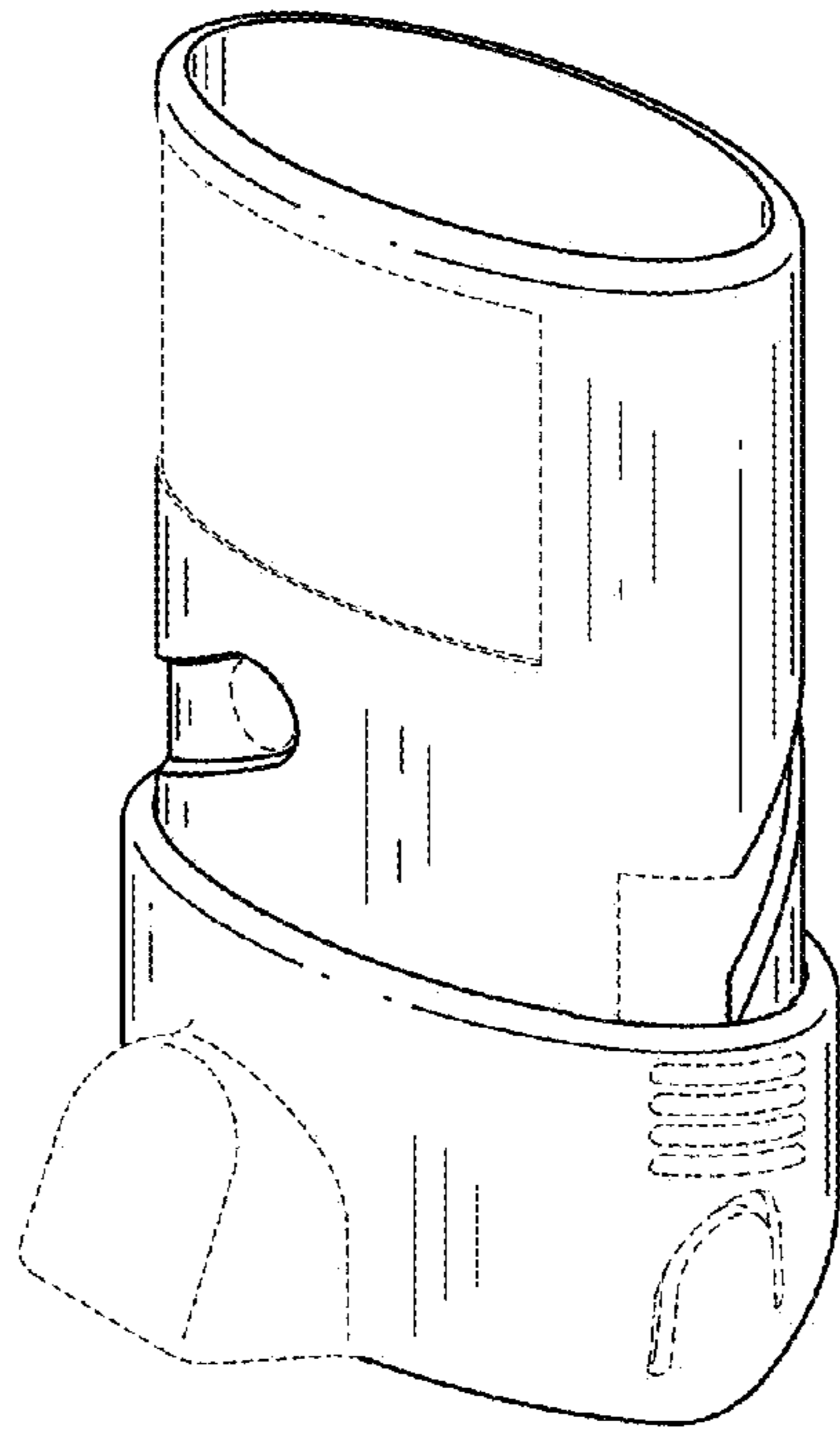


FIG. 1

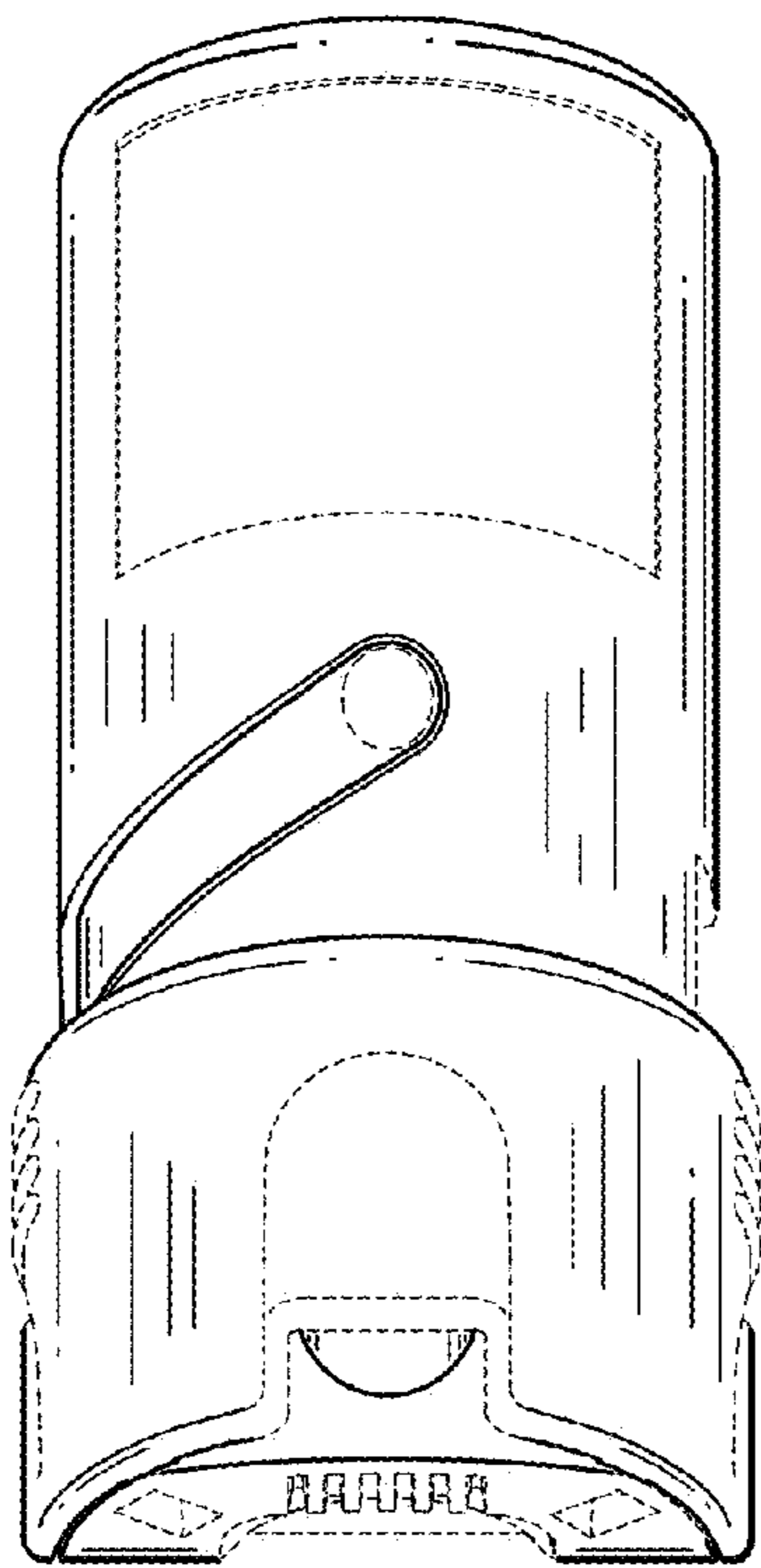


FIG. 2

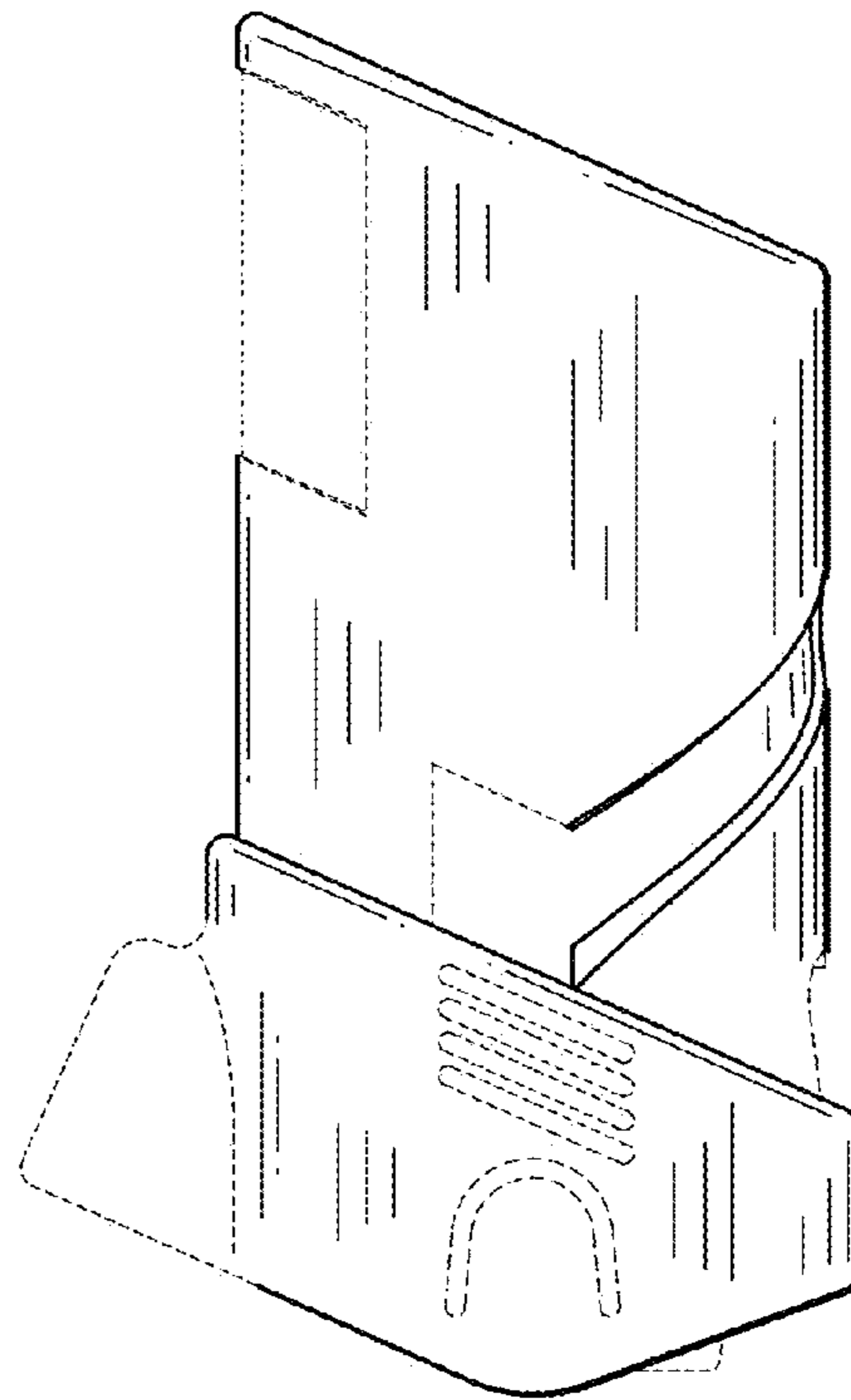


FIG. 3

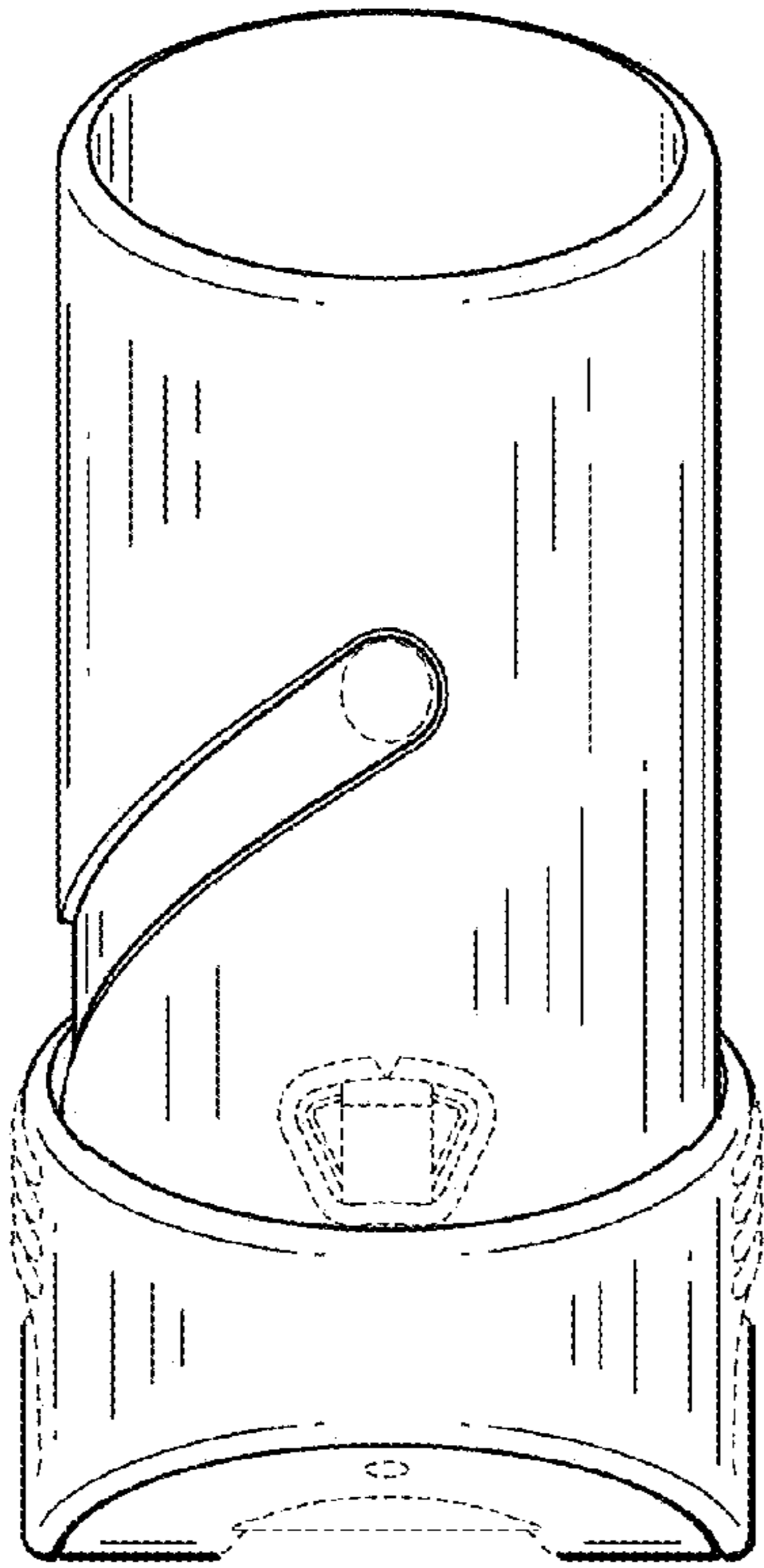


FIG. 4

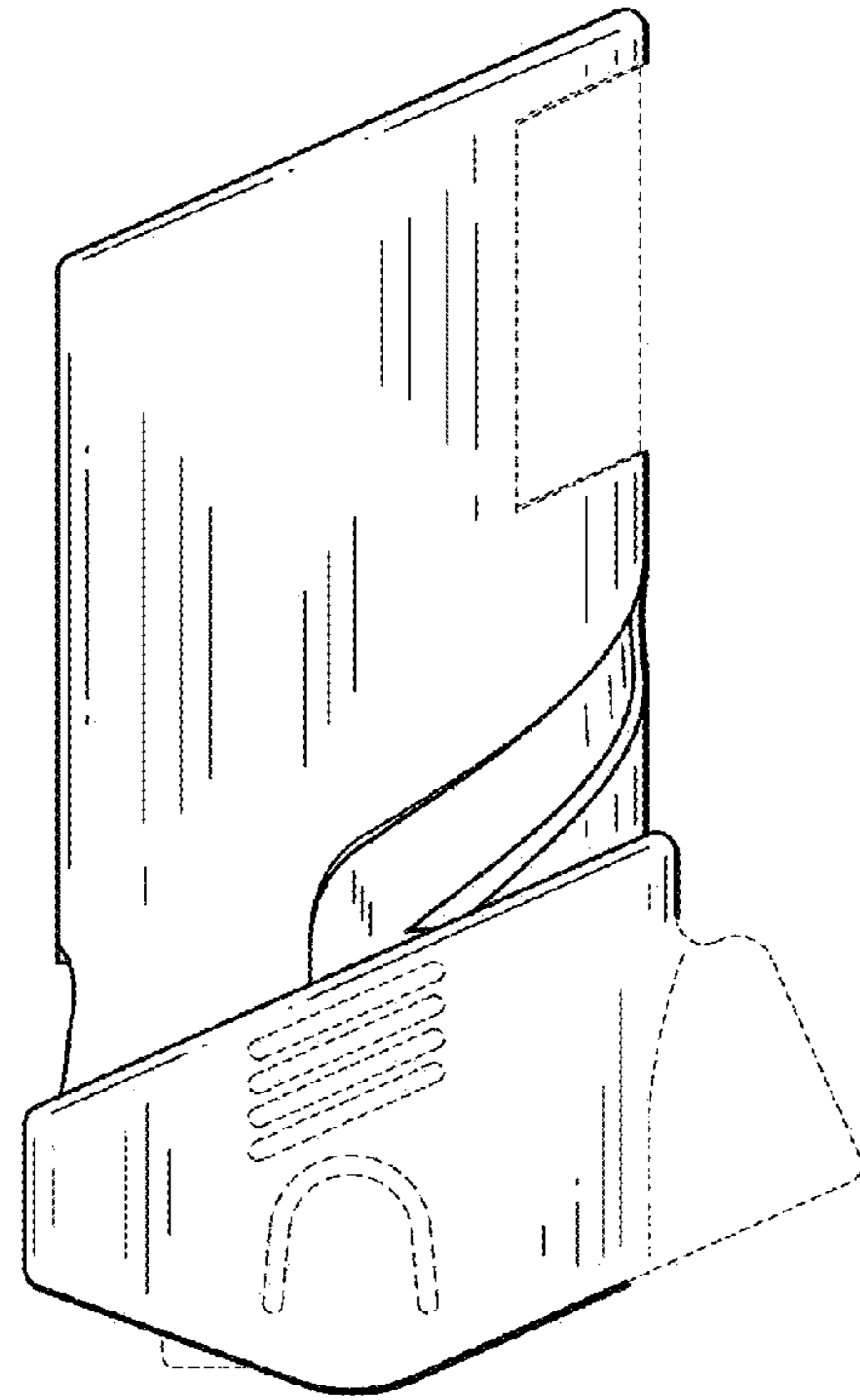


FIG. 5

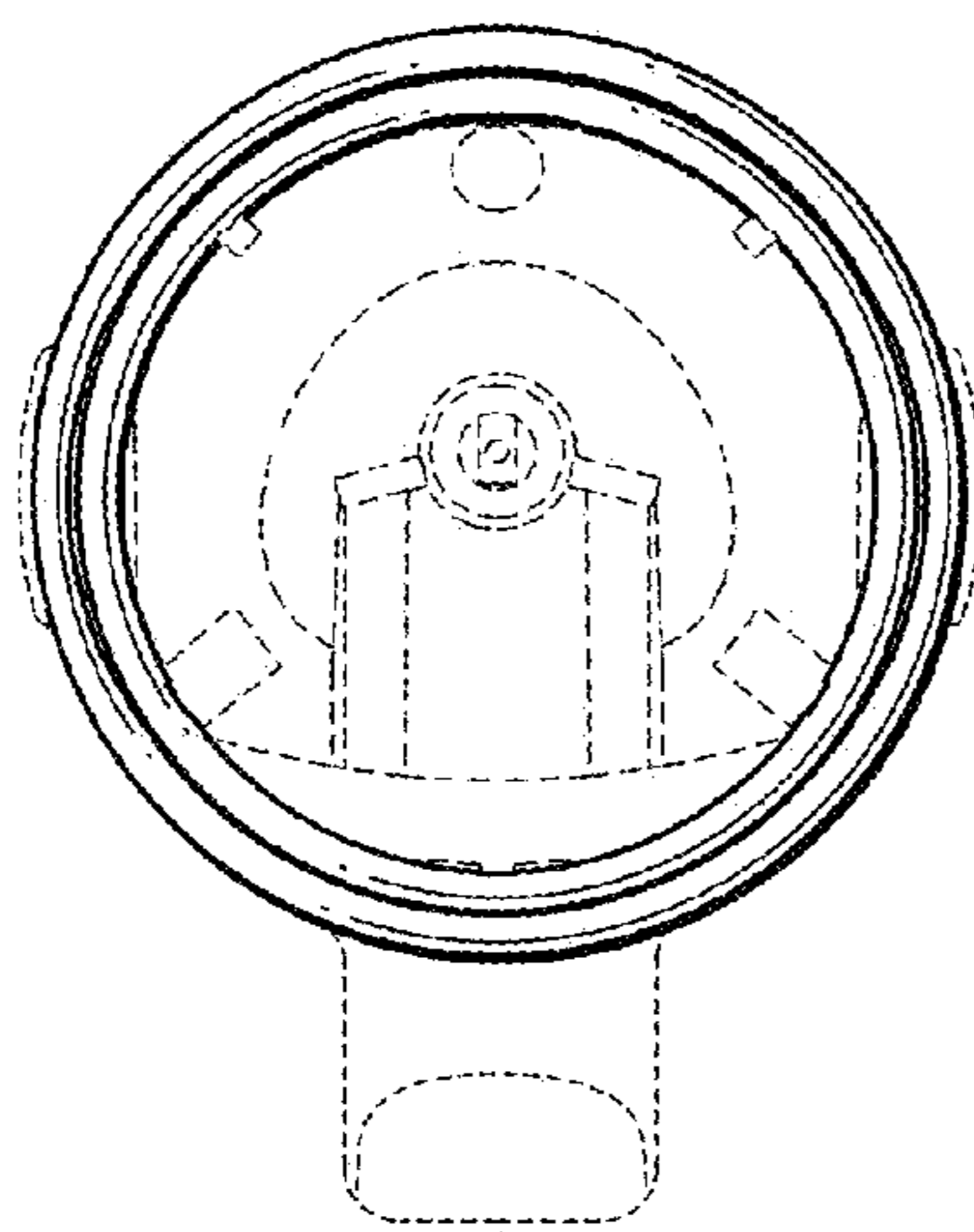


FIG. 6

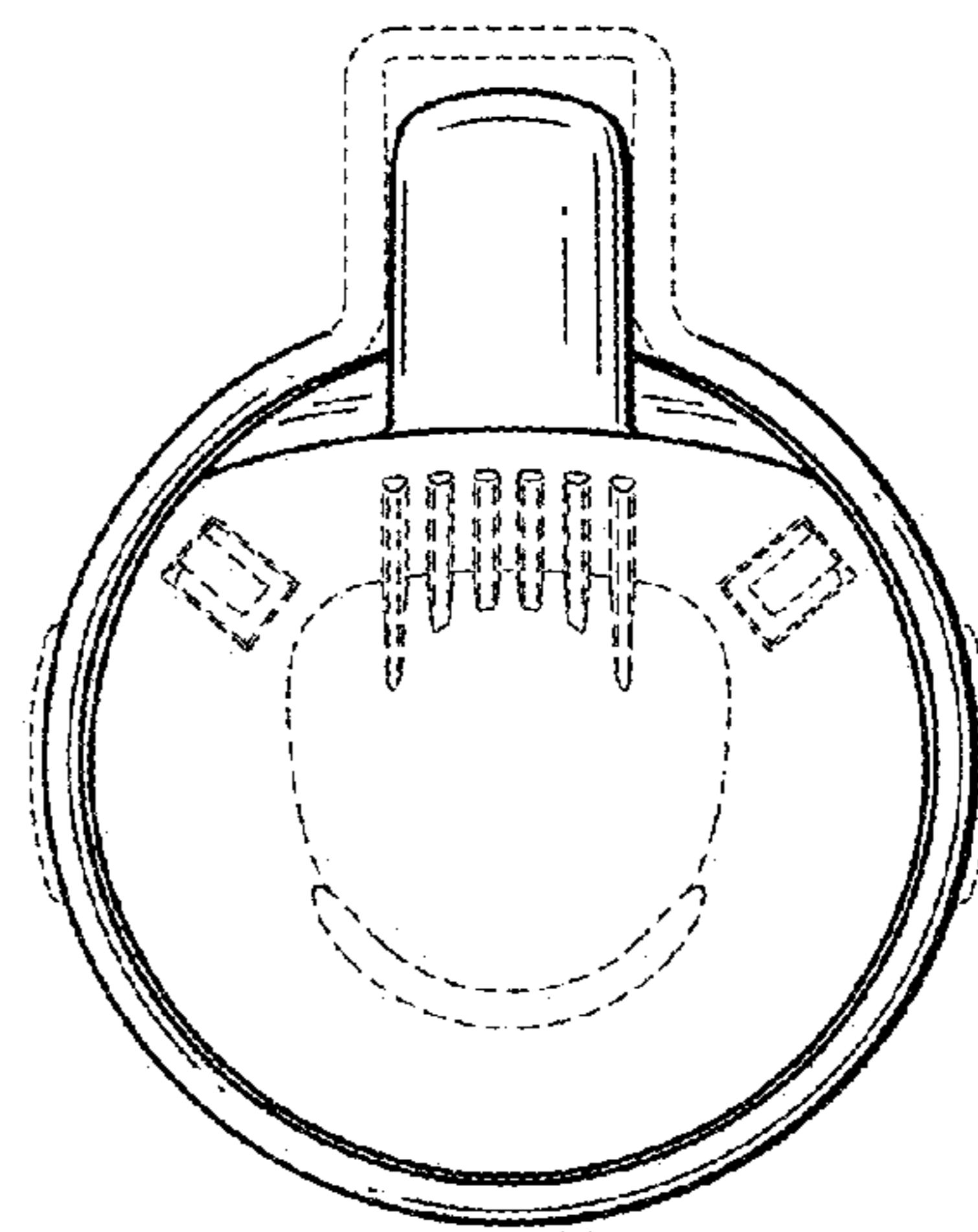


FIG. 7



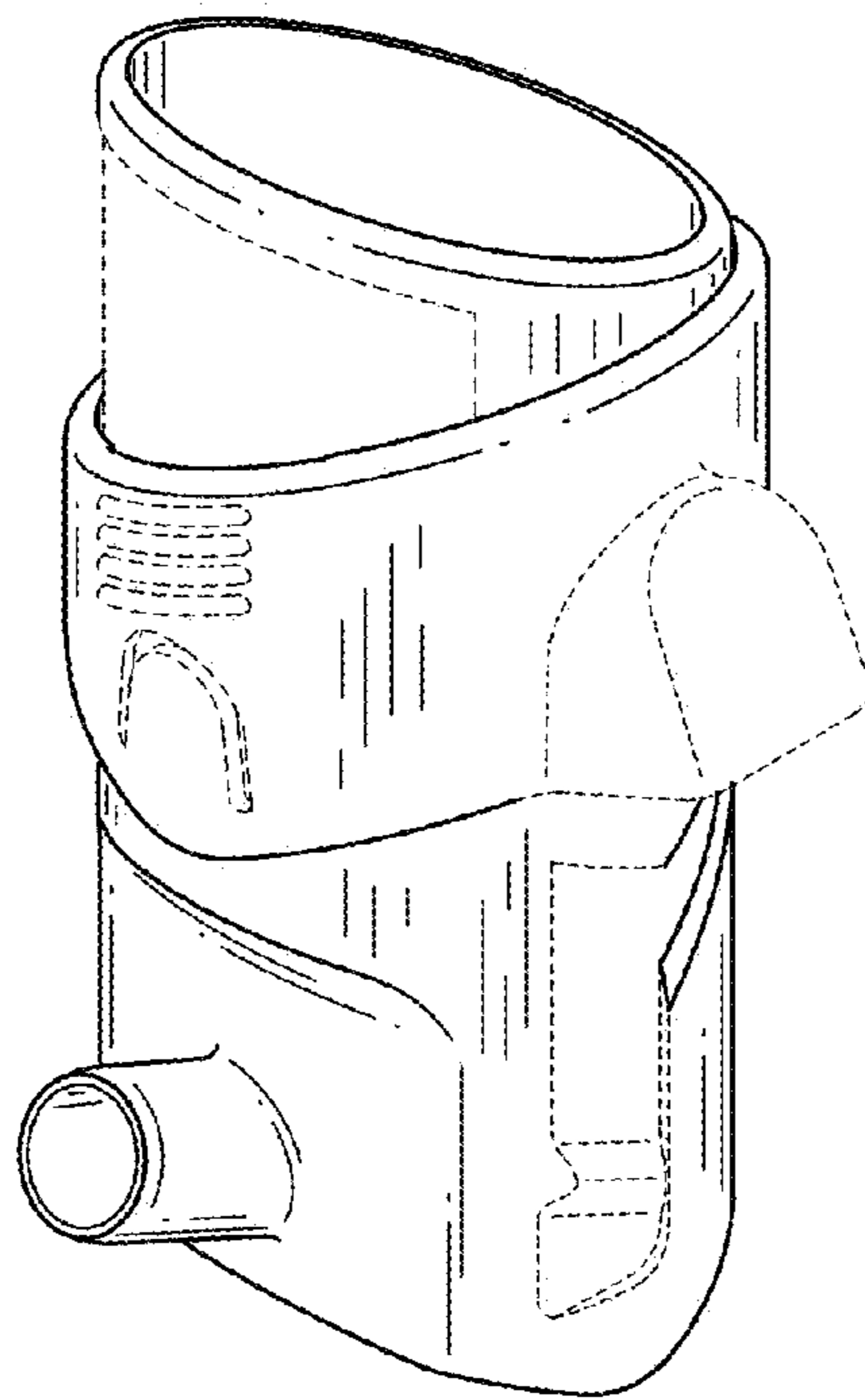


FIG. 8

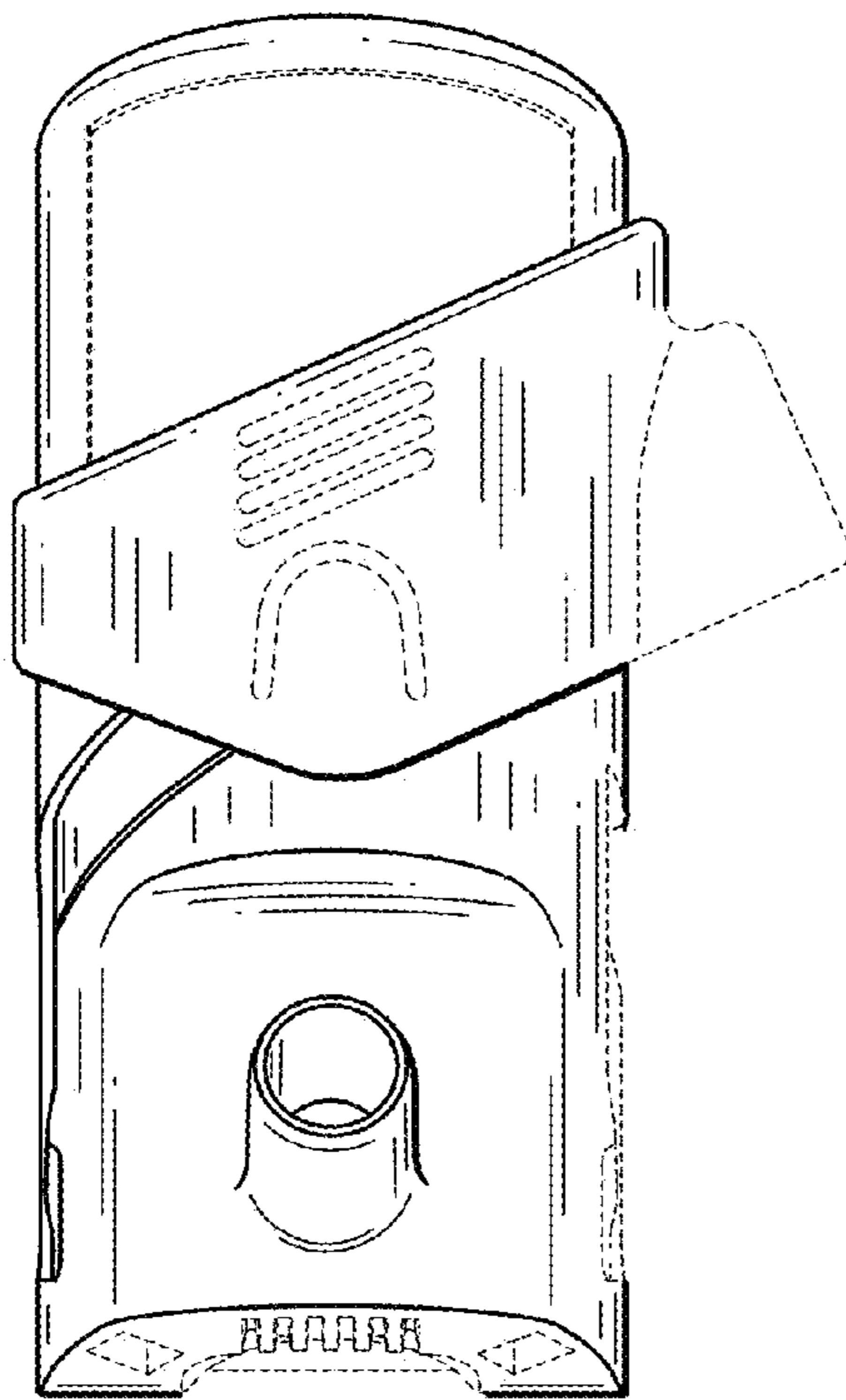


FIG. 9

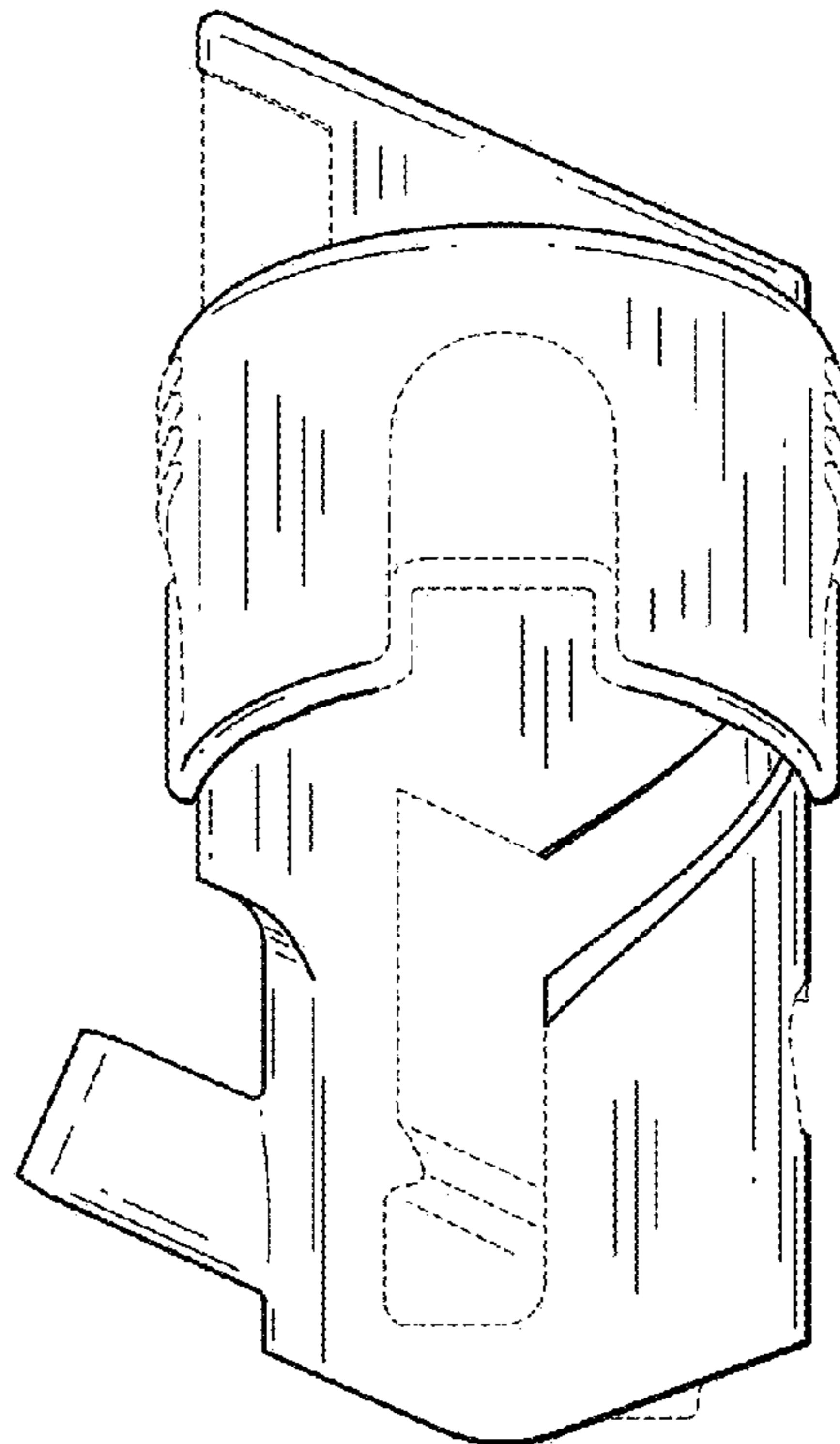


FIG. 10

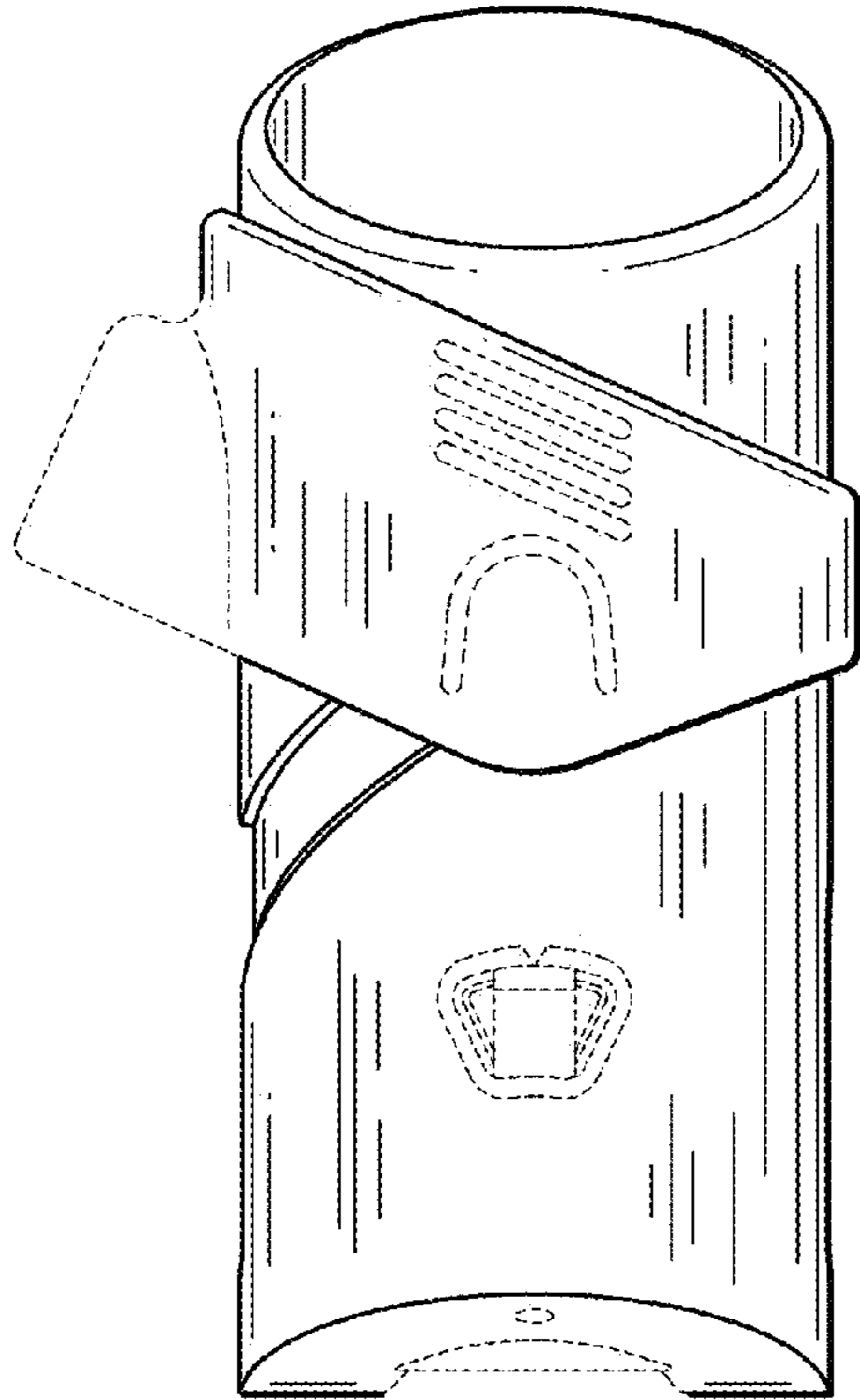


FIG. 11

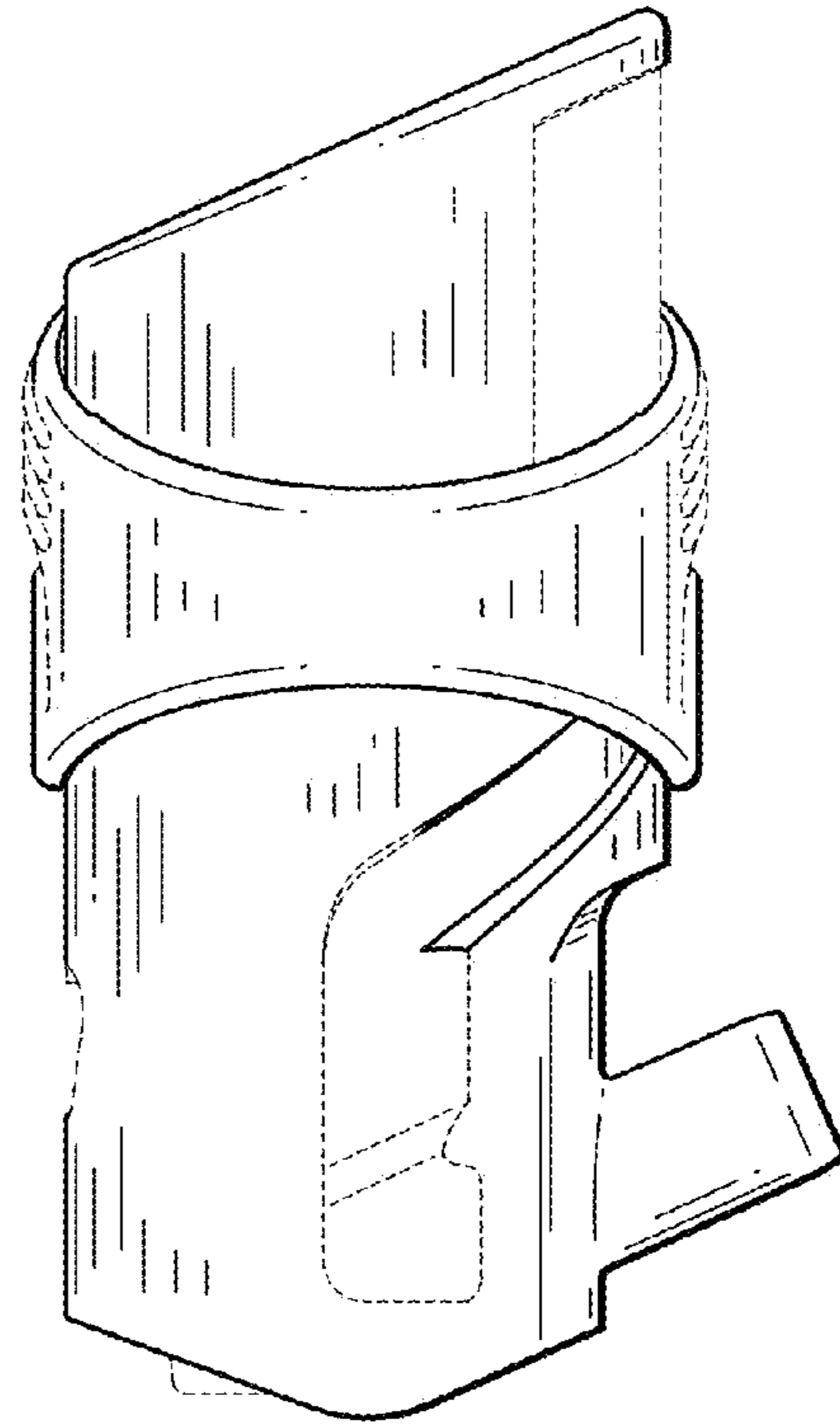


FIG. 12

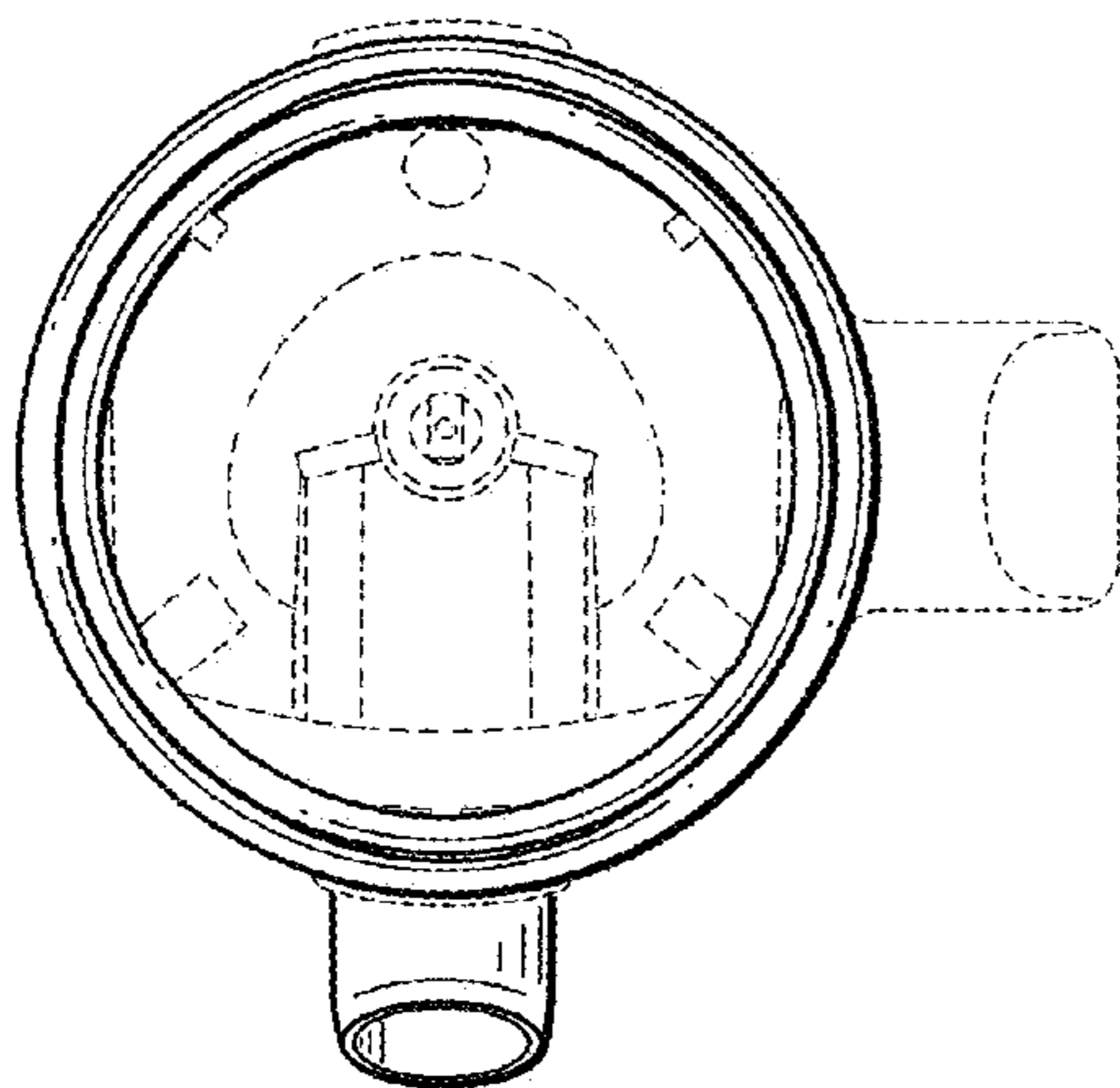


FIG. 13

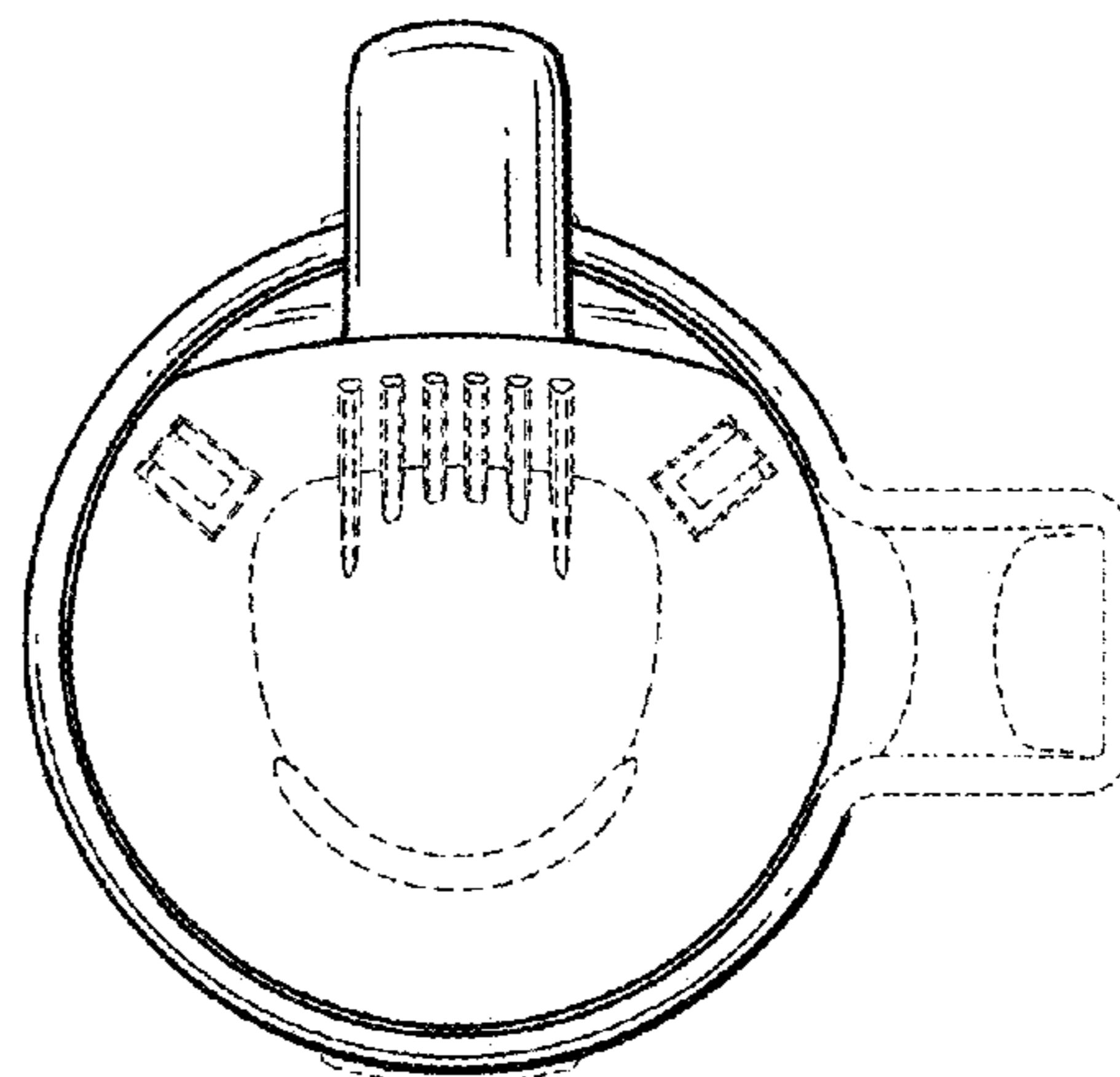


FIG. 14