



US00D687940S

(12) **United States Design Patent**  
**Gordon et al.**

(10) **Patent No.:** **US D687,940 S**  
(45) **Date of Patent:** **\*\* Aug. 13, 2013**

(54) **VOLATILE MATERIAL DISPENSER**

(71) Applicants: **William F. Gordon**, Chicago, IL (US);  
**Alex Mecker**, Milwaukee, WI (US);  
**Kenneth W. Michaels**, Spring Grove, IA (US)

(72) Inventors: **William F. Gordon**, Chicago, IL (US);  
**Alex Mecker**, Milwaukee, WI (US);  
**Kenneth W. Michaels**, Spring Grove, IA (US)

(73) Assignee: **S.C. Johnson & Son, Inc**, Racine, WI (US)

(\*\*) Term: **14 Years**

(21) Appl. No.: **29/436,188**

(22) Filed: **Nov. 2, 2012**

(51) **LOC (9) Cl.** ..... **28-99**

(52) **U.S. Cl.**  
USPC ..... **D23/366**

(58) **Field of Classification Search**  
USPC ..... D23/355-369; D28/5, 6; 261/DIG. 17,  
261/DIG. 42, DIG. 65, DIG. 88, DIG. 89,  
261/DIG. 47, DIG. 55, DIG. 70; 392/356,  
392/390, 392, 394, 395; 239/34, 44, 53,  
239/55, 56, 326, 60, 308; D9/687; D7/591  
See application file for complete search history.

(56) **References Cited**

U.S. PATENT DOCUMENTS

6,854,717 B2	2/2005	Millan	
D508,557 S	8/2005	Morrill	
D542,902 S *	5/2007	Caserta et al.	D23/366
D542,903 S *	5/2007	Caserta et al.	D23/366
D548,318 S *	8/2007	Copeman	D23/366
D551,334 S *	9/2007	Copeman	D23/368
D556,311 S *	11/2007	Copeman	D23/366
D596,729 S *	7/2009	Langley et al.	D23/366
D596,730 S *	7/2009	Langley et al.	D23/366

D631,146 S	1/2011	Shu	
D638,531 S	5/2011	Irwin	
D642,667 S	8/2011	Irwin	
D661,790 S	6/2012	Majerowski	
D663,399 S	7/2012	Browder	
D663,404 S	7/2012	Browder	
D663,405 S	7/2012	Browder	
D663,474 S	7/2012	Browder	
D663,817 S	7/2012	Browder	
D663,818 S	7/2012	Browder	
D663,819 S	7/2012	Browder	
D663,820 S	7/2012	Browder	
D663,822 S	7/2012	Browder	
D666,283 S *	8/2012	Mandell et al.	D23/366
D669,568 S *	10/2012	Mandell et al.	D23/366
2007/0237498 A1	10/2007	Helf	

\* cited by examiner

Primary Examiner — Sandra Snapp

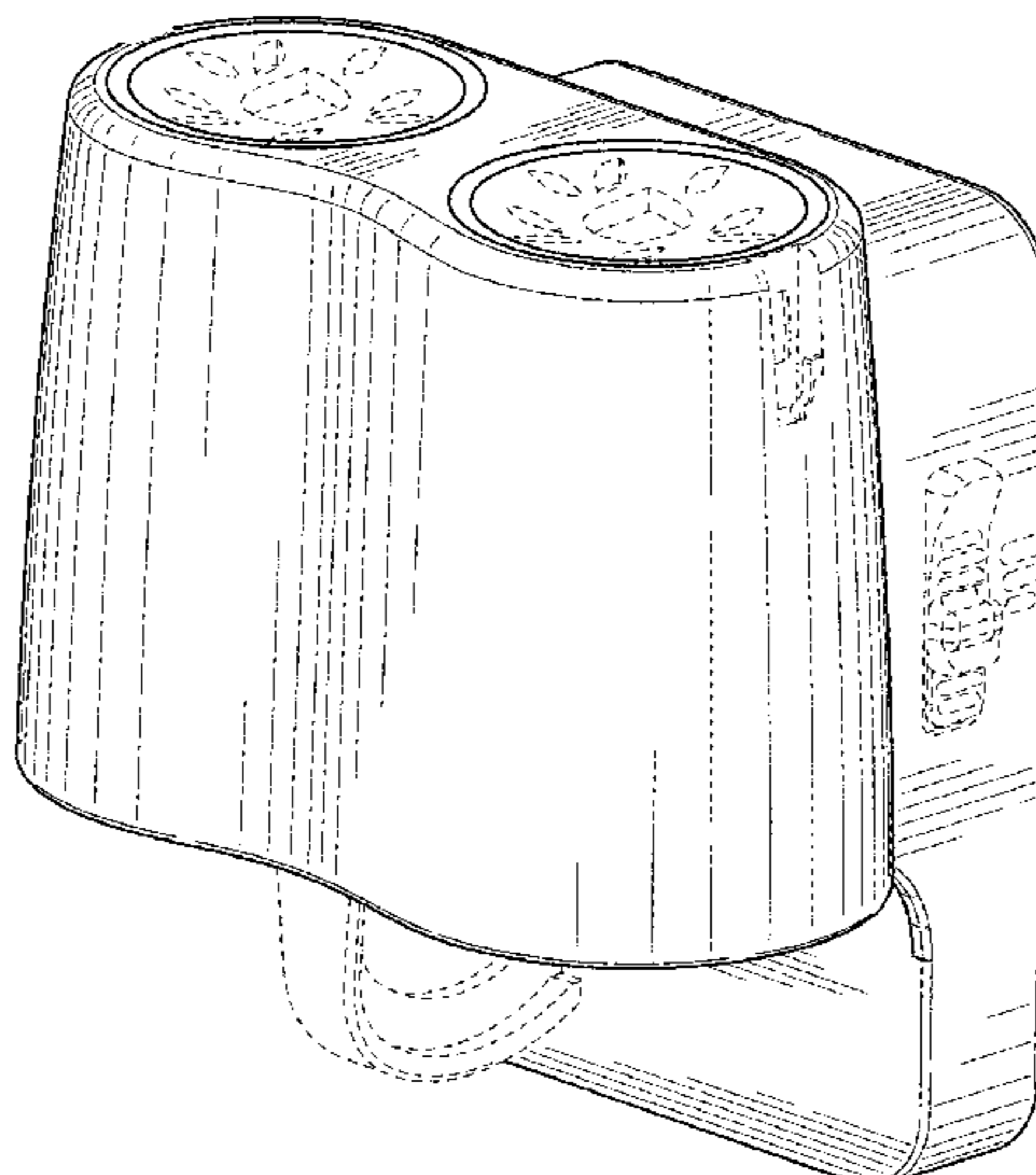
(57) **CLAIM**

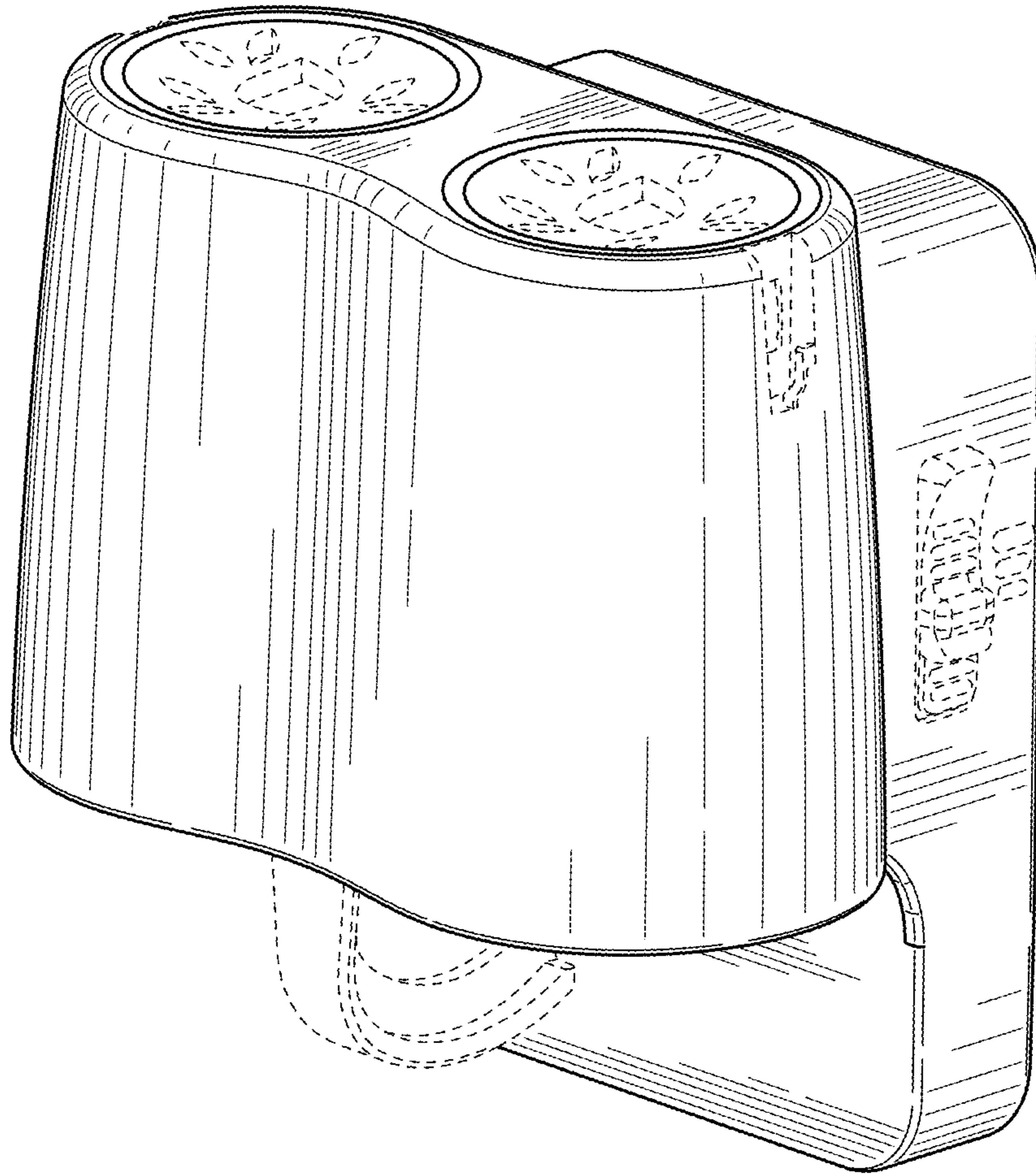
The ornamental design for a volatile material dispenser, as shown and described.

**DESCRIPTION**

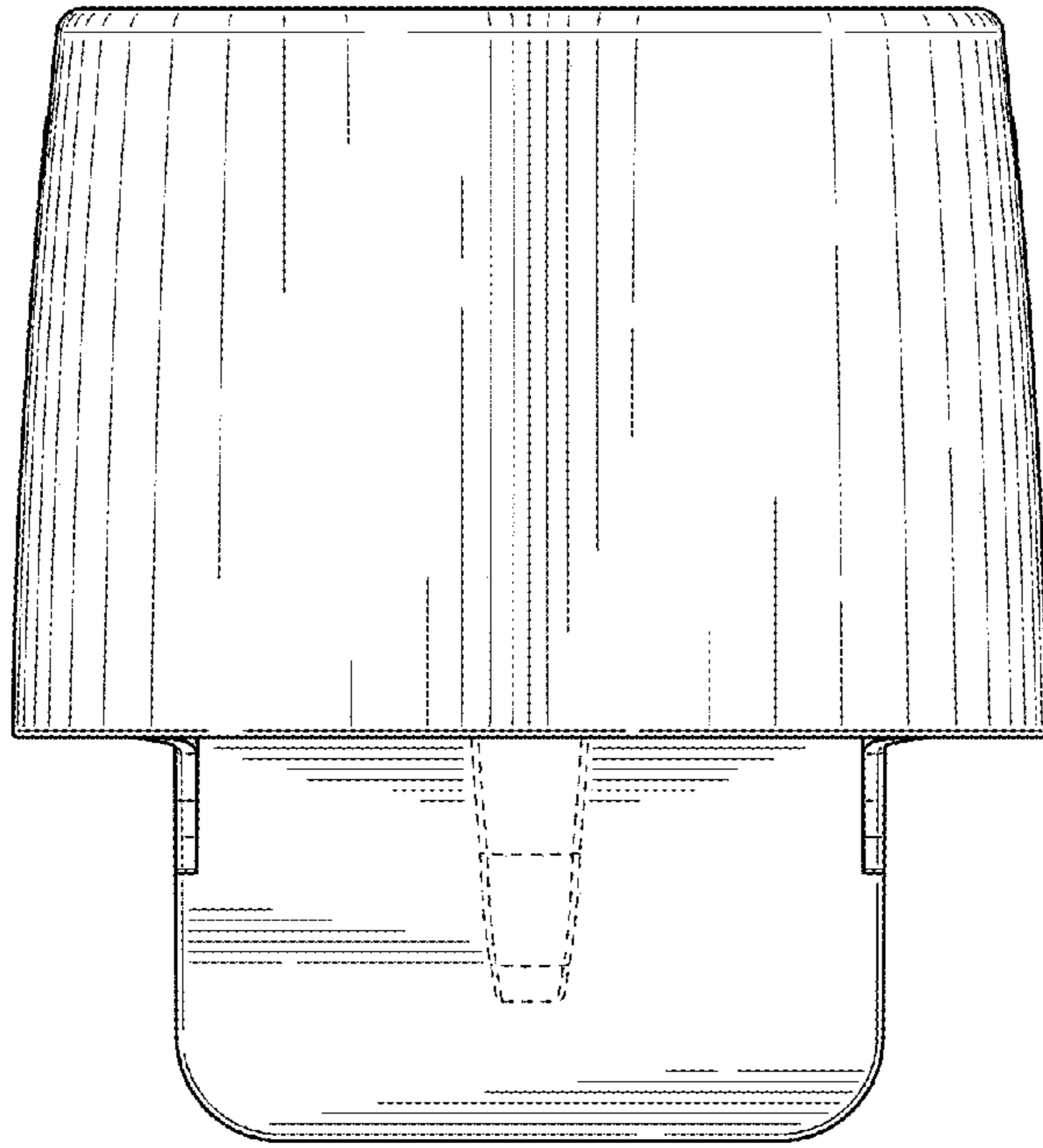
FIG. 1 is a top perspective view of an ornamental design for a volatile material dispenser;  
 FIG. 2 is a front elevational view of the volatile material dispenser of FIG. 1;  
 FIG. 3 is a rear elevational view of the volatile material dispenser of FIG. 1;  
 FIG. 4 is an elevational view of a first side of the volatile material dispenser of FIG. 1;  
 FIG. 5 is an elevational view of a second side of the volatile material dispenser of FIG. 1, wherein the second side is opposite the first side;  
 FIG. 6 is a top elevational view of the volatile material dispenser of FIG. 1; and,  
 FIG. 7 is a bottom elevational view of the volatile material dispenser of FIG. 1.  
 The broken lines in the drawings depict environmental subject matter only and form no part of the claimed design.

**1 Claim, 4 Drawing Sheets**

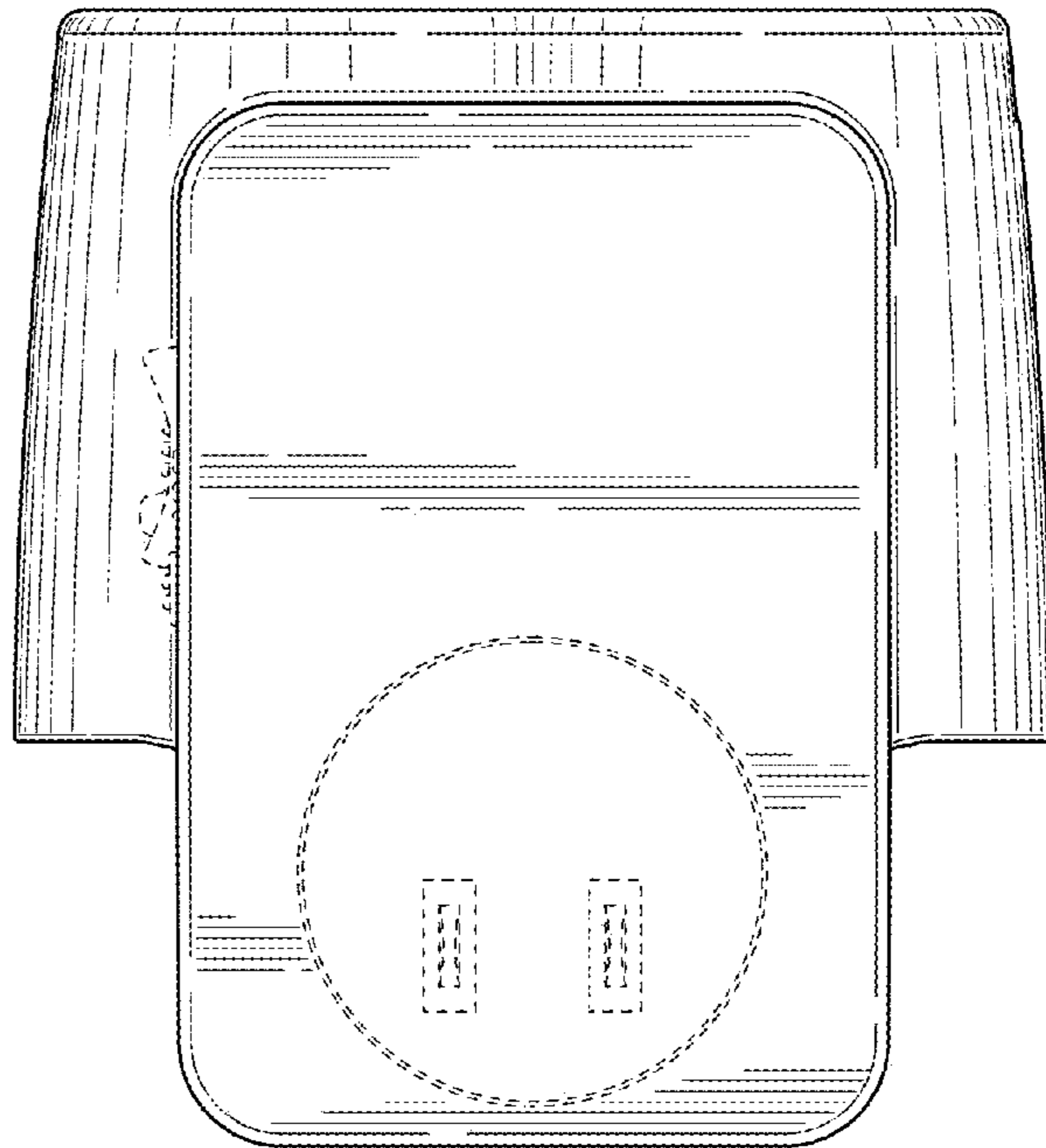




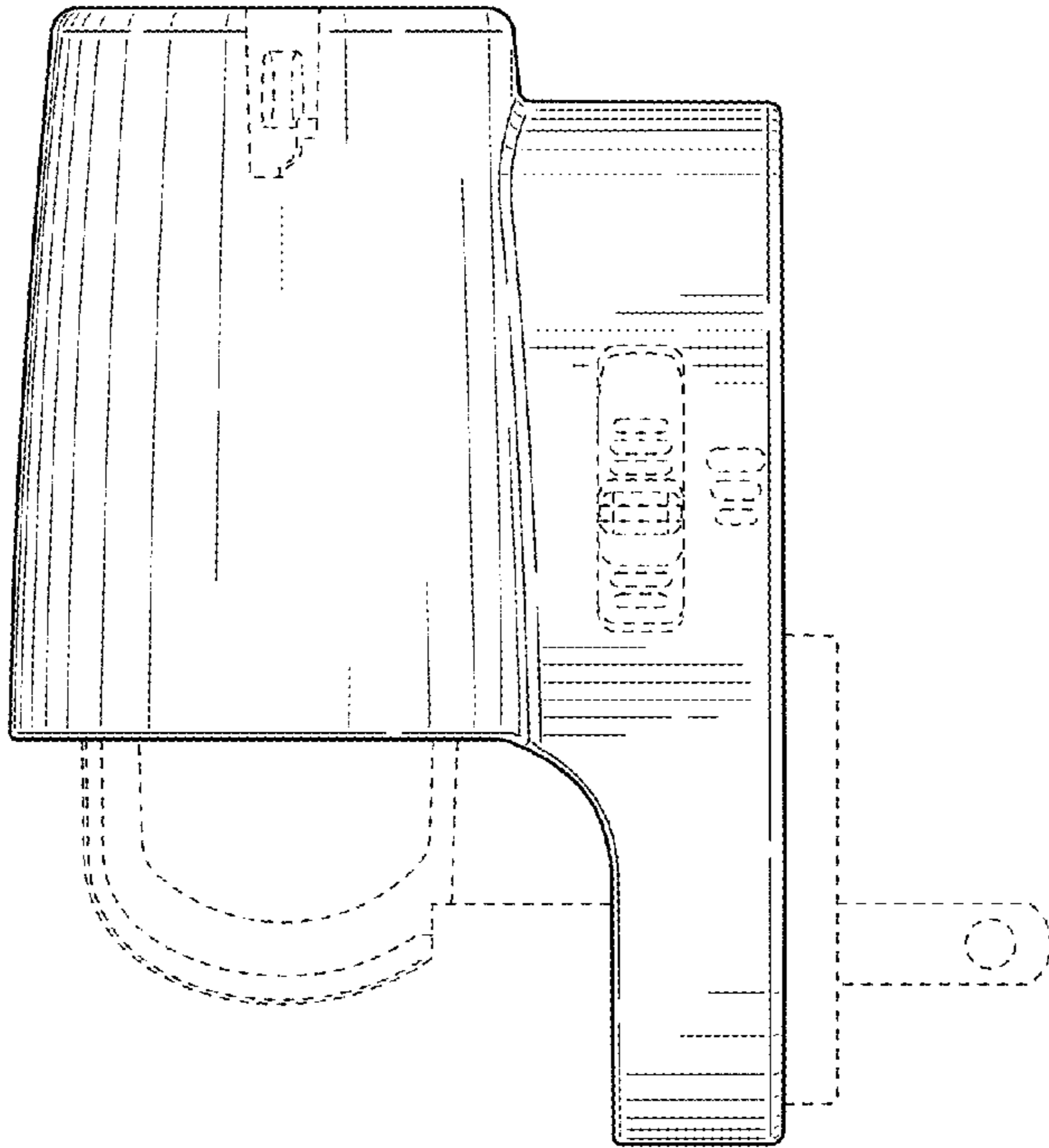
*FIG. 1*



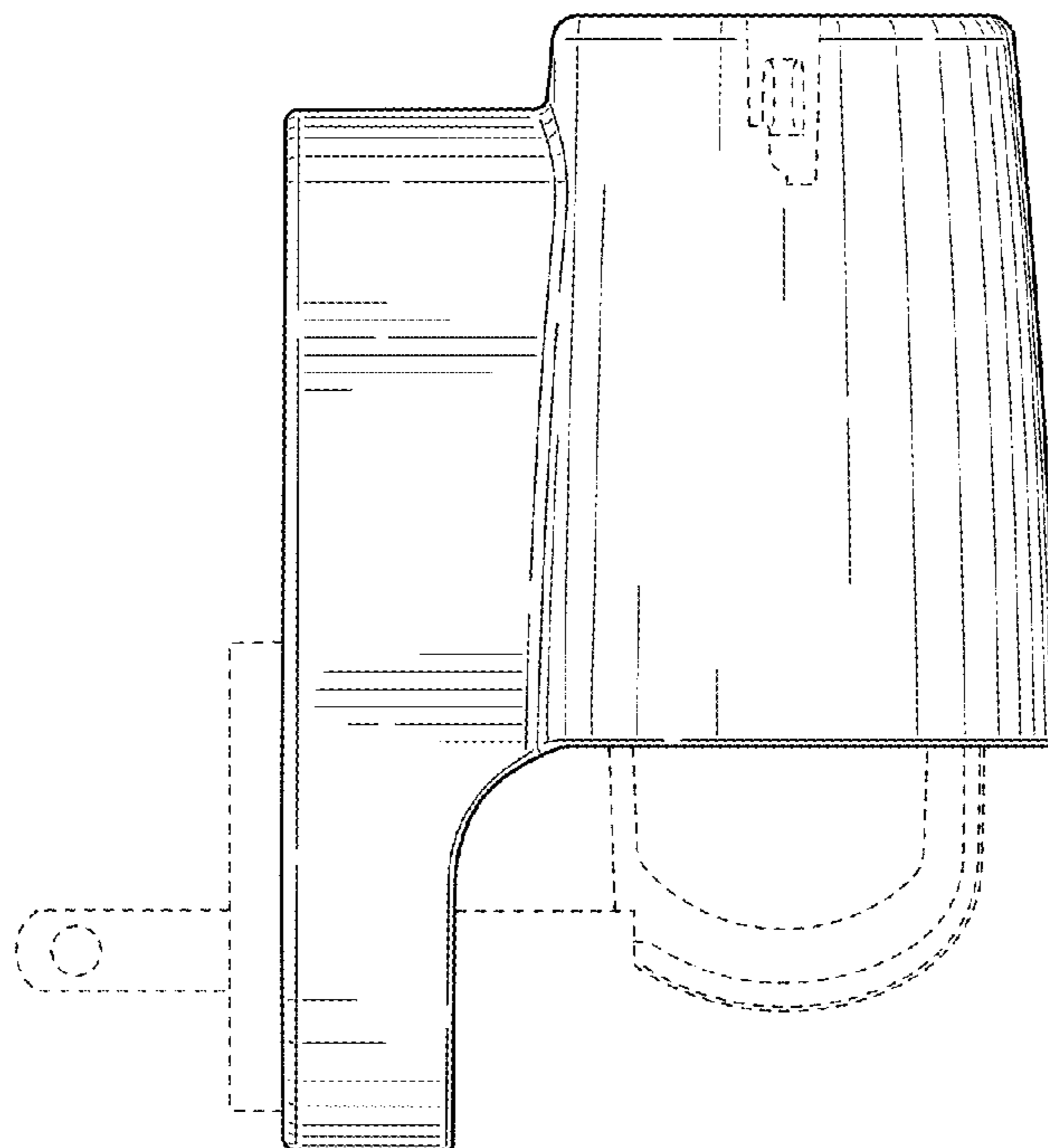
*FIG. 2*



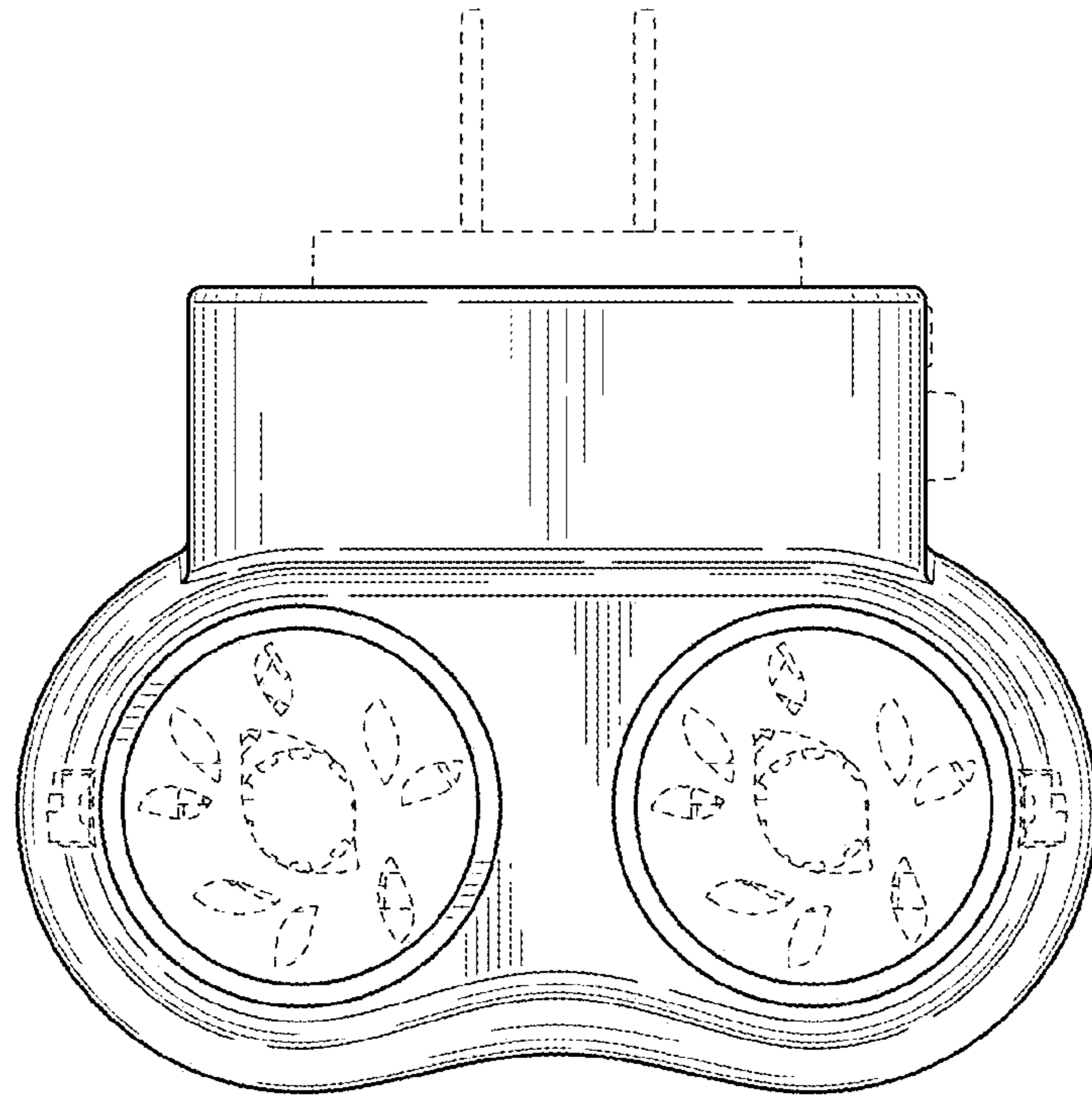
*FIG. 3*



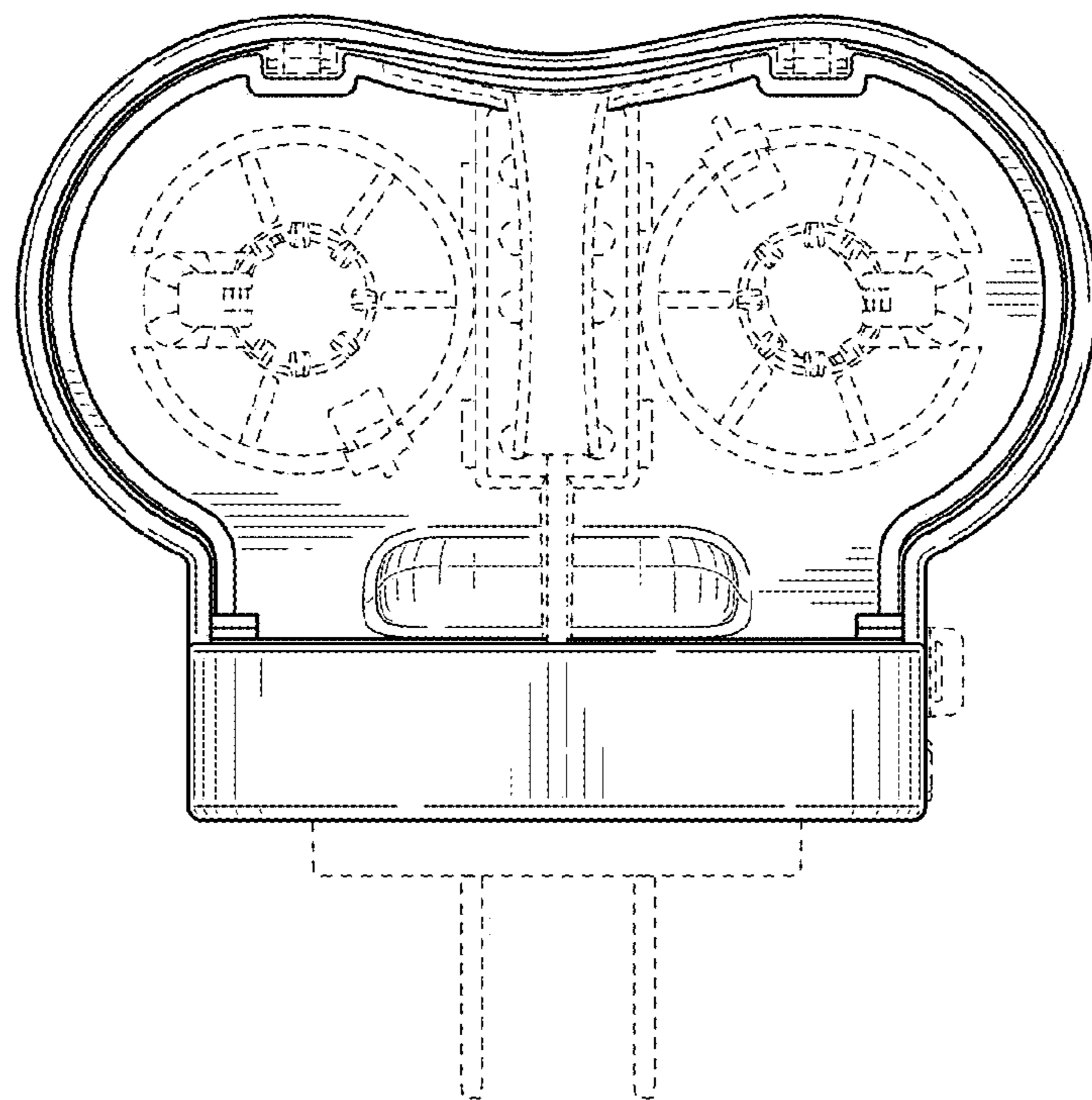
*FIG. 4*



*FIG. 5*



*FIG. 6*



*FIG. 7*