



US00D687937S

(12) **United States Design Patent**  
**Nemes**

(10) **Patent No.:** **US D687,937 S**

(45) **Date of Patent:** **\*\* Aug. 13, 2013**

(54) **FLOOR HEATER**

D503,220 S \* 3/2005 Kim ..... D23/332  
D539,402 S \* 3/2007 Blateri ..... D23/336  
D554,244 S \* 10/2007 Blateri ..... D23/335

(75) Inventor: **Tyler Nemes**, Delray Beach, FL (US)

\* cited by examiner

(73) Assignee: **Twin-Star International, Inc.**, Delray Beach, FL (US)

*Primary Examiner* — T. Chase Nelson

*Assistant Examiner* — Ania Aman

(\*\*) Term: **14 Years**

(74) *Attorney, Agent, or Firm* — Johnson & Martin, P.A.; James David Johnson

(21) Appl. No.: **29/424,134**

(22) Filed: **Jun. 7, 2012**

(57) **CLAIM**

The ornamental designs for a floor heater, as shown and described.

(51) **LOC (9) Cl.** ..... **23-03**

(52) **U.S. Cl.**

**DESCRIPTION**

USPC ..... **D23/332**

(58) **Field of Classification Search**

USPC ..... D23/314, 332, 335–350, 378, 370,  
D23/354, 351, 386, 333, 328, 353, 361, 385,  
D23/417, 357, 381–382; 392/365, 367, 424,  
392/383, 411, 360, 369, 373–376, 366;  
126/183, 110 B, 91 A, 92 A, 500, 544, 547,  
126/90 A, 92 B, 92 AC; 431/125; 416/244 R,  
416/246, 247 R

See application file for complete search history.

FIG. 1 is a perspective view of an ornamental design for a floor heater.

FIG. 2 is a front elevation view of the floor heater of FIG. 1.

FIG. 3 is a rear elevation view of the floor heater of FIG. 1.

FIG. 4 is a left side elevation view of the floor heater of FIG. 1.

FIG. 5 is a right side elevation view of the floor heater of FIG. 1.

FIG. 6 is a top plan view of the floor heater of FIG. 1; and,

FIG. 7 is a bottom plan view of the floor heater of FIG. 1.

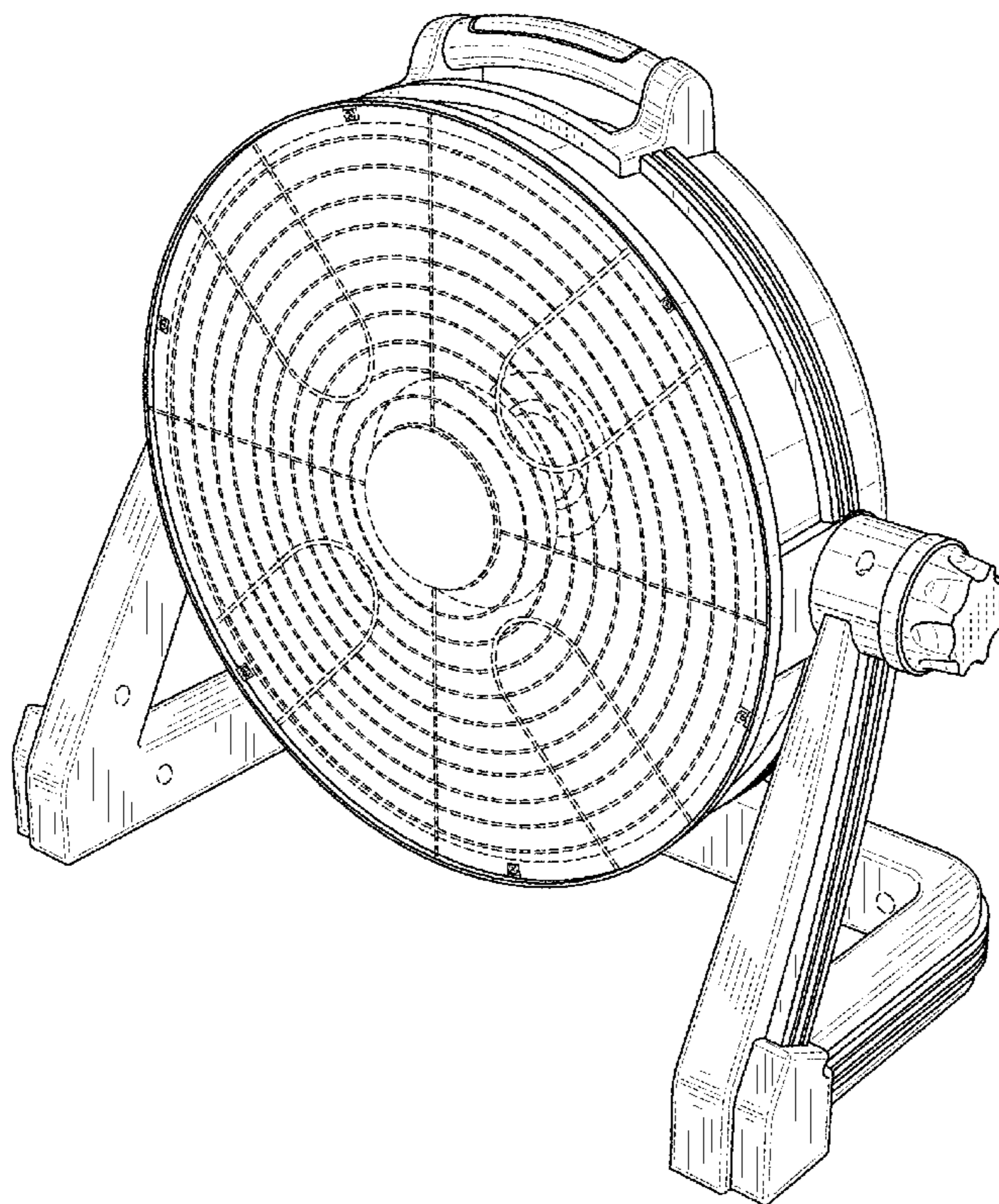
The broken line illustration of grille, grille cap, screw inserts, seams, and rear vents is shown for the purpose of illustrating optional structure of the article and forms no part of the claimed design.

(56) **References Cited**

**U.S. PATENT DOCUMENTS**

D426,296 S \* 6/2000 Blateri ..... D23/382  
D482,438 S \* 11/2003 Barker et al. .... D23/382  
D483,468 S \* 12/2003 Wong ..... D23/382

**1 Claim, 6 Drawing Sheets**



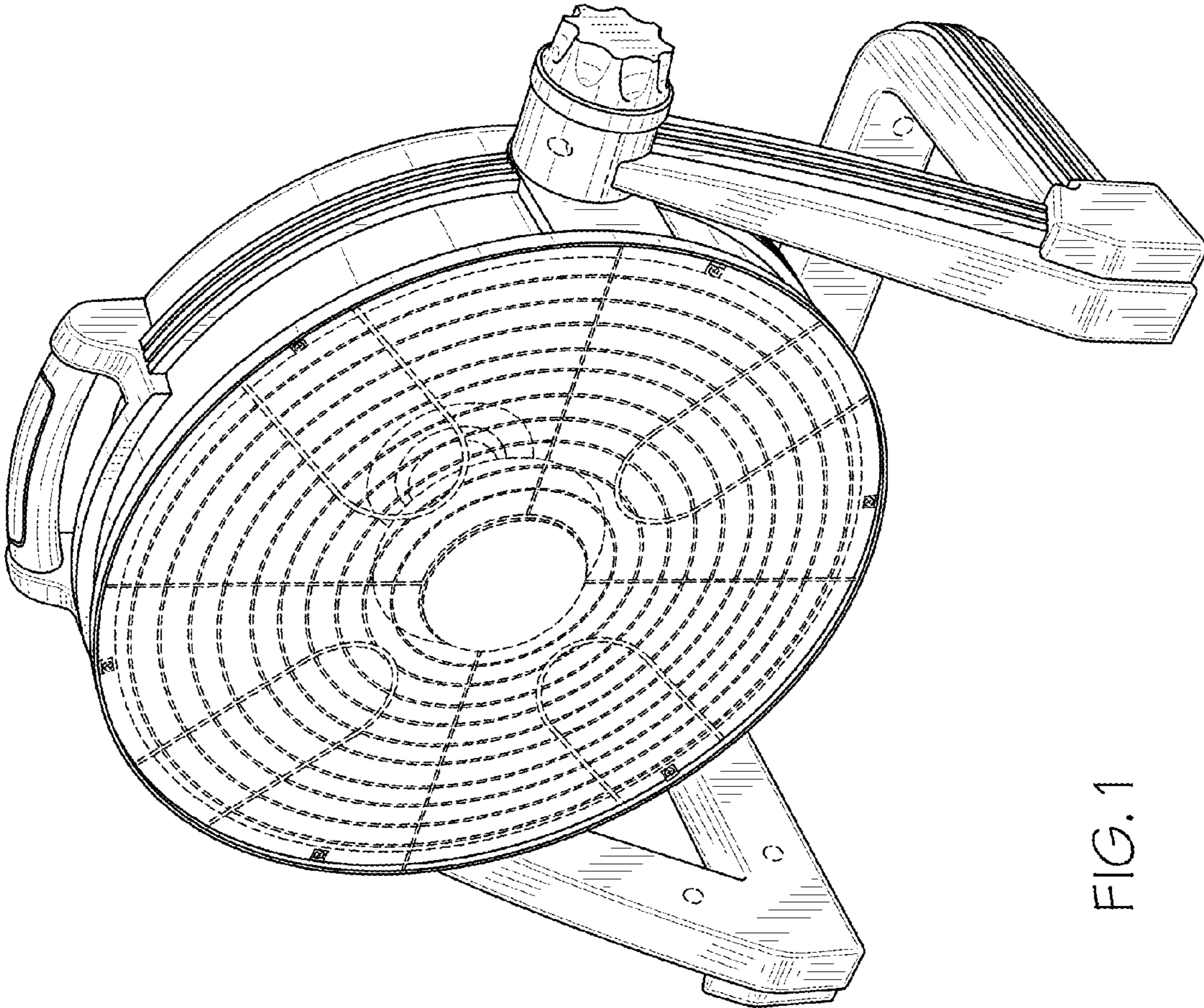


FIG. 1

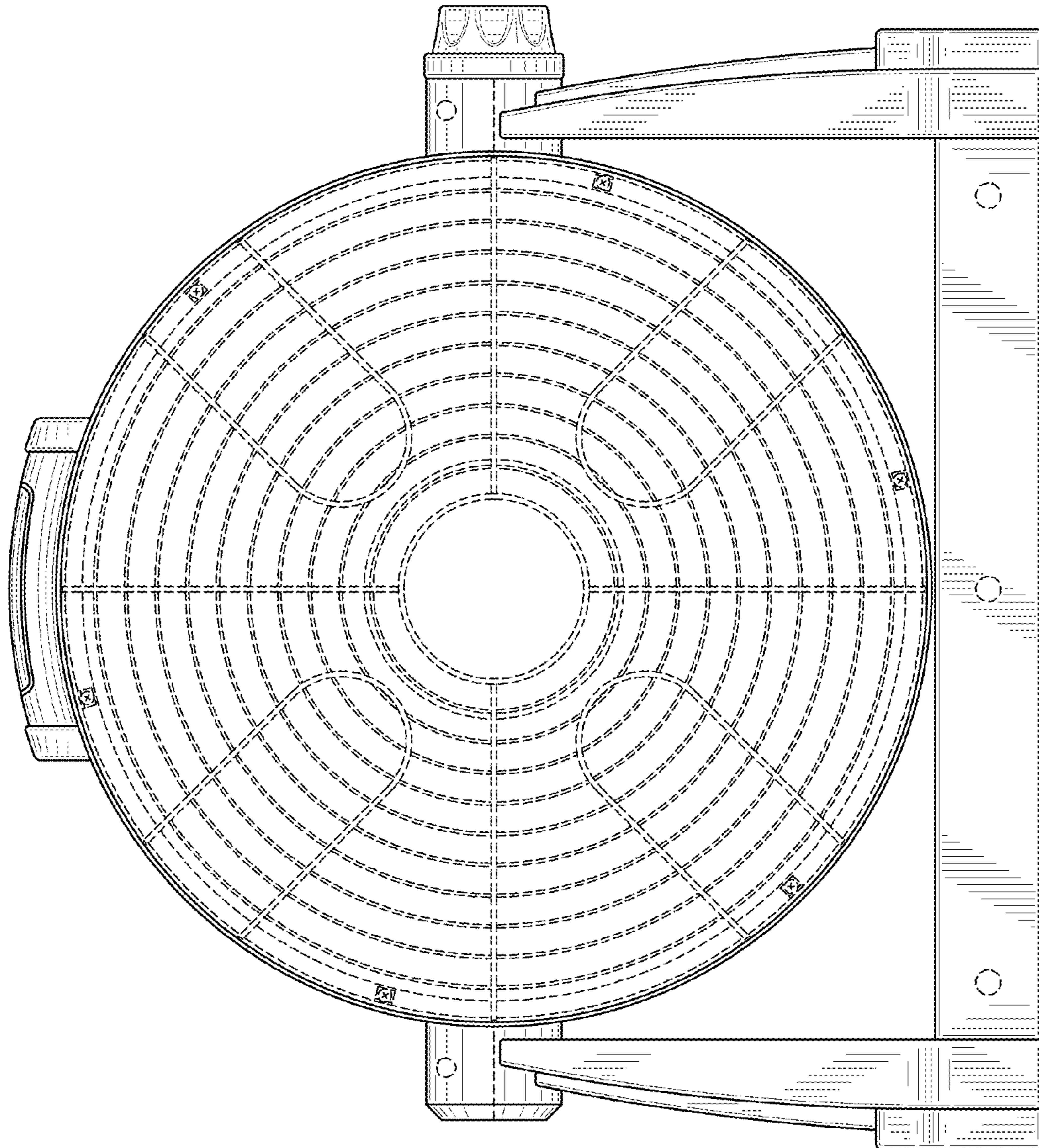


FIG. 2

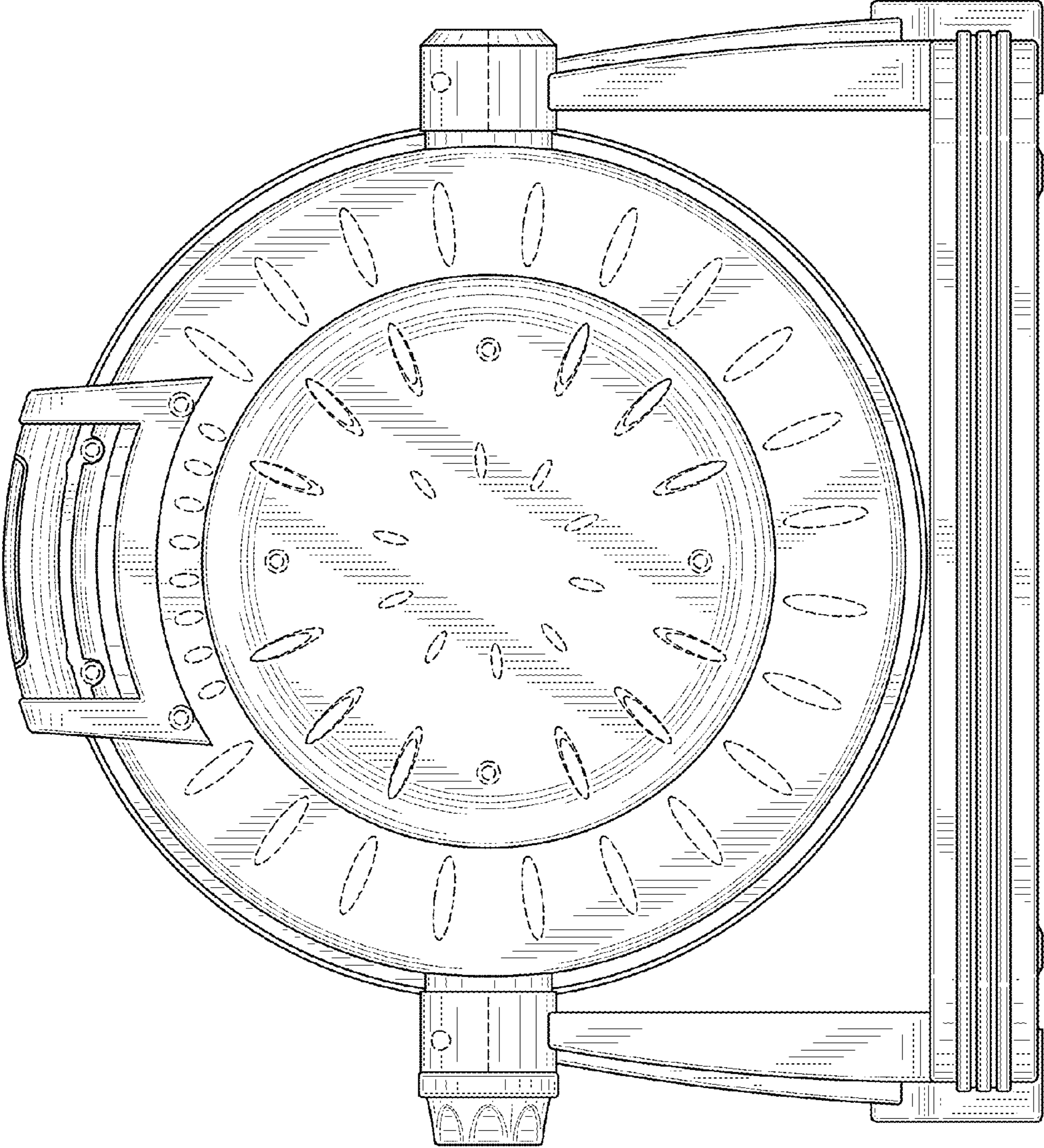


FIG. 3

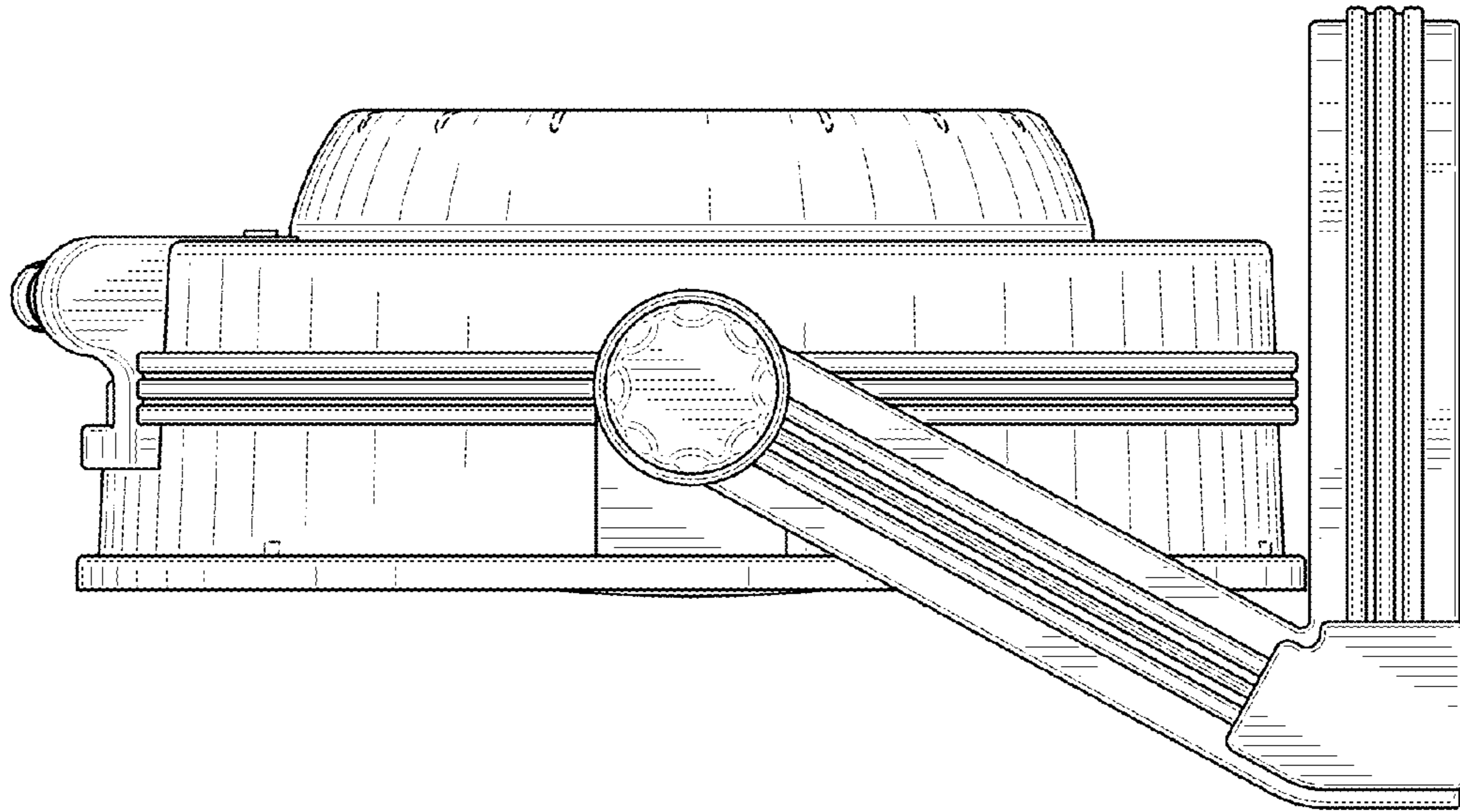


FIG. 5

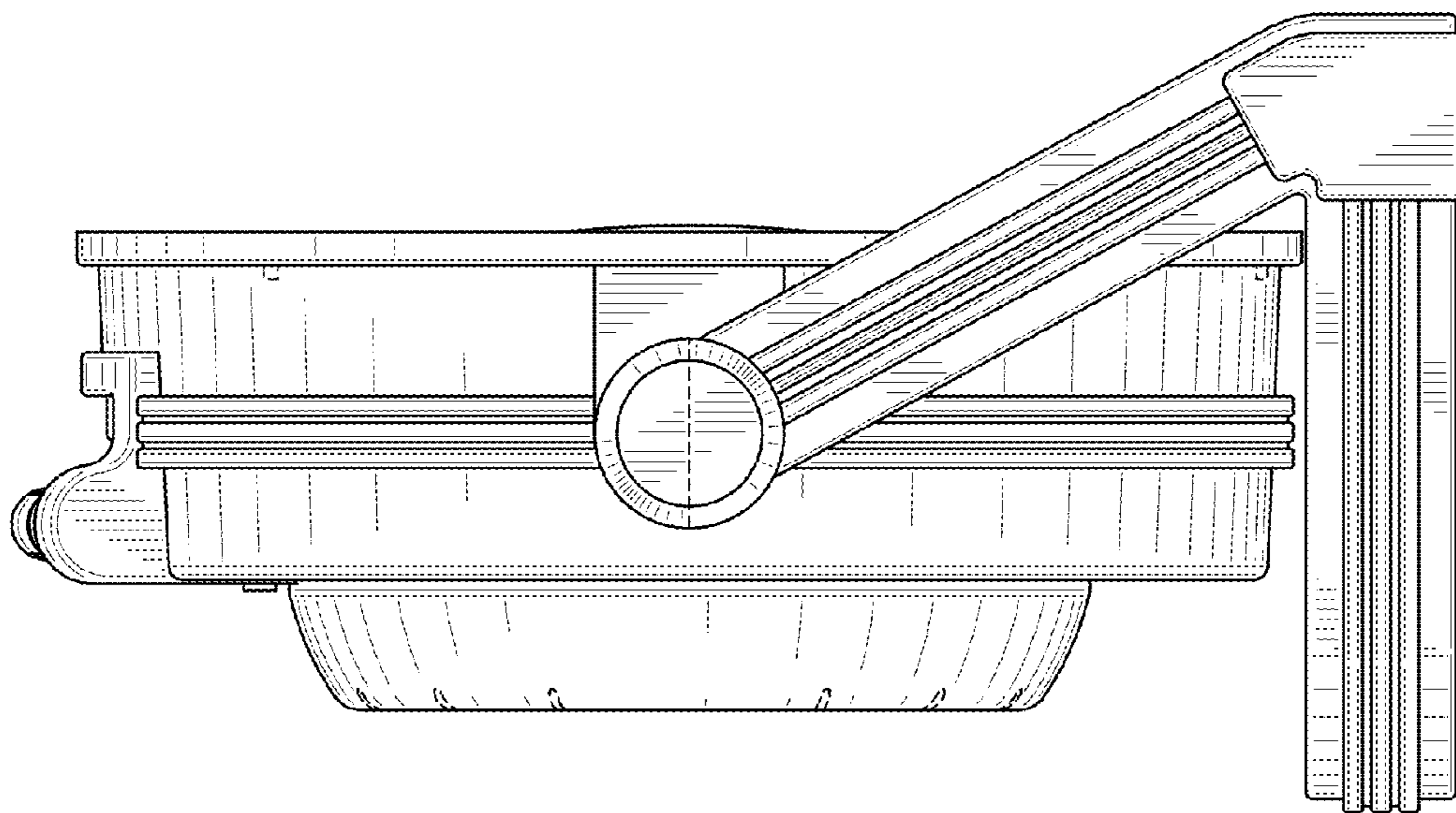


FIG. 4

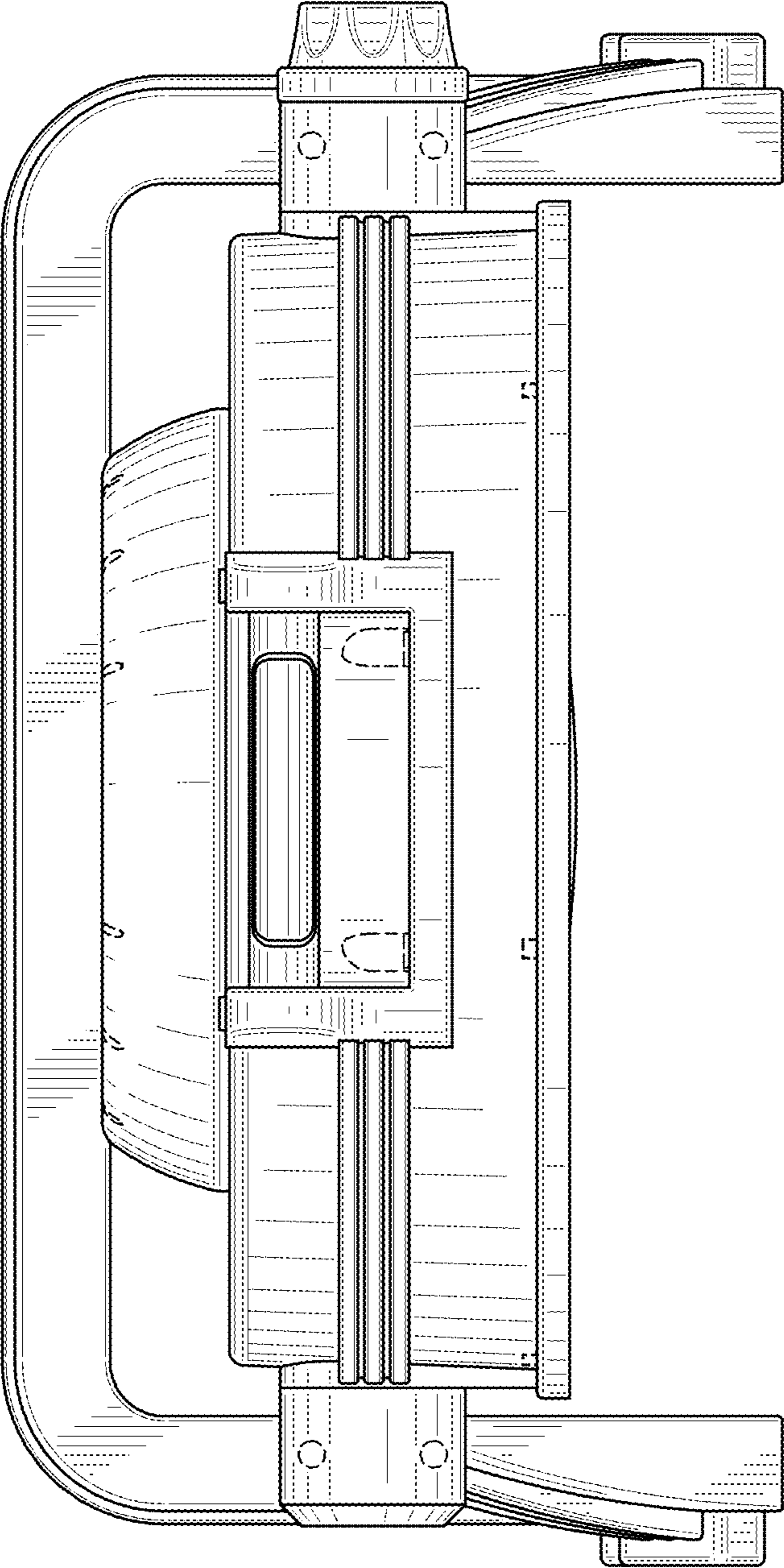


FIG. 6

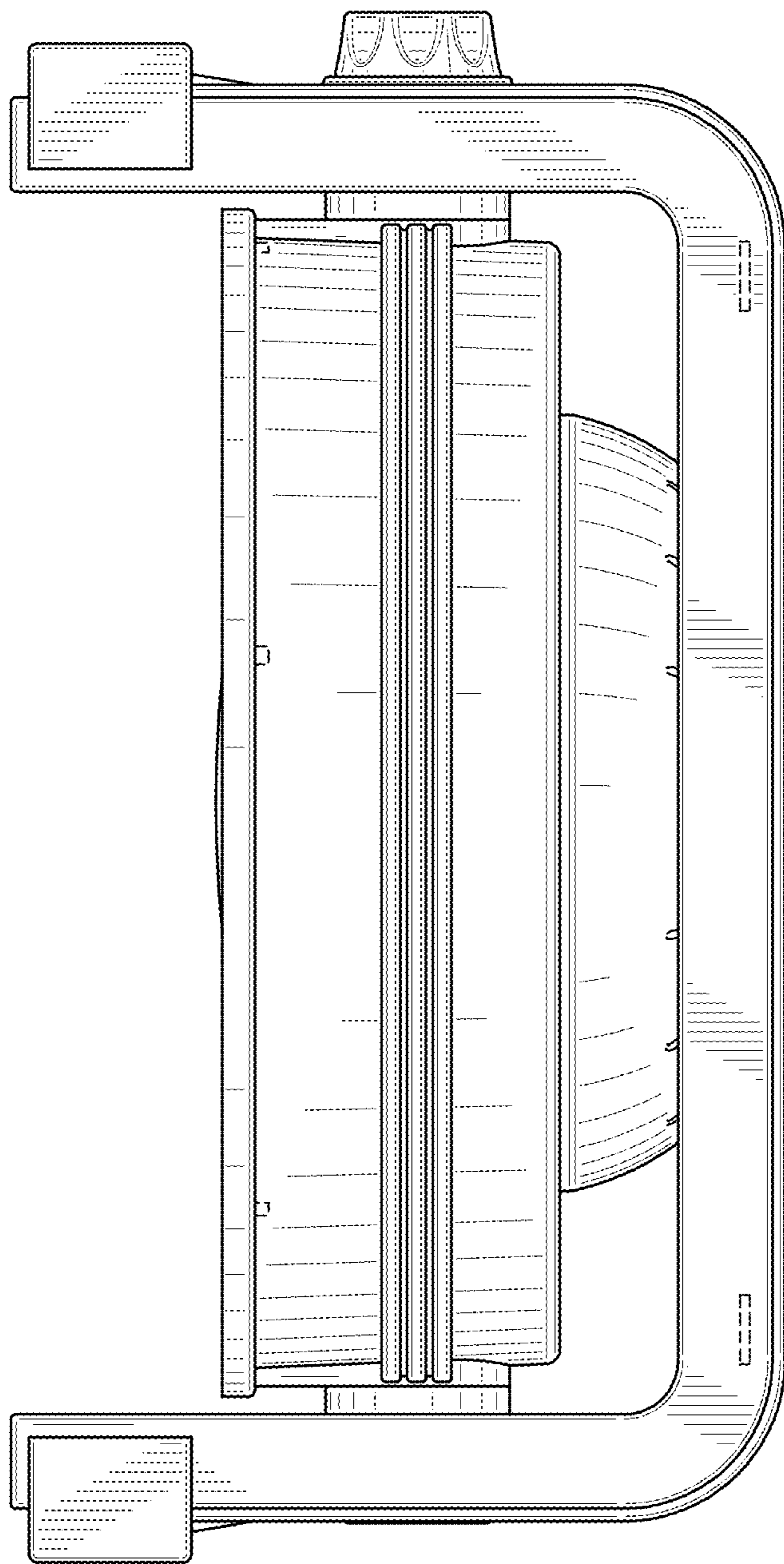


FIG. 7