



US00D687936S

(12) **United States Design Patent**
Kennedy

(10) **Patent No.:** **US D687,936 S**

(45) **Date of Patent:** **** Aug. 13, 2013**

(54) **TOILET TANK AND LID COMBINATION**

(75) **Inventor:** **Kevin Kennedy**, Parsippany, NJ (US)

(73) **Assignee:** **Niagara Conservation Corp.**, Forth Worth, TX (US)

(**) **Term:** **14 Years**

(21) **Appl. No.:** **29/427,464**

(22) **Filed:** **Jul. 18, 2012**

(51) **LOC (9) Cl.** **23-02**

(52) **U.S. Cl.**
USPC **D23/313**

(58) **Field of Classification Search**
USPC D23/295, 301, 303, 313; 4/300,
4/353

See application file for complete search history.

(56) **References Cited**

U.S. PATENT DOCUMENTS

D476,402 S *	6/2003	Singla Palacin	D23/313
D637,702 S *	5/2011	Rexach	D23/313
D672,019 S *	12/2012	Bucher	D23/301

* cited by examiner

Primary Examiner — Robert Delehanty

(74) *Attorney, Agent, or Firm* — Conley Rose, P.C.; Alan Dawson Lightfoot

(57) **CLAIM**

The ornamental design for the toilet tank and lid combination, as shown and described.

DESCRIPTION

A portion of the disclosure of this patent document contains material which is subject to copyright protection. The copyright owner has no objection to the facsimile reproduction by anyone of the patent document or the patent disclosure, as it appears in the Patent and Trademark Office patent file or records, but otherwise reserves all copyright rights whatsoever.

FIG. 1 is an oblique top view of a toilet tank and lid combination according to an embodiment of this disclosure;

FIG. 2 is an orthogonal front view of the toilet tank and lid combination of FIG. 1;

FIG. 3 is an orthogonal rear view of the toilet tank and lid combination of FIG. 1;

FIG. 4 is an orthogonal left view of the toilet tank and lid combination of FIG. 1;

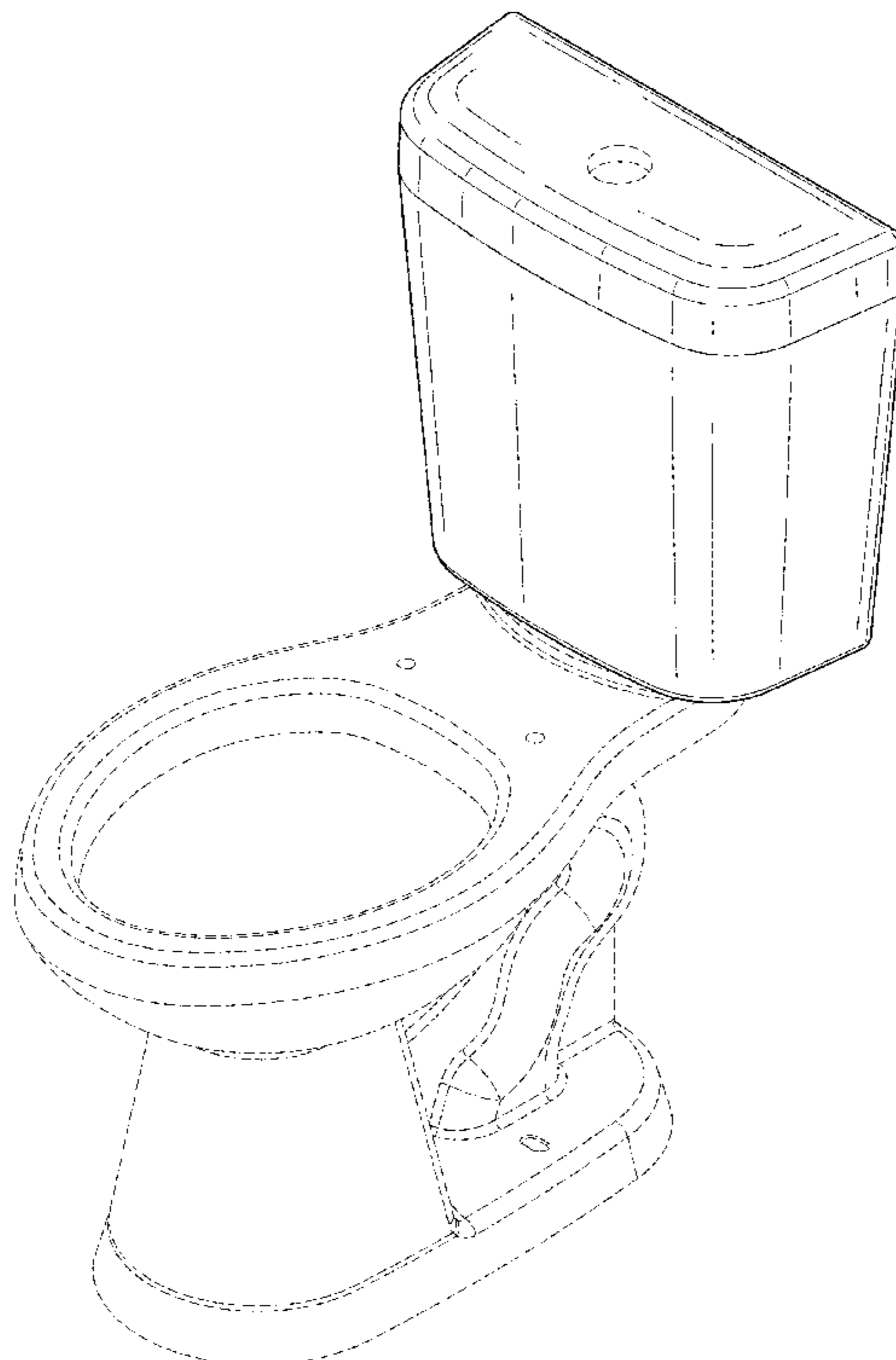
FIG. 5 is an orthogonal right view of the toilet tank and lid combination of FIG. 1;

FIG. 6 is an orthogonal top view of the toilet tank and lid combination of FIG. 1; and,

FIG. 7 is an orthogonal bottom view of the toilet tank and lid combination of FIG. 1.

The broken lines shown in the drawings are provided to show visible environmental structure and form no part of the claimed design.

1 Claim, 7 Drawing Sheets



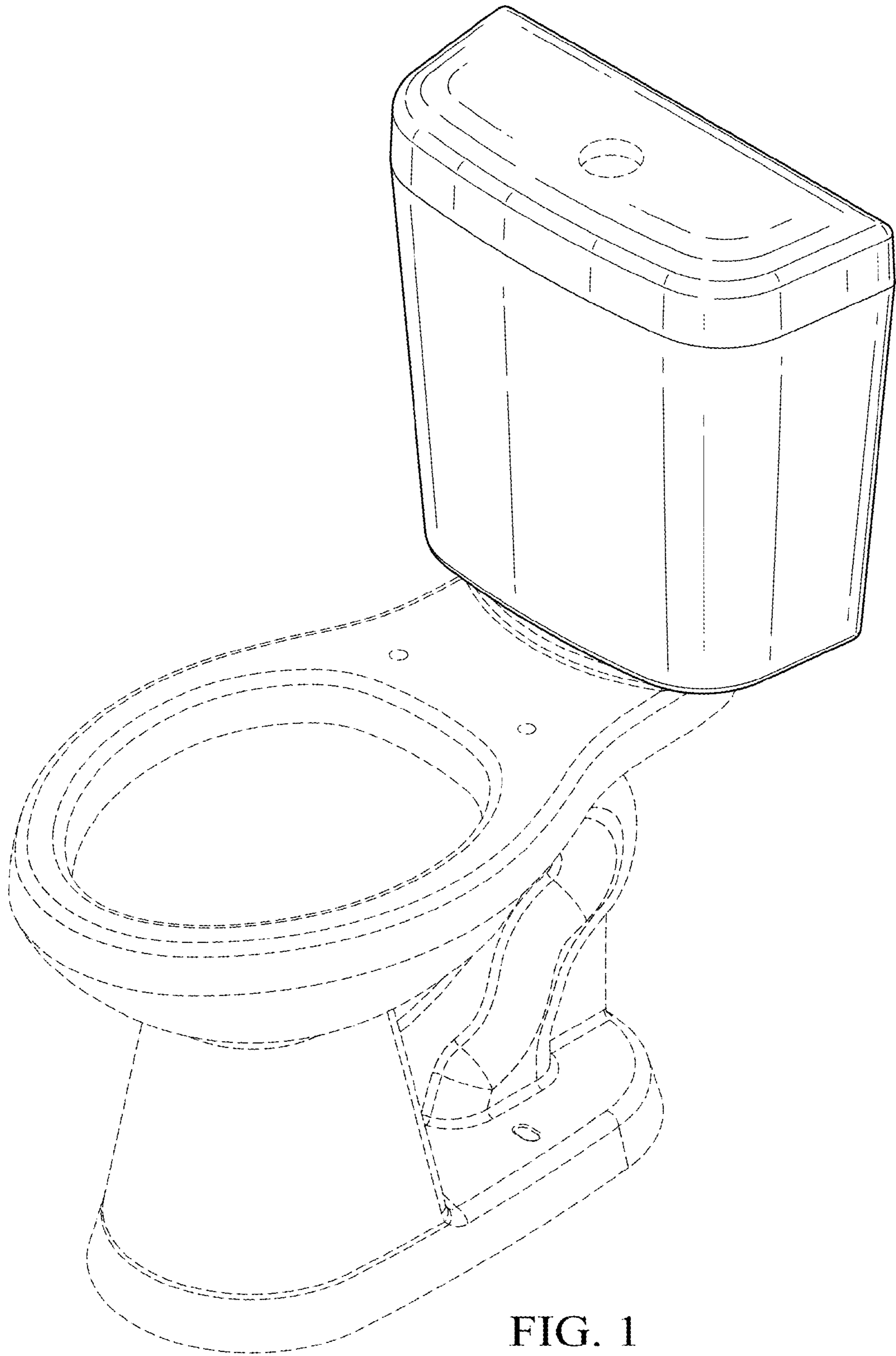


FIG. 1

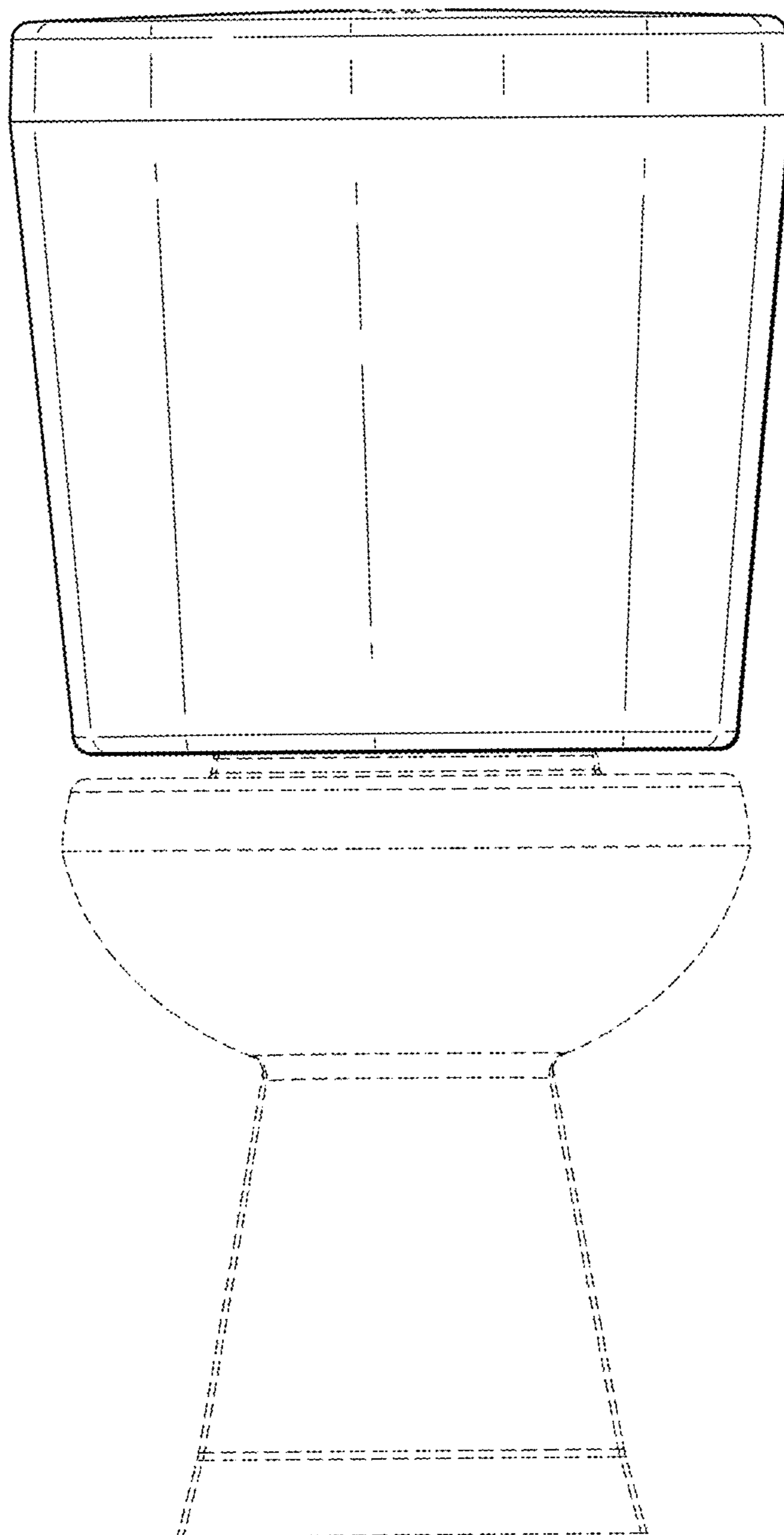


FIG. 2

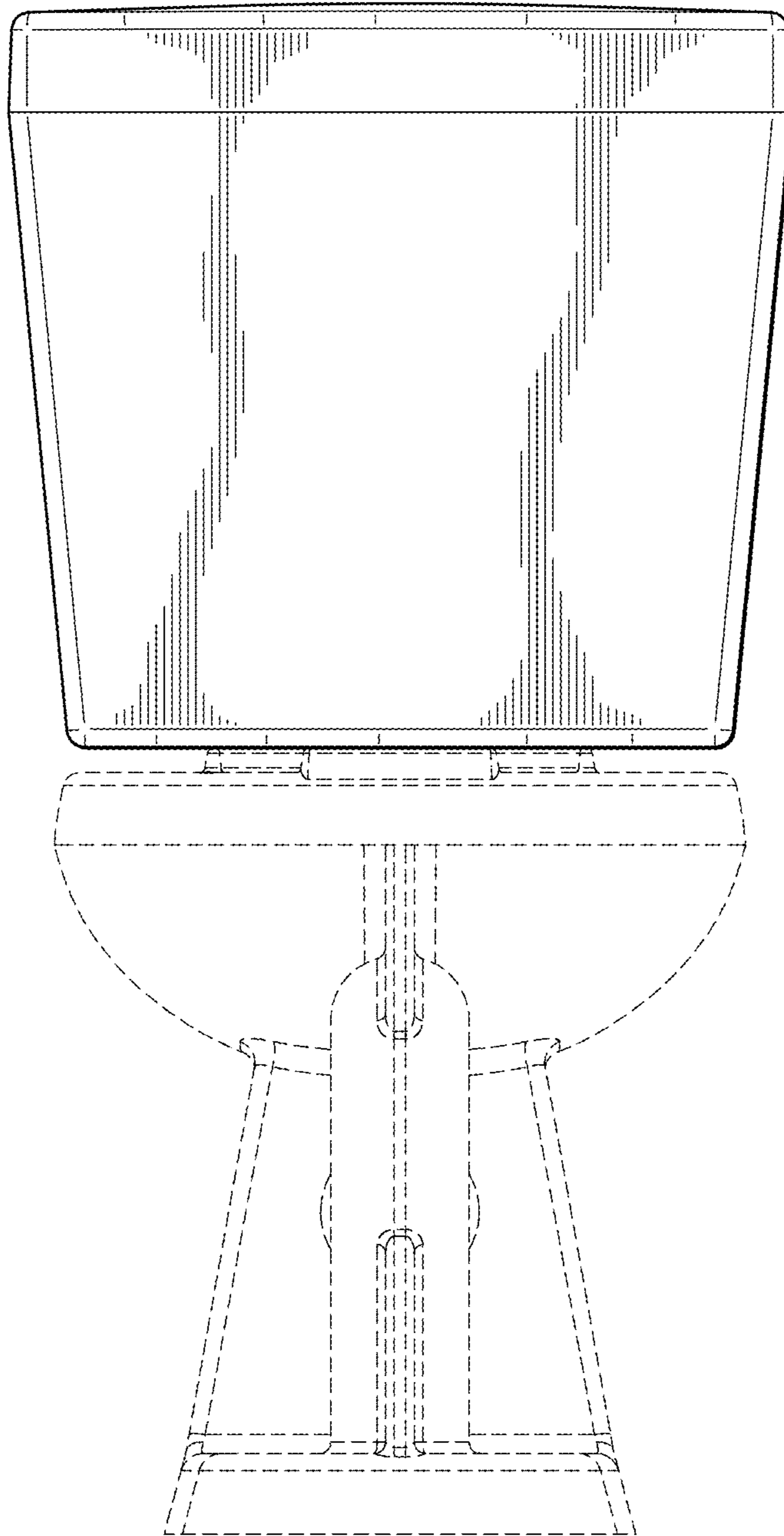


FIG. 3

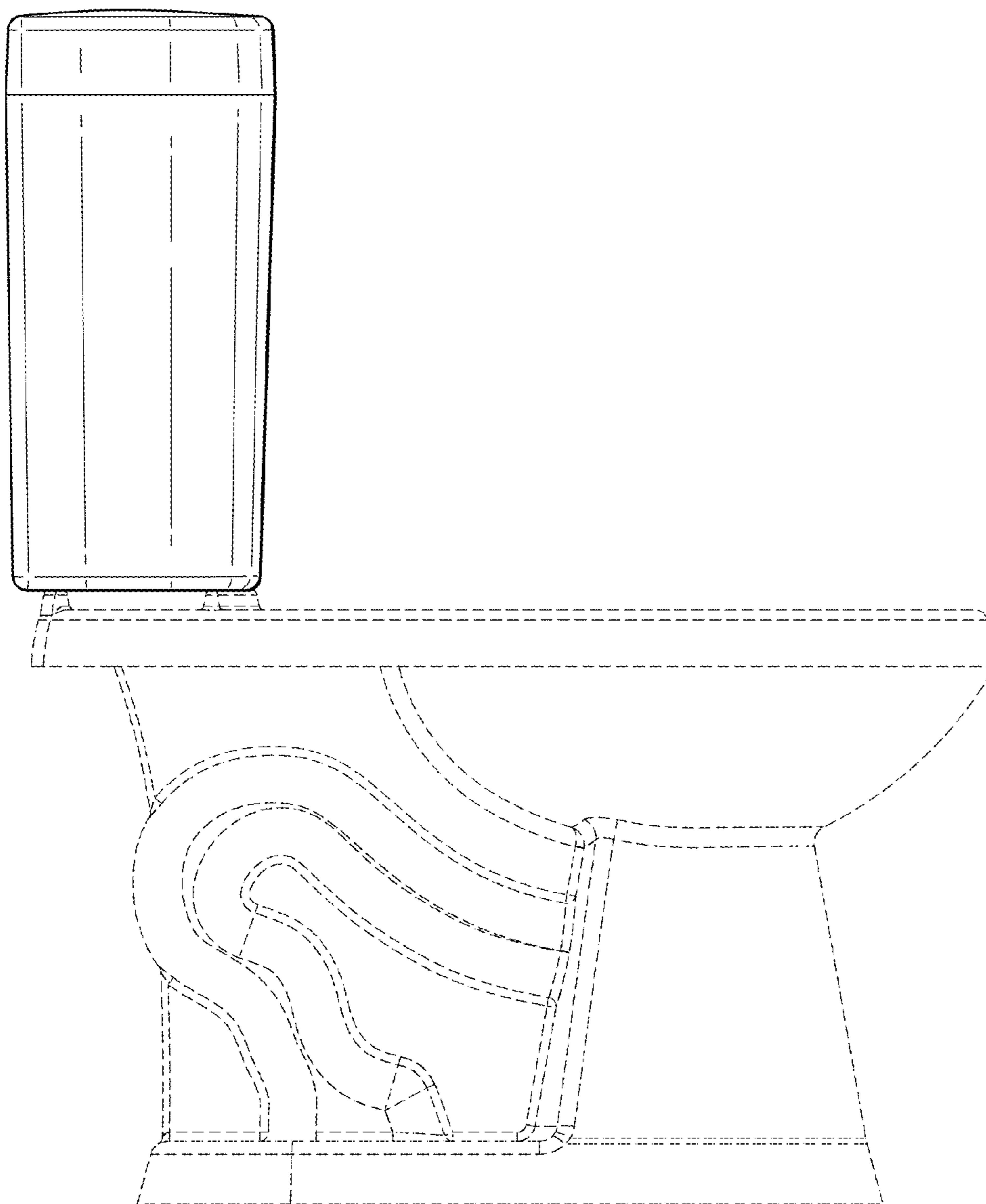


FIG. 4

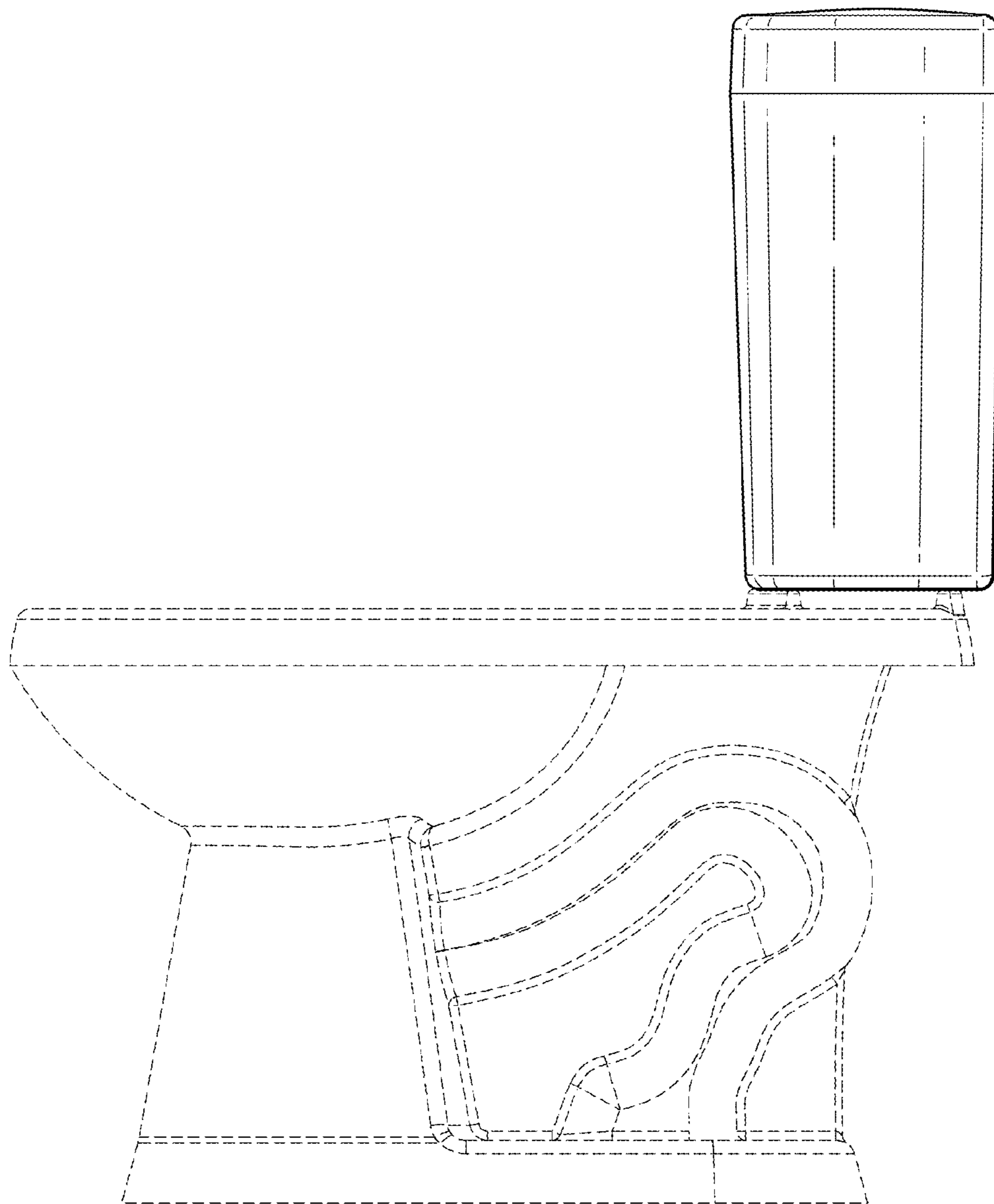


FIG. 5

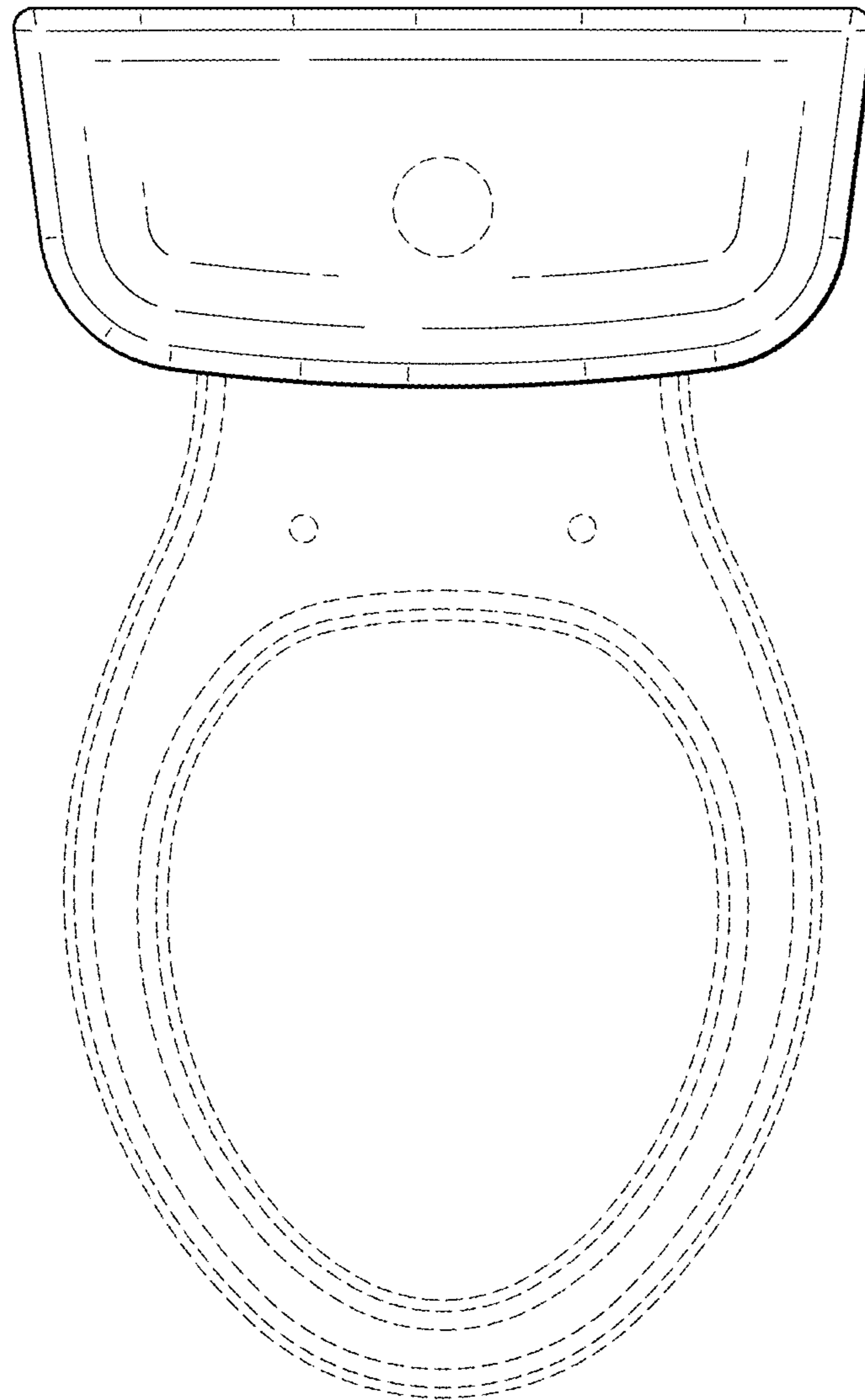


FIG. 6

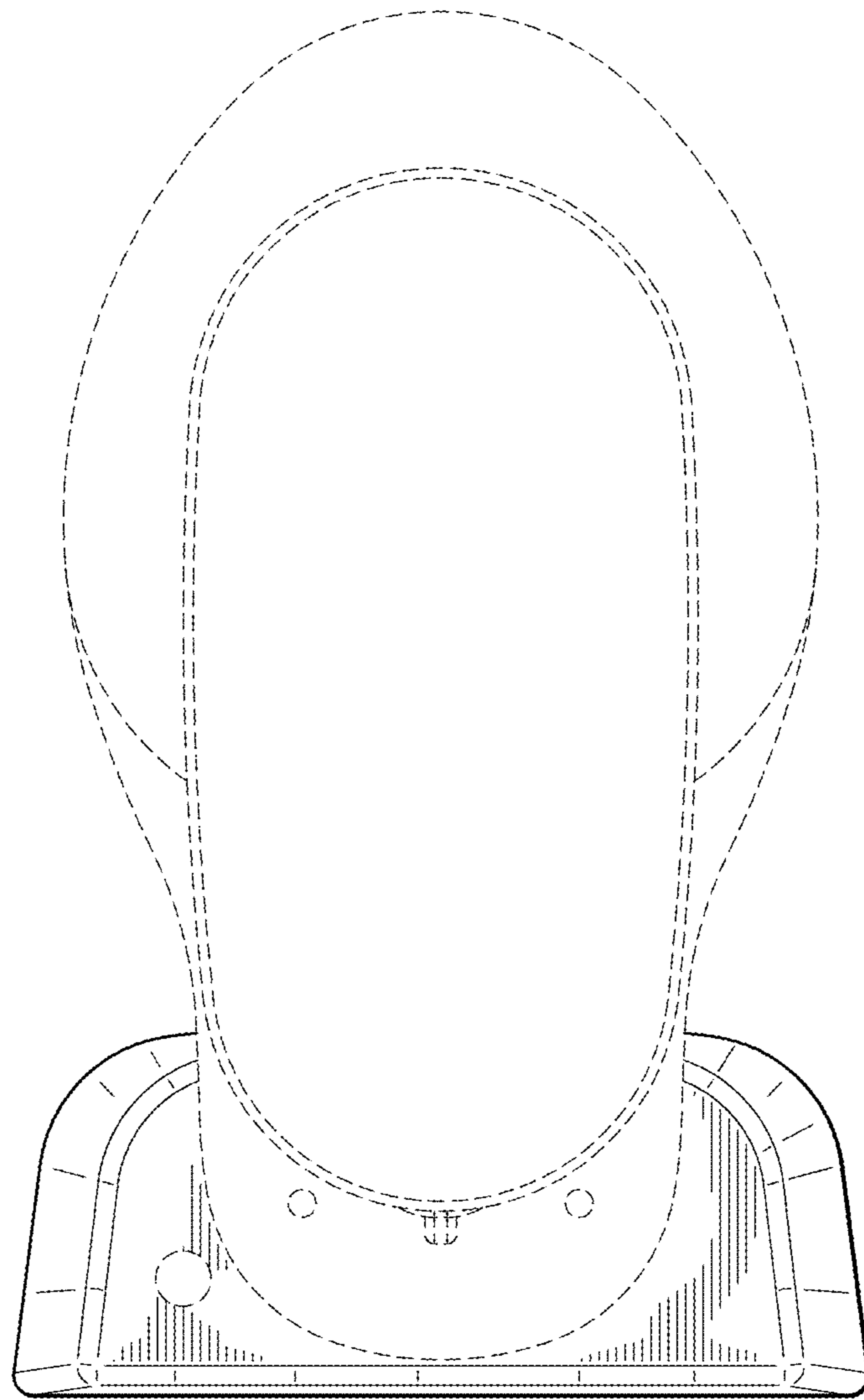


FIG. 7