



US00D687933S

(12) **United States Design Patent**
Kennedy

(10) **Patent No.:** **US D687,933 S**

(45) **Date of Patent:** **** Aug. 13, 2013**

(54) **TOILET BOWL**

(75) **Inventor:** **Kevin Kennedy**, Parsippany, NJ (US)

(73) **Assignee:** **Niagara Conservation Corp.**, Fort Worth, TX (US)

(**) **Term:** **14 Years**

(21) **Appl. No.:** **29/427,463**

(22) **Filed:** **Jul. 18, 2012**

(51) **LOC (9) Cl.** **23-02**

(52) **U.S. Cl.**
USPC **D23/295**

(58) **Field of Classification Search**
USPC D23/295, 301, 309; 4/300, 420
See application file for complete search history.

(56) **References Cited**

U.S. PATENT DOCUMENTS

D594,942 S * 6/2009 Slothower et al. D23/295
D672,019 S * 12/2012 Bucher D23/301

* cited by examiner

Primary Examiner — Robert Delehanty

(74) *Attorney, Agent, or Firm* — Conley Rose, P.C.; Alan Dawson Lightfoot

(57) **CLAIM**

The ornamental design for the toilet bowl, as shown and described.

DESCRIPTION

A portion of the disclosure of this patent document contains material which is subject to copyright protection. The copyright owner has no objection to the facsimile reproduction by any-one of the patent document or the patent disclosure, as it appears in the Patent and Trademark Office patent file or records, but otherwise reserves all copyright rights whatsoever.

FIG. 1 is an oblique top view of the toilet bowl according to an embodiment of this disclosure;

FIG. 2 is an orthogonal front view of the toilet bowl of FIG. 1;

FIG. 3 is an orthogonal rear view of the toilet bowl of FIG. 1;

FIG. 4 is an orthogonal left view of the toilet bowl of FIG. 1;

FIG. 5 is an orthogonal right view of the toilet bowl of FIG. 1;

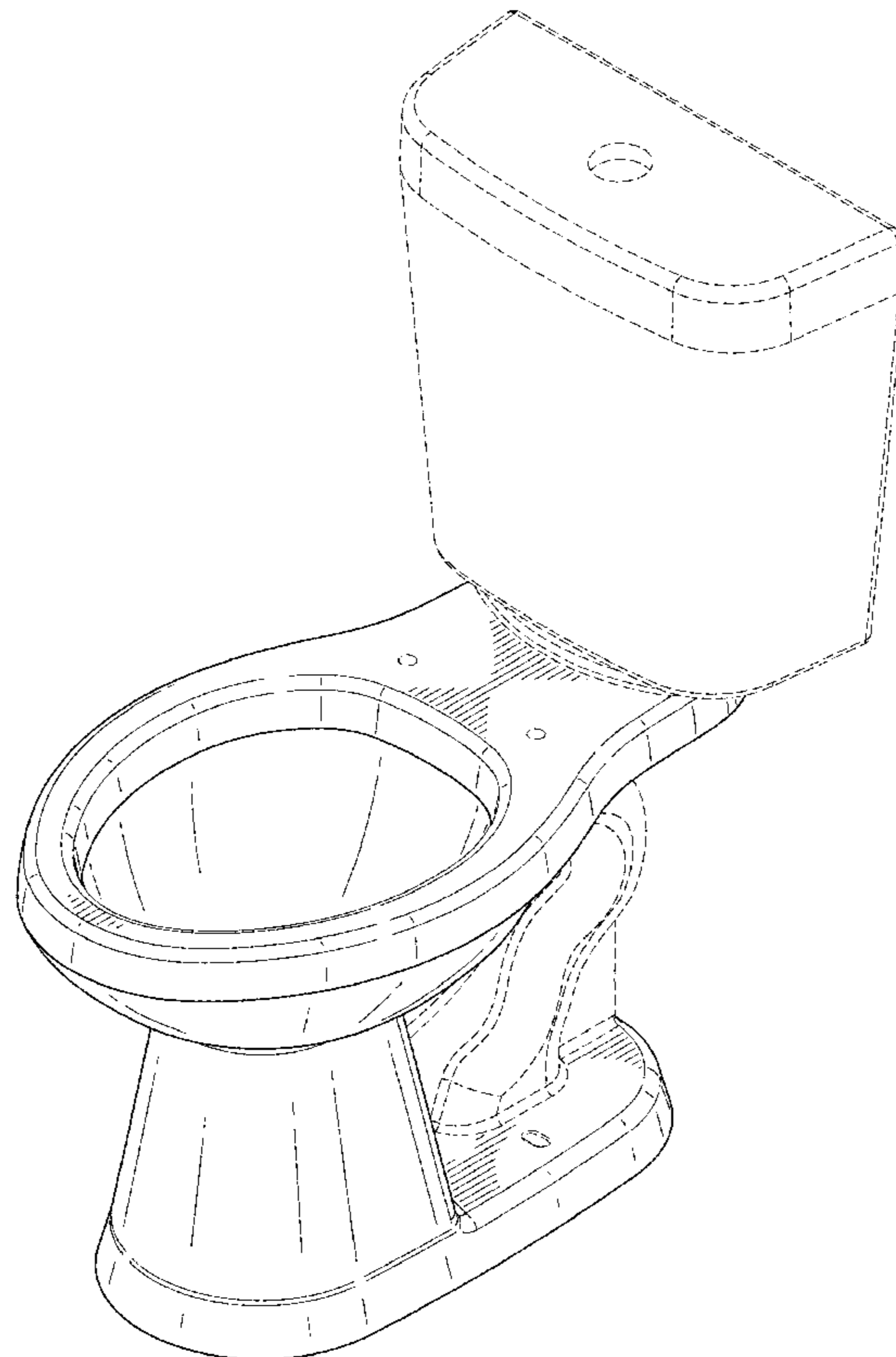
FIG. 6 is an orthogonal top view of the toilet bowl of FIG. 1;

and,

FIG. 7 is an orthogonal bottom view of the toilet bowl of FIG. 1.

The broken lines shown in the drawings are provided to show visible environmental structure and form no part of the claimed design.

1 Claim, 7 Drawing Sheets



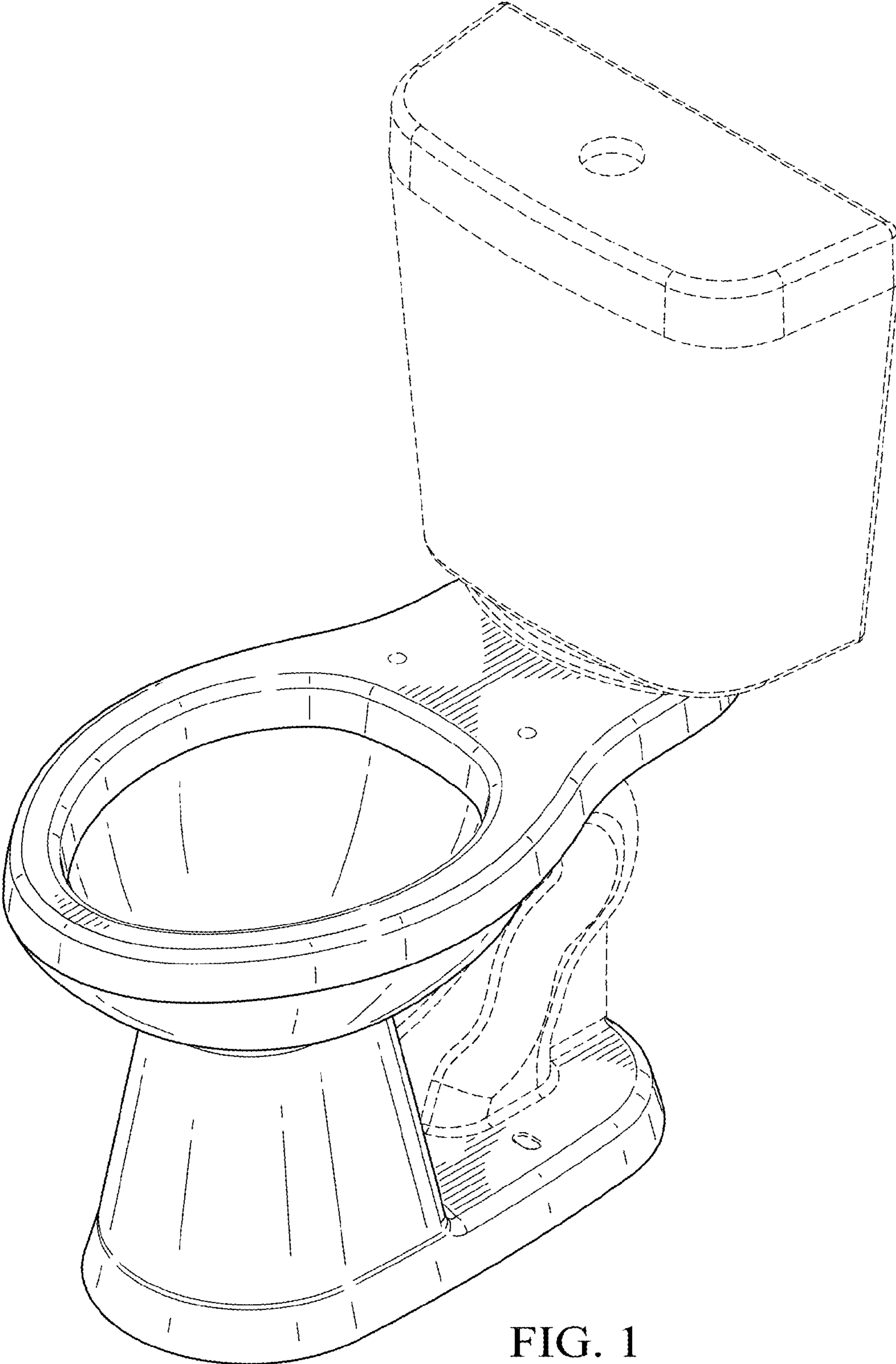


FIG. 1

© 2012 Niagara Conservation Corp.

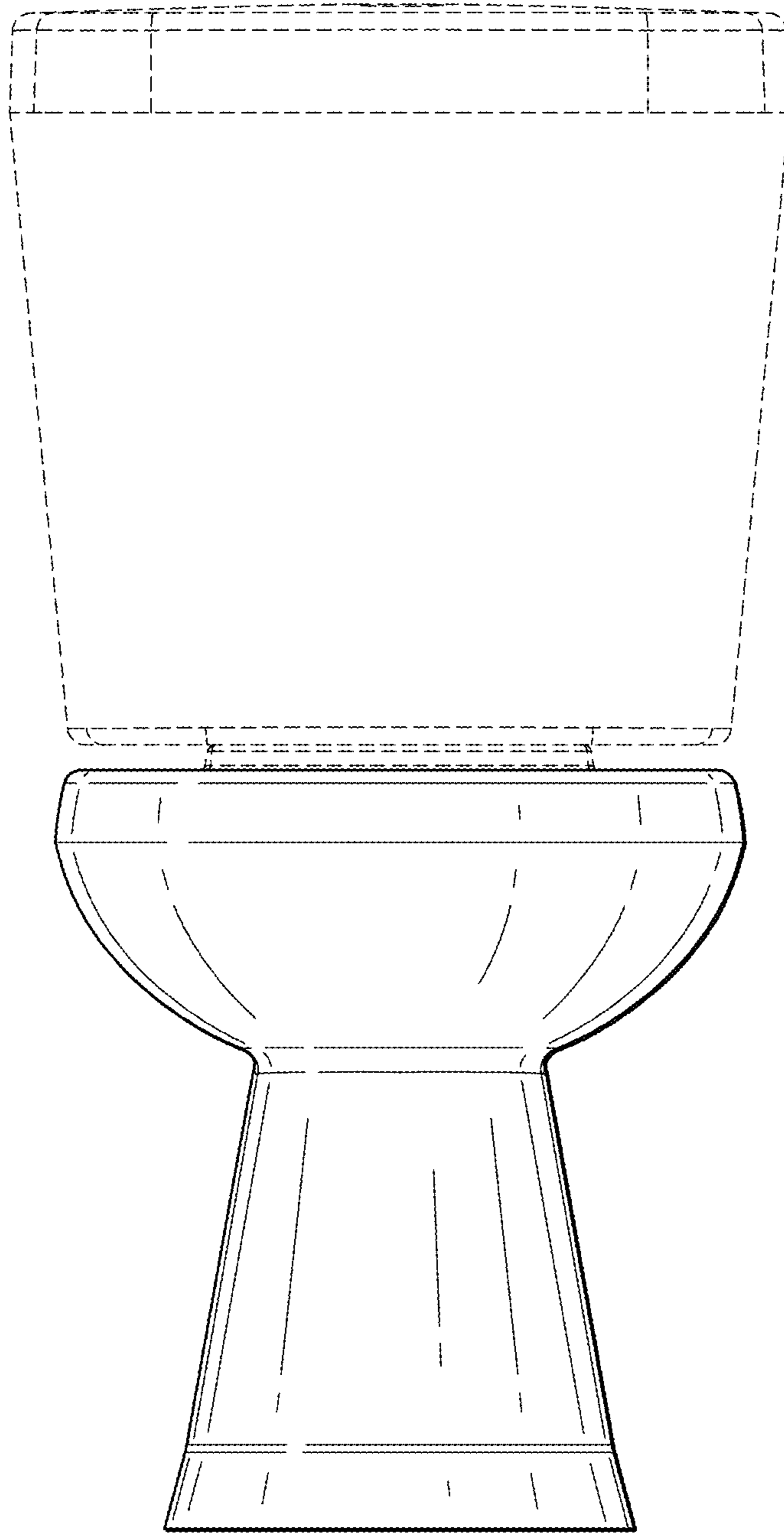


FIG. 2

© 2012 Niagara Conservation Corp.

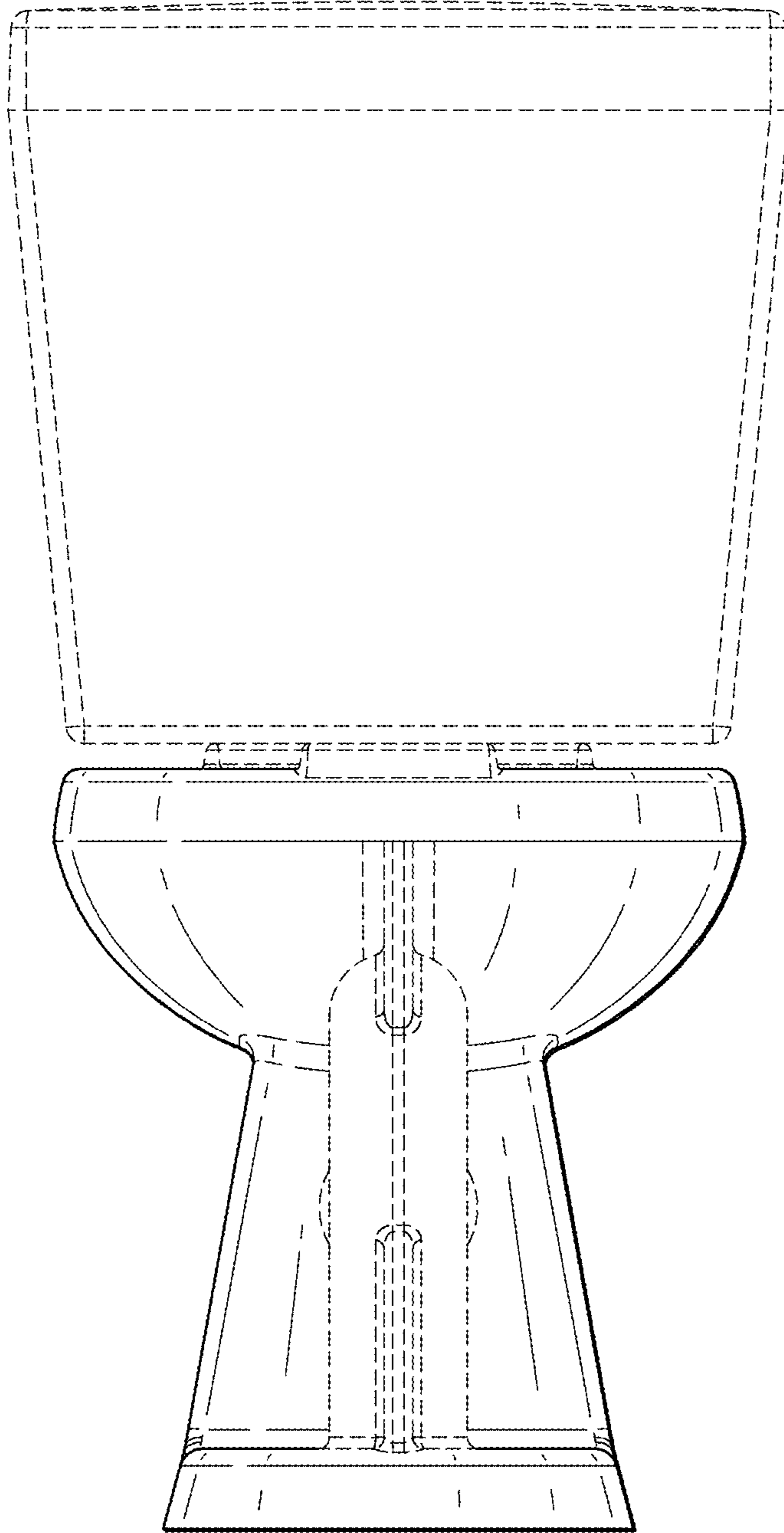


FIG. 3

© 2012 Niagara Conservation Corp.

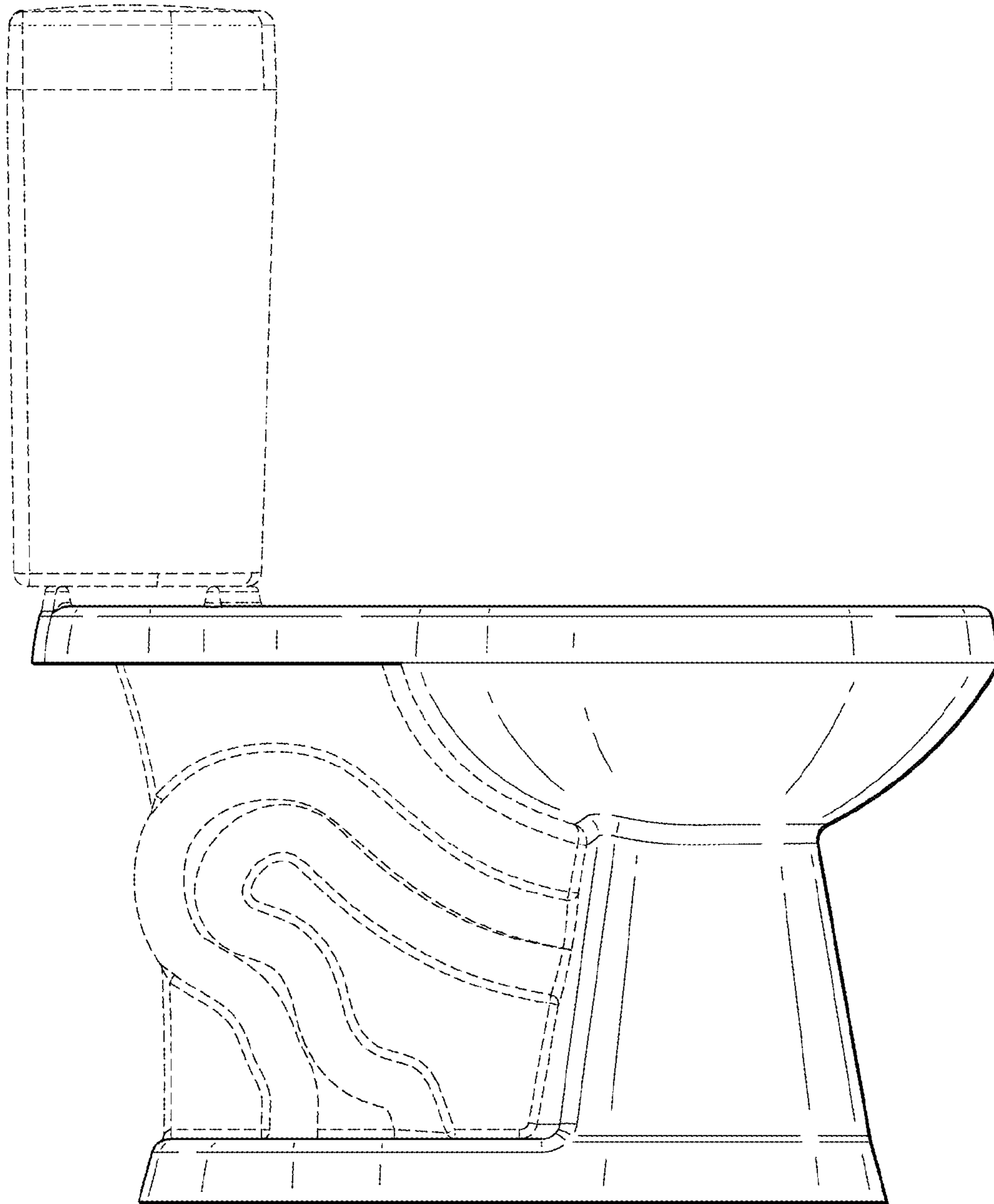


FIG. 4

© 2012 Niagara Conservation Corp.

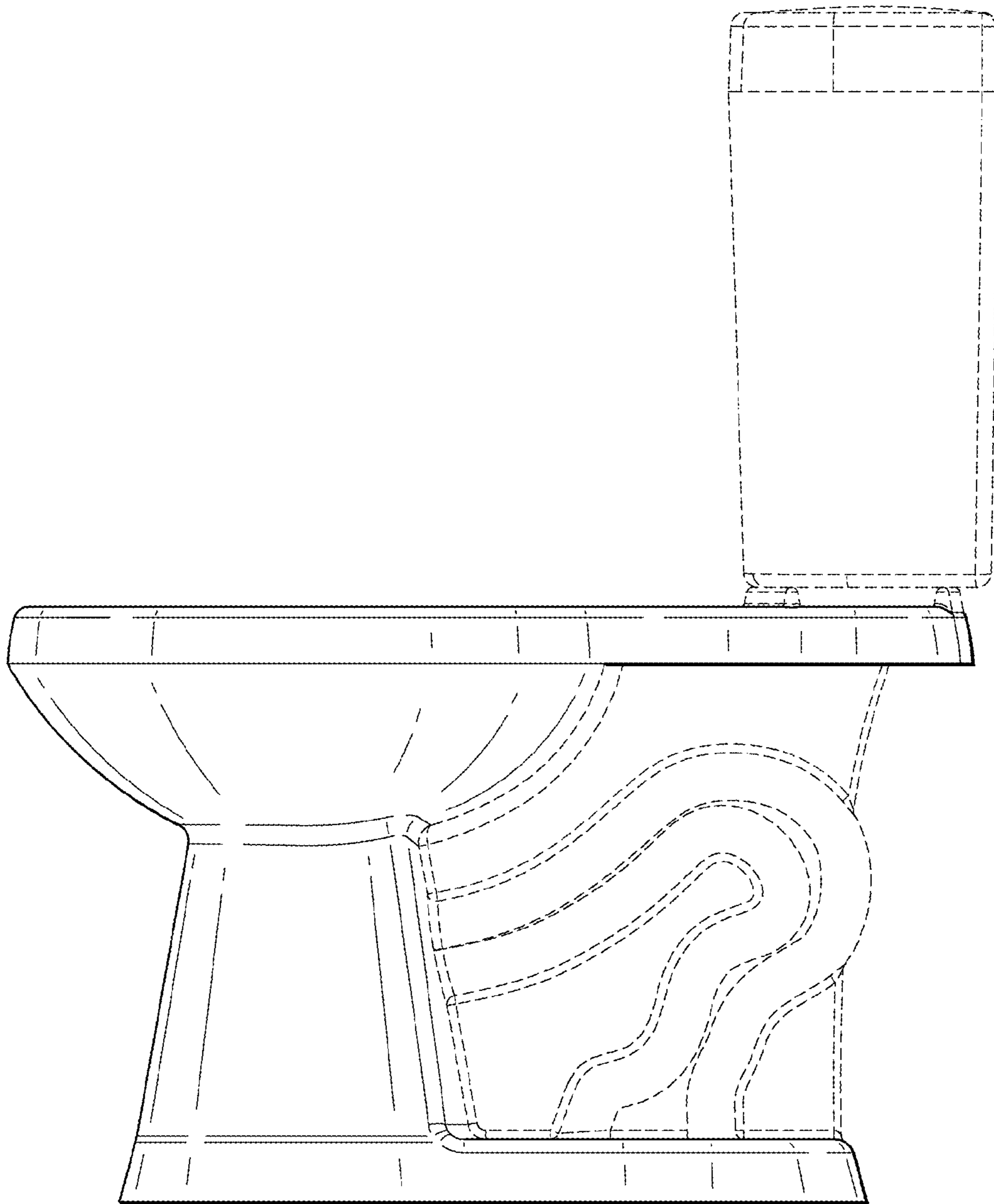


FIG. 5

© 2012 Niagara Conservation Corp.

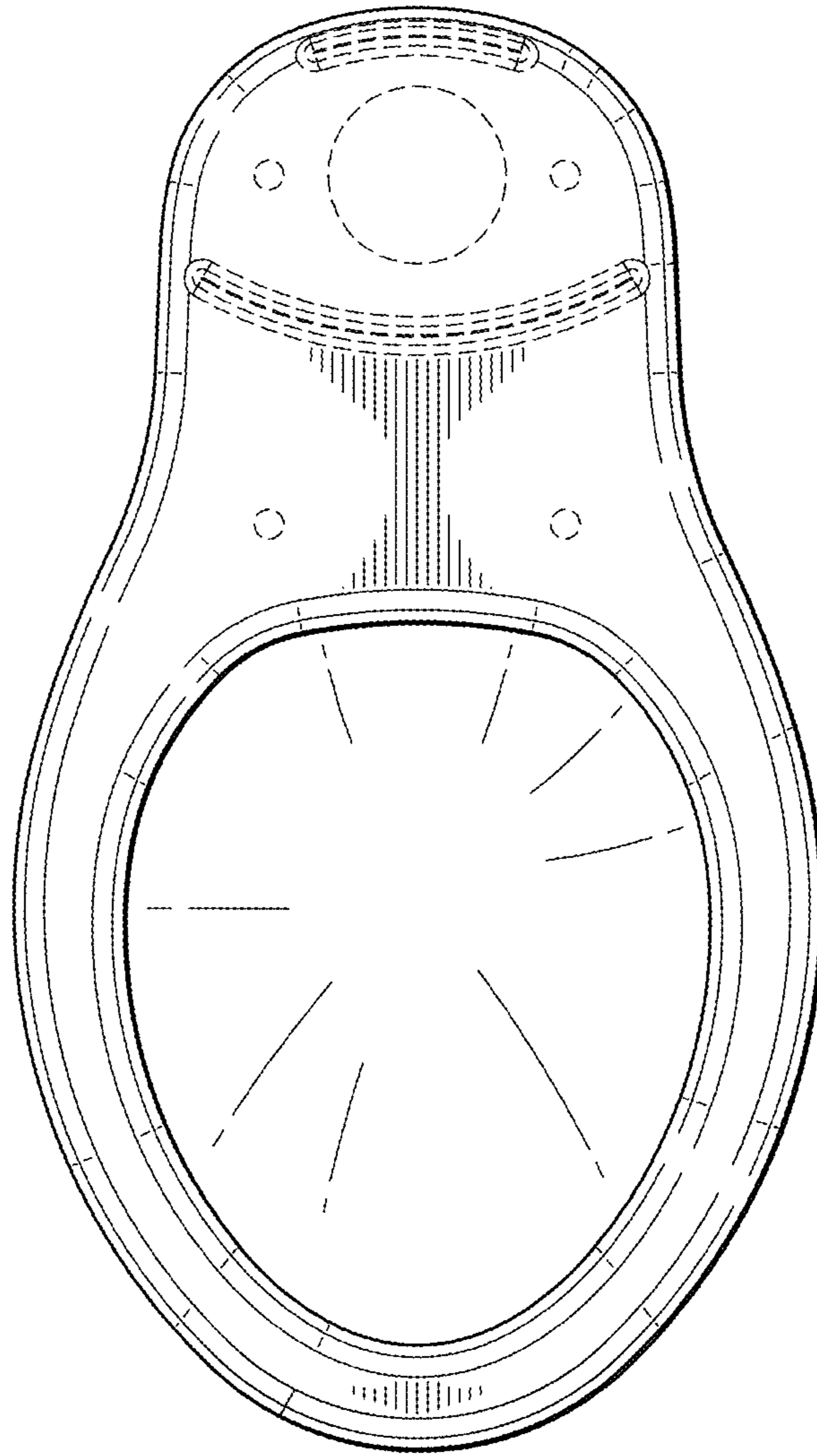


FIG. 6

© 2012 Niagara Conservation Corp.

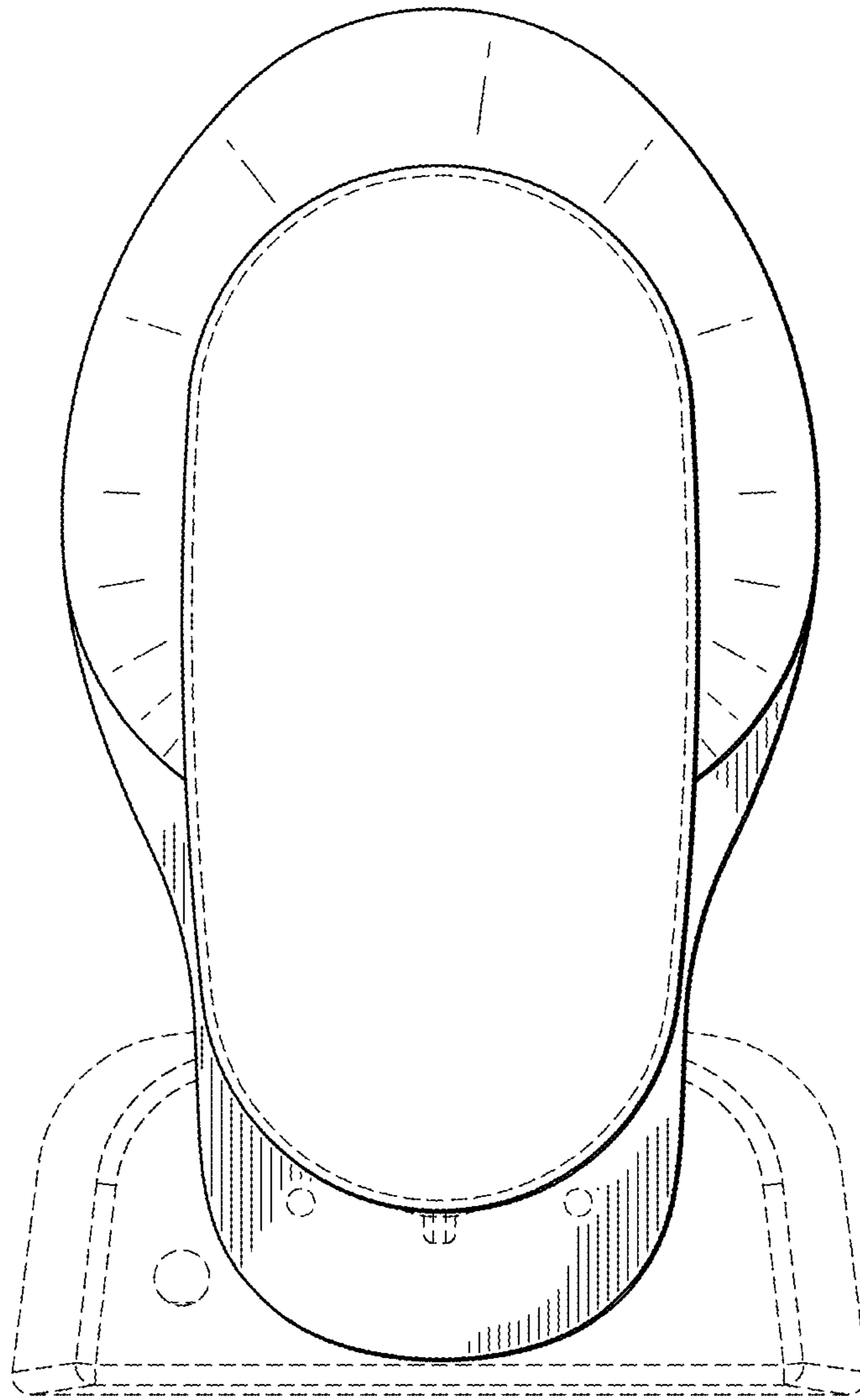


FIG. 7

© 2012 Niagara Conservation Corp.