



US00D687930S

(12) **United States Design Patent**
Sacchetti

(10) **Patent No.:** **US D687,930 S**

(45) **Date of Patent:** **** Aug. 13, 2013**

(54) **FLOW ACTUATED VALVE**

(71) Applicant: **Alcor Scientific, Inc.**, Warwick, RI (US)

(72) Inventor: **Peter Sacchetti**, Attleboro, MA (US)

(73) Assignee: **Alcor Scientific, Inc.**, Smithfield, RI (US)

(**) Term: **14 Years**

(21) Appl. No.: **29/444,266**

(22) Filed: **Jan. 29, 2013**

Related U.S. Application Data

(63) Continuation of application No. 13/312,947, filed on Dec. 6, 2011, now Pat. No. 8,413,673.

(51) **LOC (9) Cl.** **23-01**

(52) **U.S. Cl.**
USPC **D23/235**

(58) **Field of Classification Search**

USPC D23/233-237; 210/109, 116, 119, 210/123, 128, 170.08, 256, 532.2; 137/1, 137/107, 219, 220, 301, 397, 624.13, 641.18
See application file for complete search history.

(56) **References Cited**

U.S. PATENT DOCUMENTS

1,856,350	A	5/1932	Metcalf	
2,318,721	A *	5/1943	Siver	137/454.5
2,387,215	A	10/1945	Fawkes	
3,554,224	A	1/1971	Kirk et al.	
3,685,532	A *	8/1972	Kasschau	137/107
3,720,221	A *	3/1973	Hufeld et al.	137/112
3,853,145	A	12/1974	Jude	

4,016,897	A *	4/1977	Asioli	137/107
4,116,216	A	9/1978	Rosenberg	
4,173,233	A *	11/1979	Snyder	137/102
4,178,963	A	12/1979	Riefler et al.	
4,221,238	A	9/1980	Madsen	
D287,044	S *	12/1986	Hughes	D23/248
4,632,361	A	12/1986	Callison	
4,729,406	A	3/1988	Frentzel	
5,022,426	A	6/1991	Fischer	
6,622,933	B1	9/2003	Young et al.	
8,137,541	B2	3/2012	Zook	
2009/0199915	A1	8/2009	Novacek et al.	
2009/0229692	A1	9/2009	Rohwer et al.	

* cited by examiner

Primary Examiner — Cynthia Ramirez

(74) *Attorney, Agent, or Firm* — Barlow, Josephs & Holmes, Ltd.

(57) **CLAIM**

The ornamental design for a flow actuated valve, as shown and described.

DESCRIPTION

FIG. 1 is a front view of the flow actuated valve in accordance with the invention;

FIG. 2 is a perspective view of the flow actuated valve of FIG. 1;

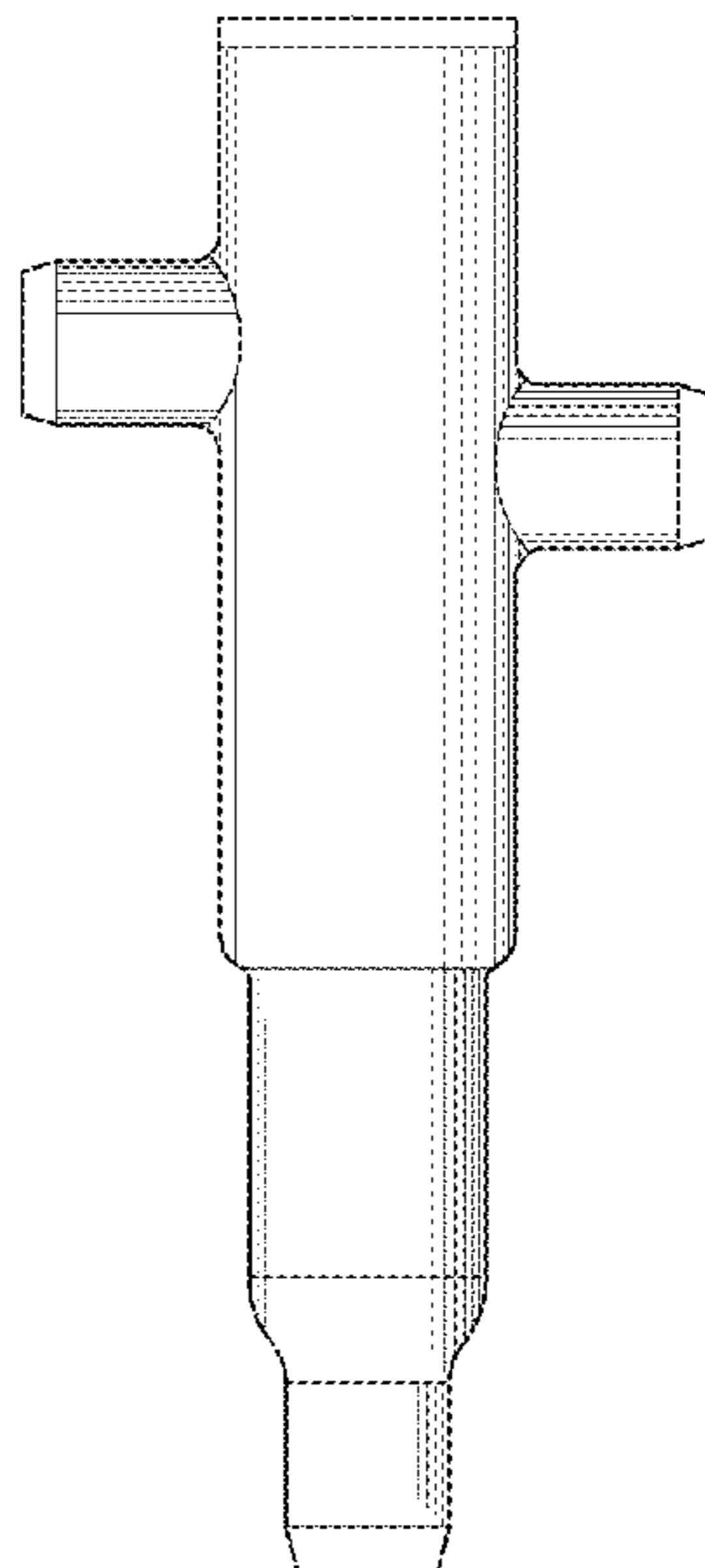
FIG. 3 is a left side view of the flow actuated valve of FIG. 1;

FIG. 4 is a right side view of the flow actuated valve of FIG. 1;

FIG. 5 is a front view of the flow actuated valve of FIG. 1 without the valve body;

FIG. 6 is an exploded view of FIG. 5; and, FIG. 7 is an exploded view of an actuator member of FIG. 6.

1 Claim, 7 Drawing Sheets



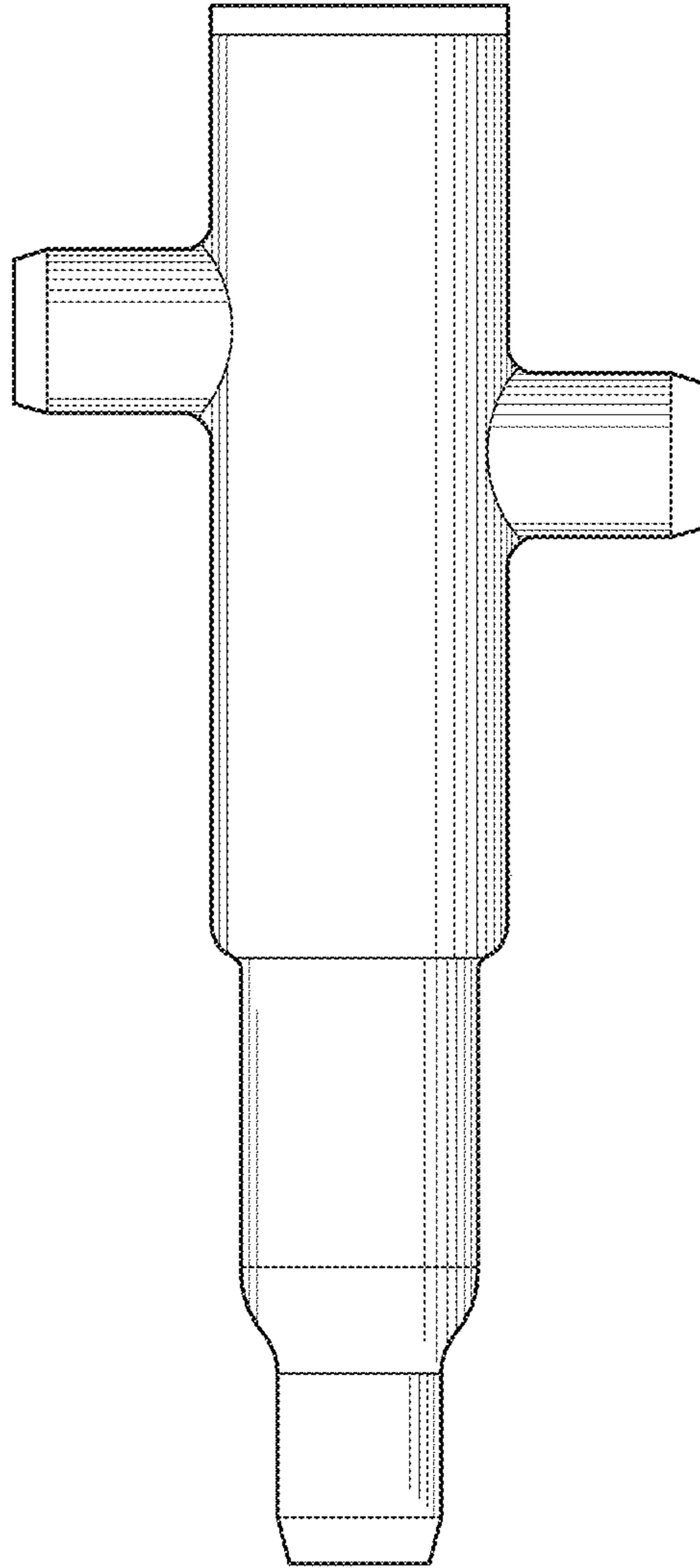


FIG. 1

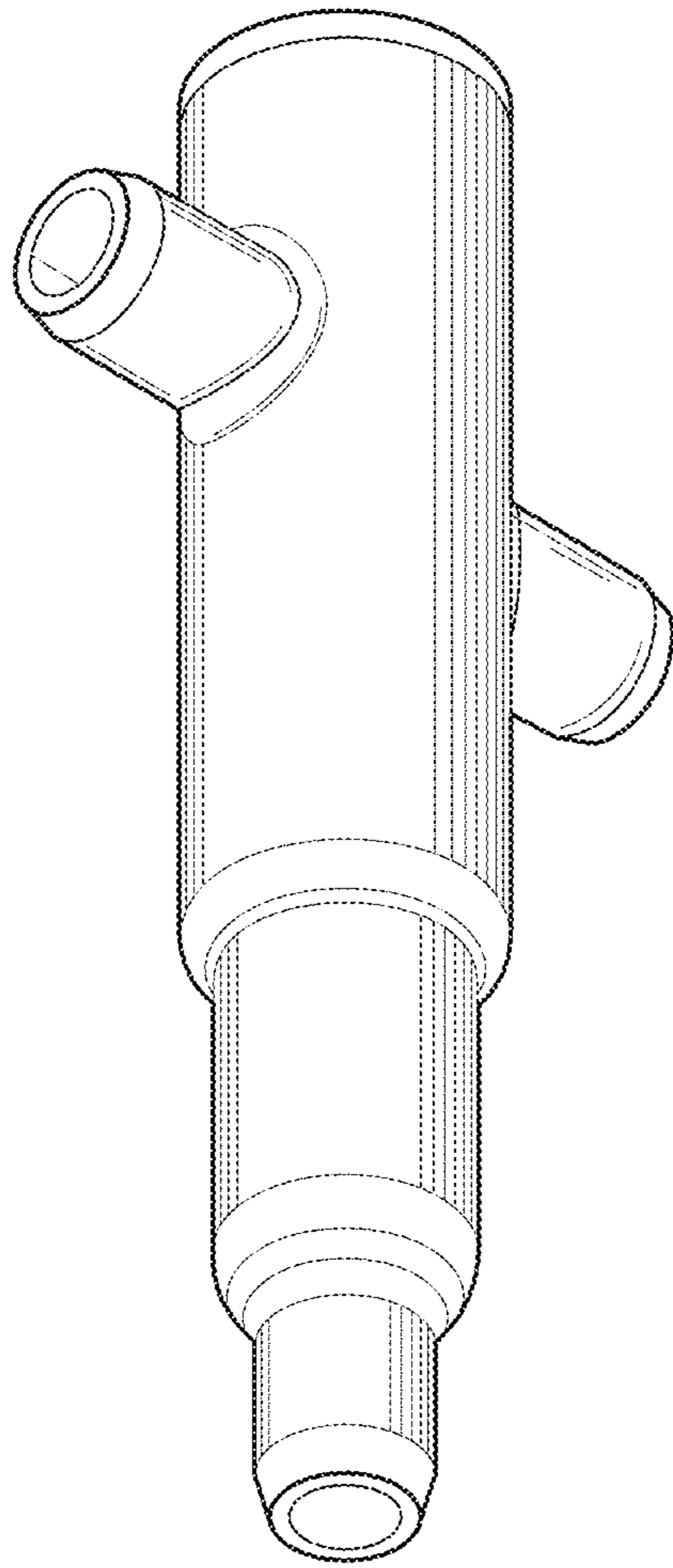


FIG. 2

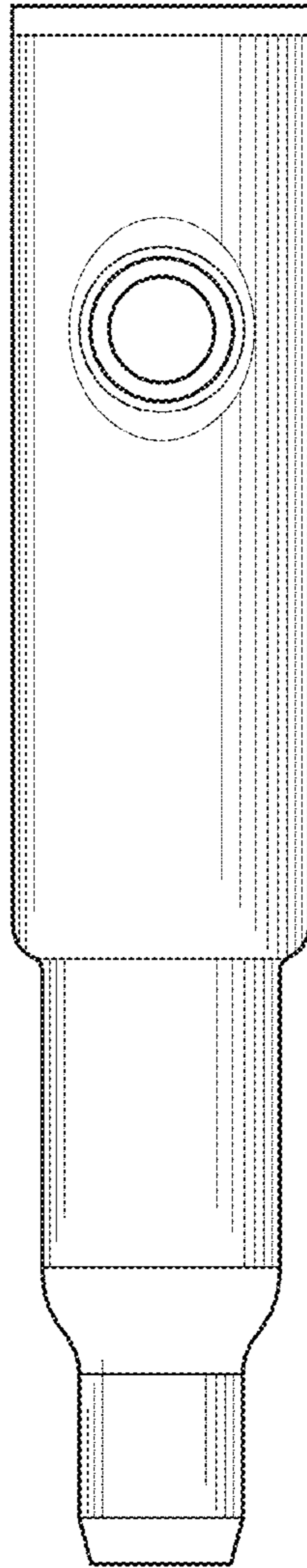


FIG. 3

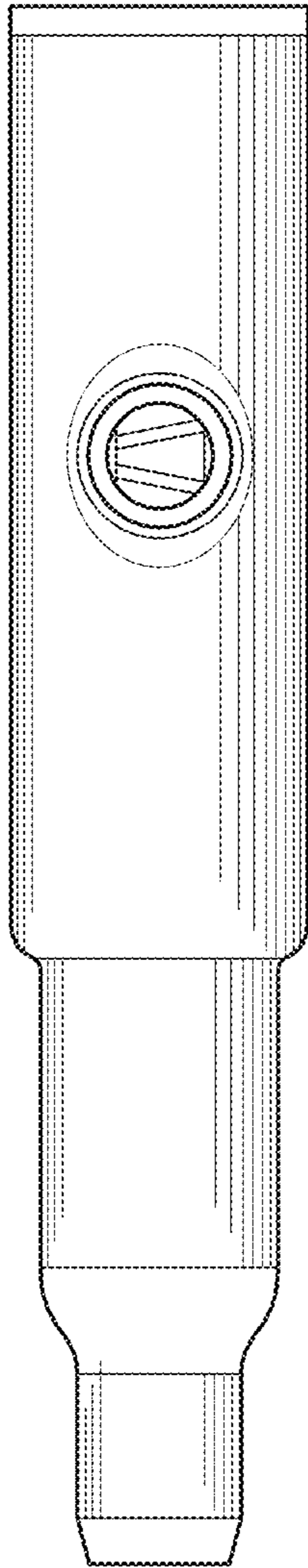


FIG. 4

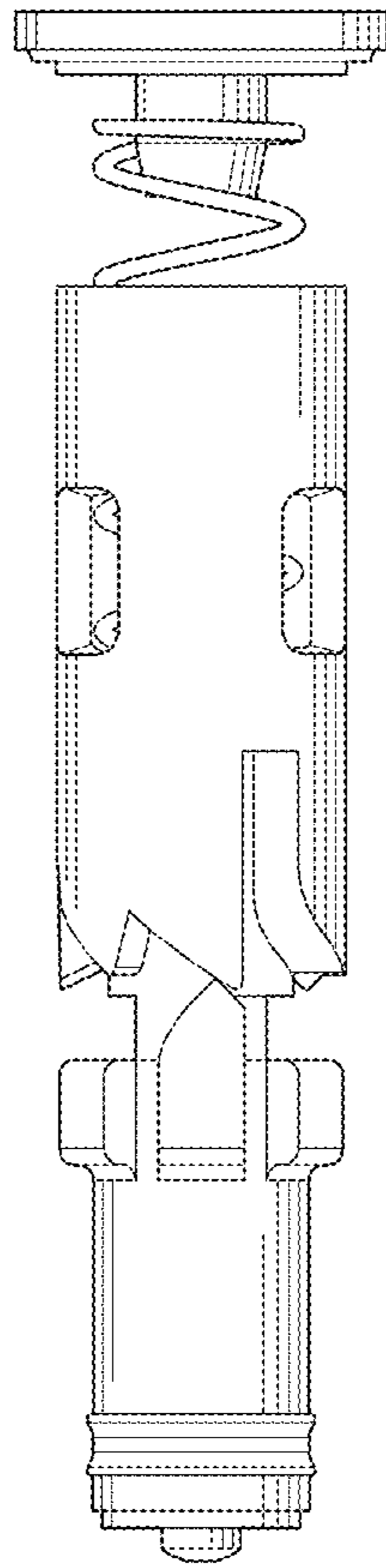


FIG. 5

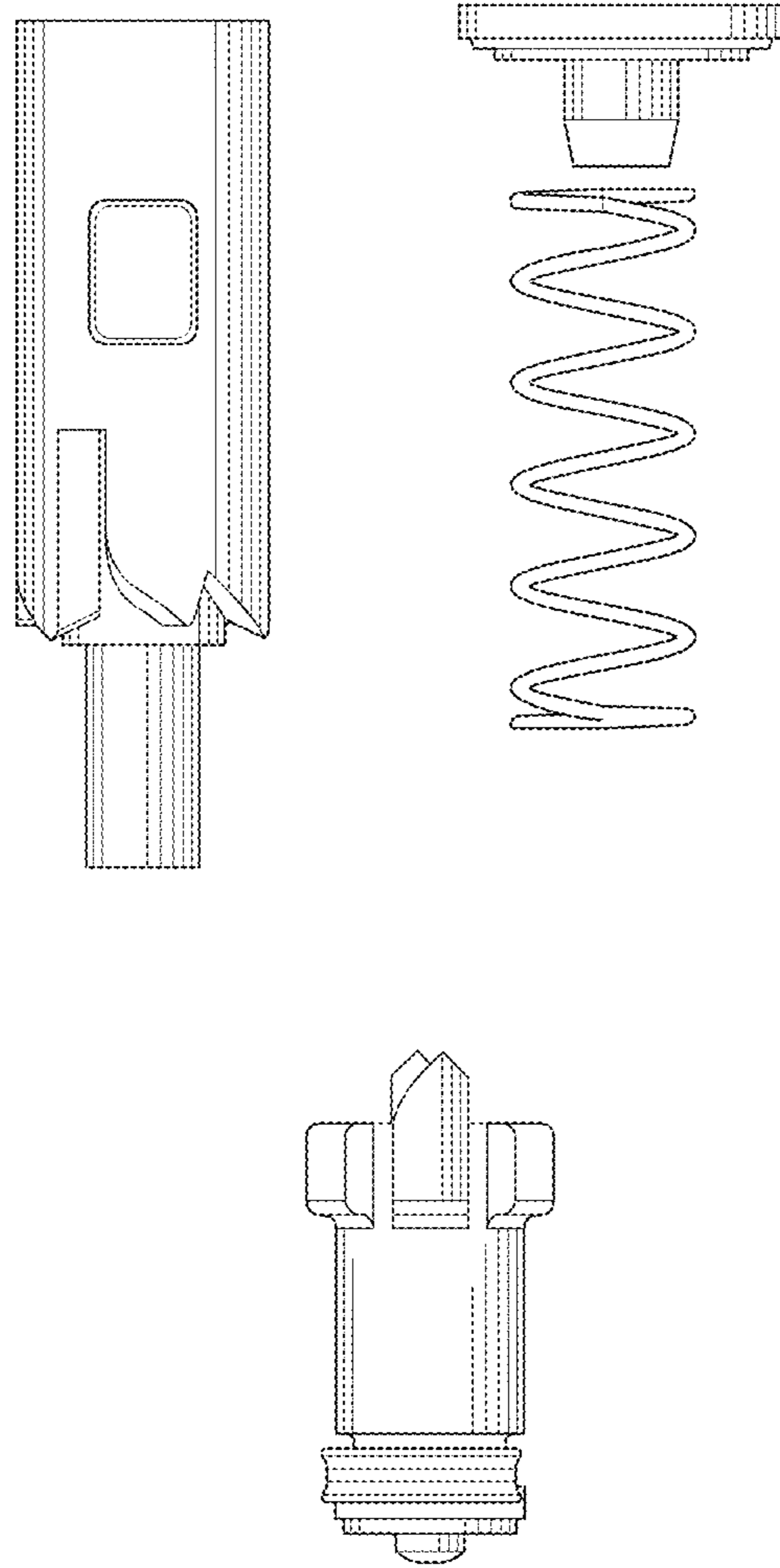


FIG. 6

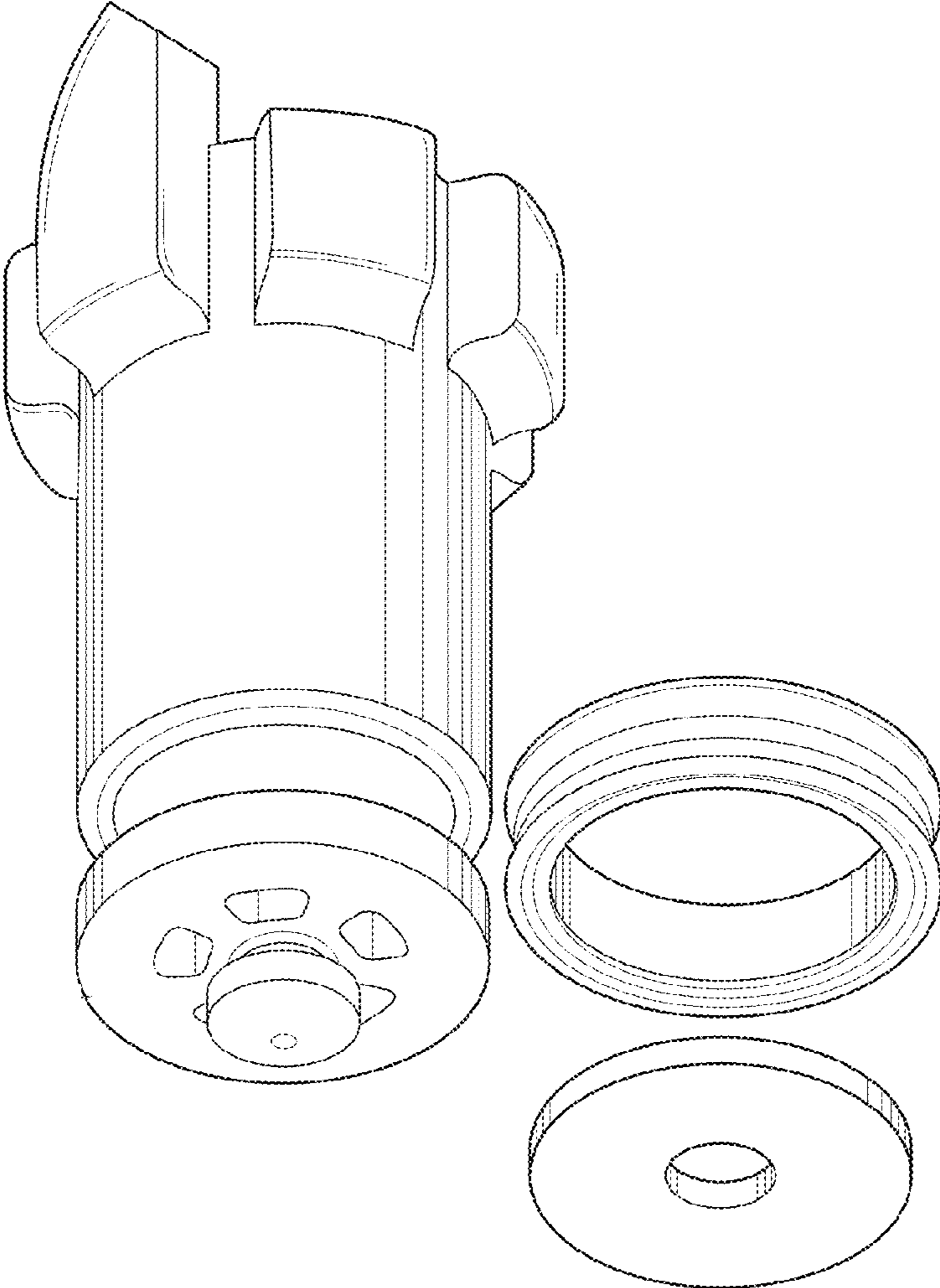


FIG. 7