



US00D687928S

(12) **United States Design Patent**
Asaba

(10) **Patent No.:** **US D687,928 S**
(45) **Date of Patent:** **** Aug. 13, 2013**

(54) **FLUID PRESSURE CYLINDER WITH PLATE**

FOREIGN PATENT DOCUMENTS

(71) Applicant: **SMC Kabushiki Kaisha**, Tokyo (JP)

JP D0933381 S 8/1995
JP D 1031537 2/1999

(72) Inventor: **Tsuyoshi Asaba**, Abiko (JP)

OTHER PUBLICATIONS

(73) Assignee: **SMC Kabushiki Kaisha**, Tokyo (JP)

U.S. Appl. No. 29/385,489; Inventor: Tsuyoshi Asaba; Title: "Fluid Pressure Cylinder With Plate"; filed Feb. 15, 2011.
U.S. Appl. No. 29/446,267; Inventor: Tsuyoshi Asaba; Title: "Fluid Pressure Cylinder With Plate"; filed Feb. 21, 2013.
U.S. Appl. No. 29/446,275; Inventor: Tsuyoshi Asaba; Title: "Fluid Pressure Cylinder With Plate"; filed Feb. 21, 2013.
U.S. Appl. No. 29/385,495; Inventor: Tsuyoshi Asaba; Title: "Fluid Pressure Cylinder With Plate"; filed Feb. 15, 2011.
Japanese Office Action dated Oct. 18, 2011 (and English translation thereof) in counterpart Japanese Application No. 2011-000996.
Japanese Office Action dated Oct. 18, 2011 (and English translation thereof) in Japanese Application No. 2011-000997, which is a Japanese counterpart of related U.S. Appl. No. 29/385,495.

(**) Term: **14 Years**

(21) Appl. No.: **29/446,269**

(22) Filed: **Feb. 21, 2013**

Related U.S. Application Data

(62) Division of application No. 29/385,493, filed on Feb. 15, 2011.

(51) **LOC (9) Cl.** **23-01**

(52) **U.S. Cl.**
USPC **D23/233; D10/85**

(58) **Field of Classification Search**
USPC D23/233-237; D10/85; 92/165 R,
92/166; 137/884, 885; 251/129.01, 129.15
See application file for complete search history.

Primary Examiner — Robin V Webster

(74) *Attorney, Agent, or Firm* — Holtz, Holtz, Goodman & Chick, P.C.

(57) **CLAIM**

The ornamental design for a fluid pressure cylinder with plate, as shown and described.

DESCRIPTION

(56) **References Cited**

U.S. PATENT DOCUMENTS

- 5,555,789 A 9/1996 Rosengren et al.
- D386,431 S 11/1997 Nagai et al.
- D386,702 S 11/1997 Nagai et al.
- D439,533 S 3/2001 Wakasugi et al.
- D461,733 S 8/2002 Iida
- D556,861 S 12/2007 Yokohari
- D606,629 S 12/2009 Tokumoto
- 7,836,816 B2 11/2010 Tokumoto
- D636,460 S 4/2011 Hayashi
- D660,191 S 5/2012 Asaba
- D667,532 S 9/2012 Asaba

FIG. 1 is a top, rear and left-side perspective view of a fluid pressure cylinder with plate showing an embodiment of my new design;
FIG. 2 is a bottom, rear and right-side perspective view thereof;
FIG. 3 is a front view thereof;
FIG. 4 is a rear view thereof;
FIG. 5 is a top plan view thereof;
FIG. 6 is a bottom plan view thereof;
FIG. 7 is a left side view thereof; and,
FIG. 8 is a right side view thereof.

1 Claim, 8 Drawing Sheets

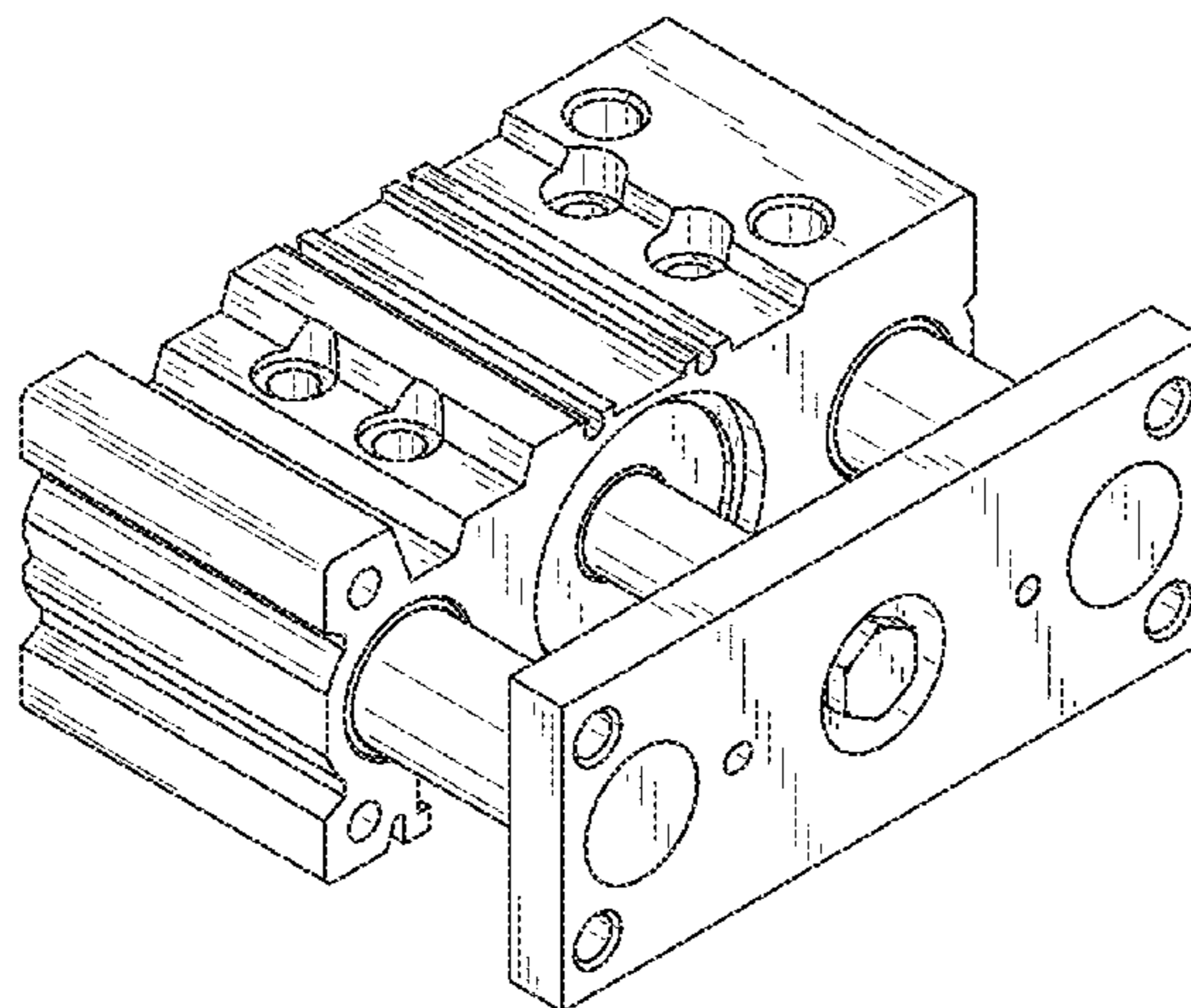


FIG. 1

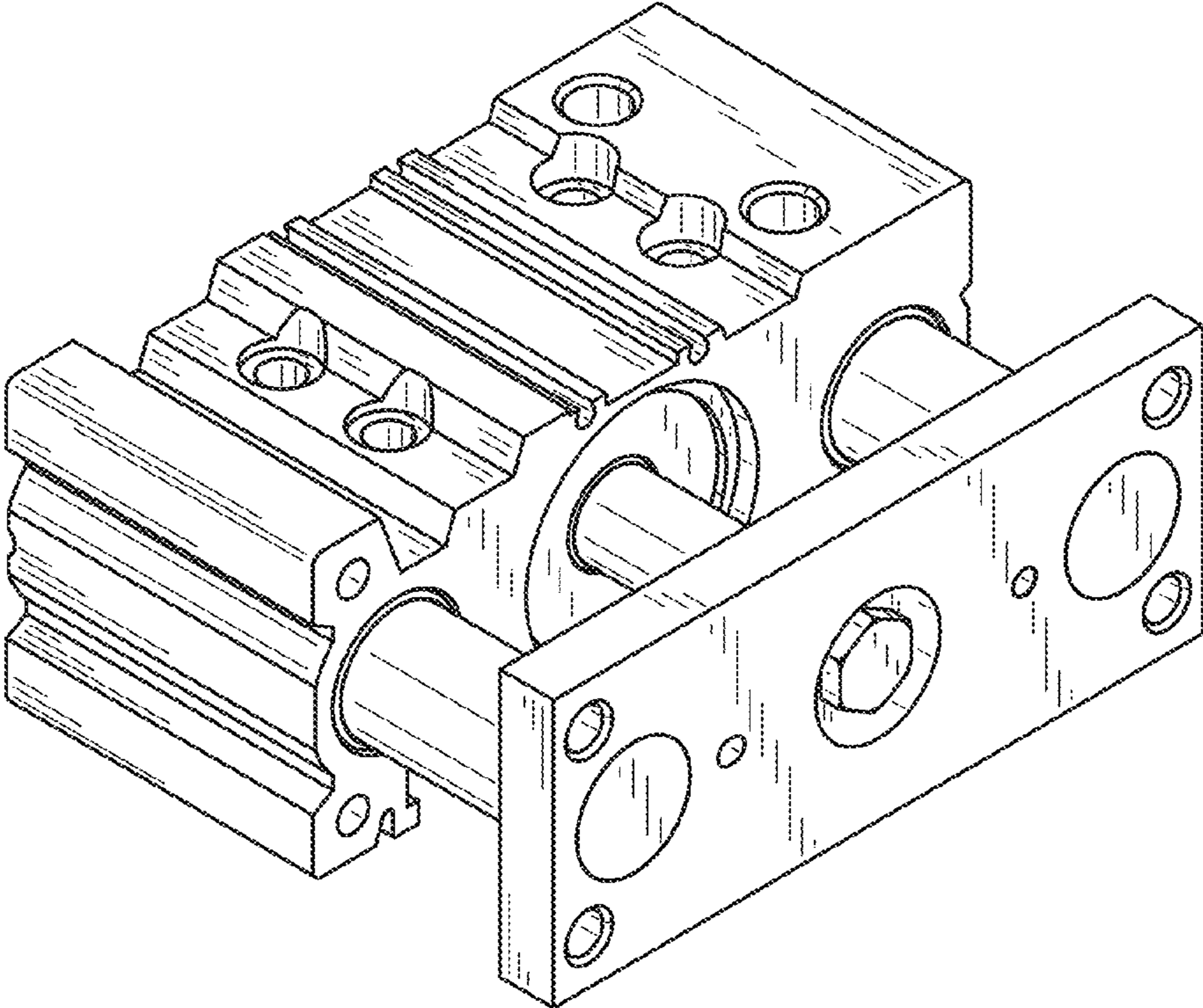


FIG. 2

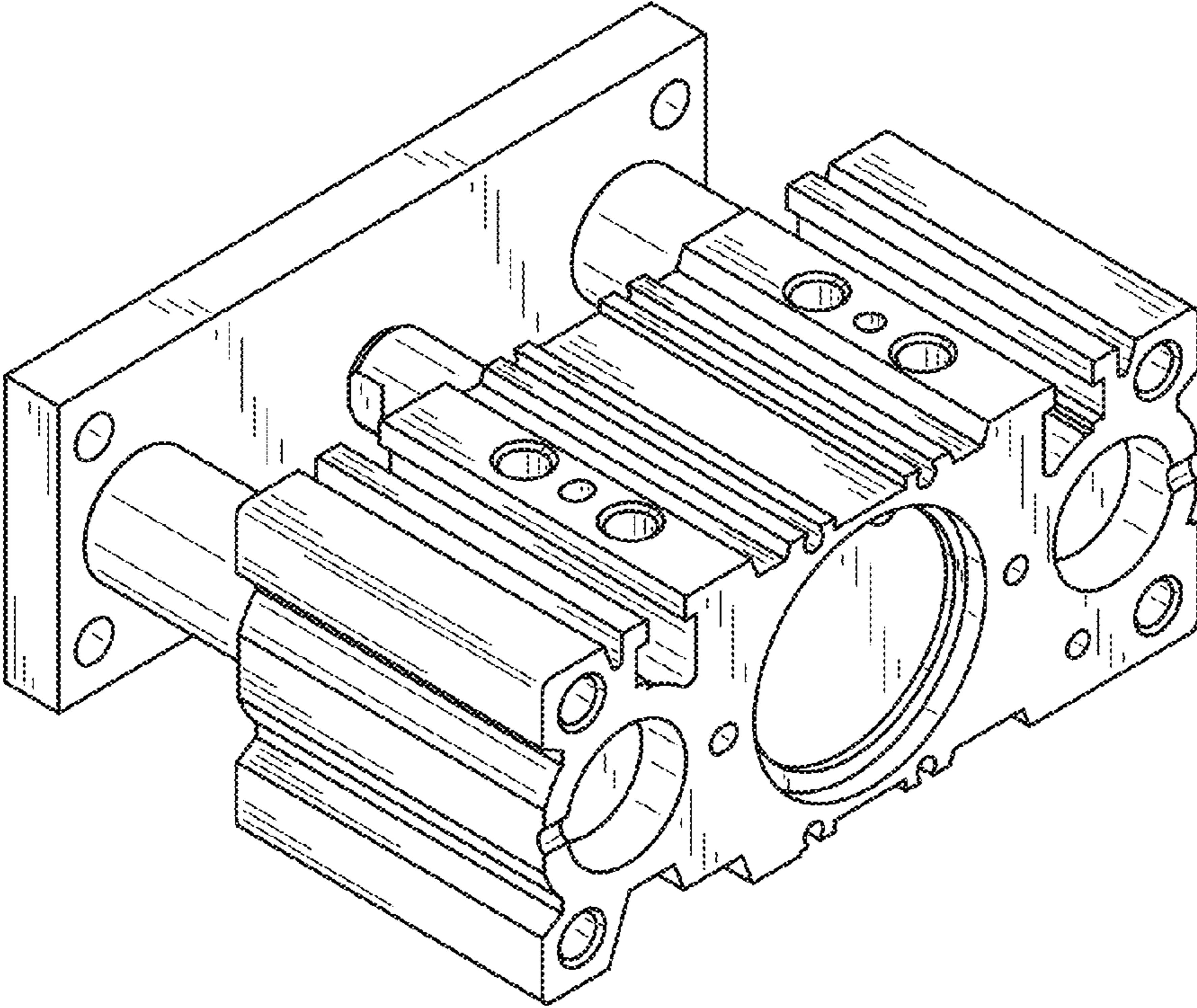


FIG. 3

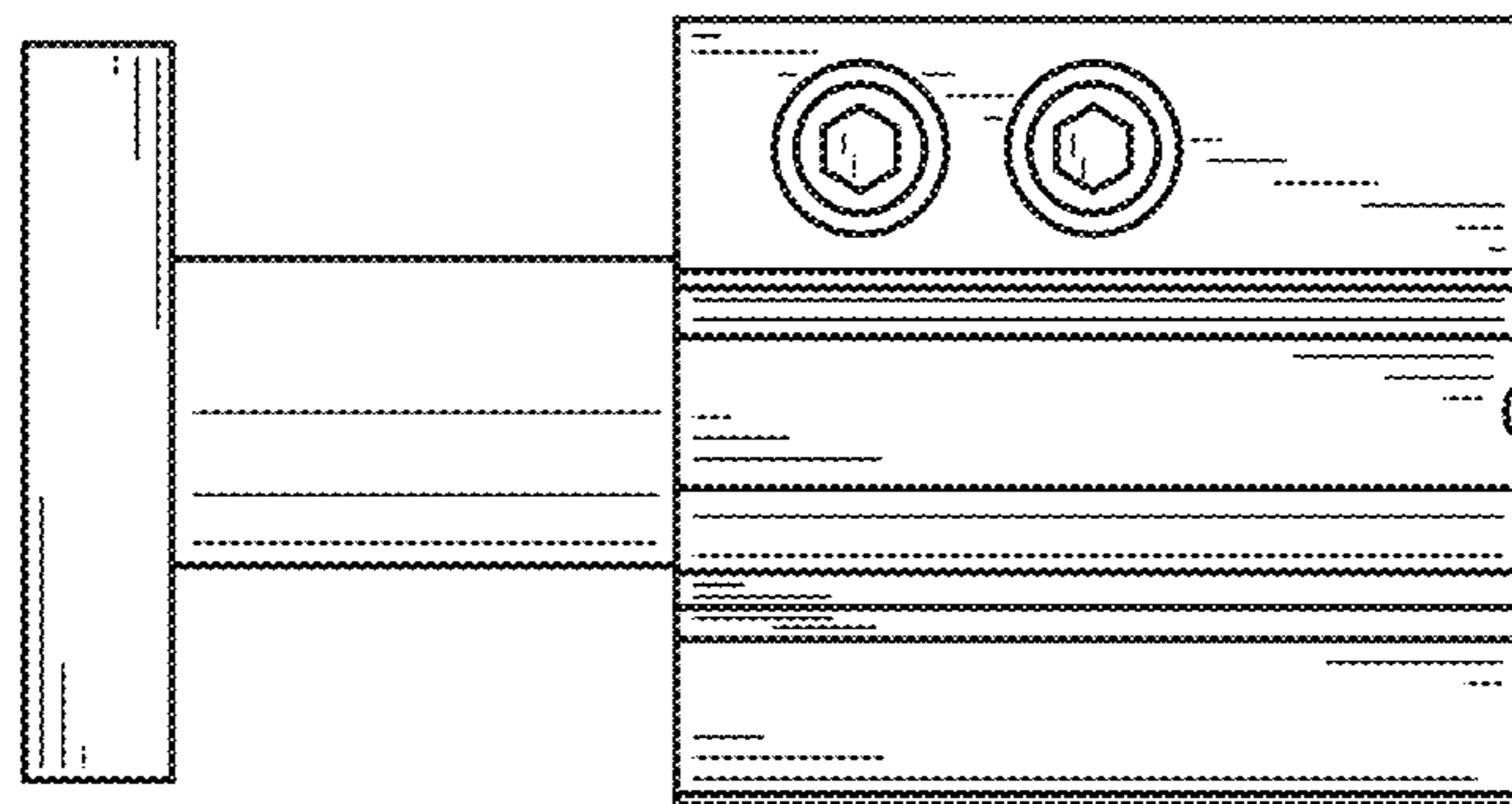


FIG. 4

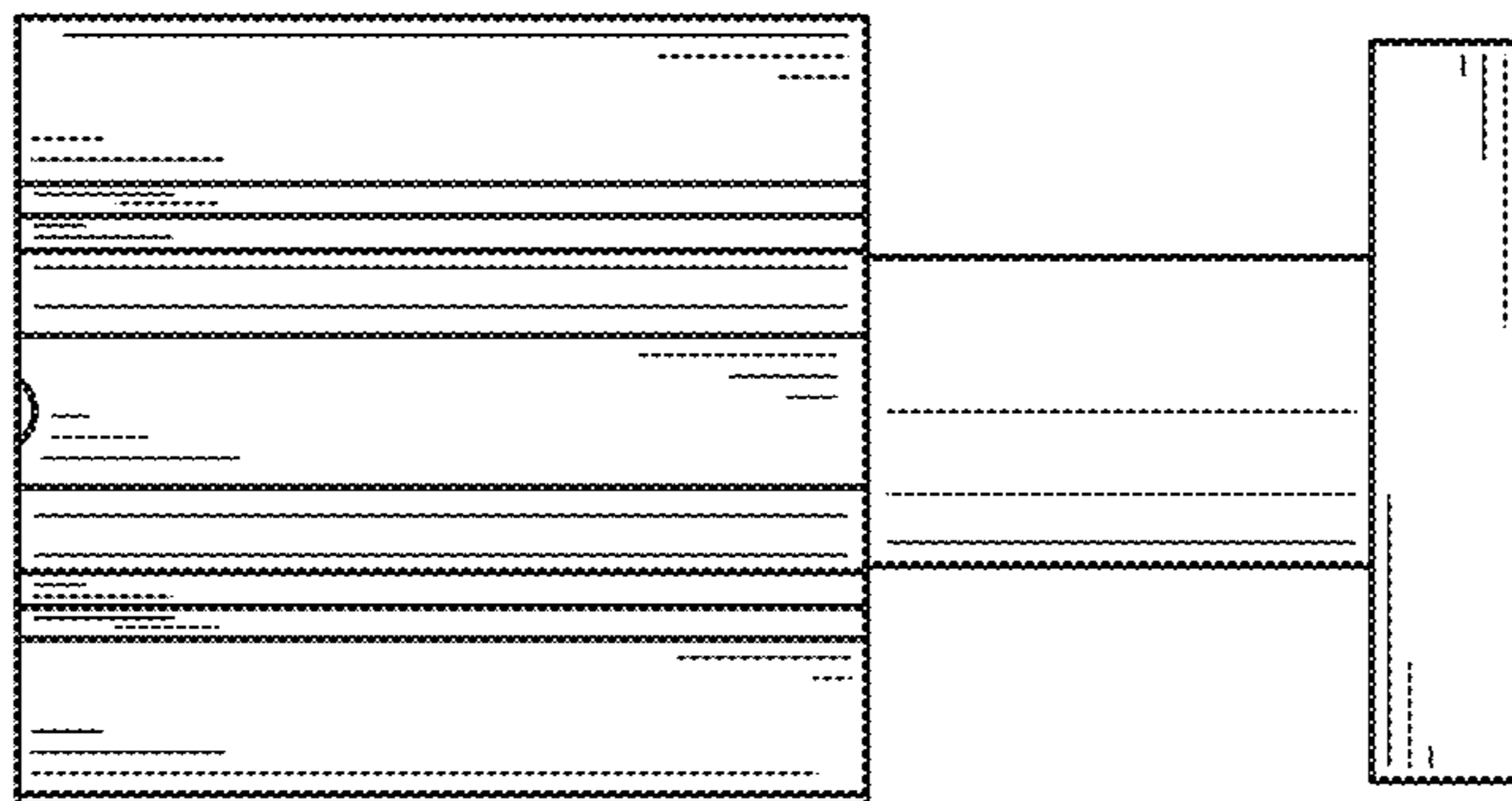


FIG. 5

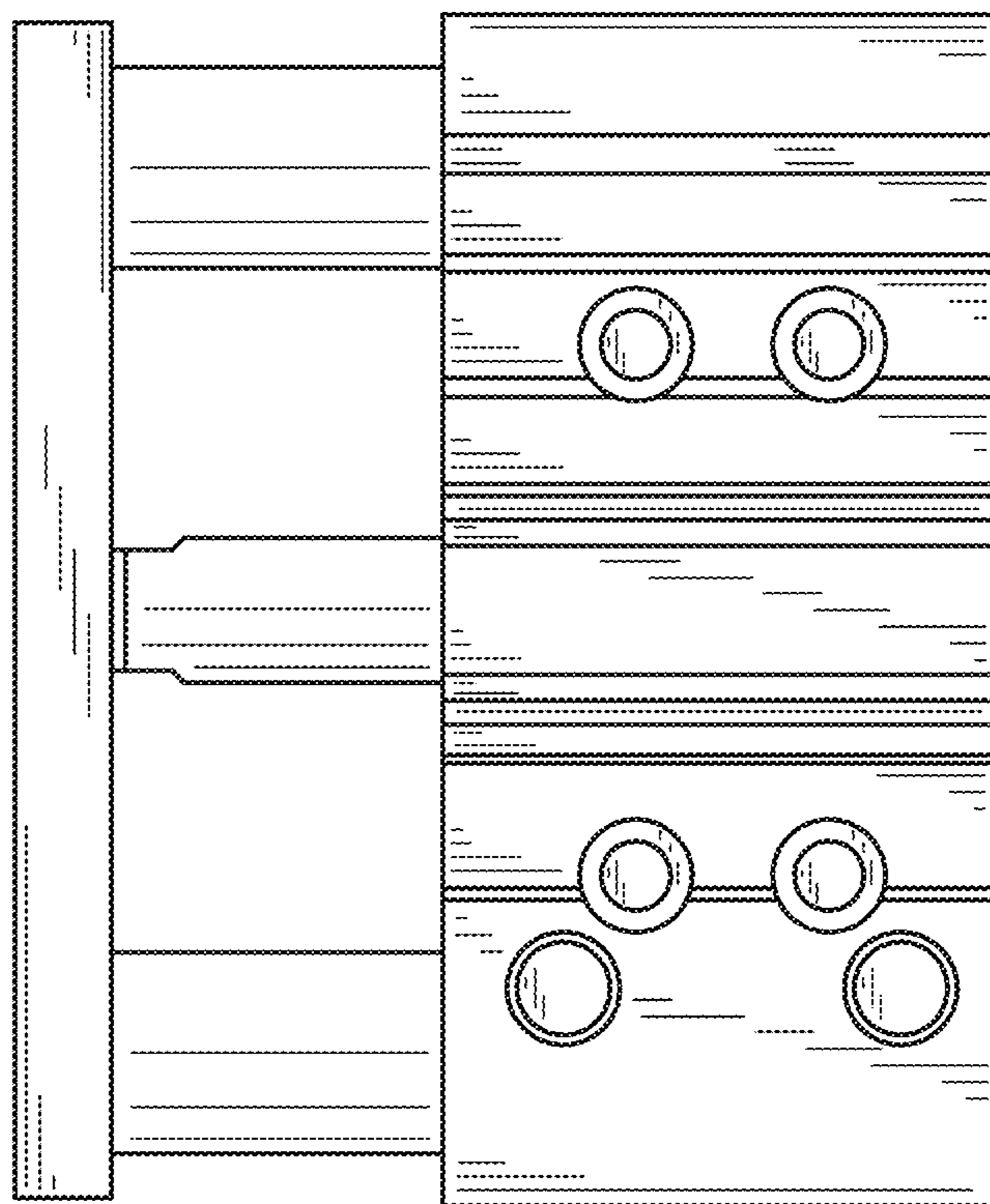


FIG. 6

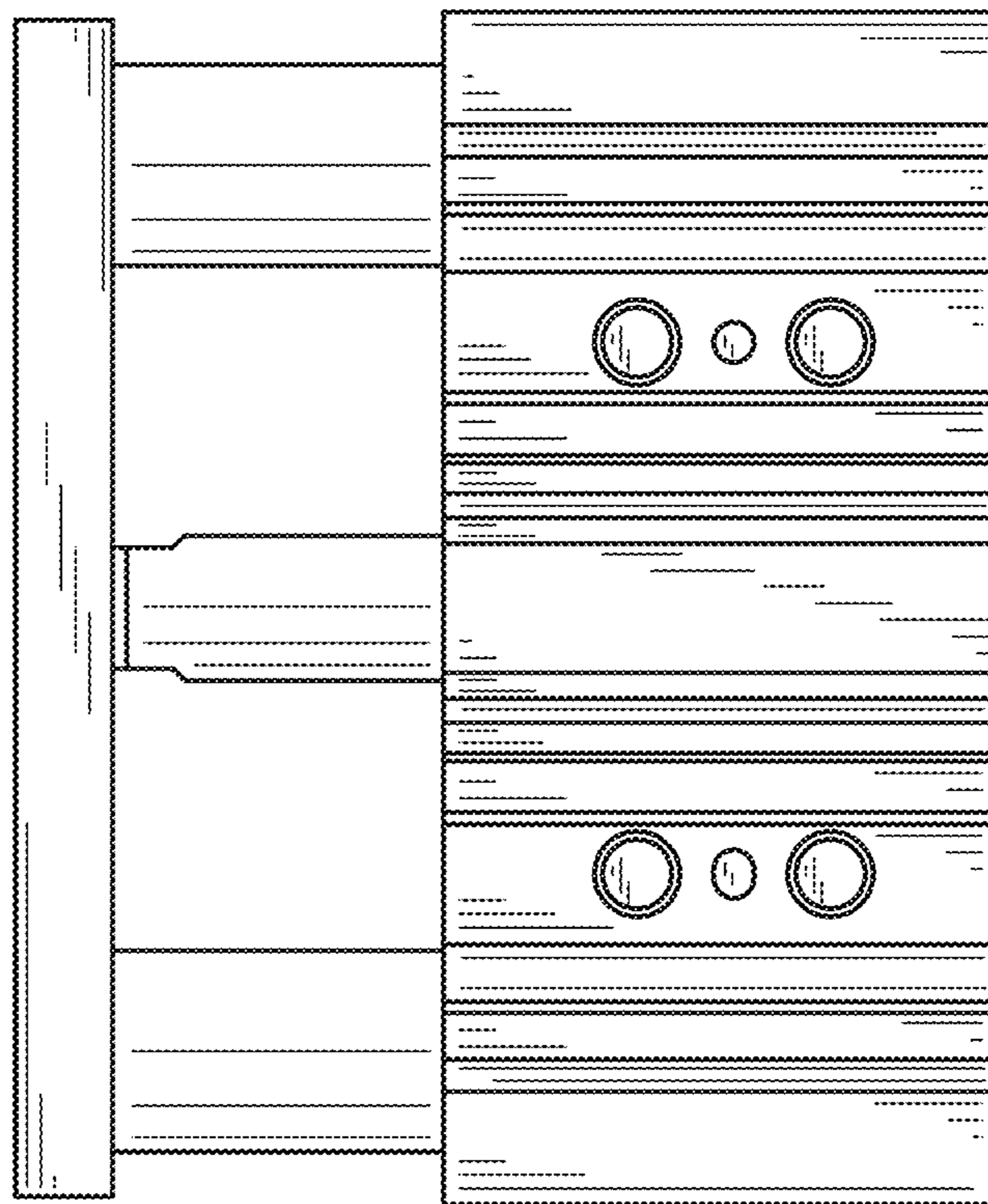


FIG. 7

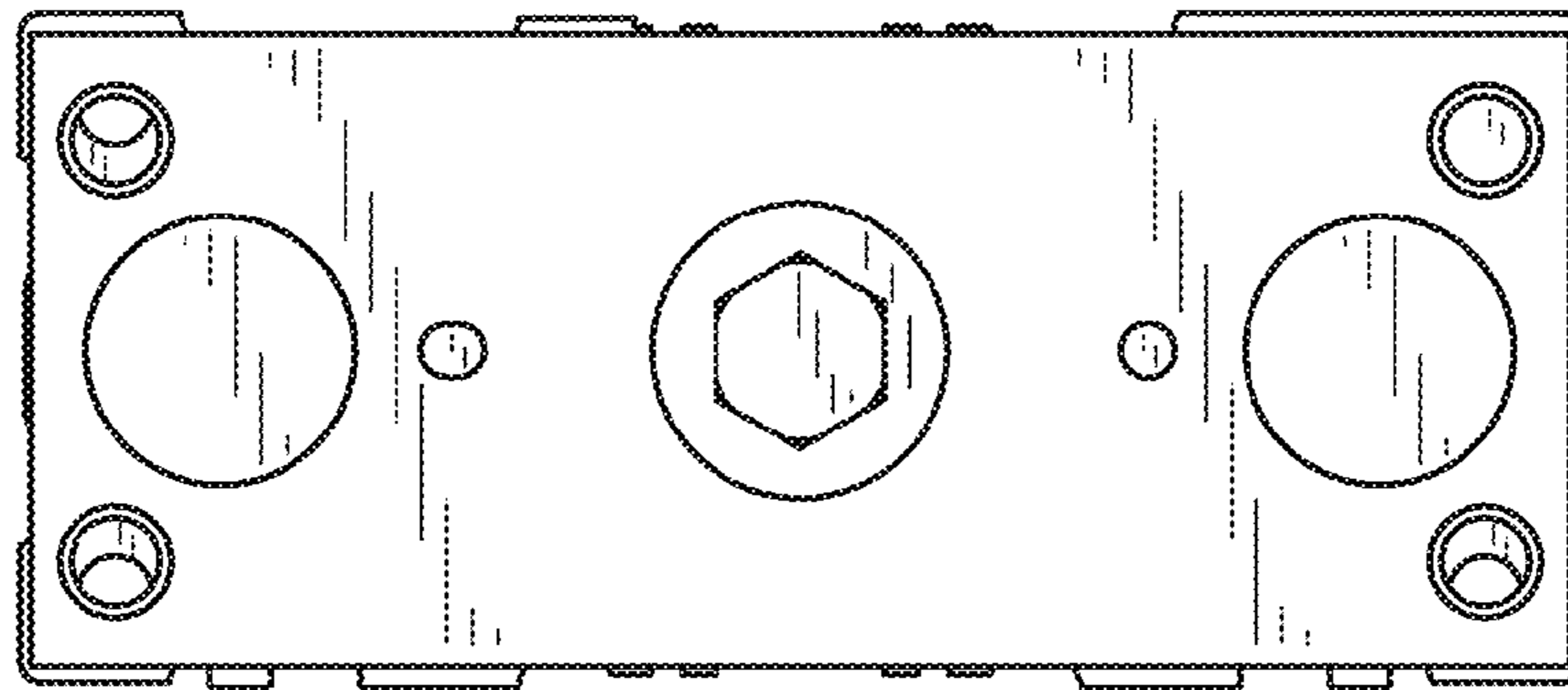


FIG. 8

