



US00D687926S

(12) **United States Design Patent**  
**Conway**

(10) **Patent No.:** **US D687,926 S**

(45) **Date of Patent:** **\*\* Aug. 13, 2013**

(54) **NOZZLE FOR HELIUM BALLOON KIT**

(76) Inventor: **Paul J. Conway**, Chapin, SC (US)

(\*\*) Term: **14 Years**

(21) Appl. No.: **29/382,551**

(22) Filed: **Jan. 5, 2011**

(51) **LOC (9) Cl.** ..... **23-01**

(52) **U.S. Cl.**  
USPC ..... **D23/233**

(58) **Field of Classification Search**  
USPC ..... D23/213, 233-237, 244-249; 141/114,  
141/313-317, 329-330; 222/5, 81-83.5;  
446/222; 127/224

See application file for complete search history.

(56) **References Cited**

**U.S. PATENT DOCUMENTS**

4,903,958	A	2/1990	DiCarlo et al.	
5,108,337	A	4/1992	Sloan et al.	
D335,468	S	5/1993	Cumming	
5,234,726	A	8/1993	Dahan	
D371,426	S *	7/1996	Darin	D23/213
D388,501	S *	12/1997	Clivio	D23/213
5,879,219	A *	3/1999	Penjoke	446/222
6,013,315	A *	1/2000	Mandal	427/240
6,158,588	A	12/2000	Conti	
6,364,733	B1	4/2002	Escauriza et al.	

6,932,125	B2 *	8/2005	Stanley	141/114
D549,802	S *	8/2007	Guenther	D23/213
D552,714	S *	10/2007	Lu	D23/213
D636,845	S *	4/2011	Suzuki et al.	D23/213
D644,714	S *	9/2011	Mauchle et al.	D23/213
2005/0098227	A1 *	5/2005	Stanley	141/114

\* cited by examiner

*Primary Examiner* — Cathron Brooks

*Assistant Examiner* — Maurice Stevens

(57) **CLAIM**

The ornamental design for a nozzle for helium balloon kit, as shown and described.

**DESCRIPTION**

FIG. 1 is a perspective view of a nozzle for helium balloon kit showing my new design;

FIG. 2 is a front view thereof;

FIG. 3 is a side view thereof;

FIG. 4 is an opposite side view thereof;

FIG. 5 is a top view thereof; and,

FIG. 6 is a bottom view thereof.

In FIG. 1, the broken lines showing of environmental structure for purposes of illustrating the nozzle for helium balloon kit in a condition of use. The broken lines and the structure they depict form no part of the claimed design.

**1 Claim, 3 Drawing Sheets**

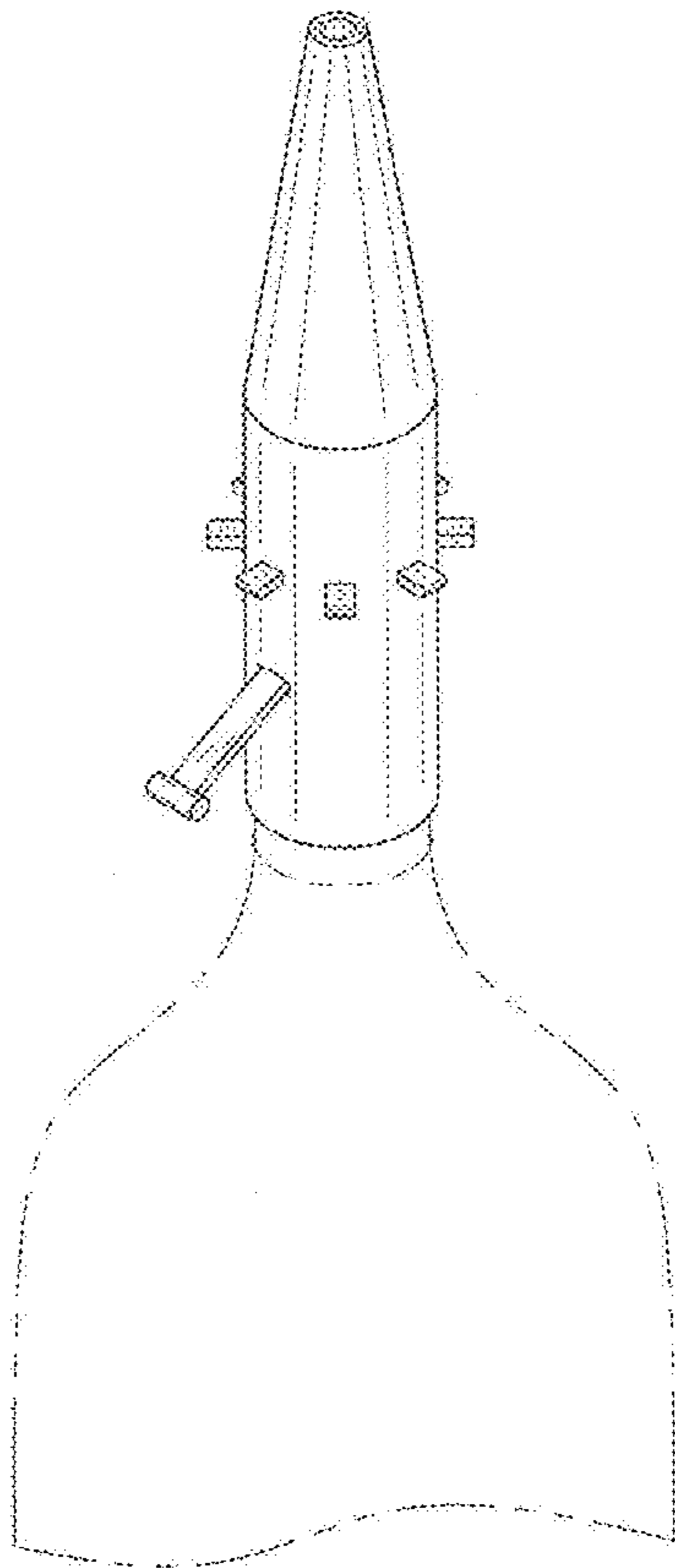
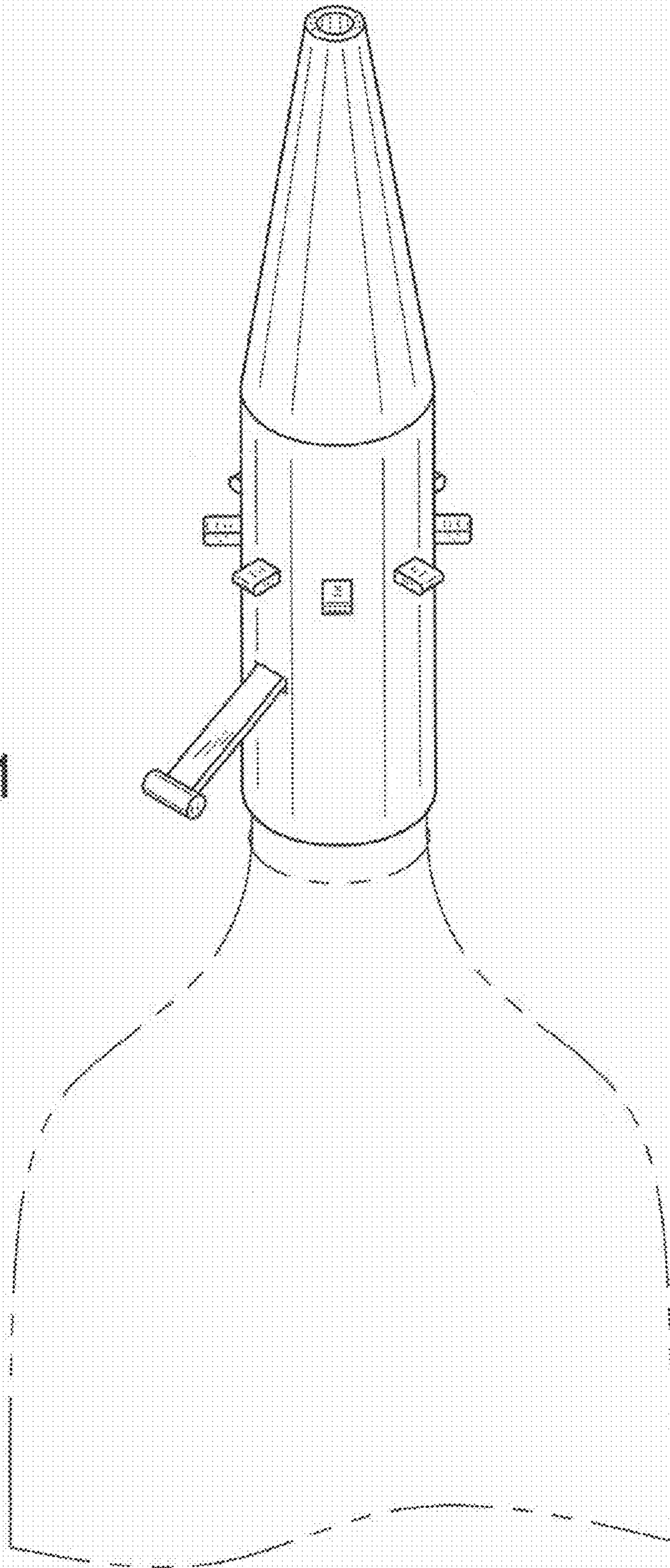


FIG. 1



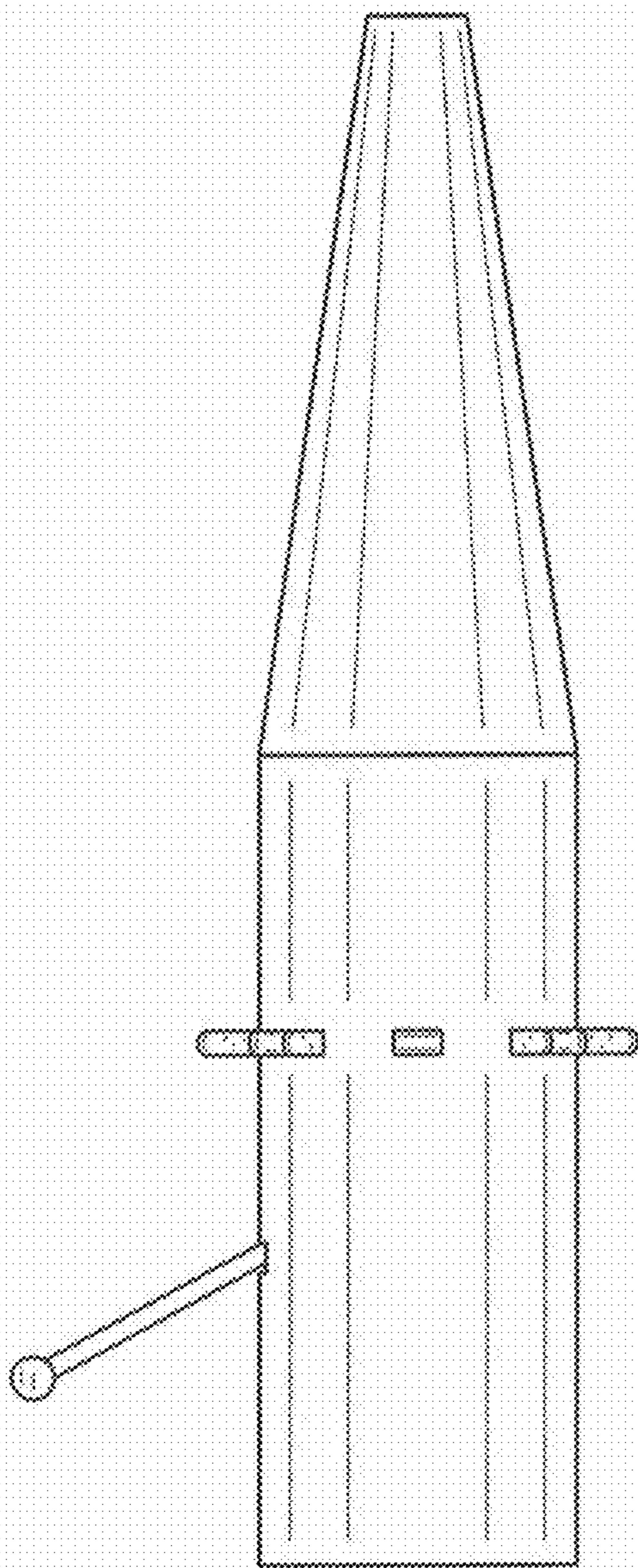


FIG. 2



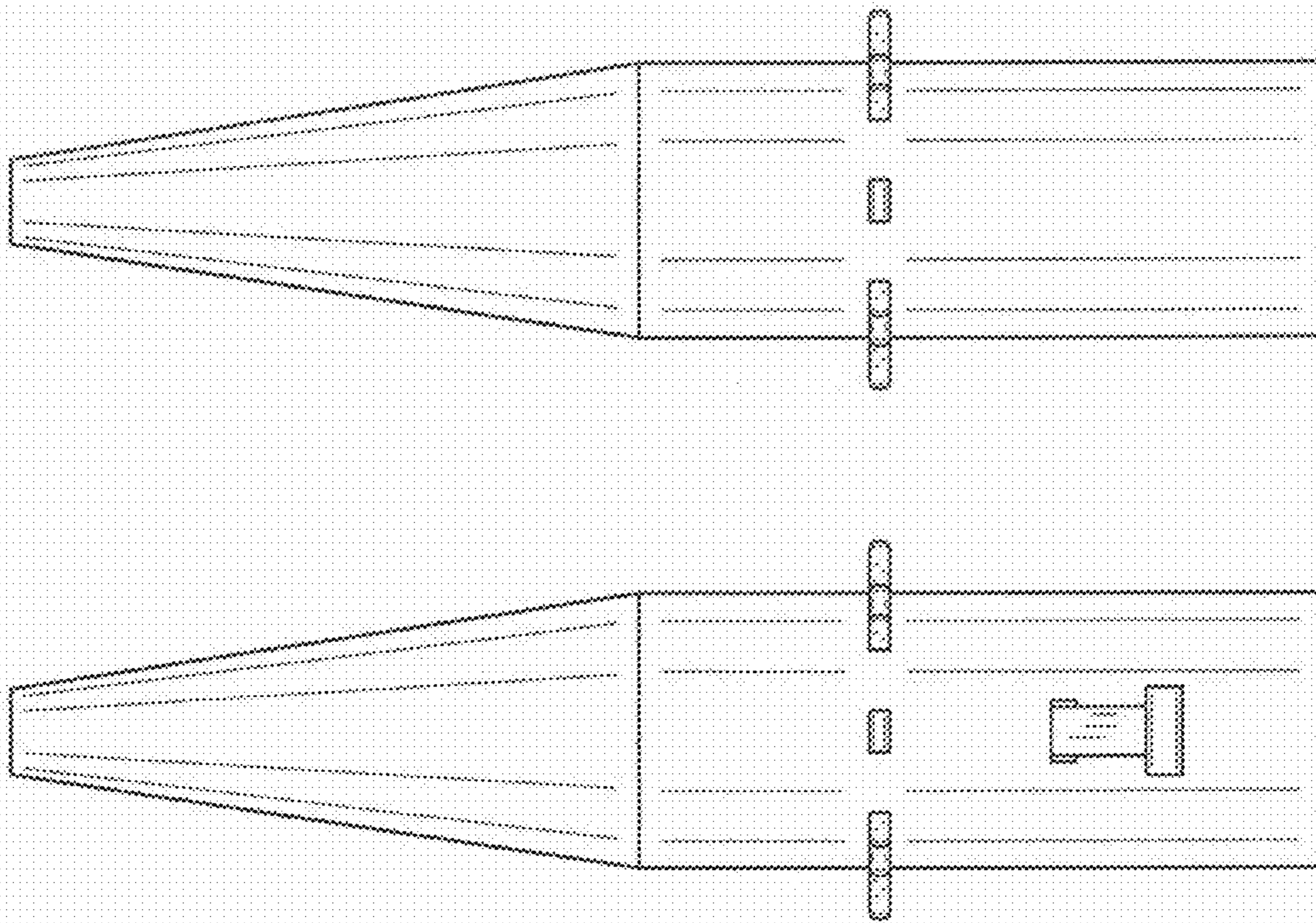


FIG. 3

FIG. 4

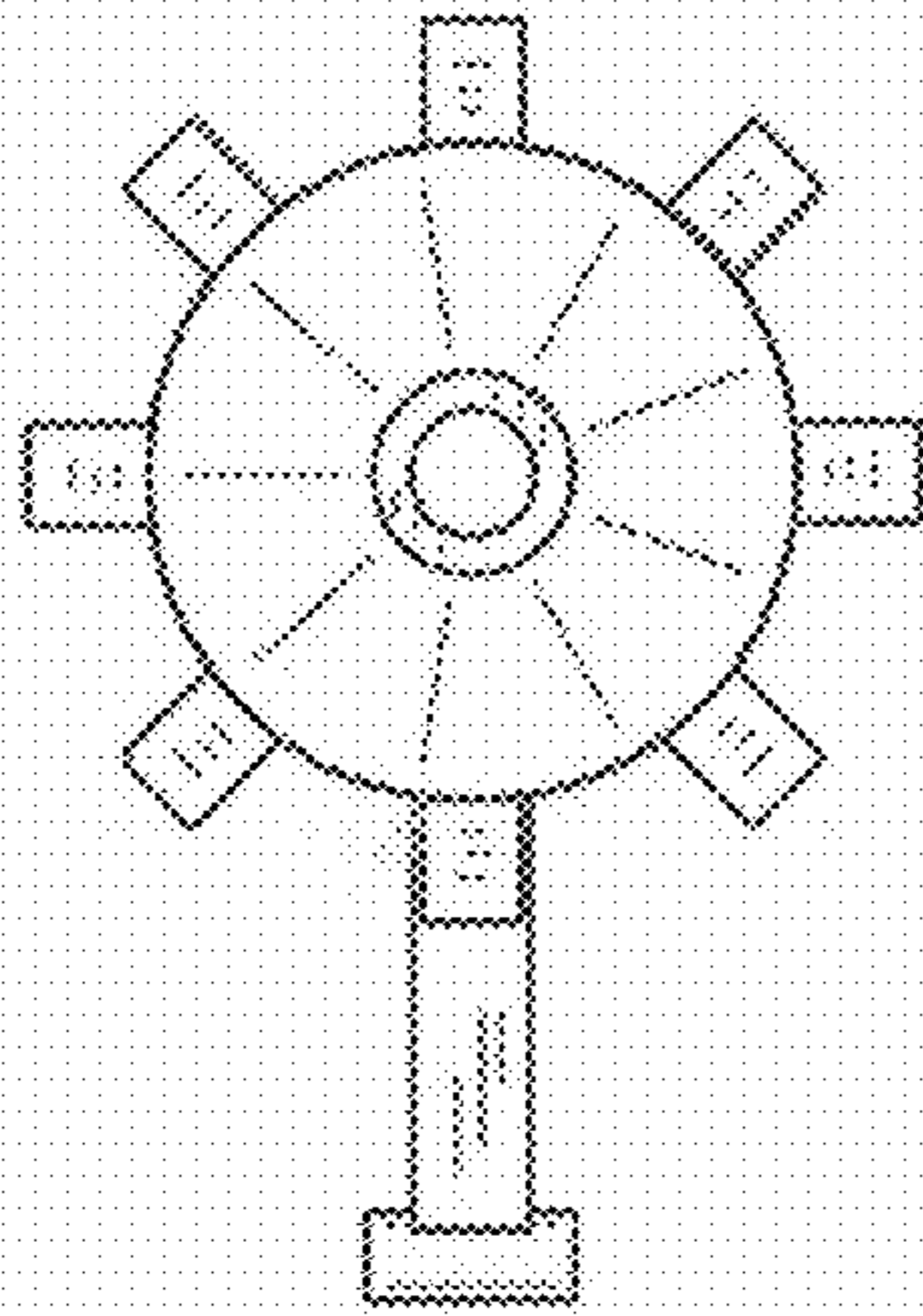


FIG. 5

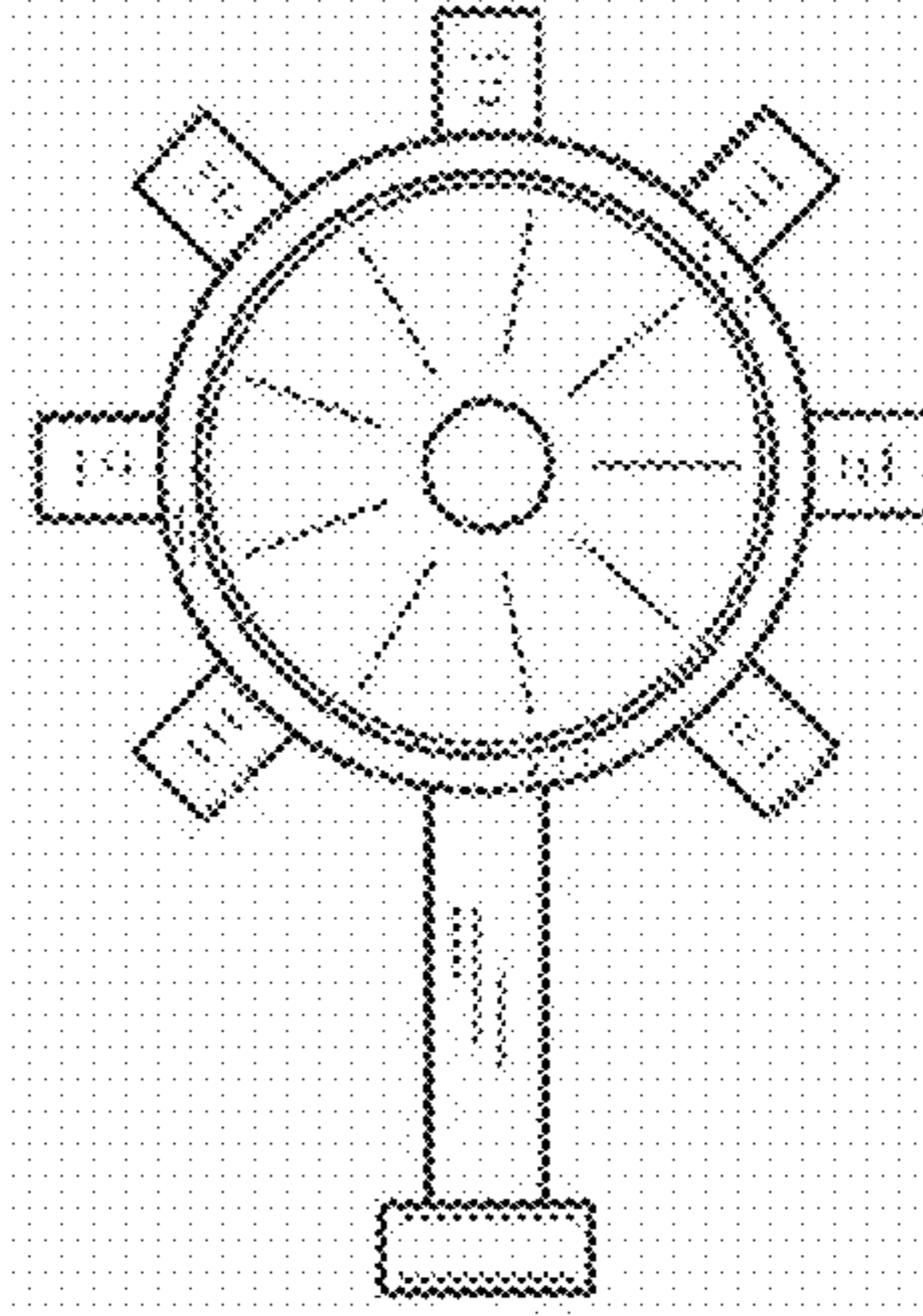


FIG. 6