



US00D687925S

(12) **United States Design Patent**
Gill

(10) **Patent No.:** **US D687,925 S**

(45) **Date of Patent:** **** Aug. 13, 2013**

(54) **ROTATING SPRAY BAR**

(76) **Inventor:** **Brent Gill**, Hillsboro, OR (US)

(**) **Term:** **14 Years**

(21) **Appl. No.:** **29/431,834**

(22) **Filed:** **Sep. 11, 2012**

(51) **LOC (9) Cl.** **23-01**

(52) **U.S. Cl.**
USPC **D23/213**

(58) **Field of Classification Search**
USPC D23/213, 223, 226; 239/532, 548,
239/542, 566
See application file for complete search history.

(56) **References Cited**

U.S. PATENT DOCUMENTS

1,350,605	A	8/1920	Greenawalt
1,583,141	A	5/1926	Greenawalt
1,639,373	A	8/1927	Glover
RE21,652	E	12/1940	Thayer
2,364,298	A	12/1944	Kamp
2,389,329	A	11/1945	Streander
2,404,286	A	7/1946	Graham
2,457,191	A	12/1948	Wigton
2,489,678	A	11/1949	Sharples
3,278,166	A	10/1966	Miles
D244,532	S	5/1977	Poston
4,022,696	A	5/1977	Krofta
4,030,513	A	6/1977	McKenzie
D274,352	S	6/1984	Haug
4,538,765	A	9/1985	Mayr et al.
4,545,892	A	10/1985	Cymbalisty et al.
D282,200	S	1/1986	Haug
4,743,382	A	5/1988	Williamson et al.
4,876,010	A	10/1989	Riddle
D310,860	S	9/1990	Delepine

D311,053	S	10/1990	Delepine	
D311,054	S	10/1990	Delepine	
5,089,136	A	2/1992	Cyr	
5,116,492	A	5/1992	Zlobin et al.	
5,518,553	A	5/1996	Moulder	
5,814,210	A	9/1998	Yoon et al.	
D401,680	S	11/1998	Tiernan	
5,830,356	A	11/1998	Kauppila	
5,911,255	A	6/1999	Bond	
5,913,320	A	6/1999	Varrin, Jr. et al.	
6,065,693	A *	5/2000	Lukas	239/548

(Continued)

FOREIGN PATENT DOCUMENTS

WO WO2004028975 4/2004

Primary Examiner — Robin V Webster

(74) *Attorney, Agent, or Firm* — Law Office of Karen Dana Oster, LLC

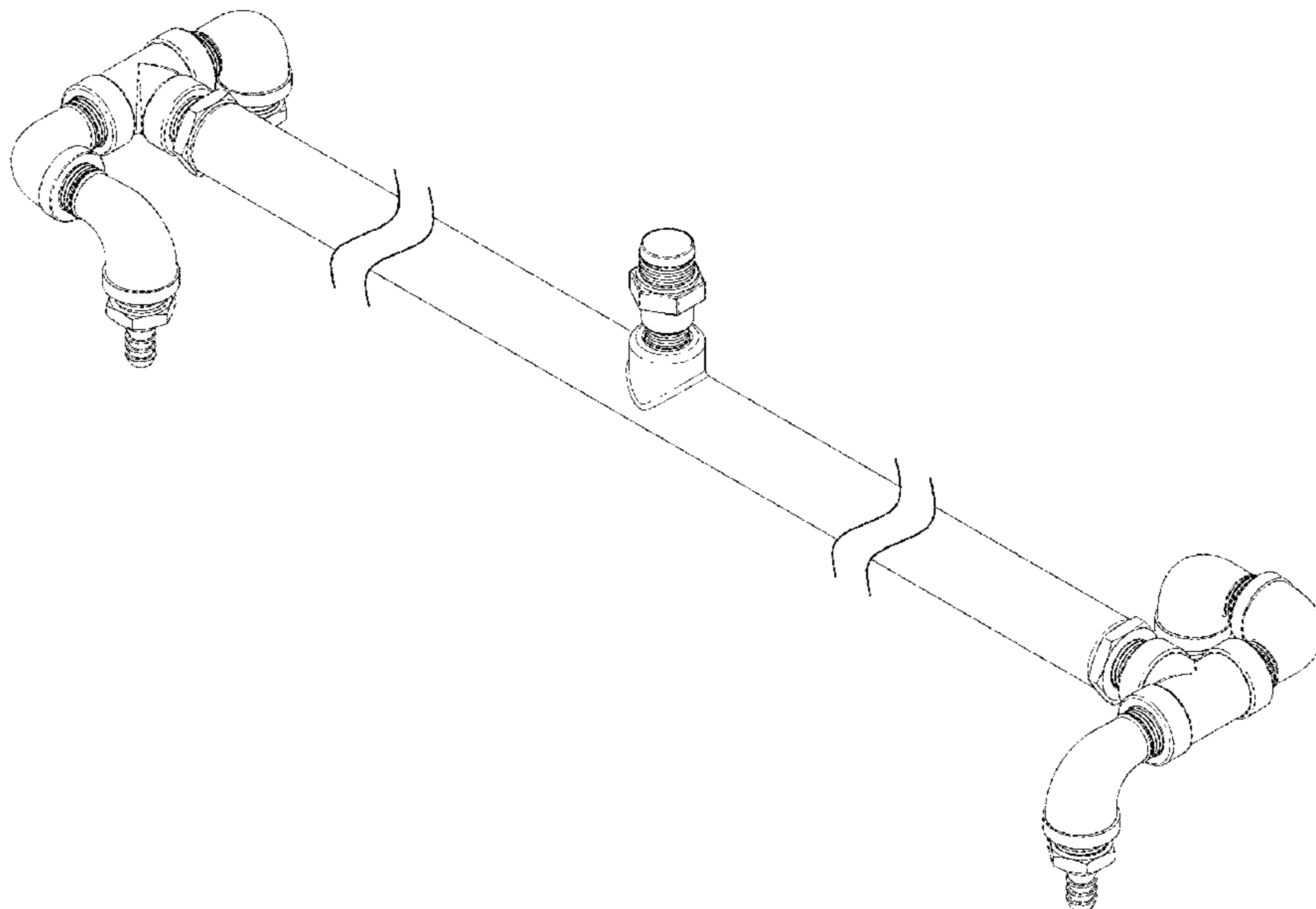
(57) **CLAIM**

I claim the ornamental design for a rotating spray bar, as shown and described.

DESCRIPTION

FIG. 1 is a perspective top view of a rotating spray bar including my new design.
FIG. 2 is a perspective bottom view of a rotating spray bar including my new design.
FIG. 3 is a front plan view of the rotating spray bar.
FIG. 4 is a back plan view of the rotating spray bar.
FIG. 5 is a top plan view of the rotating spray bar.
FIG. 6 is a bottom plan view of the rotating spray bar.
FIG. 7 is a first side view of the rotating spray bar; and,
FIG. 8 is a second side view of the rotating spray bar.
The claimed design is shown fragmented to indicate non-specified length.

1 Claim, 5 Drawing Sheets



US D687,925 S

Page 2

U.S. PATENT DOCUMENTS					
D442,749	S	5/2001	Jones et al.	2004/0112716	A1 6/2004 DeVries et al.
6,568,413	B1	5/2003	Hurskainen	2004/0134757	A1 7/2004 DeVries et al.
6,651,681	B1	11/2003	Hurskainen	2004/0222066	A1 11/2004 Hall
6,874,616	B2	4/2005	DeVries et al.	2005/0247543	A1 11/2005 DeVries et al.
D544,656	S	6/2007	Bloch	2006/0108200	A1 5/2006 Peterson et al.
7,718,013	B2	5/2010	Jonsson	2006/0108202	A1 5/2006 Swinderman
7,967,918	B2	6/2011	Collin et al.	2006/0108203	A1 5/2006 Swinderman
D645,118	S *	9/2011	Shepherd D23/213	2006/0201783	A1 9/2006 Baldasari
D645,936	S *	9/2011	Shepherd D23/213	2007/0033764	A1 2/2007 Lundin et al.
D655,782	S	3/2012	Gill	2007/0170041	A1 7/2007 Hall
8,147,616	B2	4/2012	Wu et al.	2007/0267051	A1 11/2007 Gill
D668,742	S *	10/2012	English D23/213	2008/0264607	A1 10/2008 Hebert
2001/0040129	A1	11/2001	Deskins	2010/0116621	A1 5/2010 DeVries
2004/0093682	A1	5/2004	Litomisky et al.	2010/0218336	A1 9/2010 Kilhlstrom

* cited by examiner

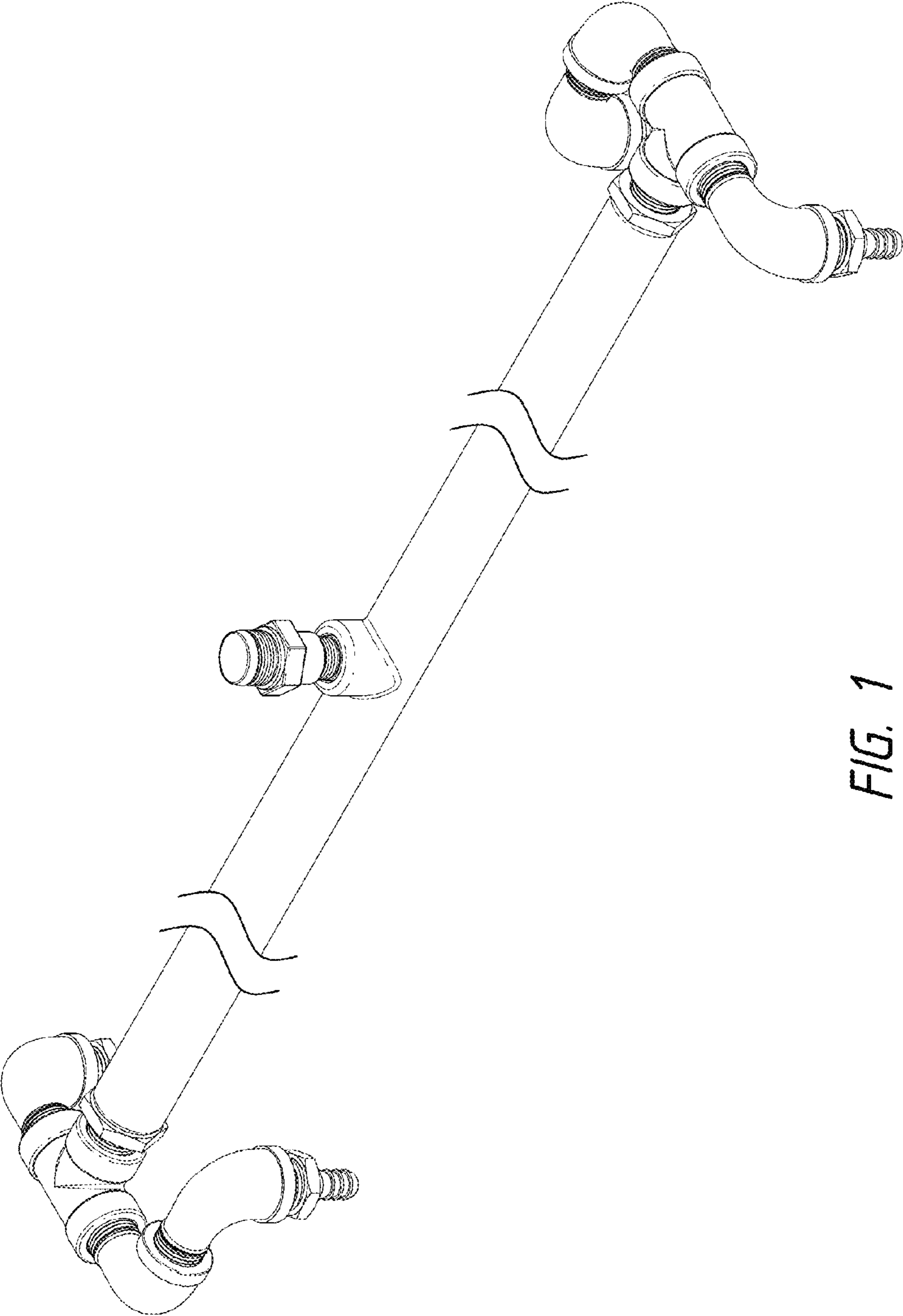


FIG. 1

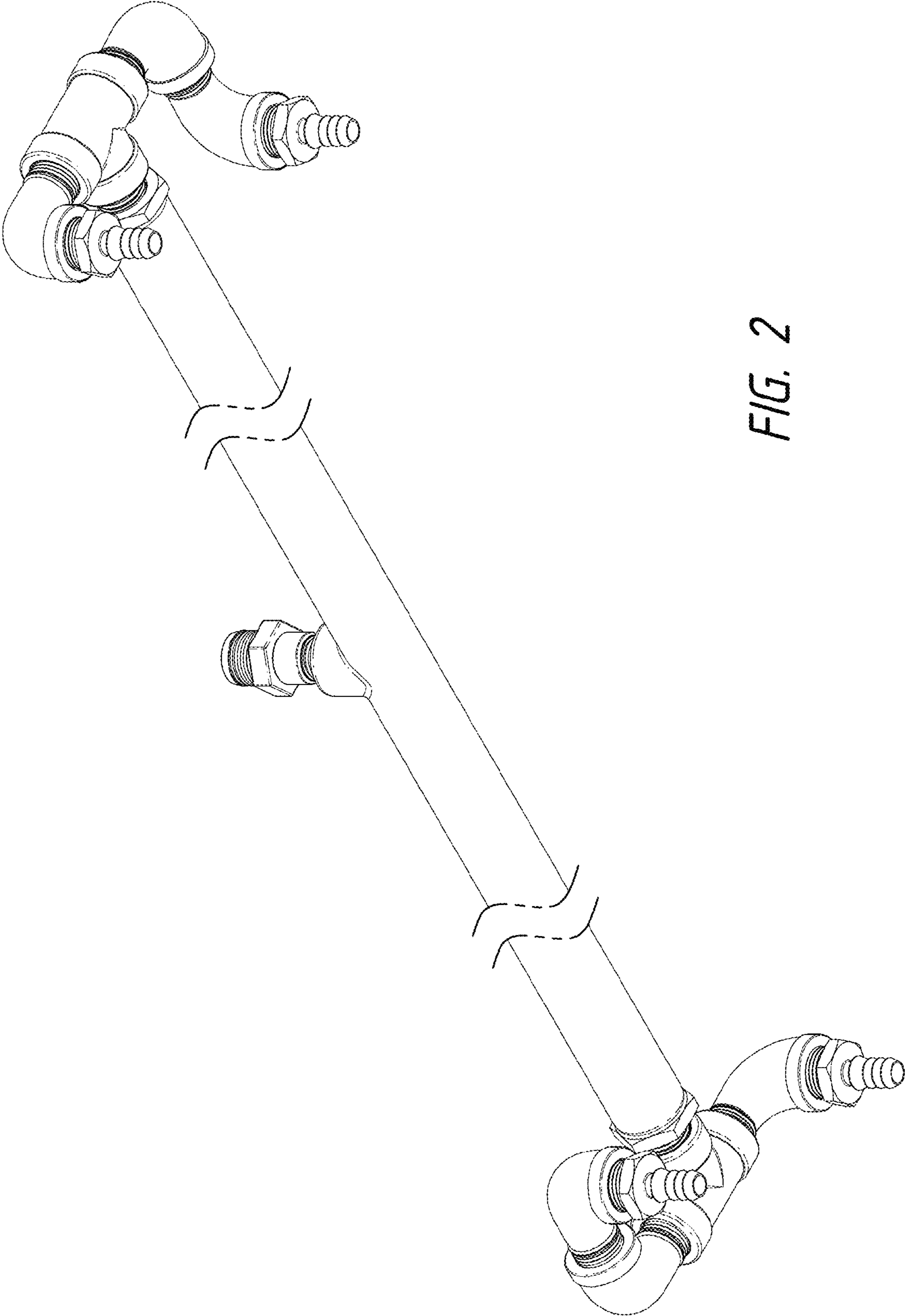


FIG. 2

FIG. 3

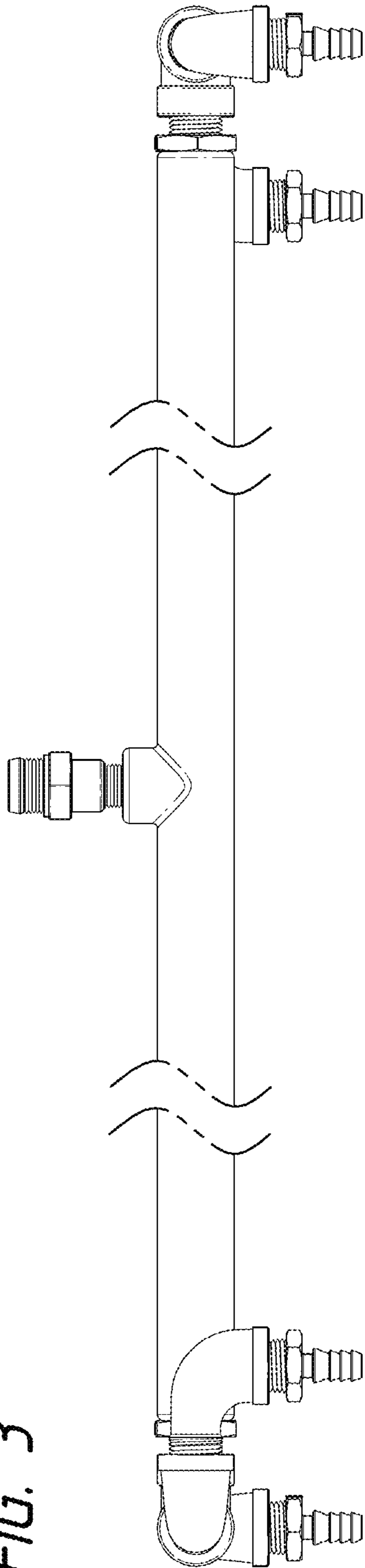
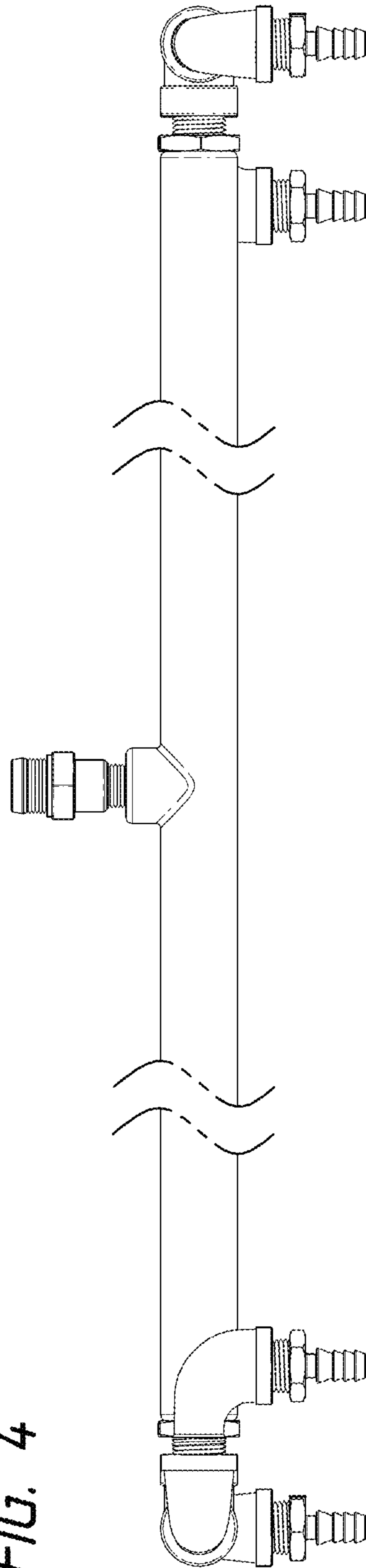


FIG. 4



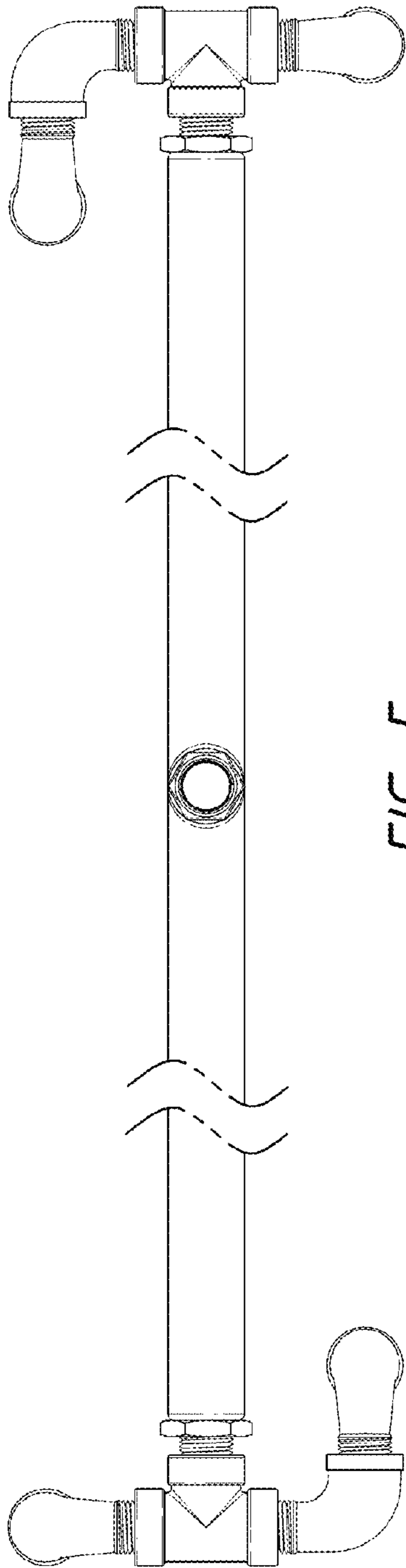


FIG. 5



FIG. 6

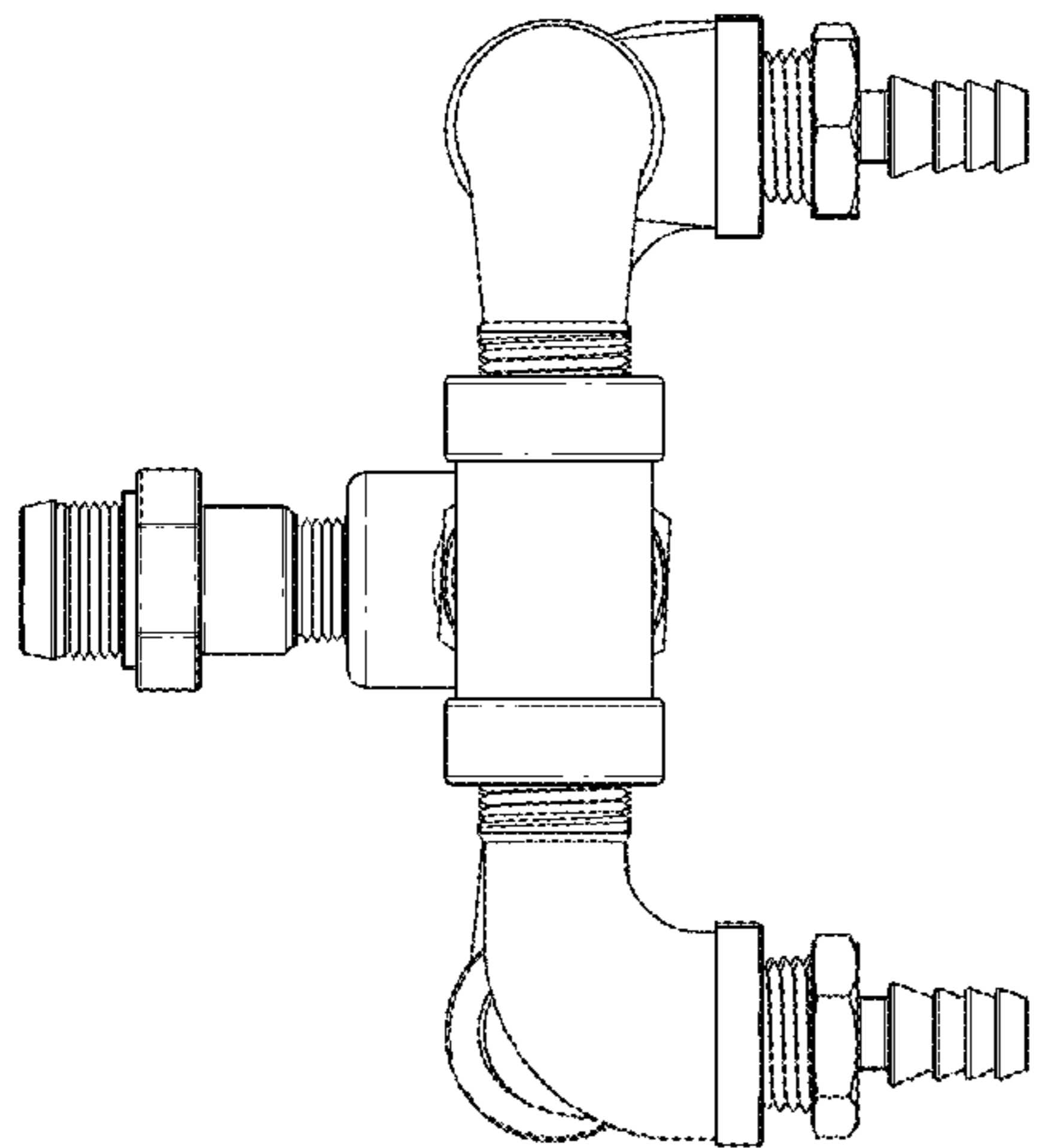


FIG. 7

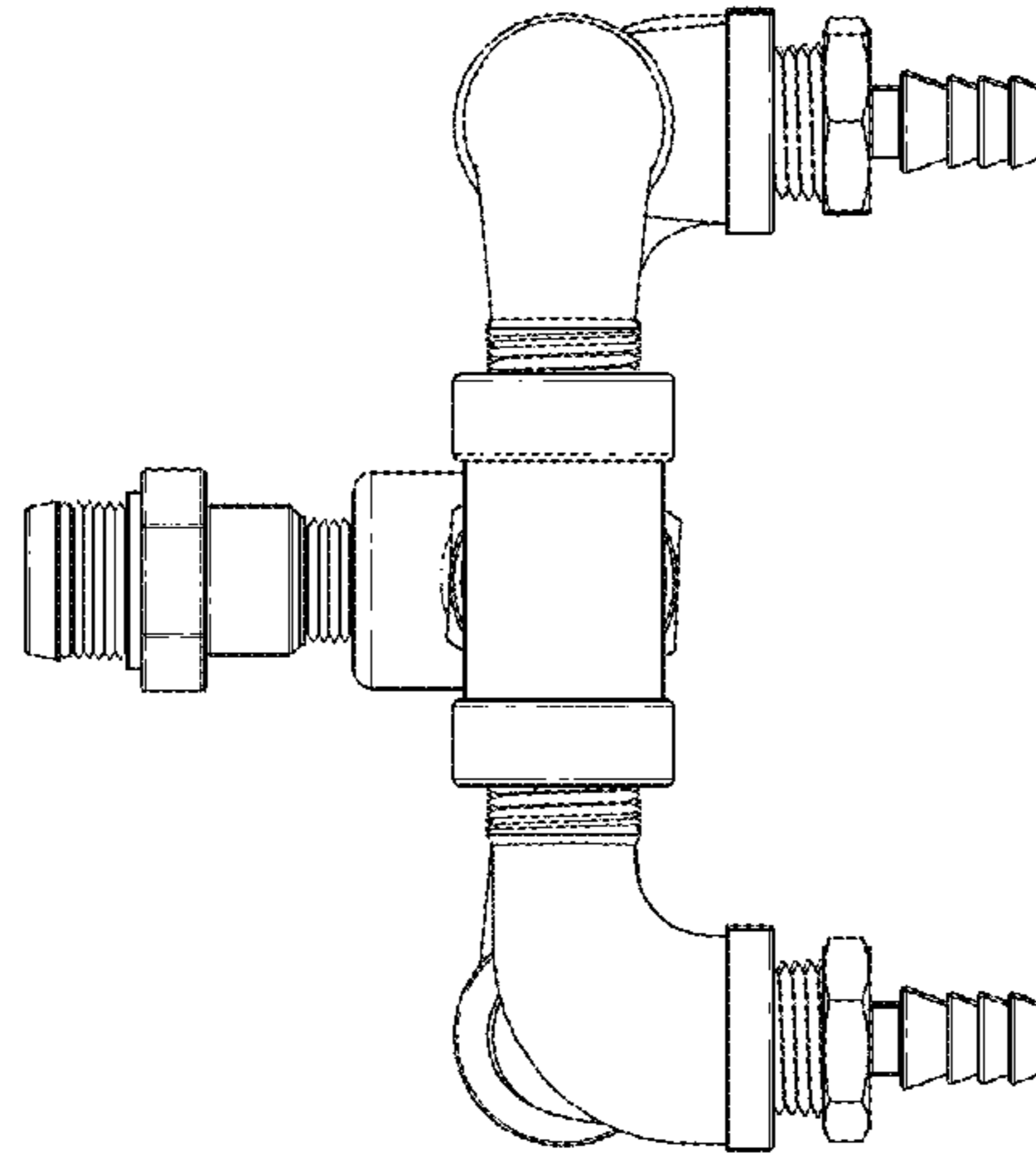


FIG. 8