



US00D687922S

(12) **United States Design Patent**
Jung et al.

(10) **Patent No.:** **US D687,922 S**
(45) **Date of Patent:** **** Aug. 13, 2013**

(54) **LUBRICANT DISPENSER**

(75) Inventors: **Jim Jung**, Delafield, WI (US); **Dan Freeland**, West Allis, WI (US); **Nick Corgiat**, Oconomowoc, WI (US); **Lisa Kiepert**, Sussex, WI (US); **Dan Gundrum**, Slinger, WI (US)

(73) Assignee: **Trico Corporation**, Pewaukee, WI (US)

(**) Term: **14 Years**

(21) Appl. No.: **29/419,146**

(22) Filed: **Apr. 25, 2012**

(51) **LOC (9) Cl.** **23-01**

(52) **U.S. Cl.**
USPC **D23/211.1; D9/528**

(58) **Field of Classification Search**
USPC D9/516, 520, 523, 528, 530, 531, D9/533, 536, 538, 539, 541-543, 559, 560, D9/567, 569, 572; 215/381-385; 220/660, 220/669, 675; D23/211.1, 211.2
See application file for complete search history.

(56) **References Cited**

U.S. PATENT DOCUMENTS

| | | | |
|-----------|---|---------|------------|
| 126,624 | A | 5/1872 | Coffee |
| 539,117 | A | 5/1895 | Busch |
| 779,357 | A | 1/1905 | Gardner |
| 805,645 | A | 11/1905 | Guillott |
| 992,503 | A | 5/1911 | Howard |
| 1,113,276 | A | 10/1914 | Woodmansee |
| 1,571,495 | A | 2/1926 | Smith |
| 1,600,262 | A | 9/1926 | Wickham |
| 1,610,283 | A | 12/1926 | Hill |
| 1,687,395 | A | 10/1928 | Shew |
| 1,688,279 | A | 10/1928 | Locke |
| 1,864,195 | A | 6/1932 | Hall |
| 2,227,646 | A | 1/1941 | Hillman |
| 2,335,557 | A | 11/1943 | Winther |

(Continued)

FOREIGN PATENT DOCUMENTS

| | | |
|----|---------|--------|
| CA | 2291763 | 7/2002 |
| CA | 2289726 | 3/2003 |

(Continued)

OTHER PUBLICATIONS

International Search Report, dated Jan. 20, 1999 for PCT/US98/09039, International Filing Date May 8, 1998.

(Continued)

Primary Examiner — Keli L Hill

(74) *Attorney, Agent, or Firm* — Ryan Kromholz & Manion, S.C.

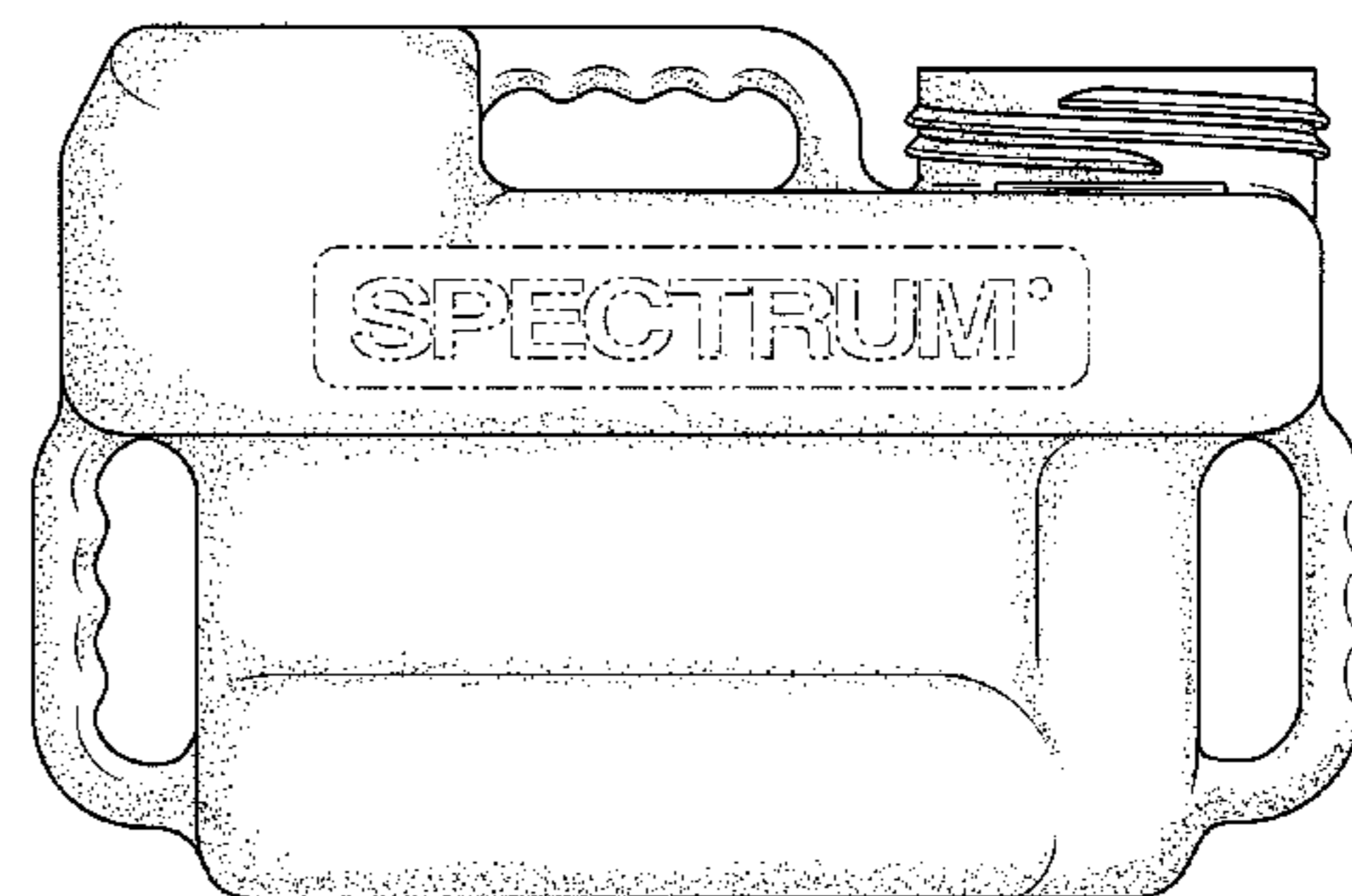
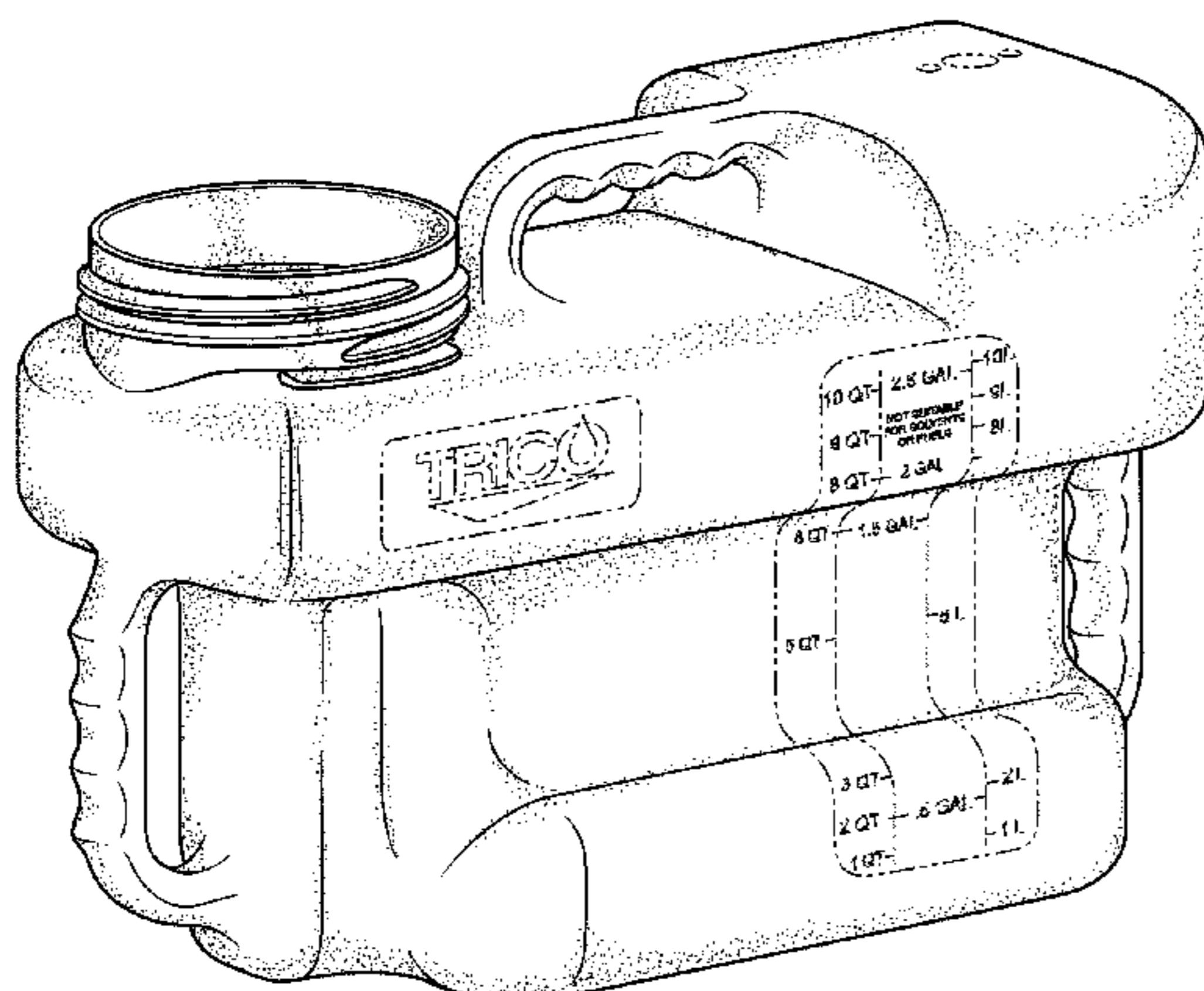
(57) **CLAIM**

The ornamental design for a lubricant dispenser, as shown and described.

DESCRIPTION

FIG. 1 is a perspective view of the lubricant container of the present invention;
FIG. 2 is a first side view of the lubricant container of the present invention;
FIG. 3 is a second side view of the lubricant container of the present invention;
FIG. 4 is a front view of the lubricant container of the present invention;
FIG. 5 is a rear view of the lubricant container of the present invention;
FIG. 6 is a top view of the lubricant container of the present invention; and,
FIG. 7 is a bottom view of the lubricant container of the present invention.
The broken lines shown are included for the purpose of illustrating the unclaimed portions of the lubricant dispenser and form no part of the claim.

1 Claim, 3 Drawing Sheets



US D687,922 S

| U.S. PATENT DOCUMENTS | | | | | |
|-----------------------|-----|--------------------------------|-----------|-----|------------------------------------|
| 2,340,455 | A | 2/1944 Davis | 5,330,636 | A | 7/1994 Reichert |
| 2,376,623 | A | 5/1945 Romberg | 5,332,064 | A | 7/1994 Liu |
| 2,397,597 | A | 4/1946 Dunkle | 5,334,941 | A | 8/1994 King |
| 2,439,709 | A | 4/1948 Ashbury | 5,381,874 | A | 1/1995 Hadank et al. |
| 2,589,081 | A | 3/1952 Hertz | 5,382,942 | A | 1/1995 Raffa et al. |
| 2,608,993 | A | 9/1952 Andrews | D358,097 | S | 5/1995 Leibowitz |
| 2,703,628 | A | 3/1955 Pompeo et al. | D358,548 | S | 5/1995 Platte |
| 2,774,621 | A | 12/1956 Kilbourne, Jr. | 5,457,396 | A | 10/1995 Mori et al. |
| 2,930,432 | A | 3/1960 Engstrom | 5,499,902 | A | 3/1996 Rockwood |
| 2,950,943 | A | 8/1960 Forrest | 5,504,573 | A | 4/1996 Cheiky-Zelina |
| 2,995,213 | A | 8/1961 Gross | 5,521,515 | A | 5/1996 Campbell |
| 3,123,095 | A | 3/1964 Kohler | 5,540,086 | A | 7/1996 Park et al. |
| 3,193,990 | A | 7/1965 Smith | 5,542,499 | A | 8/1996 Westermeyer |
| 3,233,173 | A | 2/1966 Lees et al. | 5,548,217 | A | 8/1996 Gibson et al. |
| D205,166 | S | 6/1966 Price | 5,568,842 | A | 10/1996 Otani |
| 3,323,291 | A | 6/1967 Kern | 5,596,266 | A | 1/1997 Mori et al. |
| 3,338,262 | A | 8/1967 Chopelin | 5,604,441 | A | 2/1997 Freese |
| 3,447,562 | A | 6/1969 Hoffman | 5,614,830 | A | 3/1997 Dickert et al. |
| D217,665 | S | 5/1970 Self | 5,634,531 | A | 6/1997 Graf et al. |
| D217,666 | S | 5/1970 Self | 5,647,735 | A | 7/1997 Rockwood |
| D217,667 | S | 5/1970 Self | 5,656,767 | A | 8/1997 Garvey, III et al. |
| 3,952,566 | A | 4/1976 Jacobson | 5,671,825 | A | 9/1997 Wong et al. |
| 4,018,579 | A | 4/1977 Hoffmann | 5,674,401 | A | 10/1997 Dickert et al. |
| 4,047,814 | A | 9/1977 Westcott | 5,702,592 | A | 12/1997 Suri et al. |
| 4,058,766 | A | 11/1977 Vogel et al. | 5,754,055 | A | 5/1998 McAdoo |
| 4,064,455 | A | 12/1977 Hopkins et al. | 5,779,005 | A | 7/1998 Jones, Jr. et al. |
| 4,105,092 | A | 8/1978 Zeidler et al. | 5,789,665 | A | 8/1998 Voelker et al. |
| 4,227,419 | A | 10/1980 Park | 5,806,630 | A | 9/1998 Bernal |
| 4,312,424 | A | 1/1982 Taylor et al. | 5,816,212 | A | 10/1998 Lindquist et al. |
| 4,345,668 | A | 8/1982 Gaunt | 5,824,889 | A | 10/1998 Park et al. |
| 4,423,371 | A | 12/1983 Senturia et al. | 5,826,986 | A | 10/1998 Adkins et al. |
| 4,445,168 | A | 4/1984 Petryszyn | 5,858,070 | A | 1/1999 Halm et al. |
| 4,466,508 | A | 8/1984 Busch | 5,878,842 | A | 3/1999 Rake |
| 4,503,383 | A | 3/1985 Agar | 5,884,802 | A | 3/1999 Leibowitz |
| D279,549 | S | 7/1985 Elmburg | 6,028,433 | A | 2/2000 Cheiky-Zelina et al. |
| 4,527,661 | A | 7/1985 Johnstone et al. | 6,077,330 | A | 6/2000 Sabelstrom |
| 4,591,024 | A | 5/1986 Erickson | 6,113,676 | A | 9/2000 Kumpulainen |
| 4,629,334 | A | 12/1986 Hochstein | D433,635 | S * | 11/2000 Chrisco et al. D9/527 |
| 4,646,070 | A | 2/1987 Yasuhara | D435,451 | S * | 12/2000 Giugiaro D9/528 |
| 4,681,189 | A | 7/1987 Krisiloff | 6,192,025 | B1 | 2/2001 Chen |
| 4,689,553 | A | 8/1987 Haddox | 6,204,656 | B1 | 3/2001 Cheiky-Zelina et al. |
| 4,733,556 | A | 3/1988 Meitzler et al. | 6,223,589 | B1 | 5/2001 Dickert et al. |
| 4,735,286 | A | 4/1988 Miki et al. | 6,250,152 | B1 | 6/2001 Klein et al. |
| 4,738,336 | A | 4/1988 Smith et al. | 6,253,601 | B1 | 7/2001 Wang et al. |
| D302,888 | S | 8/1989 Jung | 6,273,031 | B1 | 8/2001 Verdegan et al. |
| 4,990,057 | A | 2/1991 Rollins | 6,277,173 | B1 | 8/2001 Sadakata et al. |
| 5,025,222 | A | 6/1991 Scott et al. | 6,278,282 | B1 | 8/2001 Marszalek |
| 5,039,425 | A | 8/1991 Caris et al. | 6,368,411 | B2 | 4/2002 Roberson, Jr. et al. |
| 5,042,618 | A | 8/1991 Switalski et al. | 6,443,006 | B1 | 9/2002 Degrave |
| 5,045,798 | A | 9/1991 Hendrick | 6,447,537 | B1 | 9/2002 Rake |
| 5,060,760 | A | 10/1991 Long et al. | 6,447,573 | B1 | 9/2002 Rake |
| 5,071,527 | A | 12/1991 Kauffman | 6,449,580 | B1 | 9/2002 Bardetsky et al. |
| 5,072,190 | A | 12/1991 Martin | 6,459,995 | B1 | 10/2002 Collister |
| 5,080,195 | A | 1/1992 Mizumoto et al. | 6,460,656 | B1 | 10/2002 Jones, Jr. et al. |
| D324,495 | S * | 3/1992 Warrington D9/528 | 6,509,749 | B1 | 1/2003 Buelna et al. |
| 5,101,936 | A | 4/1992 Paredes et al. | 6,513,368 | B2 | 2/2003 Bondarowicz et al. |
| 5,103,181 | A | 4/1992 Gaisford et al. | 6,519,034 | B1 | 2/2003 Engler et al. |
| 5,125,480 | A | 6/1992 Gregory et al. | 6,535,001 | B1 | 3/2003 Wang |
| D333,177 | S | 2/1993 Poirier | 6,551,055 | B2 | 4/2003 Rockwood |
| 5,196,898 | A | 3/1993 Tamura et al. | 6,553,812 | B2 | 4/2003 Park et al. |
| 5,197,569 | A | 3/1993 Roessler et al. | 6,557,396 | B2 | 5/2003 Ismail et al. |
| 5,200,027 | A | 4/1993 Lee et al. | 6,564,126 | B1 | 5/2003 Lin et al. |
| 5,203,680 | A | 4/1993 Waldrop | 6,568,919 | B1 | 5/2003 Fletcher et al. |
| D336,509 | S | 6/1993 Safford et al. | D485,189 | S | 1/2004 Montalbano et al. |
| D336,679 | S | 6/1993 Safford et al. | 6,851,676 | B2 | 2/2005 Martins et al. |
| 5,224,051 | A | 6/1993 Johnson | 6,932,856 | B2 | 8/2005 Rake |
| D338,158 | S | 8/1993 Poirier | 7,017,712 | B1 | 3/2006 Rake et al. |
| 5,249,455 | A | 10/1993 Cox | D527,639 | S | 9/2006 Voss et al. |
| 5,260,665 | A | 11/1993 Goldberg et al. | D528,425 | S | 9/2006 Van Dorin et al. |
| 5,262,732 | A | 11/1993 Dickert et al. | 7,140,468 | B2 | 11/2006 Rake et al. |
| 5,269,175 | A | 12/1993 Chmiel et al. | D573,885 | S | 7/2008 Considine et al. |
| 5,271,528 | A | 12/1993 Chien | D581,481 | S * | 11/2008 Edwards D23/211 |
| 5,273,134 | A | 12/1993 Hegemier et al. | D589,597 | S | 3/2009 Bloch et al. |
| 5,274,335 | A | 12/1993 Wang et al. | D589,807 | S | 4/2009 Gundrum et al. |
| 5,314,613 | A | 5/1994 Russo | D589,808 | S | 4/2009 Gundrum et al. |
| 5,317,252 | A | 5/1994 Kranbuehl | D589,809 | S | 4/2009 Gundrum et al. |
| 5,318,152 | A | 6/1994 Ehlert | 7,541,004 | B2 | 6/2009 Niksa et al. |
| 5,328,275 | A | 7/1994 Winn et al. | 7,862,875 | B2 | 1/2011 Bloch et al. |
| | | | 8,096,164 | B2 | 1/2012 Koehler |

| | | | |
|--------------|--------|-------------------|--------|
| D654,796 S * | 2/2012 | Wurth et al. | D9/528 |
| D658,062 S * | 4/2012 | Kim et al. | D9/528 |
| 8,147,683 B2 | 4/2012 | Wilson | |
| 8,147,684 B2 | 4/2012 | Wilson | |

FOREIGN PATENT DOCUMENTS

| | | |
|----|-----------|---------|
| CA | 122622 | 4/2009 |
| CA | 127724 | 5/2009 |
| CA | 127725 | 5/2009 |
| CA | 127726 | 5/2009 |
| DE | 37325 | 3/1968 |
| GB | 121092 | 12/1918 |
| JP | 2-308916 | 12/1990 |
| JP | 411132304 | 5/1999 |

OTHER PUBLICATIONS

Iotech Catalog, p. 65, Jan. 1995.
 "Model 958PF On-Line Ferrograph", *Foxboro Analytical*, (no month available) 1980, 4 pgs.
 958F Series On-Line Ferrograph Installation and Operation, The Foxboro Company, (no month available) 1980, 6 pgs.
 "Journal Reprints", The British Institute of Non-Destructive Testing, M.H. Jones and A.R. Massoudi, *Insight*, vol. 37 No. 8, Aug. 1995. pp. 606-610.
 "Basics of Measuring the Dielectric Properties of Materials", Hewlett Packard, (no month available) 1992, No. 1217-1.

"The Nist 60-Millimeter Diameter Cylindrical Cavity Resonator: Performance Evaluation for Permittivity Measurements", Eric J. Vanzura, Richard G. Geyer and Michael D. Janezic, Aug. 1993, National Institute of Standards and Technology Technical Note. Measuring Moisture in Liquids; A New Method, *Sensors*, Dec. 1996 pp. 42-47.
 Sensor Mediated in Situ Measurement of Moisture in Organic Liquids, Phys-Chem Scientific Corp. sales literature, date unknown.
 "Hydraulic and Lubrication Systems Solutions: Water Sensor—An Essential tool for fluid condition monitoring" Pall Corporation sales literature, date unknown.
 Environmental Solutions for the Military: Pall Portable Fluid Purifier, not dated; Pall Corporation web site address: [www.pall.com/ environ/military/solutions/products/purifier.html](http://www.pall.com/environ/military/solutions/products/purifier.html).
 Pall Water Sensor: An essential tool for fluid condition monitoring; Pall Corporation sales literature, date unknown.
 "Advancement of Predict/DLI Industrial Sensors", M.A. Cheiky-Zelina, R.W. Brown and D.E. Schuele, Department of Physics, Case Western Reserve University, Mar. 1997.
 Filtration Products, Solutions for Tomorrow's Challenges, Trico sales literature, 7 pages, date unknown.
 Mobile Filtration System, Oil Service Products sales literature, 1 page, date unknown.
 Mobile Filtration Systems, Schroeder Industries LLC, 2 pages, date unknown.

* cited by examiner

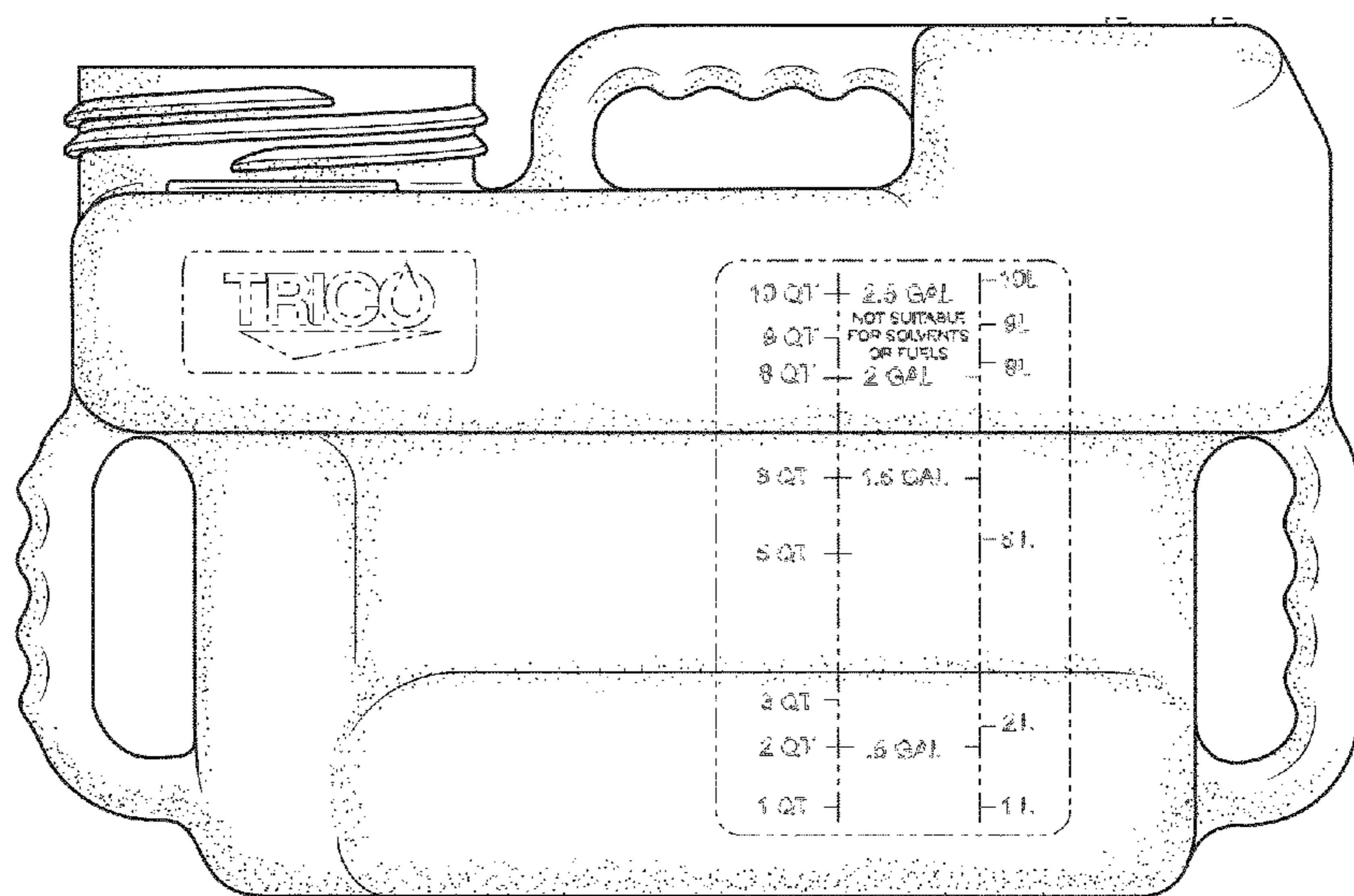
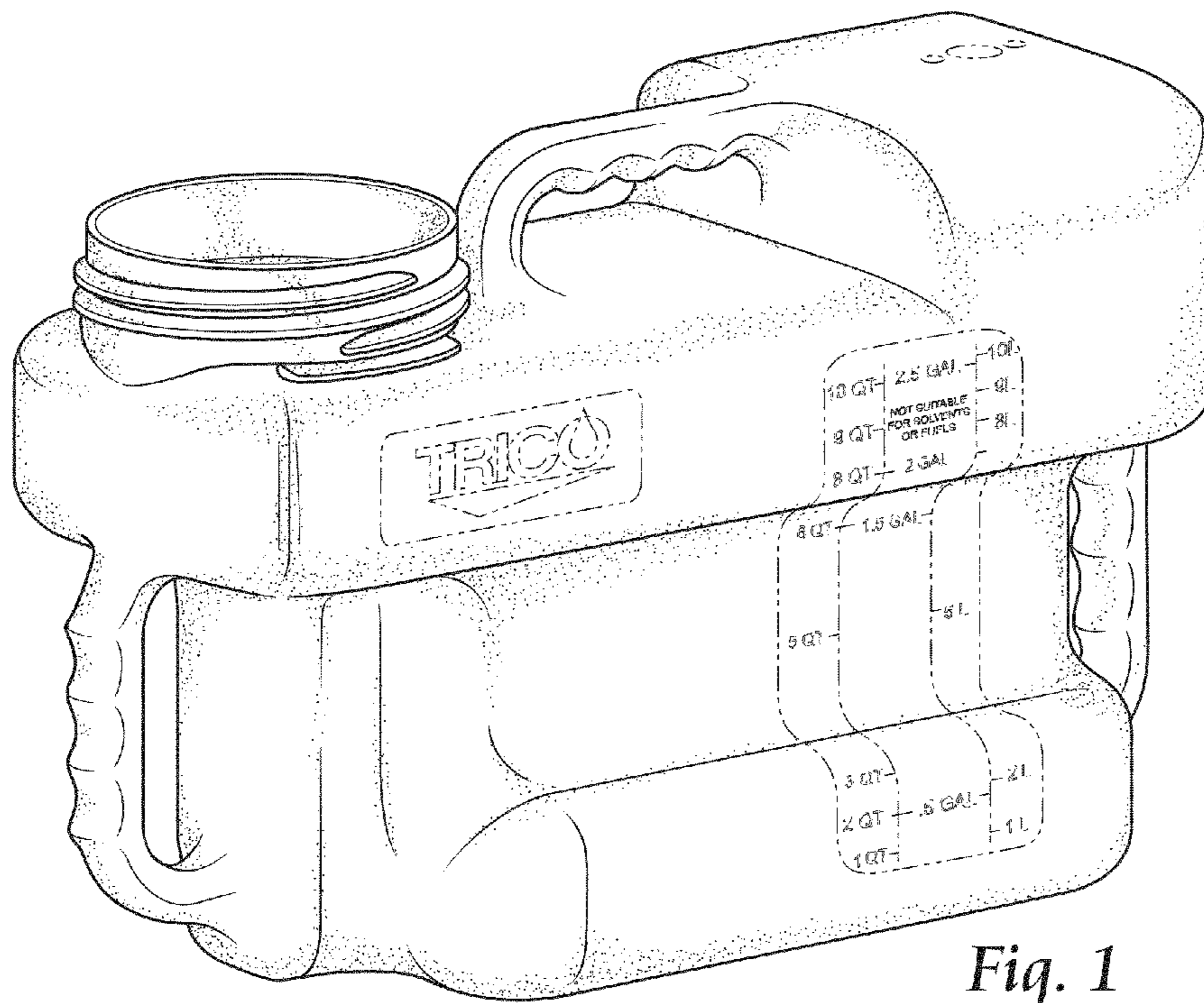


Fig. 3

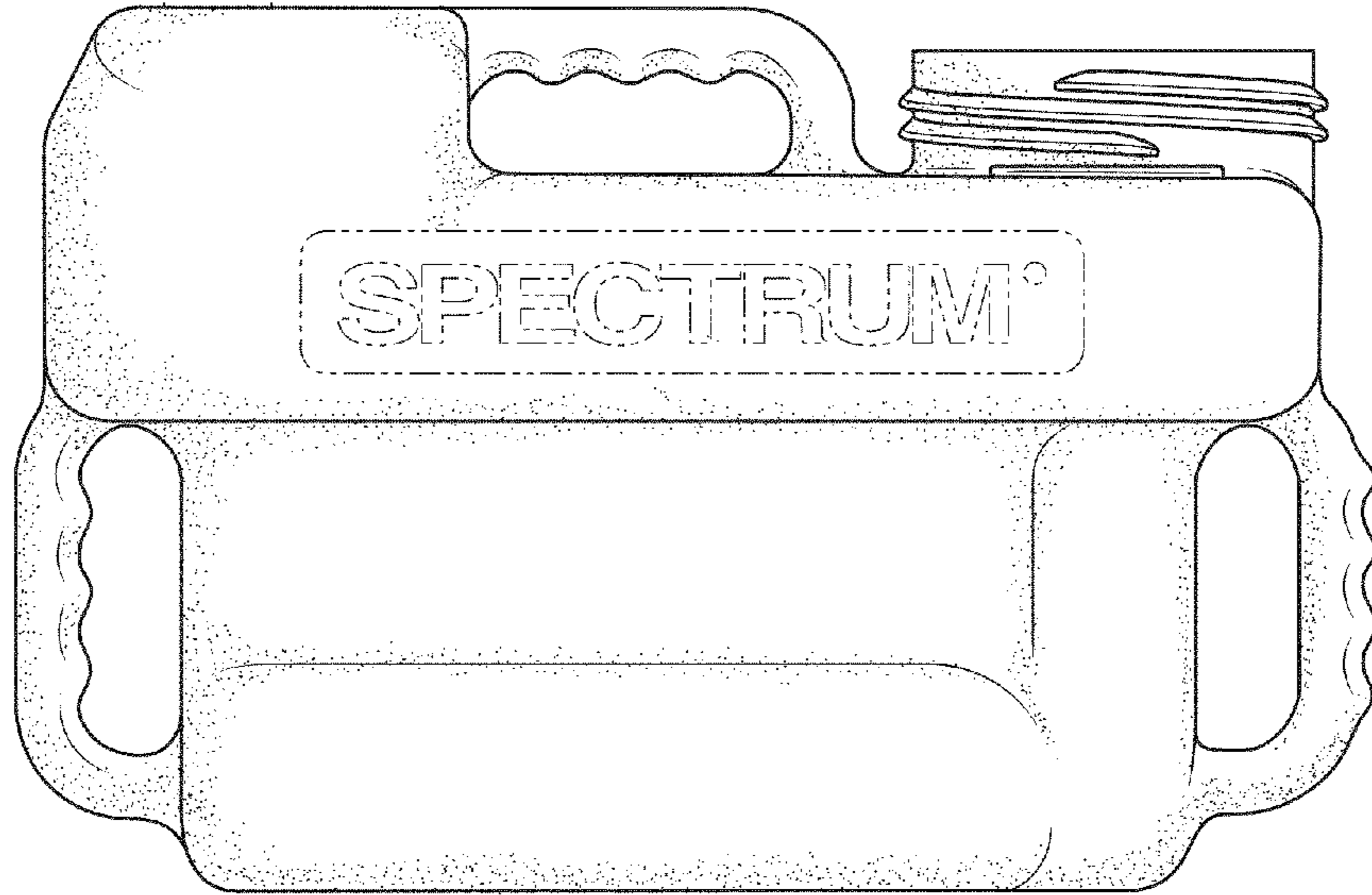


Fig. 4

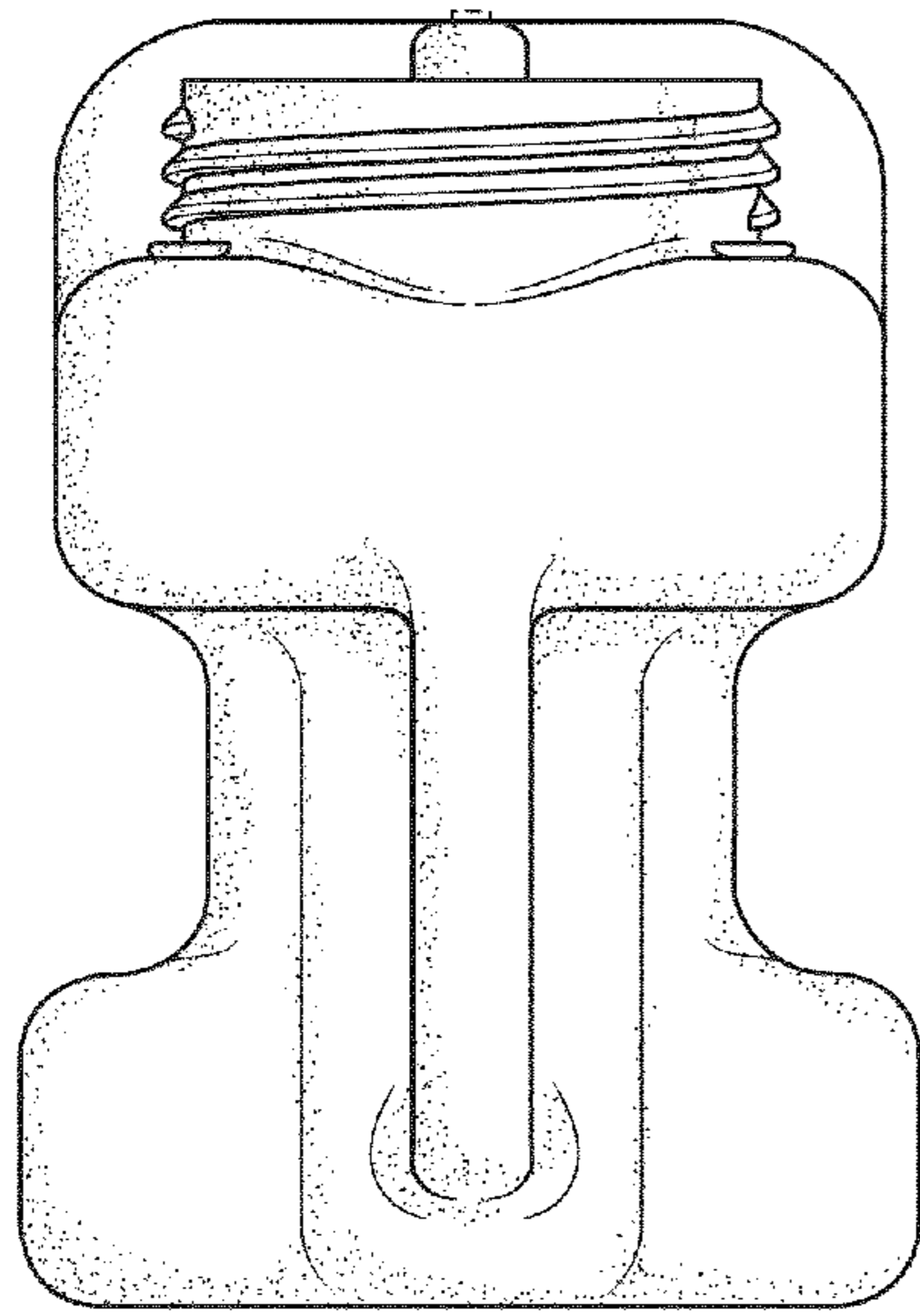
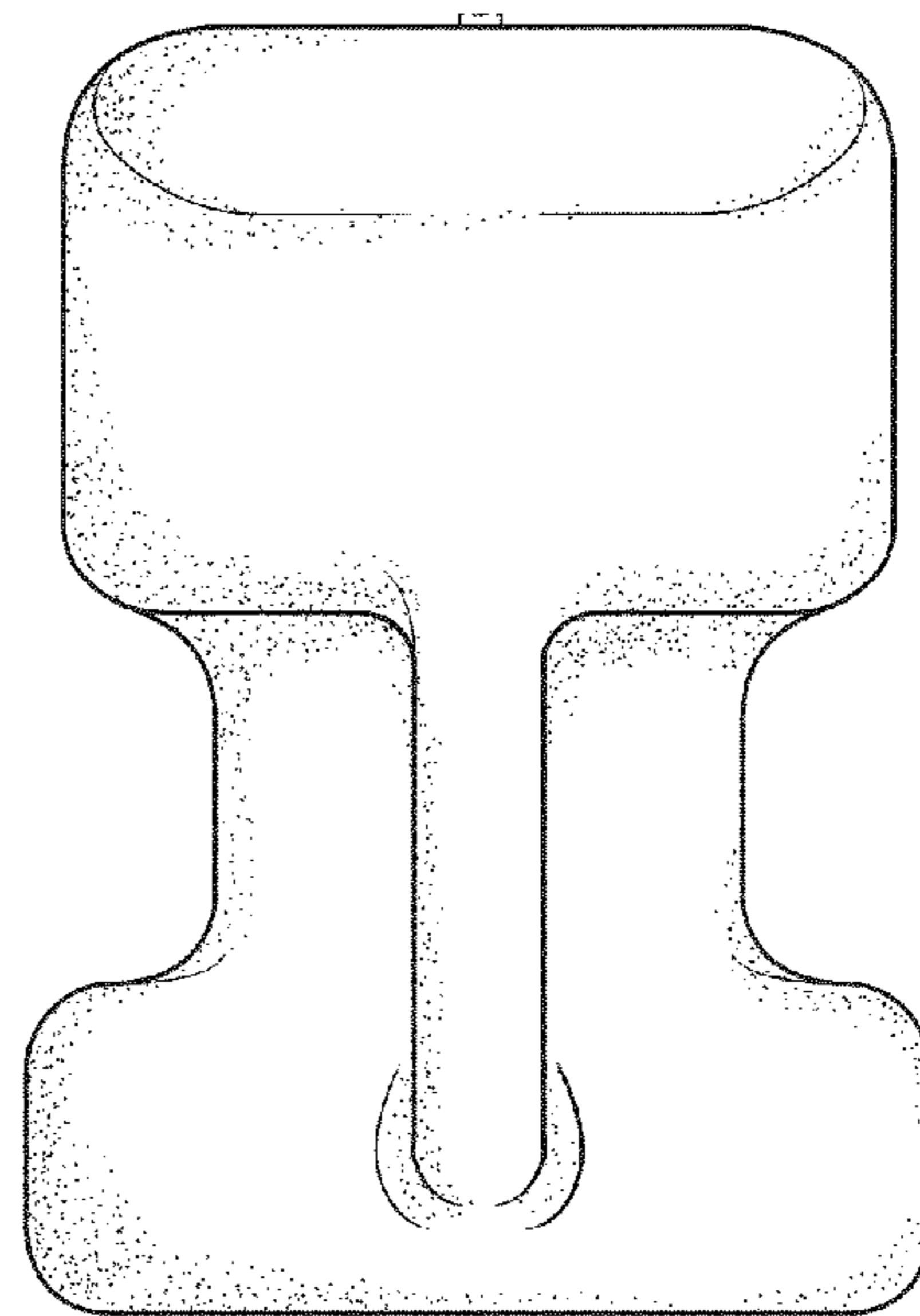


Fig. 5



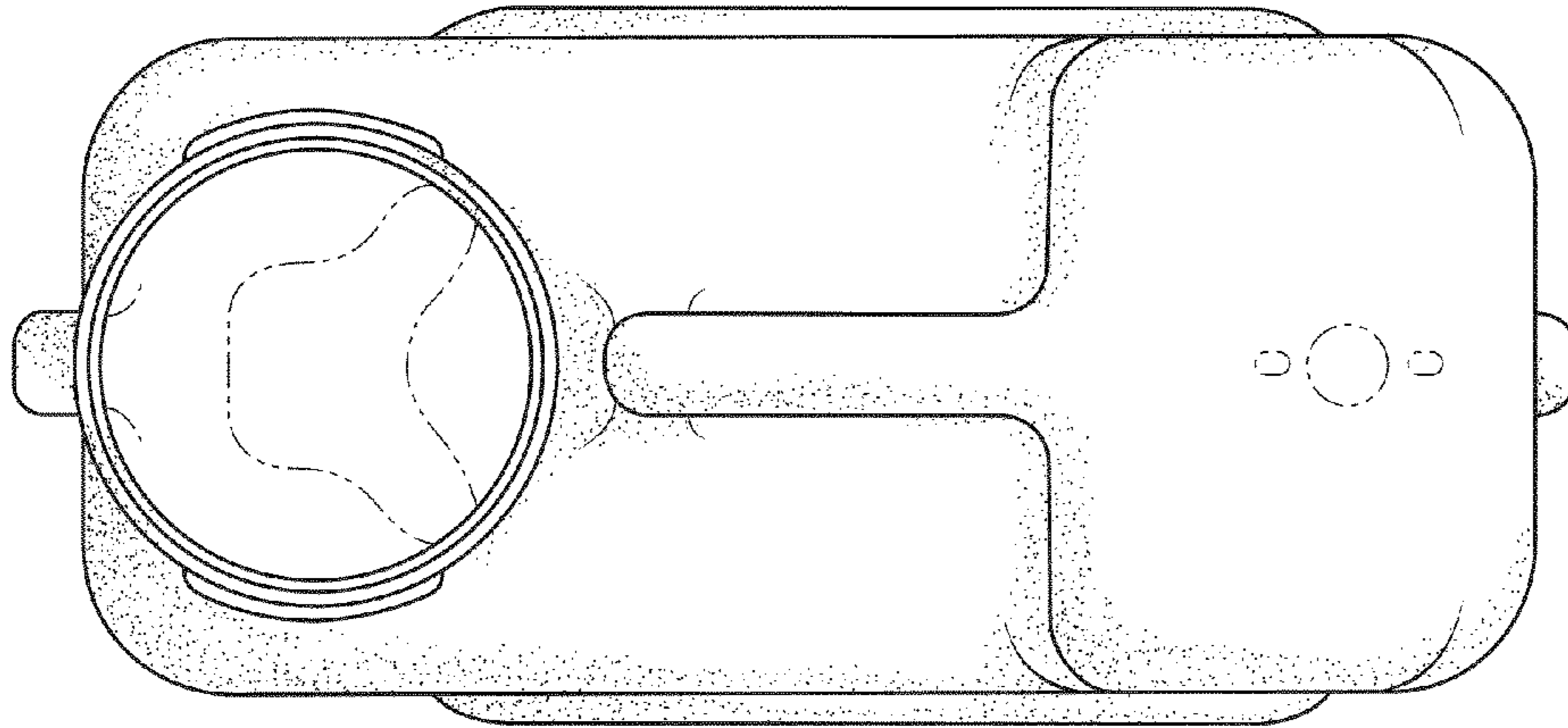


Fig. 6

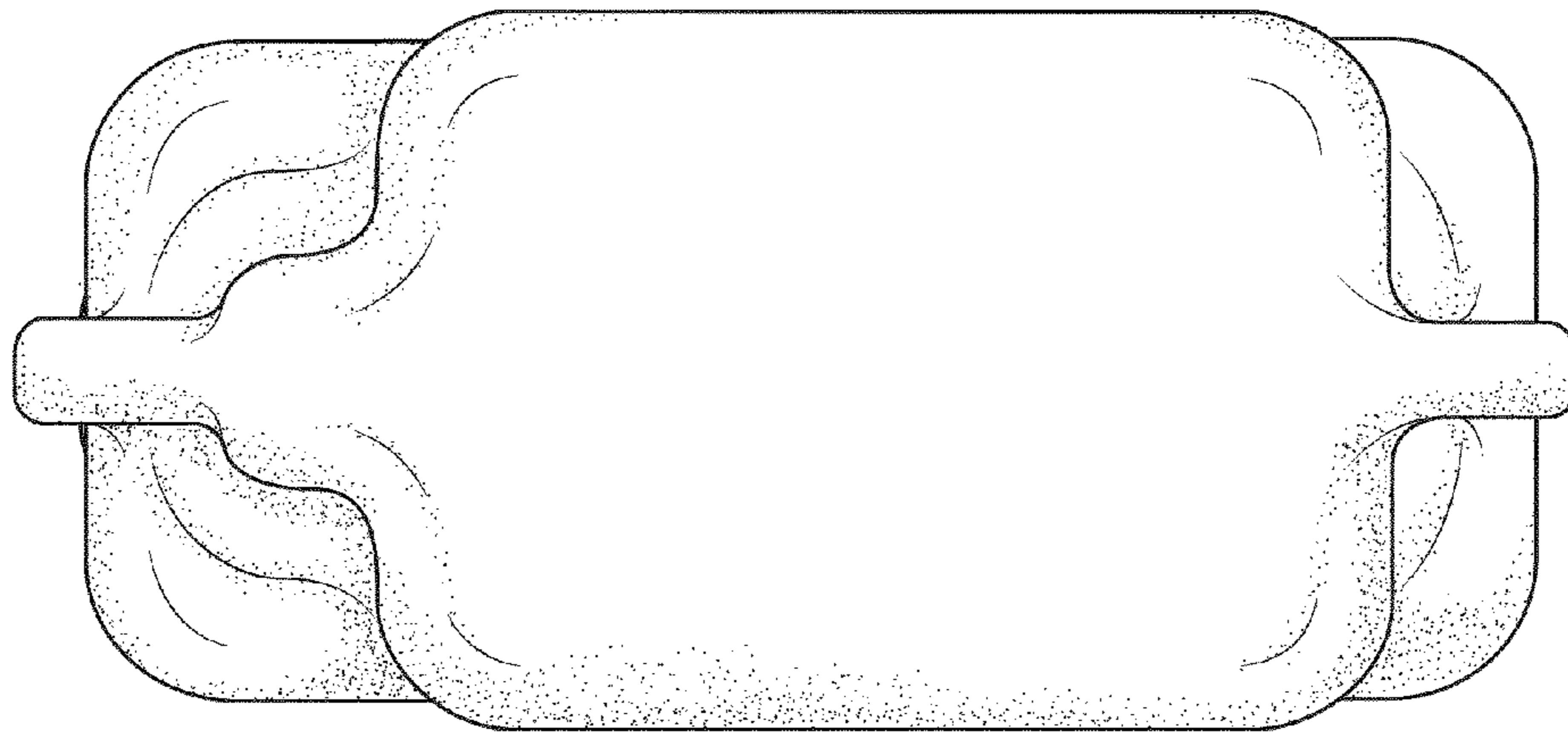


Fig. 7