



US00D687916S

(12) **United States Design Patent**
Burzel et al.

(10) **Patent No.:** **US D687,916 S**

(45) **Date of Patent:** **** Aug. 13, 2013**

(54) **CONTROL KNOB FOR A RIFLE TELESCOPE**

(71) Applicant: **Cassidian Optronics GmbH**,
Oberkochen (DE)

(72) Inventors: **Timo Burzel**, Lahnau-Waldgirmes (DE);
Andreas Schneider,
Huettenberg/Rechtenbach (DE)

(73) Assignee: **Cassidian Optronics GmbH**,
Oberkochen (DE)

(**) Term: **14 Years**

(21) Appl. No.: **29/444,702**

(22) Filed: **Feb. 1, 2013**

Related U.S. Application Data

(62) Division of application No. 29/405,097, filed on Oct.
28, 2011.

(51) **LOC (9) Cl.** **22-01**

(52) **U.S. Cl.**
USPC **D22/109**

(58) **Field of Classification Search**
USPC D22/109-110; D16/132, 130, 133,
D16/330, 134; 42/111, 133, 119, 122;
359/399, 823, 744
See application file for complete search history.

(56) **References Cited**

U.S. PATENT DOCUMENTS

3,222,987	A *	12/1965	Wrigglesworth	359/794
4,012,966	A *	3/1977	Lieberman et al.	74/553
4,038,757	A *	8/1977	Hicks et al.	42/122
5,513,440	A *	5/1996	Murg	42/122
6,519,890	B1 *	2/2003	Ottoman	42/122
6,691,447	B1 *	2/2004	Ottoman	42/122
7,088,506	B2 *	8/2006	Regan et al.	359/425

7,415,791	B2 *	8/2008	Williams et al.	42/122
7,827,725	B1	11/2010	Hagler		
7,934,335	B2 *	5/2011	Halverson	42/137
7,997,163	B2 *	8/2011	Casas	74/553
8,006,429	B2 *	8/2011	Windauer	42/122
8,166,696	B2	5/2012	Hamilton		
8,166,697	B1	5/2012	Sueskind		
2003/0140545	A1 *	7/2003	Huber	42/122
2006/0278035	A1 *	12/2006	Casas	74/553
2011/0314720	A1	12/2011	Cheng		
2012/0154907	A1	6/2012	Schmitt et al.		
2012/0167444	A1	7/2012	Adkins et al.		
2012/0186131	A1	7/2012	Windauer		

* cited by examiner

Primary Examiner — Michael A Pratt

(74) *Attorney, Agent, or Firm* — Walter Ottesen P.A.

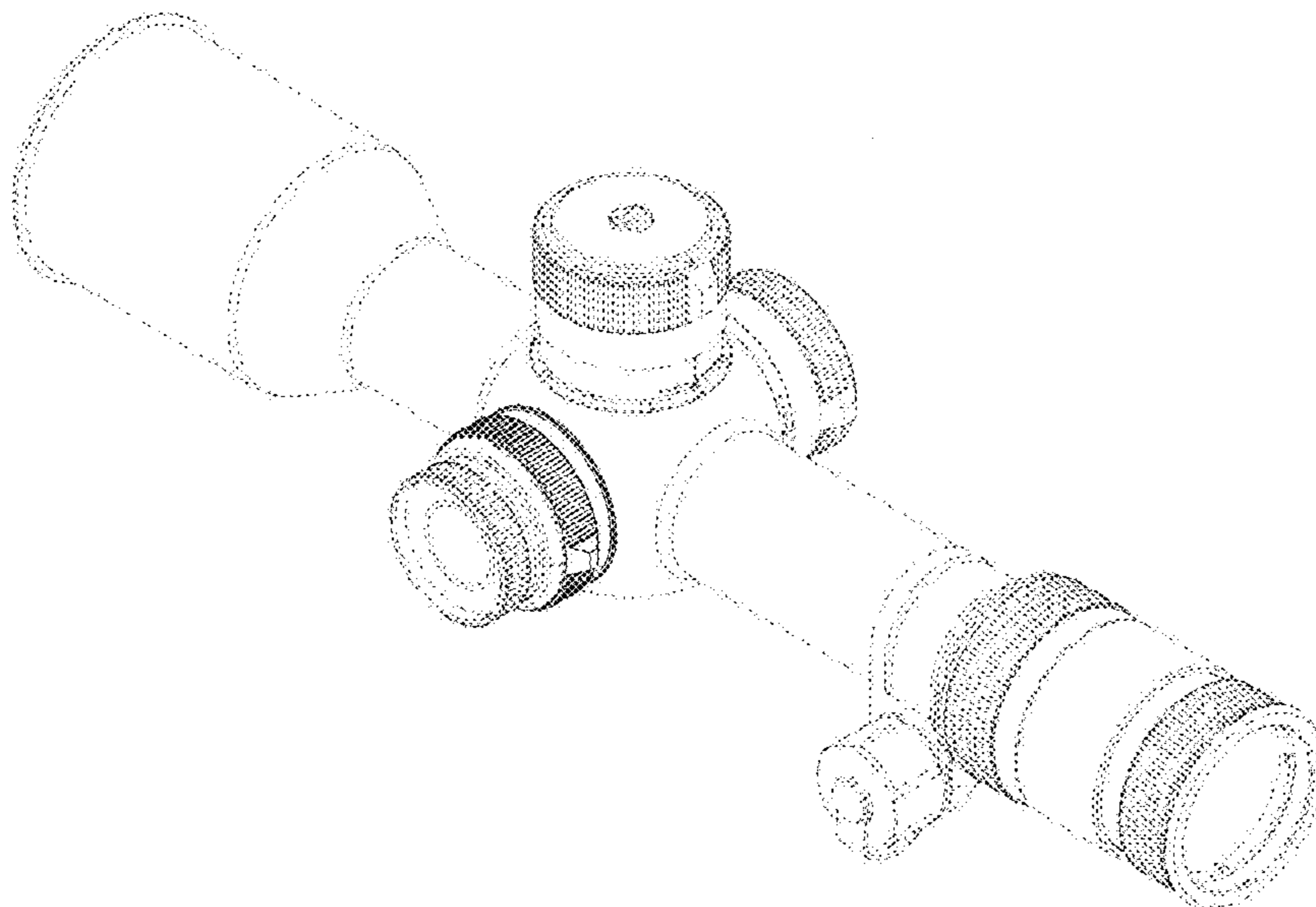
(57) **CLAIM**

The ornamental design for a control knob for a rifle telescope,
as shown and described.

DESCRIPTION

FIG. 1 is a perspective of an embodiment of the control knob of our new design shown mounted on a rifle scope;
FIG. 2 is a top perspective of the control knob of FIG. 1;
FIG. 3 is a bottom perspective of the control knob of FIG. 1;
FIG. 4 is a top plan view of the control knob of FIG. 1;
FIG. 5 is a bottom plan view of the control knob of FIG. 1;
FIG. 6 is a left side elevation view of the control knob of FIG. 1;
FIG. 7 is a right side elevation view of the control knob of FIG. 1;
FIG. 8 is a front elevation view of the control knob of 1; and,
FIG. 9 is a rear elevation view of the control knob of FIG. 1.
The rifle telescope body shown by dashed lines in FIG. 1 is for illustrative purposes only and forms no part of the claimed design.

1 Claim, 4 Drawing Sheets



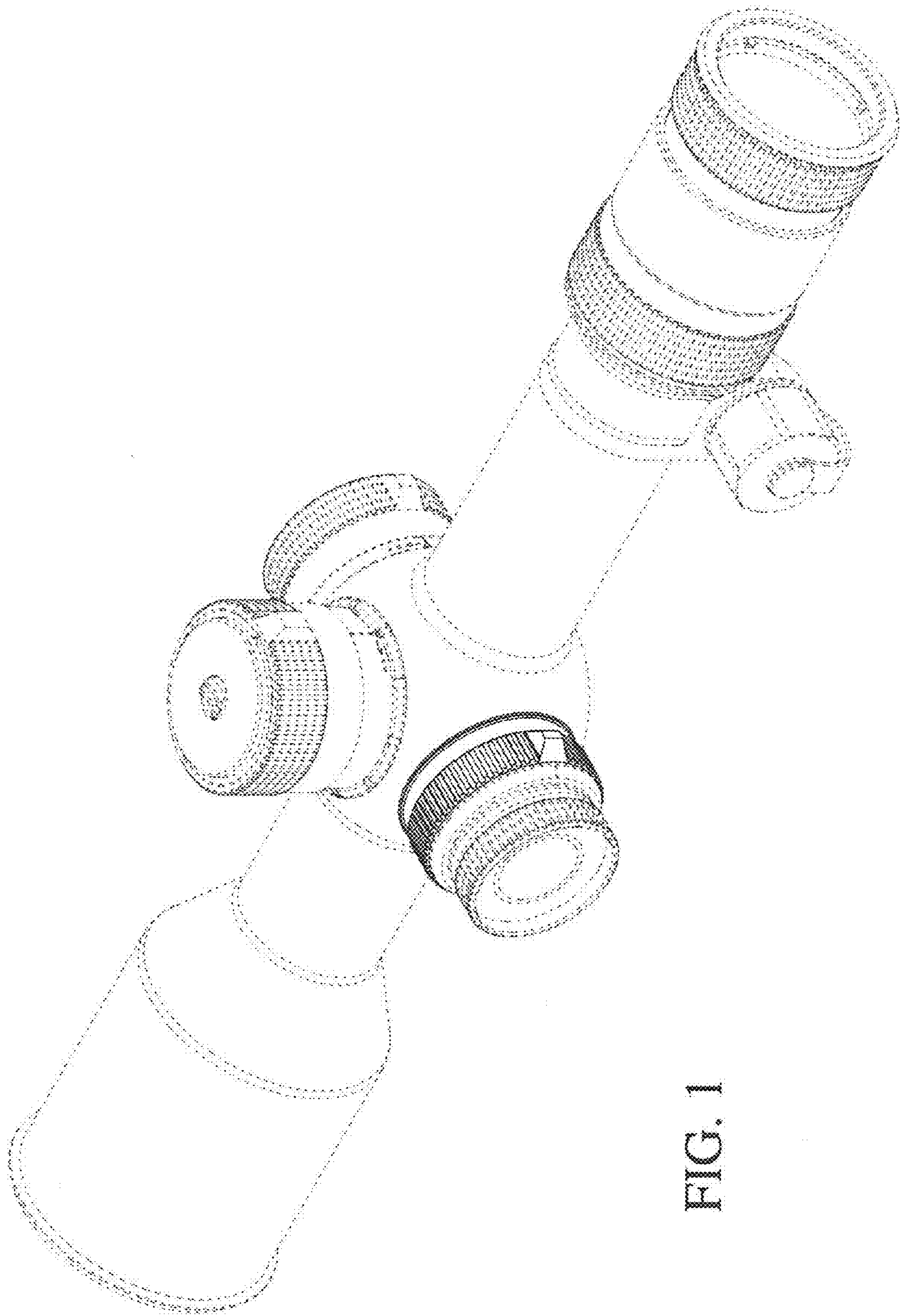


FIG. 1

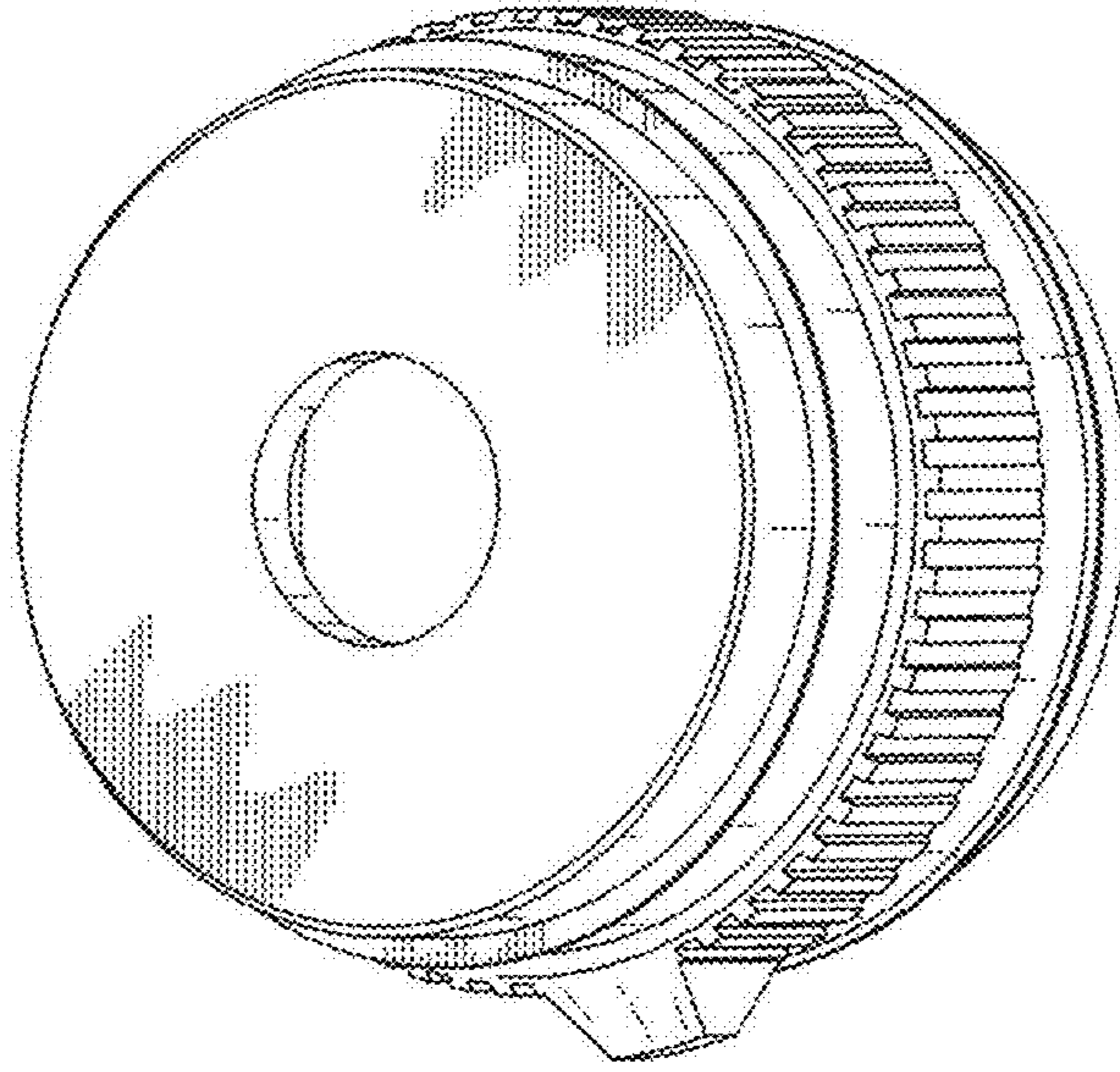


FIG. 3

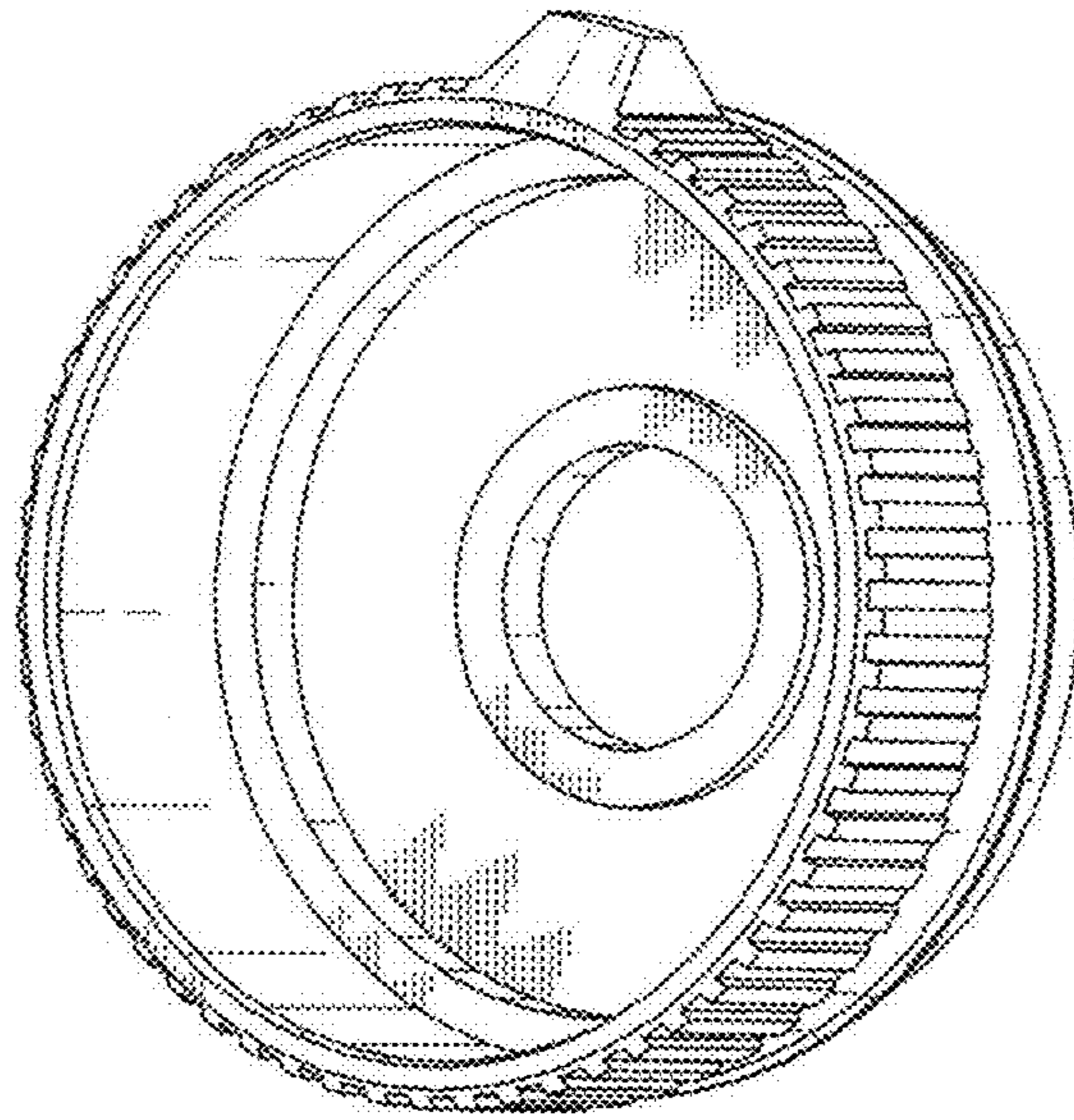


FIG. 2

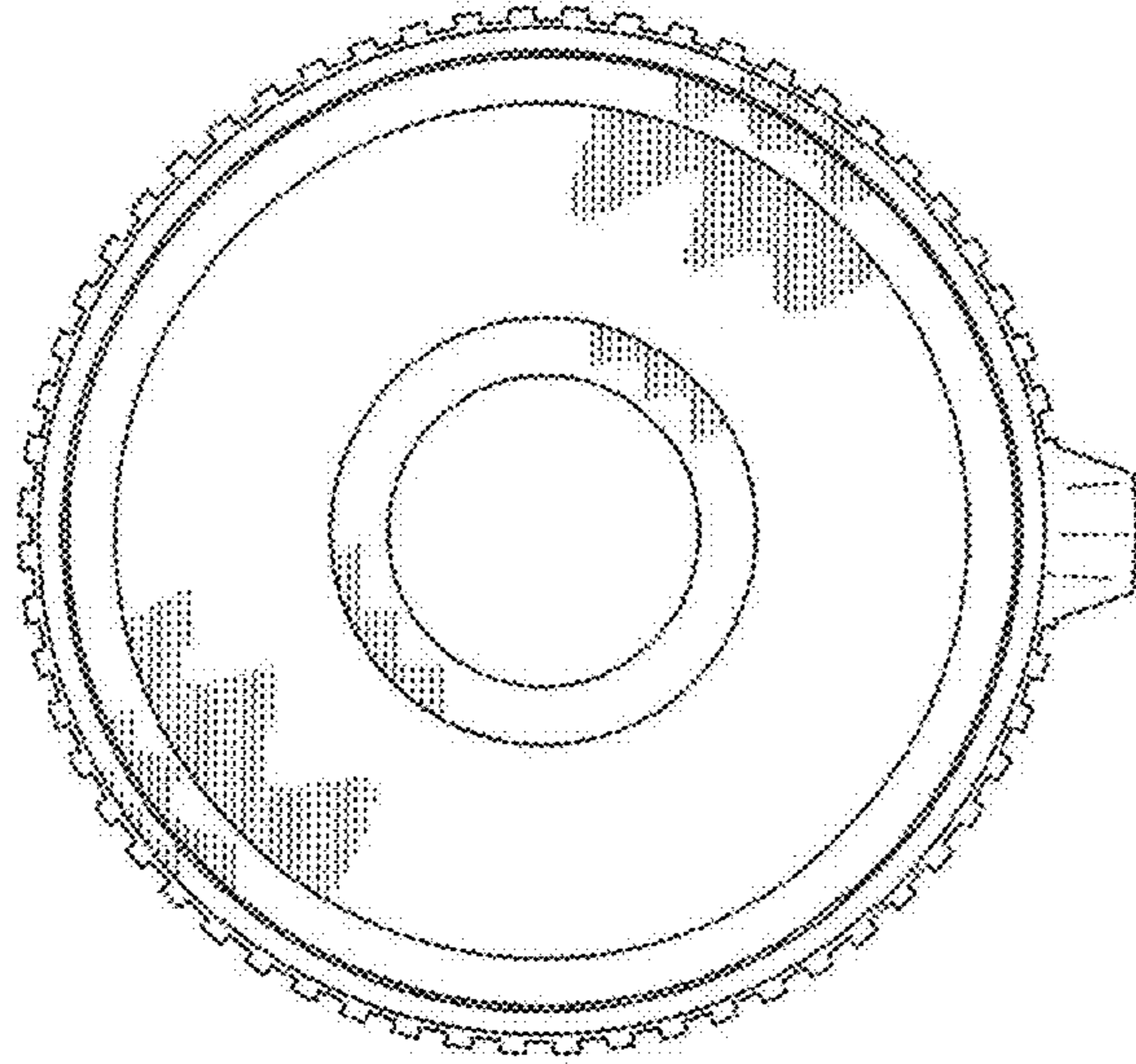


FIG. 4

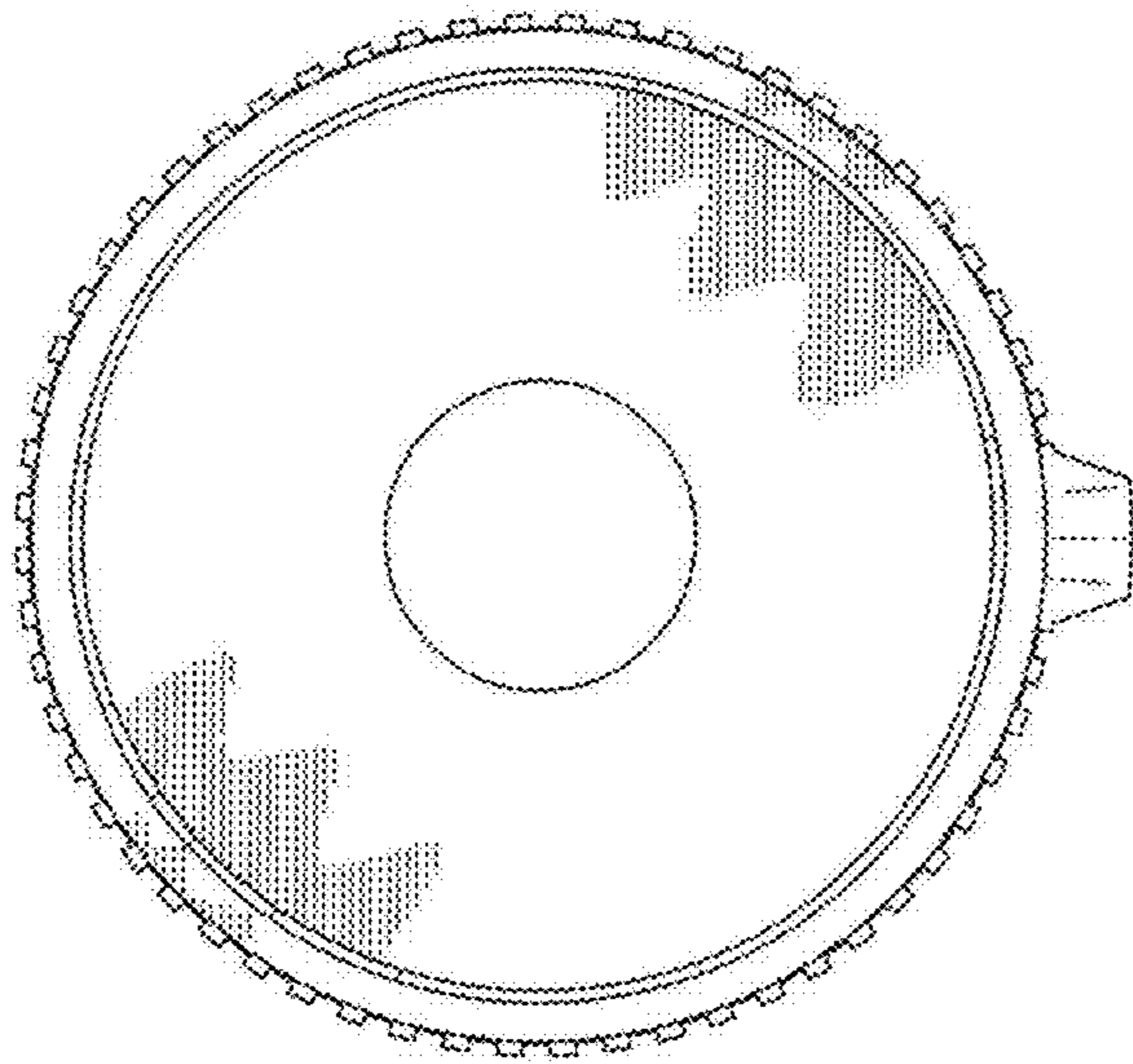


FIG. 5

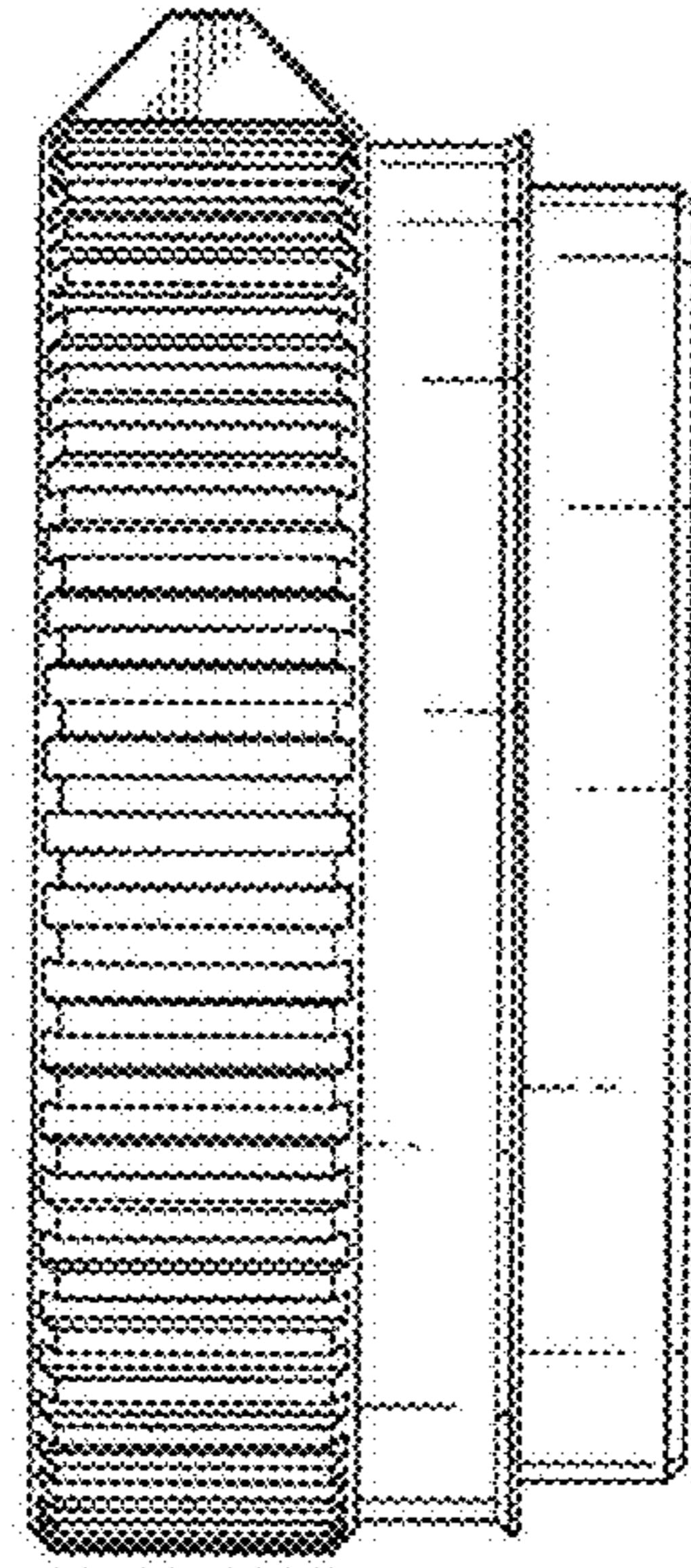


FIG. 7

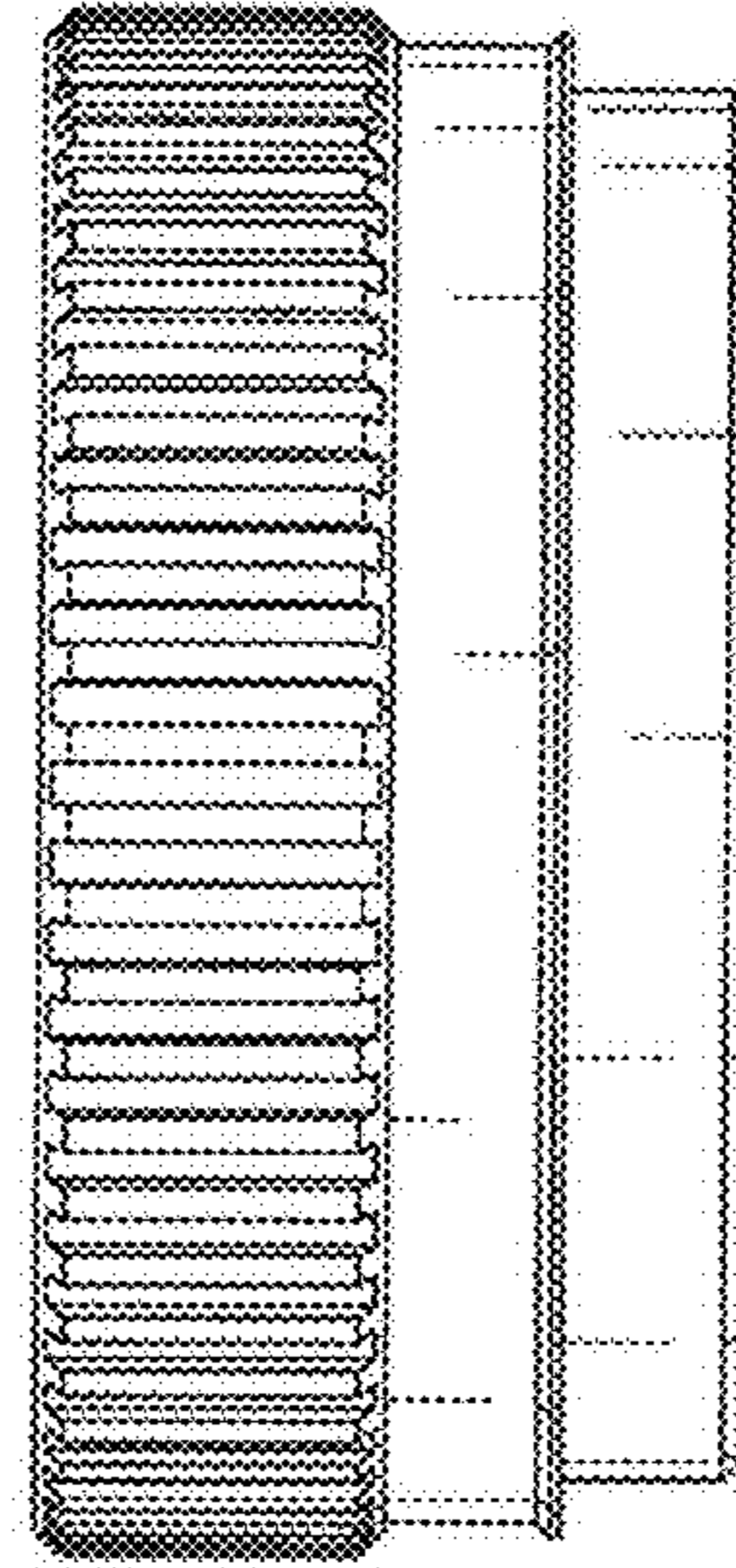


FIG. 9

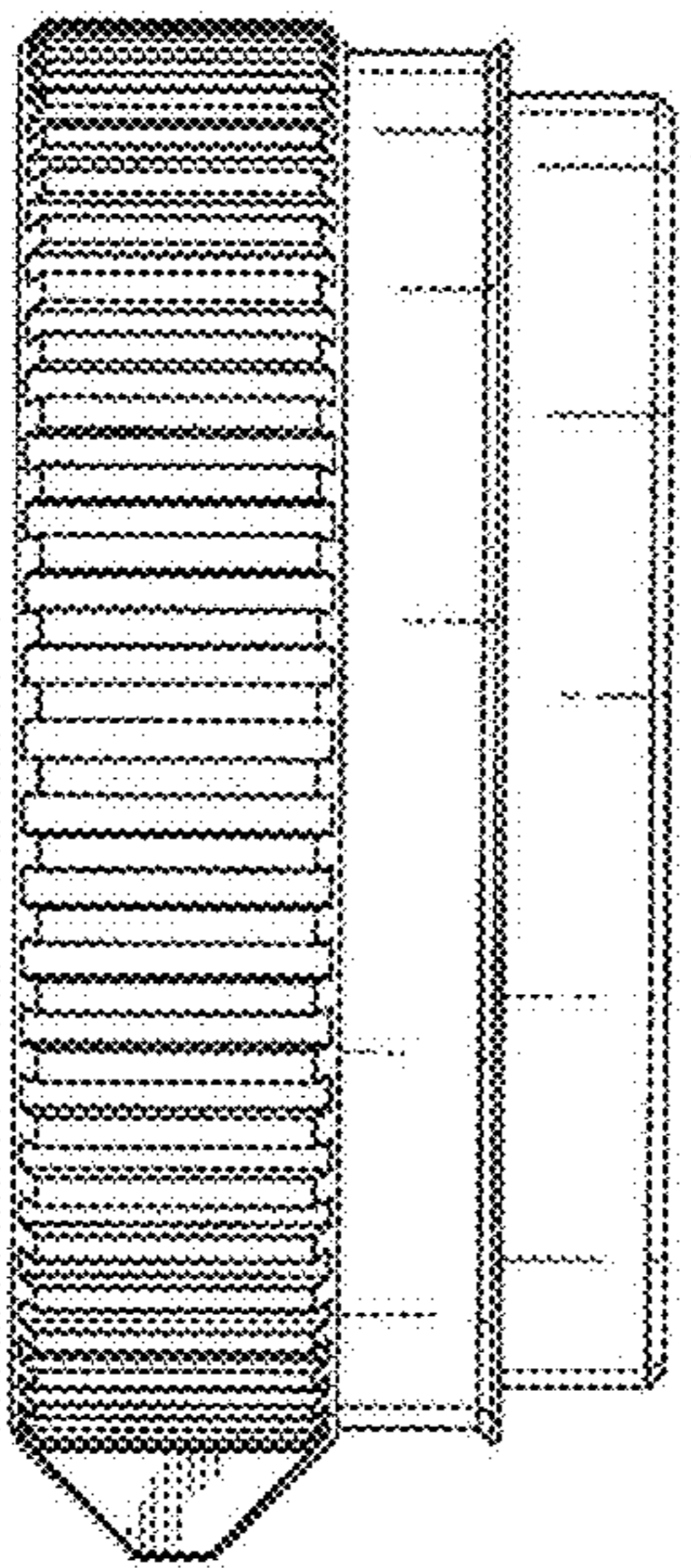


FIG. 6

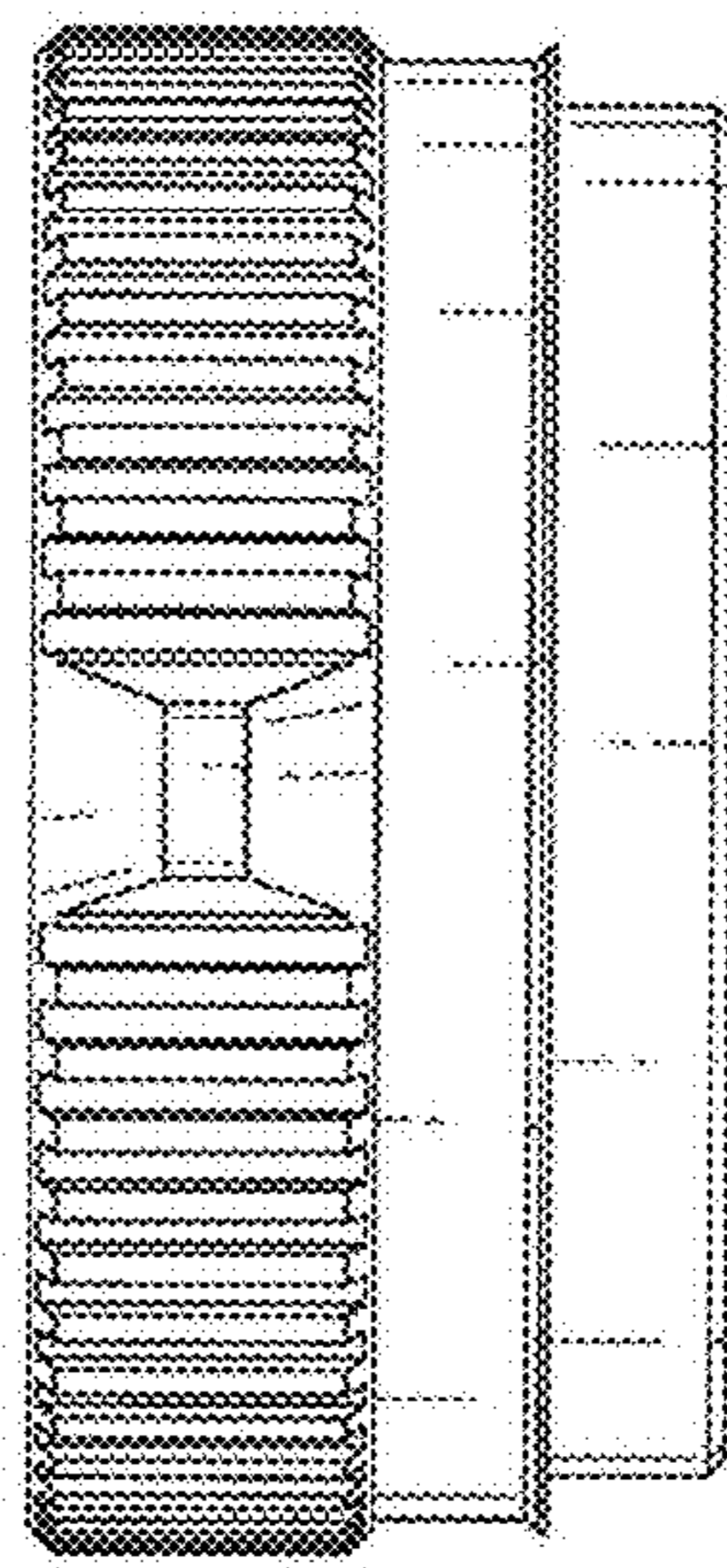


FIG. 8