



US00D687915S

(12) **United States Design Patent**
Adcock, Jr.

(10) **Patent No.:** **US D687,915 S**
(45) **Date of Patent:** **** Aug. 13, 2013**

(54) **FLIP-UP GUN SIGHT**

(76) Inventor: **Torrance L. Adcock, Jr.**, Bethesda, MD
(US)

(**) Term: **14 Years**

(21) Appl. No.: **29/417,895**

(22) Filed: **Apr. 10, 2012**

(51) **LOC (9) Cl.** **22-01**

(52) **U.S. Cl.**
USPC **D22/109**

(58) **Field of Classification Search**
USPC D22/108-109; 42/111-128; 89/1.61,
89/200-204

See application file for complete search history.

(56) **References Cited**

U.S. PATENT DOCUMENTS

561,360	A	6/1896	Taylor	
805,770	A	11/1905	Bassell et al.	
1,363,553	A *	12/1920	Barringer	42/145
4,375,725	A	3/1983	Orlob	
5,822,872	A	10/1998	Waki	
5,878,521	A	3/1999	Warnock	
6,058,616	A *	5/2000	Bubits	42/144
6,321,479	B1	11/2001	Sheehan	
6,732,467	B1	5/2004	Luth	
D526,380	S	8/2006	Swan	

D565,144	S *	3/2008	Price	D22/109
7,356,962	B2	4/2008	Swan		
D584,788	S *	1/2009	Price	D22/109
7,562,486	B2	7/2009	LoRocco		
D635,634	S *	4/2011	Swan	D22/109
D637,259	S *	5/2011	Swan	D22/109
D637,261	S *	5/2011	Swan	D22/109
7,946,072	B2 *	5/2011	Tsai	42/129
8,261,481	B1 *	9/2012	Shebaro	42/113
2007/0240354	A1	10/2007	Warren		

* cited by examiner

Primary Examiner — Michael A Pratt

(74) *Attorney, Agent, or Firm* — John P. McGonagle

(57) **CLAIM**

The ornamental design for a flip-up gun sight, as shown and described.

DESCRIPTION

FIG. 1 is a rear view of a flip-up gun sight showing my new design, wherein a partial view of the rear portion of a hand gun is shown in broken lines for illustrative purposes only and forms no part of the claimed design;

FIG. 2 is a rear perspective view thereof;

FIG. 3 is a right side view thereof;

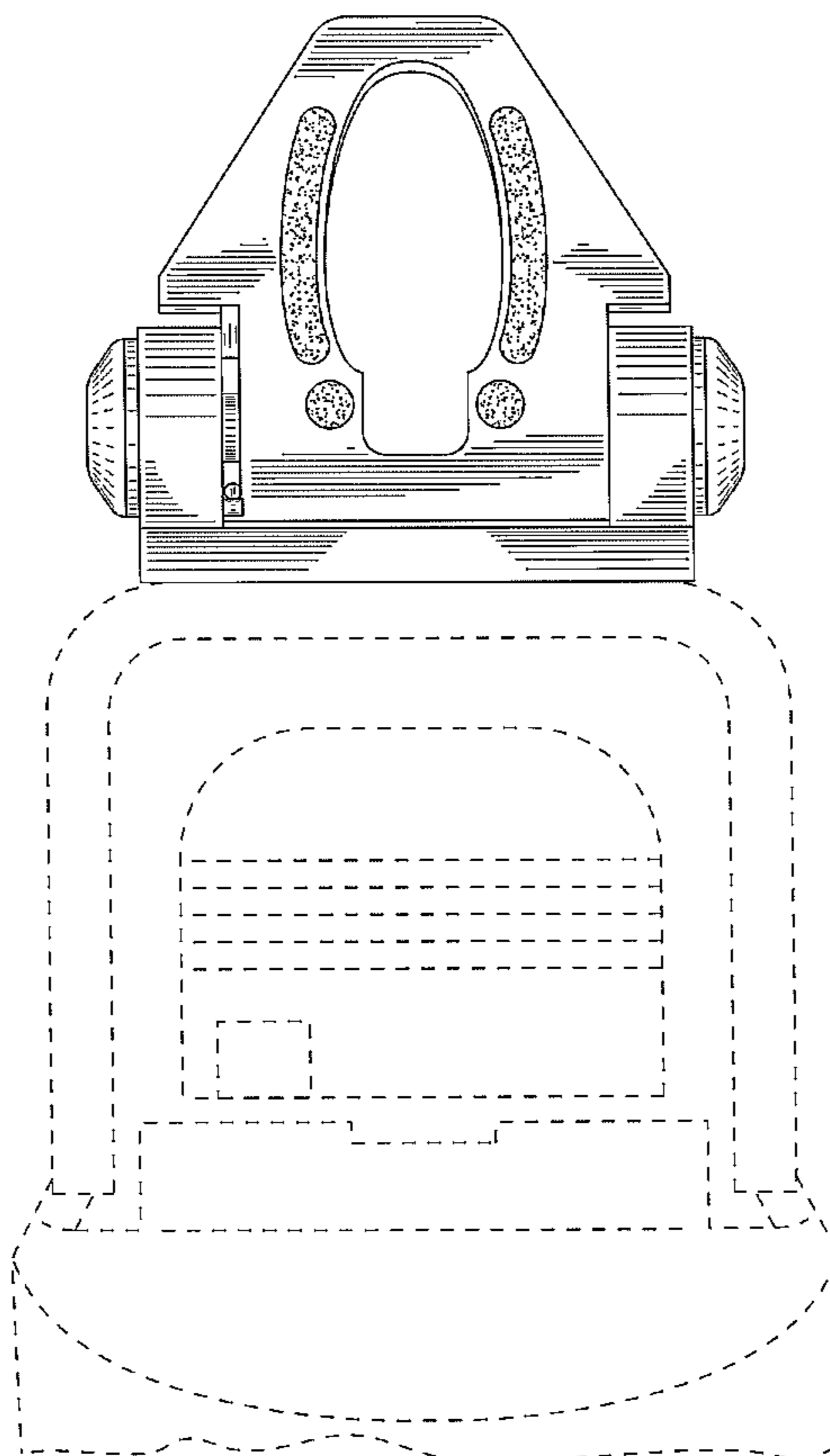
FIG. 4 is a top view thereof;

FIG. 5 is a front view thereof;

FIG. 6 is a bottom view thereof; and,

FIG. 7 is a left side view thereof.

1 Claim, 3 Drawing Sheets



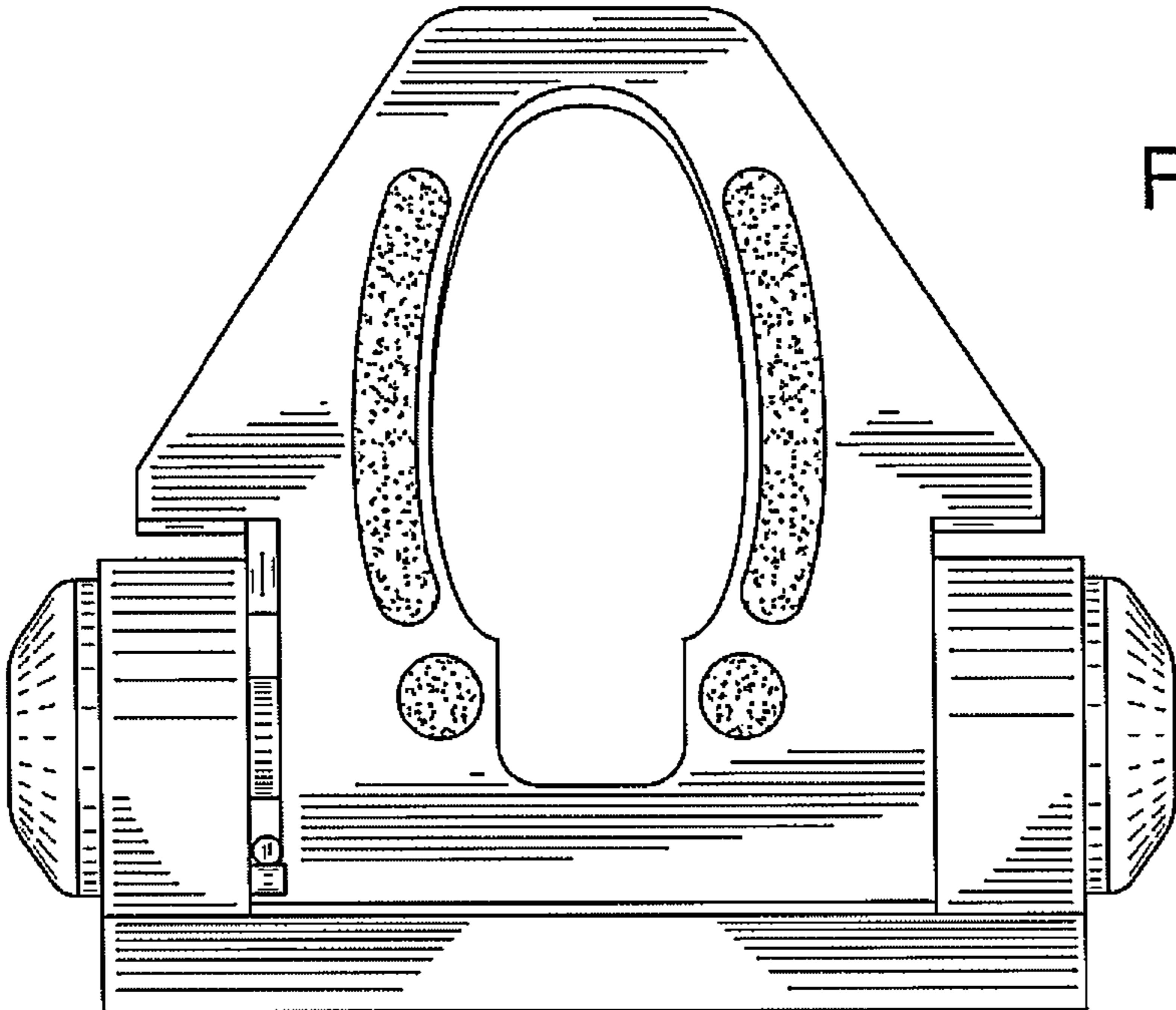
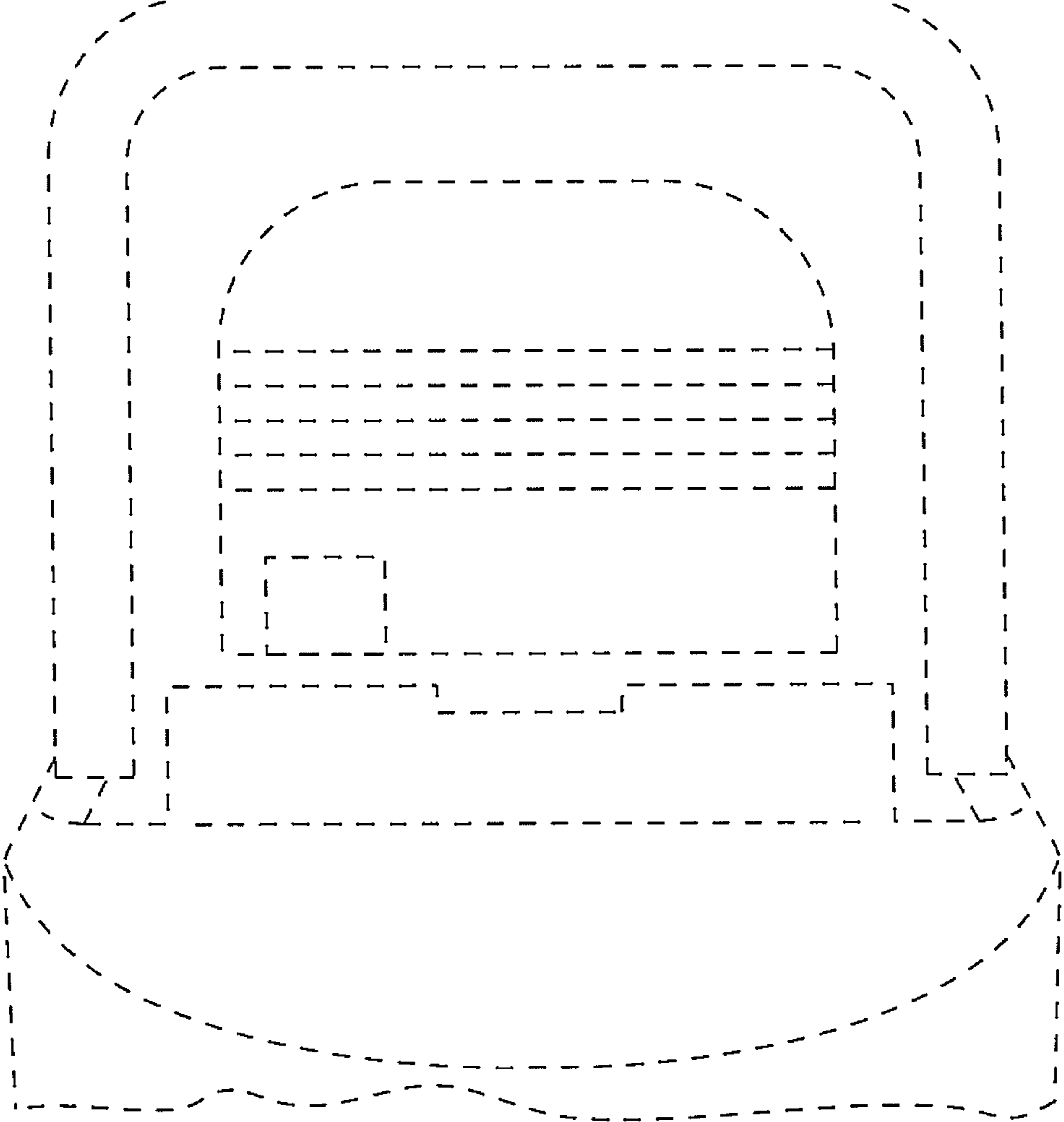


FIG. 1



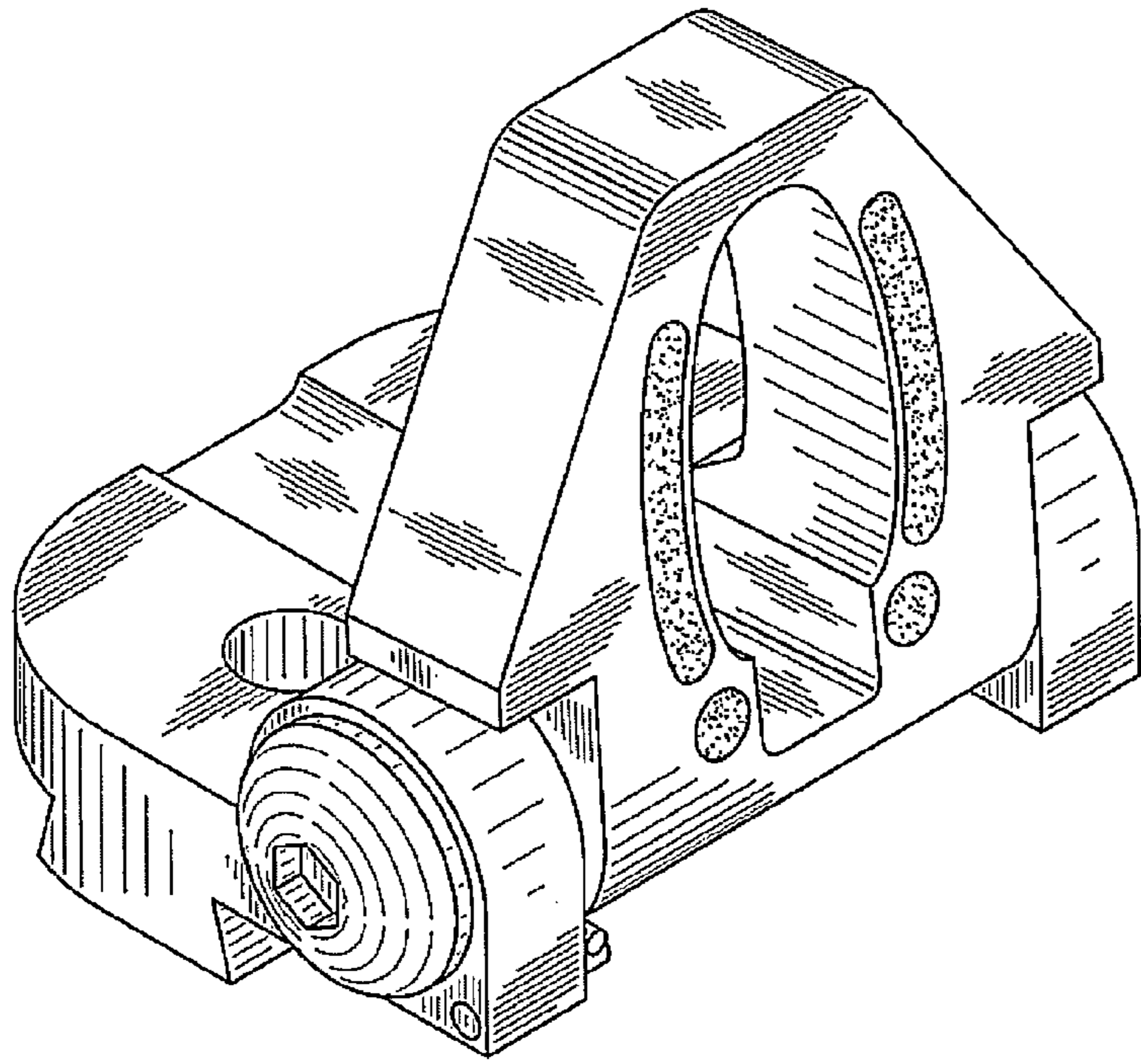


FIG. 2

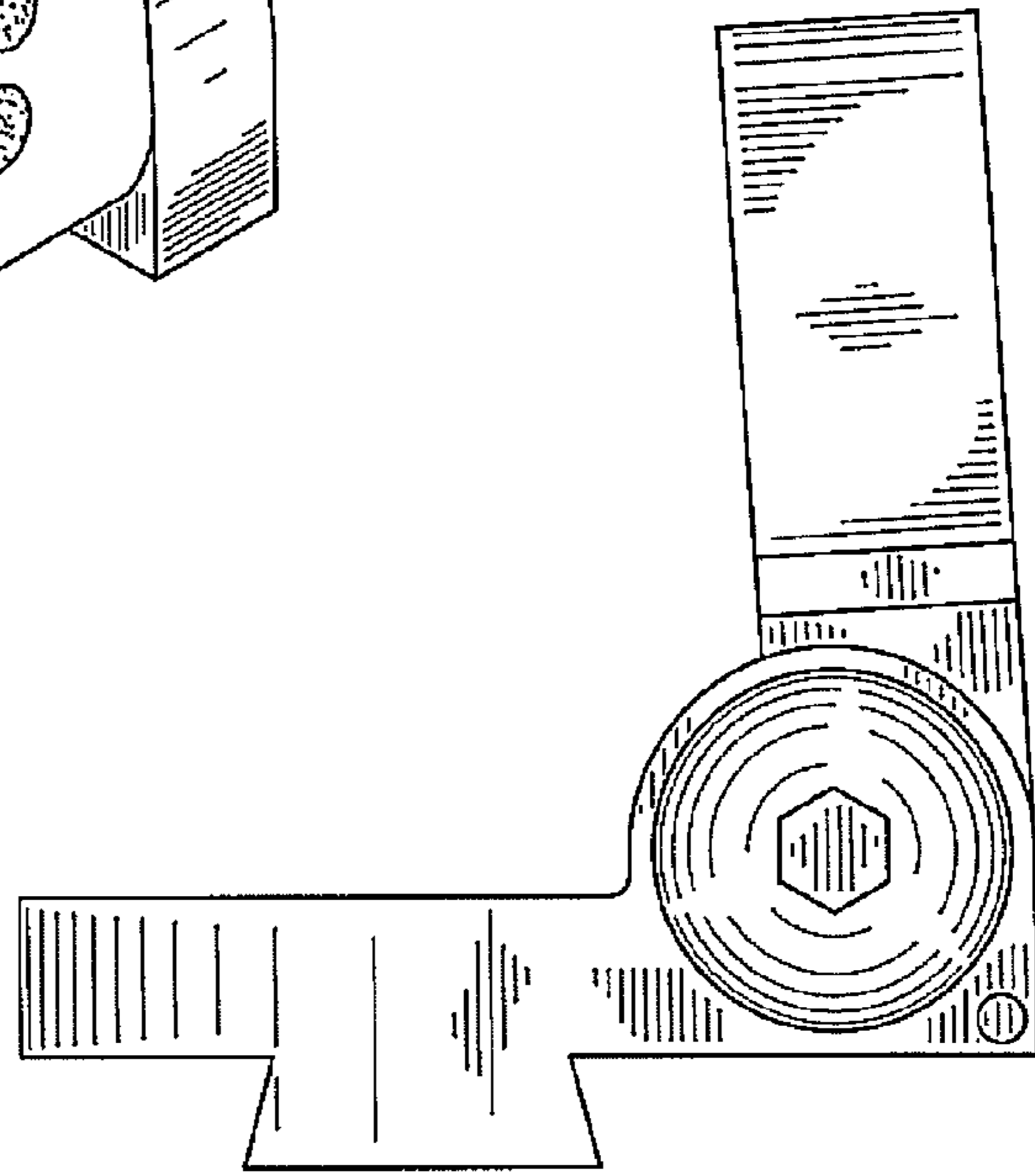


FIG. 3

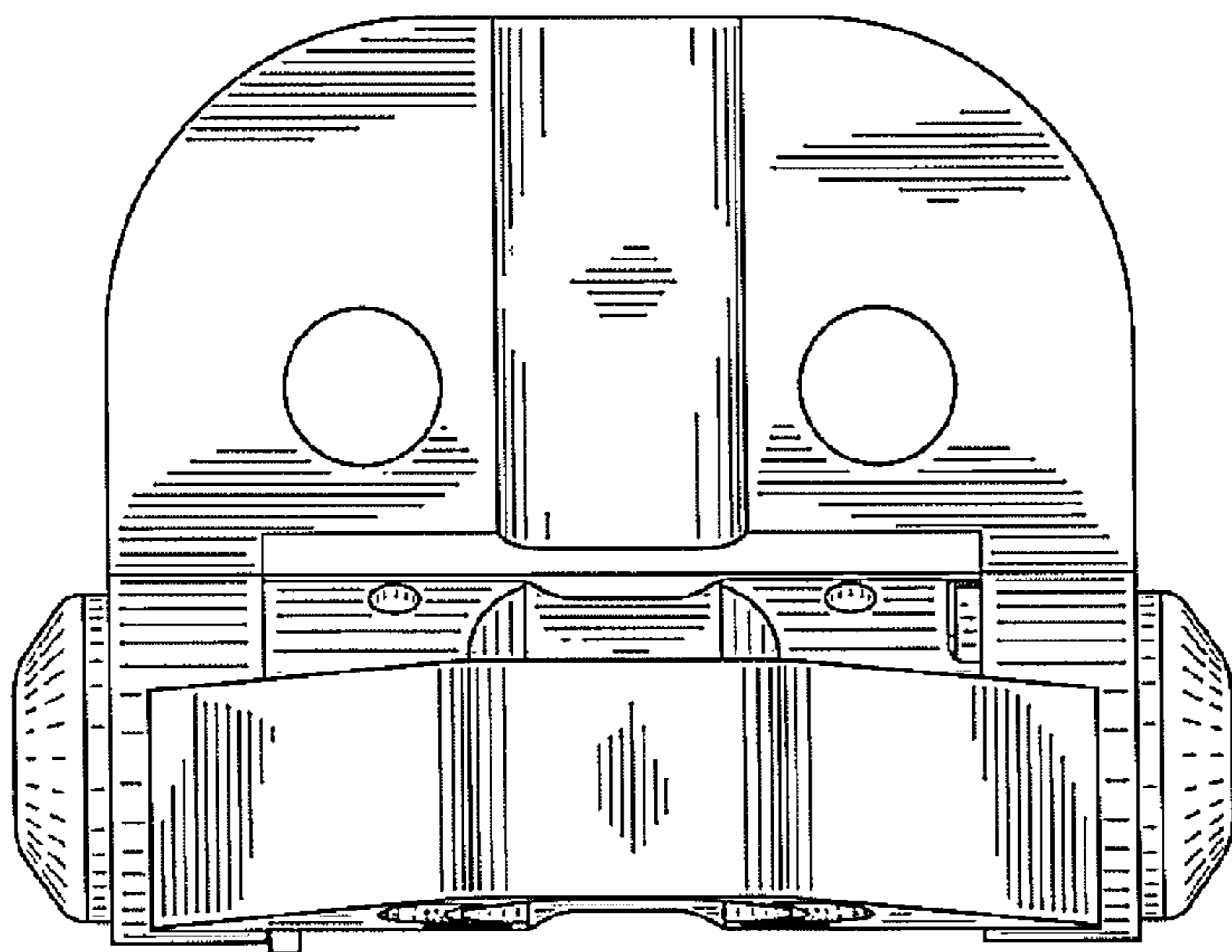


FIG. 4

FIG. 5

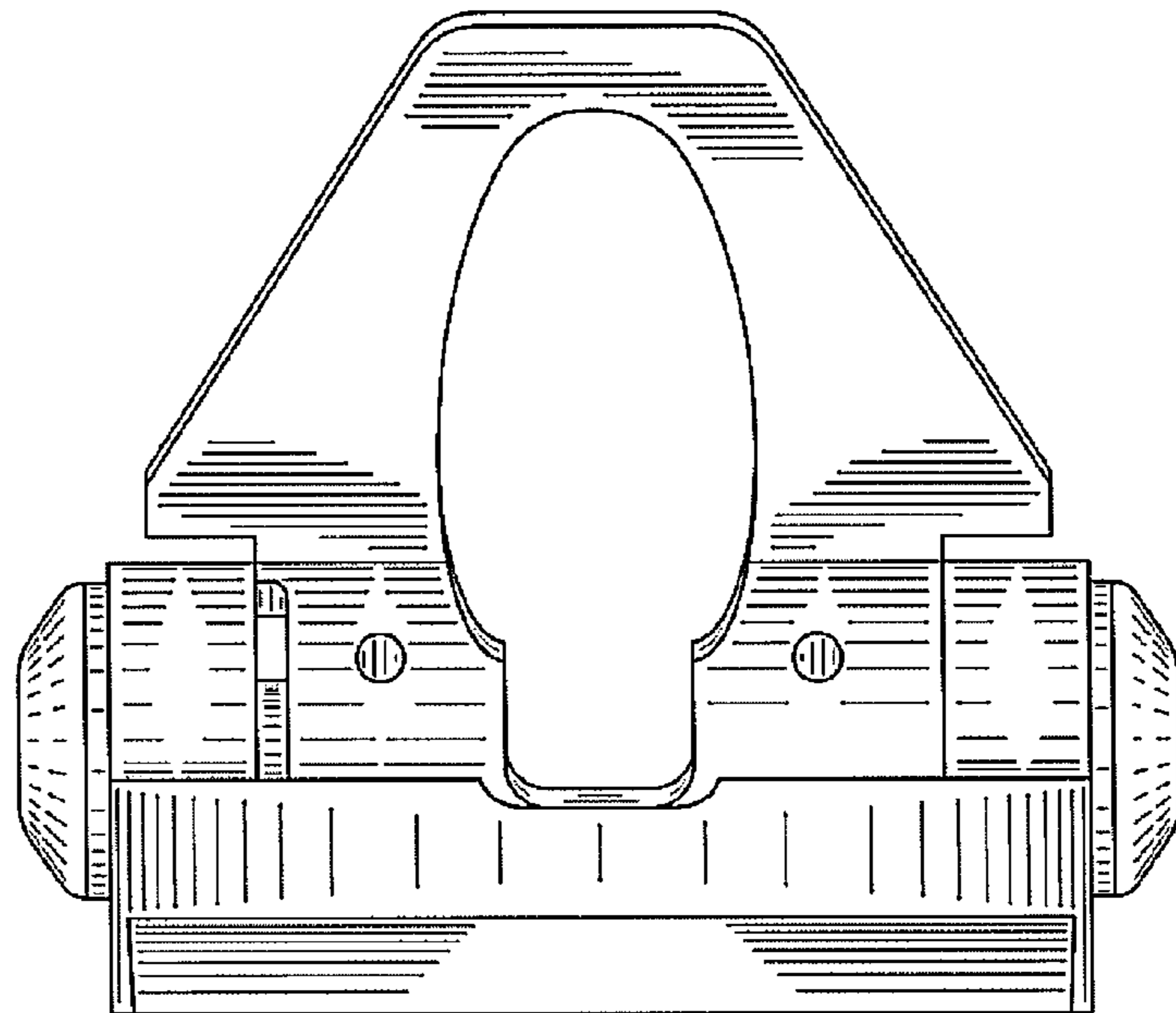


FIG. 6

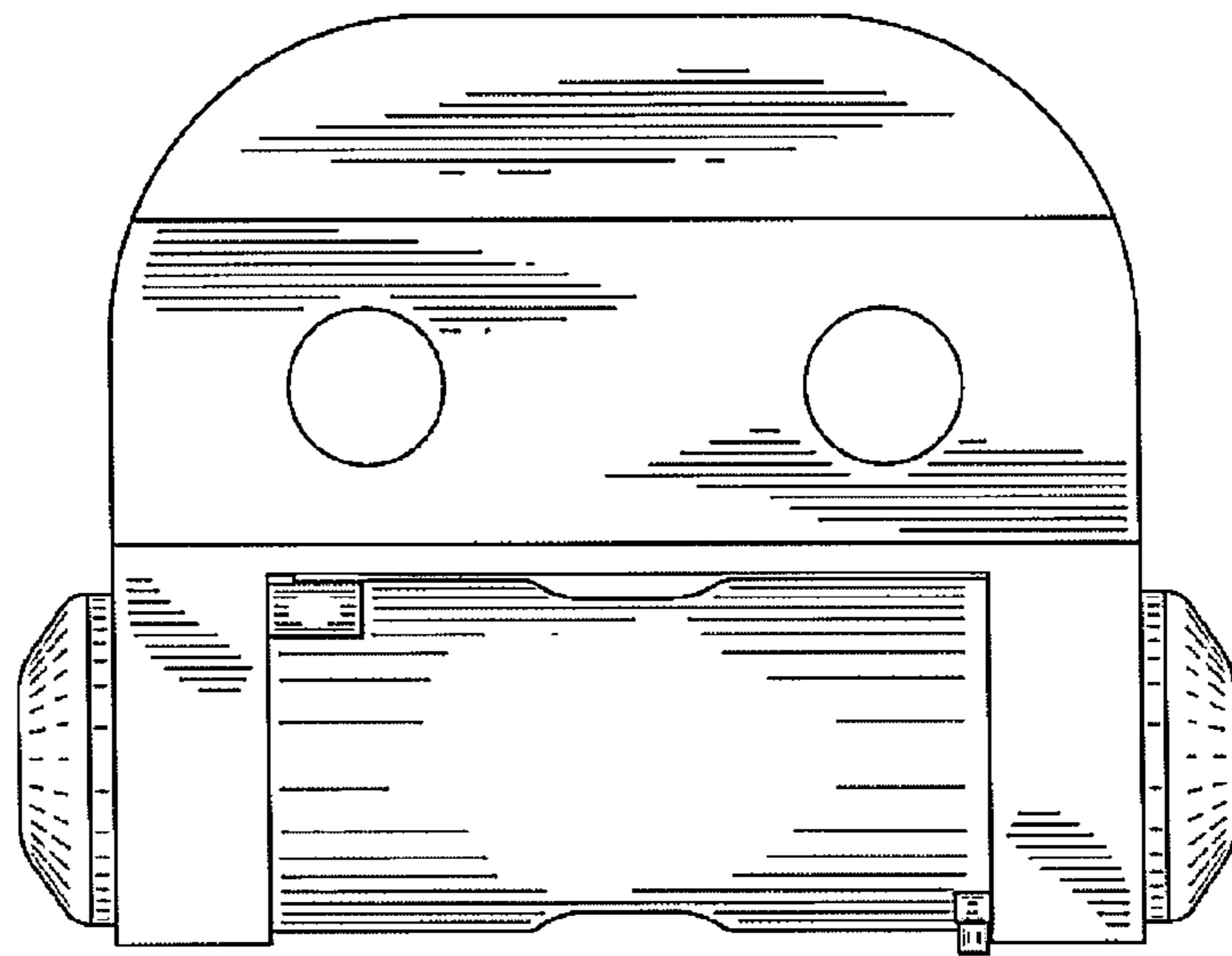


FIG. 7

