



US00D687913S

(12) **United States Design Patent**  
**Garcia**

(10) **Patent No.:** **US D687,913 S**

(45) **Date of Patent:** **\*\* Aug. 13, 2013**

(54) **LIFE SAVING FLOTATION DEVICE**

(71) Applicant: **Ernesto Garcia**, Fontana, CA (US)

(72) Inventor: **Ernesto Garcia**, Fontana, CA (US)

(\*\*) Term: **14 Years**

(21) Appl. No.: **29/446,658**

(22) Filed: **Feb. 26, 2013**

(51) **LOC (9) Cl.** ..... **29-02**

(52) **U.S. Cl.**  
USPC ..... **D21/805**

(58) **Field of Classification Search**  
USPC ..... D21/804, 805; D29/100, 101.1,  
D29/101, 4; 2/456, 458, 467, 463; 441/88,  
441/89, 106, 108, 111, 114-117  
See application file for complete search history.

(56) **References Cited**

**U.S. PATENT DOCUMENTS**

D299,792 S \* 2/1989 Winter ..... D3/327  
D342,348 S \* 12/1993 Panarelli ..... D29/101.1

D363,366 S \* 10/1995 Harding et al. .... D29/101.1  
D417,753 S \* 12/1999 Wiley ..... D29/101.1  
D419,726 S \* 1/2000 Hurtado ..... D29/101.1  
D451,569 S \* 12/2001 Marx ..... D21/805  
D490,938 S \* 6/2004 Wydner ..... D29/101.1  
D604,380 S \* 11/2009 Garcia ..... D21/804

\* cited by examiner

*Primary Examiner* — Zenia Bennett

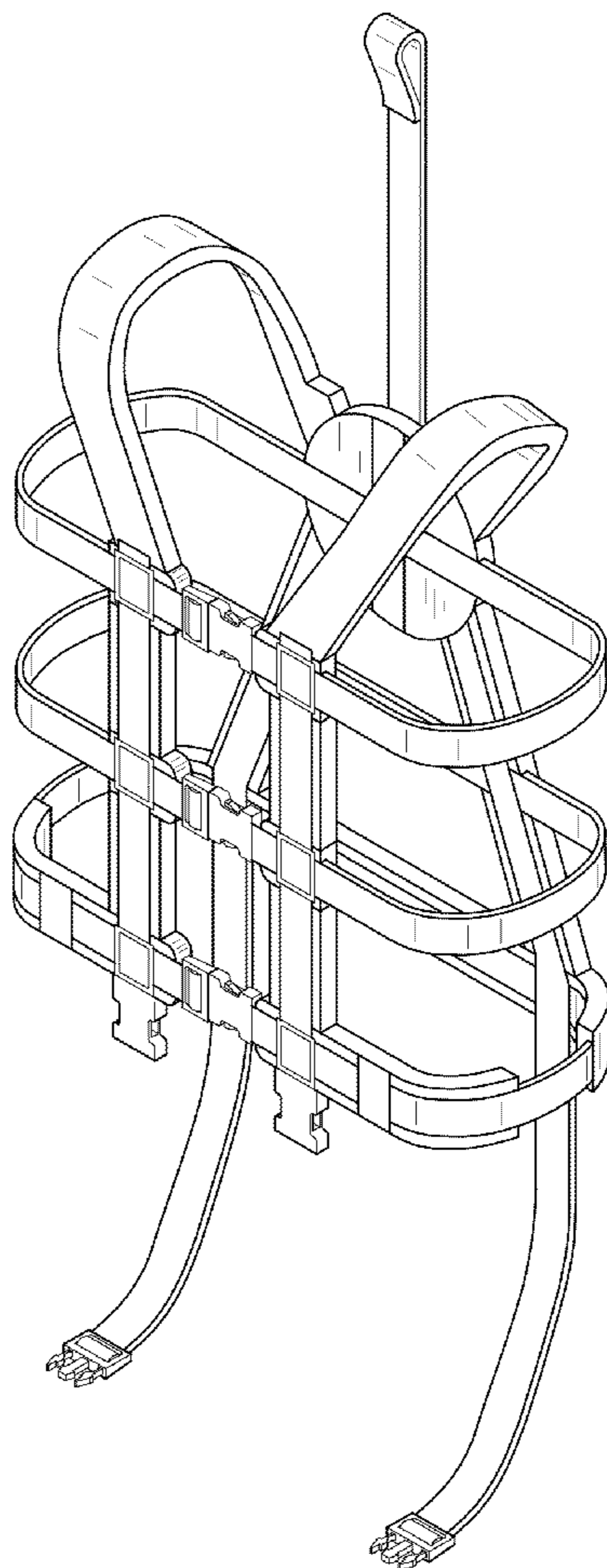
(57) **CLAIM**

The ornamental design for a life saving flotation device, as shown and described.

**DESCRIPTION**

FIG. 1 is a front elevation view of a life saving flotation device showing my new design;  
FIG. 2 is a rear elevation view thereof;  
FIG. 3 is a right side elevation view thereof, the opposite side being a mirror image of the shown;  
FIG. 4 is a top plan view thereof;  
FIG. 5 is a bottom plan view thereof; and,  
FIG. 6 is an isometric view thereof.

**1 Claim, 4 Drawing Sheets**



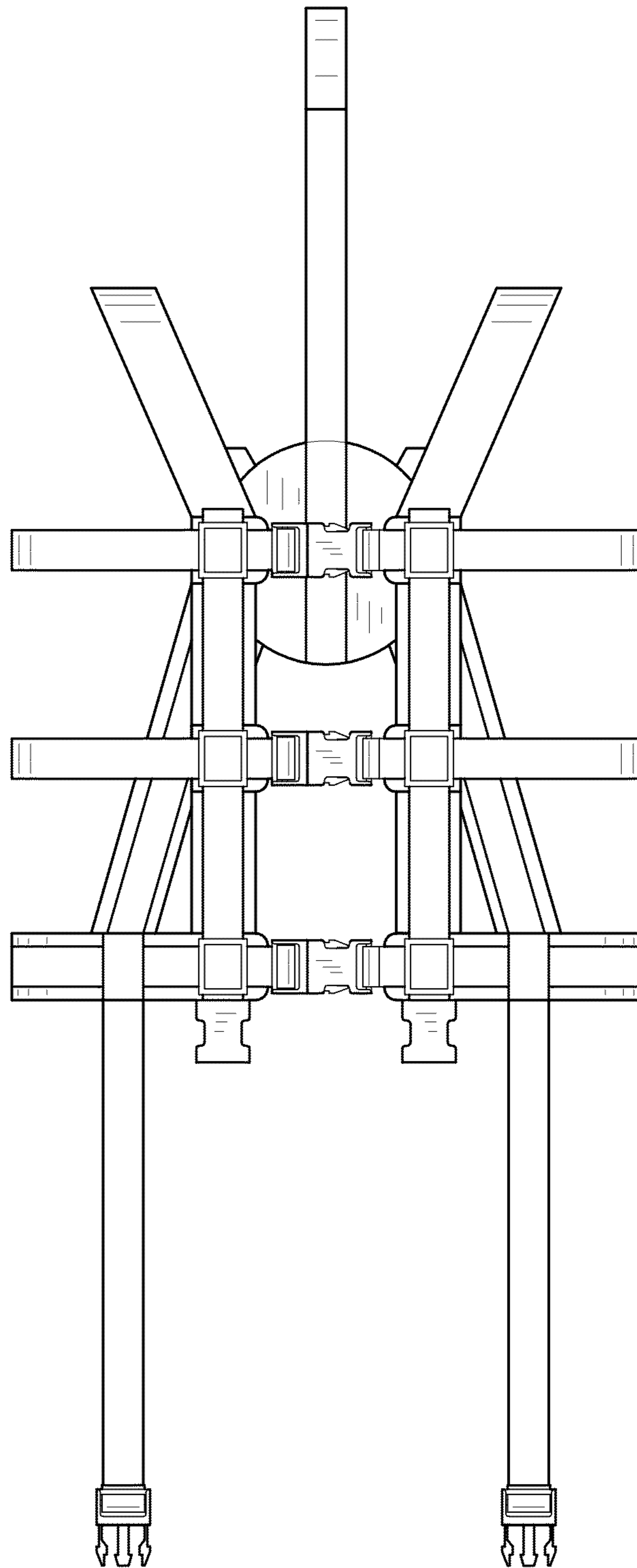


FIG. 1

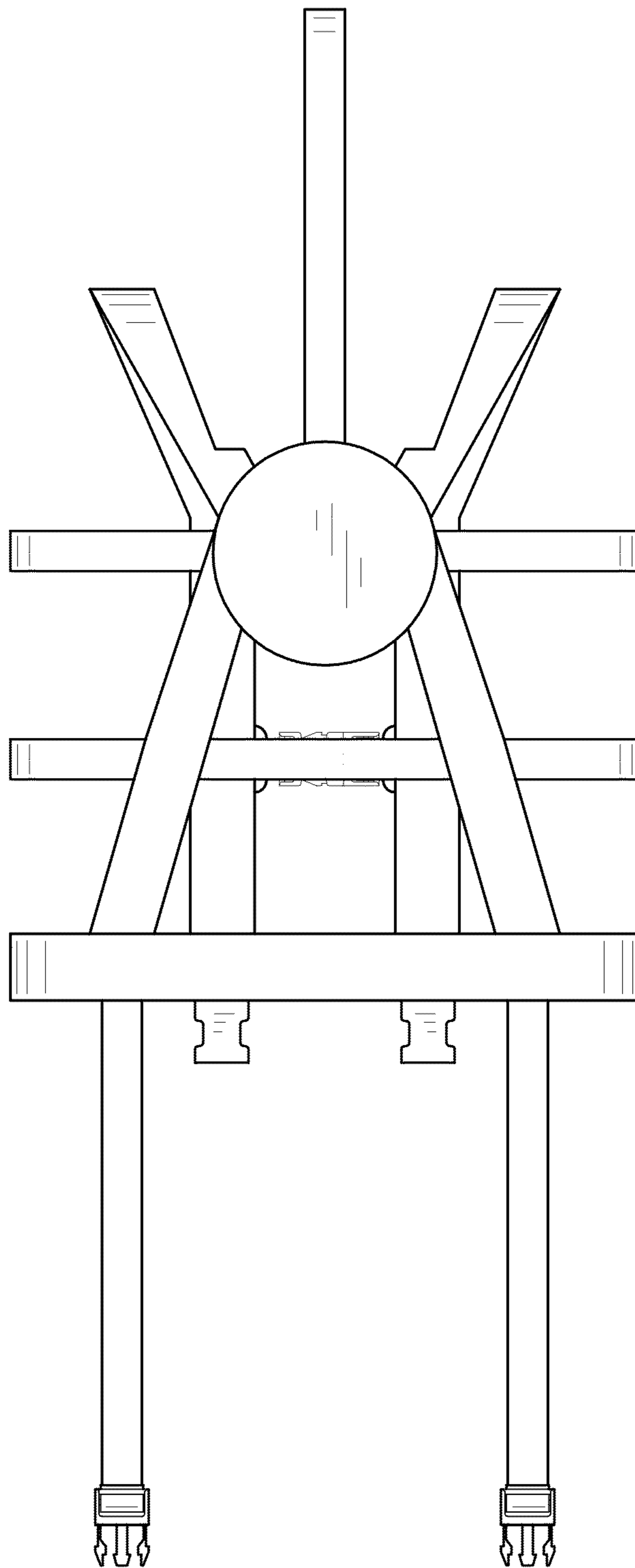


FIG. 2

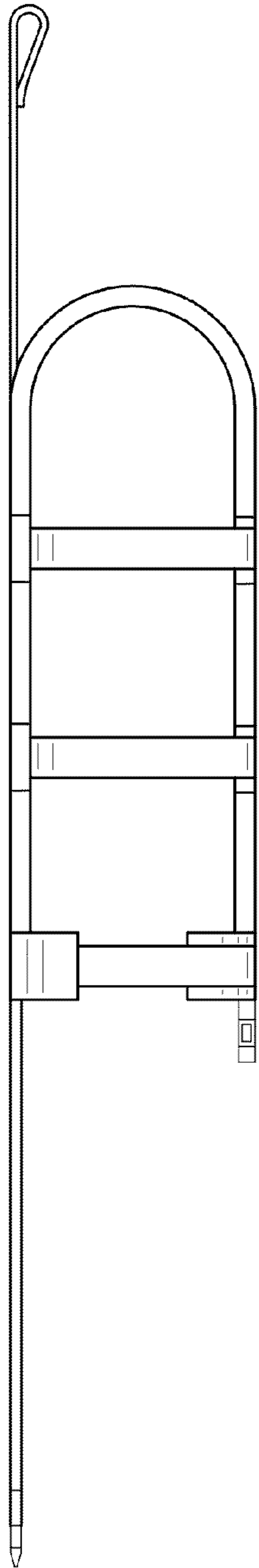


FIG. 3

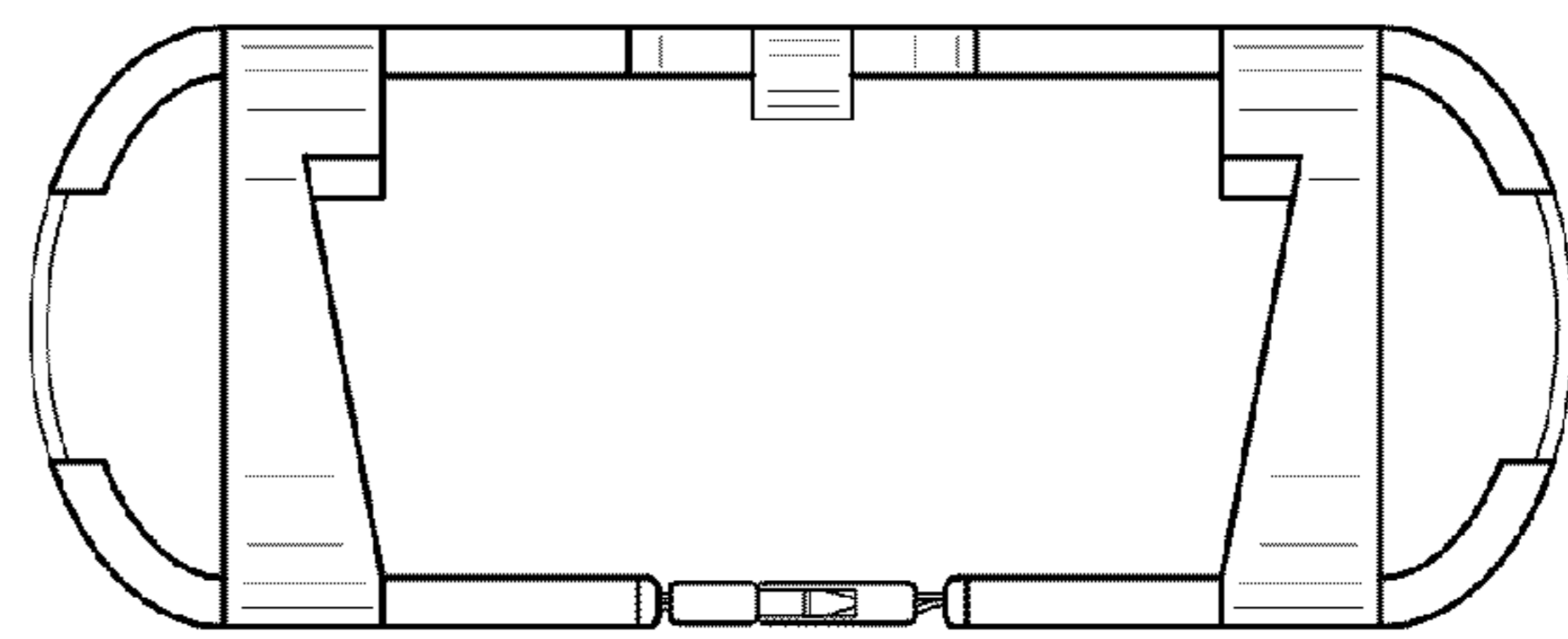


FIG. 4

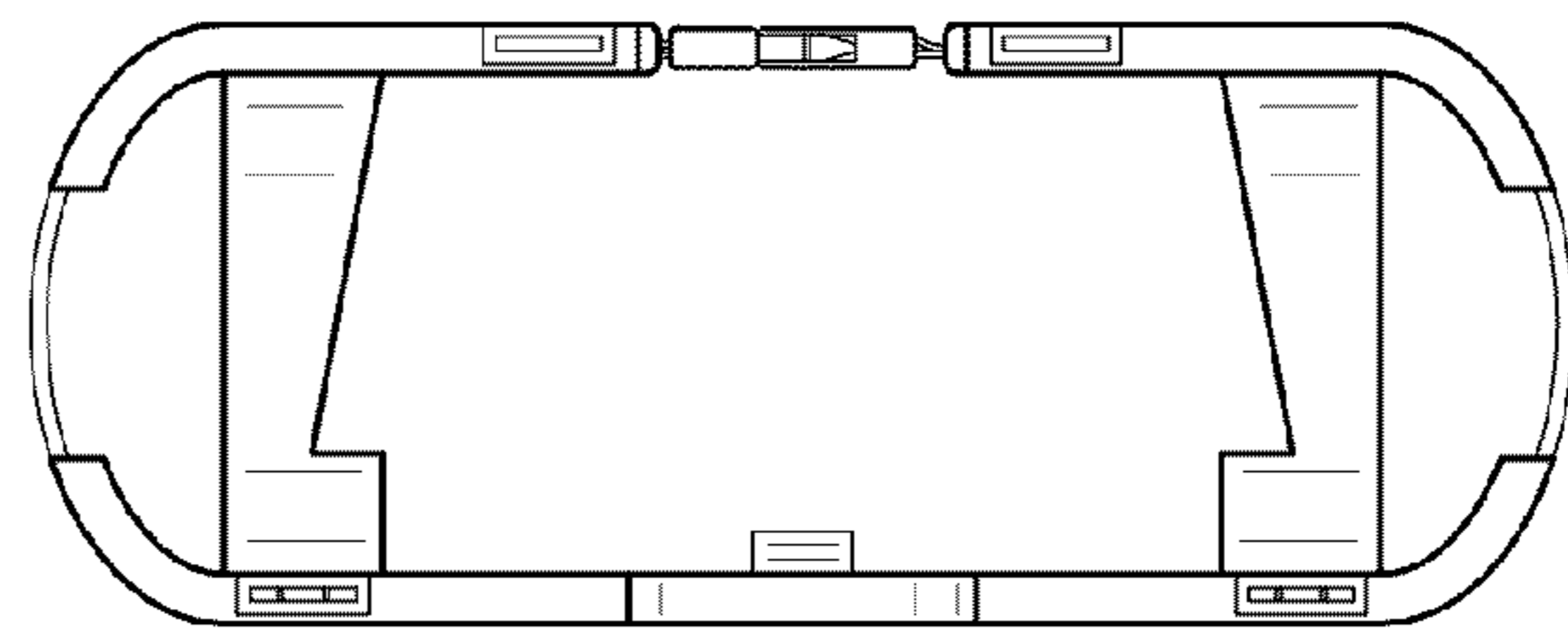


FIG. 5

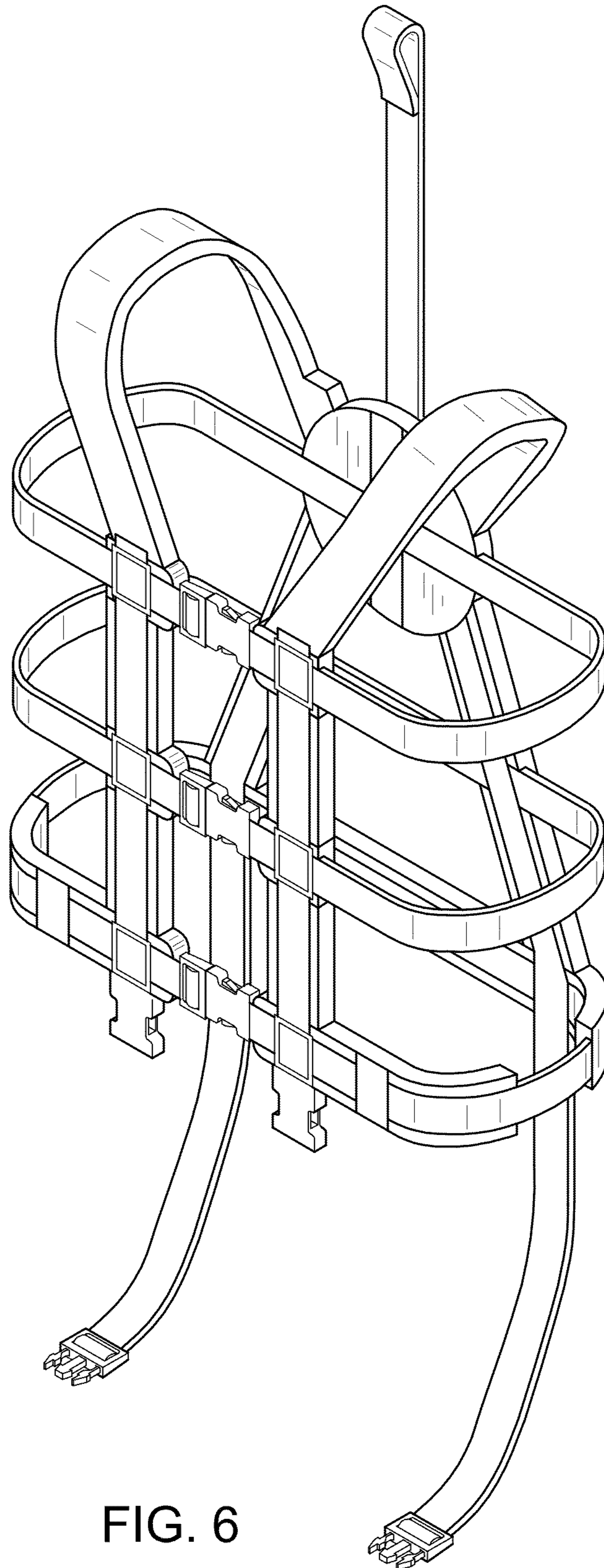


FIG. 6