



US00D687912S

(12) **United States Design Patent**
Jones et al.

(10) **Patent No.:** **US D687,912 S**

(45) **Date of Patent:** **** Aug. 13, 2013**

- (54) **GOLFING ACCESSORY HOLDER**
- (75) Inventors: **Michael P. Jones**, Milford, MI (US);
Bobby Joe Trusty, Hartland, MI (US)
- (73) Assignee: **Footteegolf**, Milford, MI (US)
- (**) Term: **14 Years**
- (21) Appl. No.: **29/422,547**
- (22) Filed: **May 22, 2012**
- (51) **LOC (9) Cl.** **21-02**
- (52) **U.S. Cl.**
USPC **D21/796**
- (58) **Field of Classification Search**
USPC D21/789, 796; 473/406, 408, 285,
473/286; 206/315.1; 224/918
See application file for complete search history.

- D436,641 S * 1/2001 Todd et al. D21/796
- D439,728 S * 4/2001 Smith D2/876
- D567,320 S * 4/2008 Pelosi D21/796
- D645,242 S 9/2011 Phillips
- 2011/0203141 A1 8/2011 Phillips

* cited by examiner

Primary Examiner — Mitchell Siegel

(74) *Attorney, Agent, or Firm* — Brooks Kushman P.C.

(57) **CLAIM**

The ornamental design for a golfing accessory holder, as shown and described.

DESCRIPTION

FIG. 1 is a perspective view of a golfing accessory holder of the present invention;
 FIG. 2 is another perspective view thereof;
 FIG. 3 is a top plan view;
 FIG. 4 is a right side view thereof;
 FIG. 5 is an end view thereof;
 FIG. 6 is an opposite end view of FIG. 5;
 FIG. 7 is a left side view thereof; and,
 FIG. 8 is a bottom plan view.

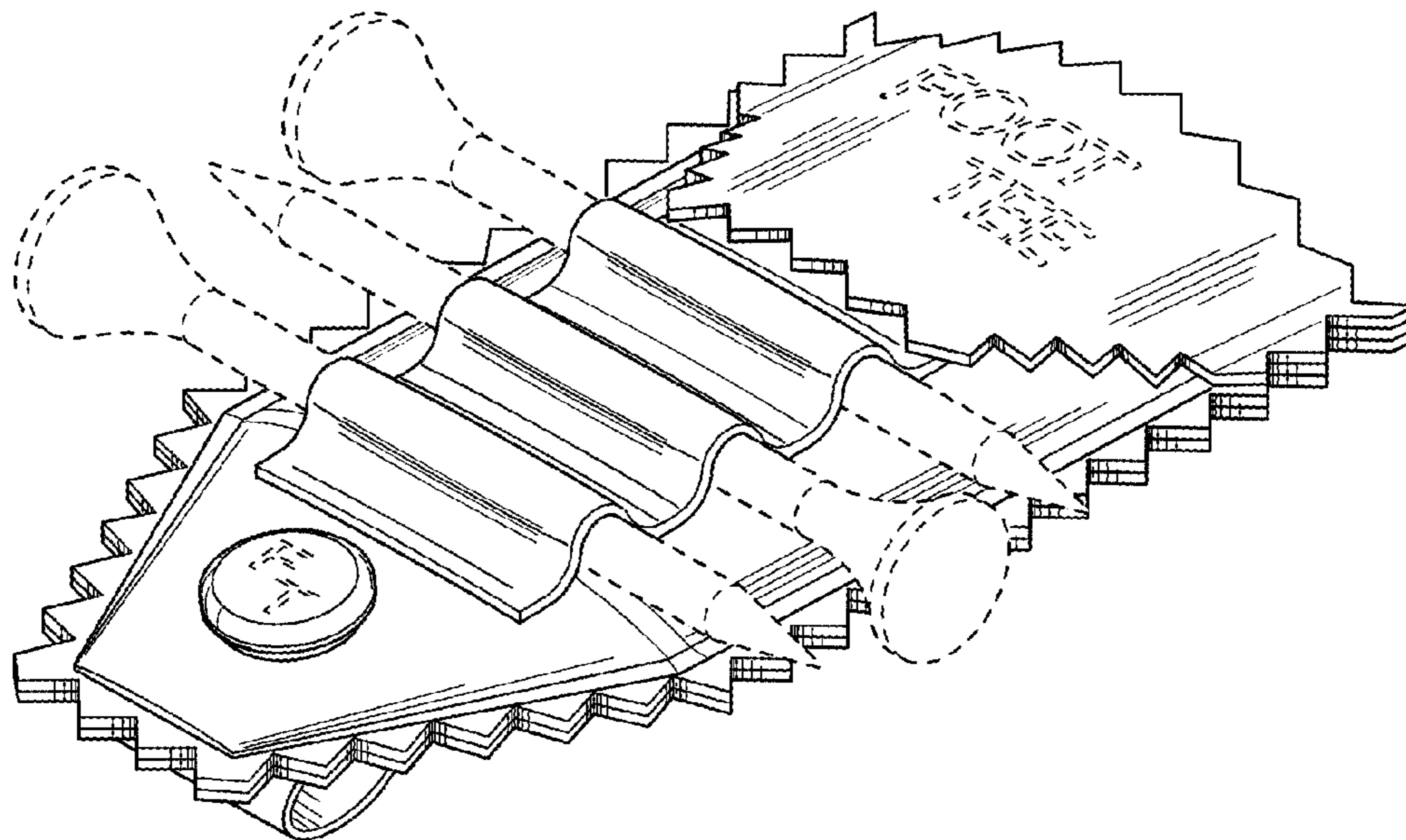
The broken line showing is included for the purpose of illustrating and forms no part of the claimed design.

1 Claim, 3 Drawing Sheets

(56) **References Cited**

U.S. PATENT DOCUMENTS

- 2,662,677 A * 12/1953 Perry 224/918
- 3,556,364 A 1/1971 Maretka
- 3,674,189 A * 7/1972 Walbeck 224/918
- 4,736,877 A * 4/1988 Clark 206/315.1
- D356,657 S * 3/1995 Hauswald D3/227
- 5,433,436 A * 7/1995 Hoyt et al. 473/406



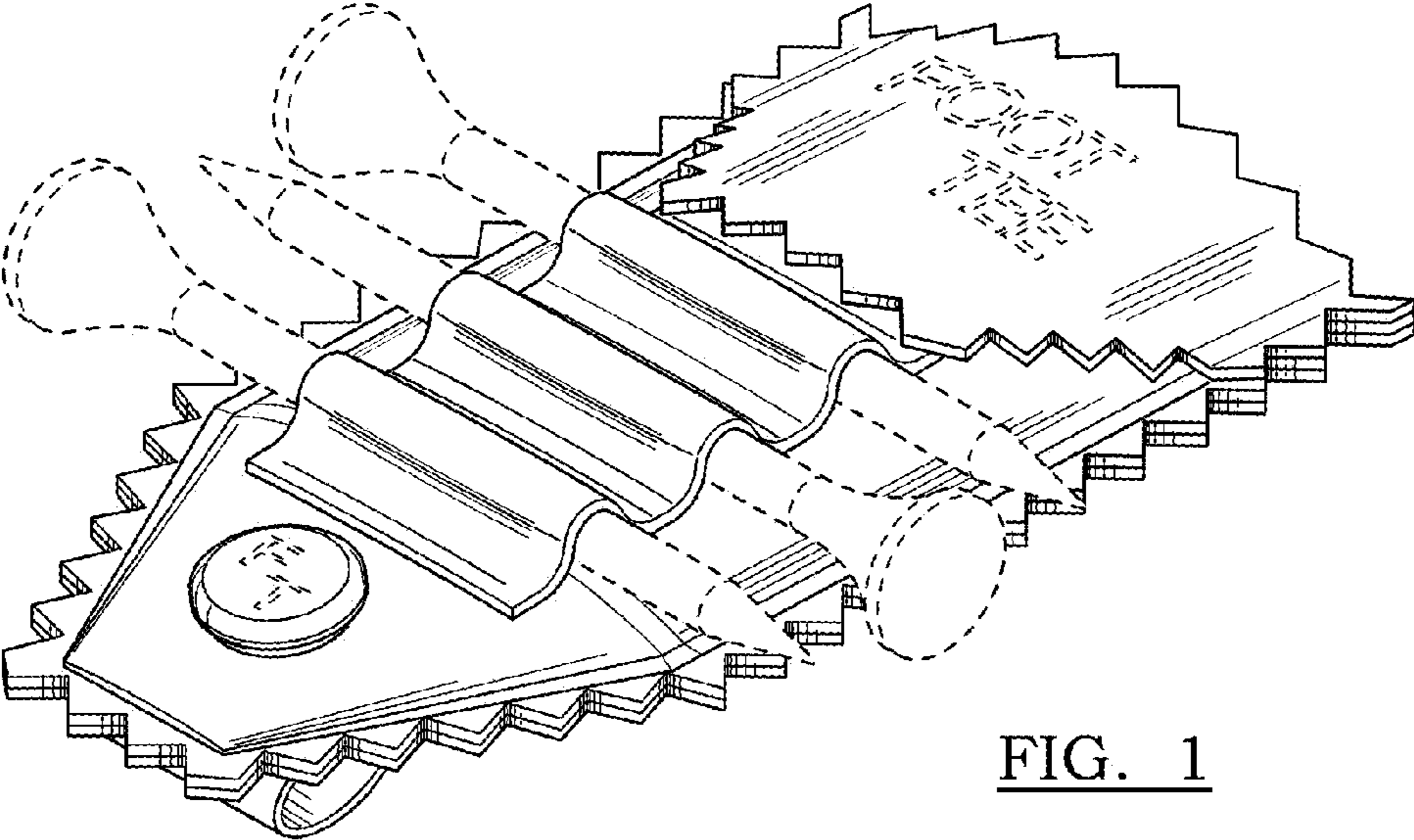


FIG. 1

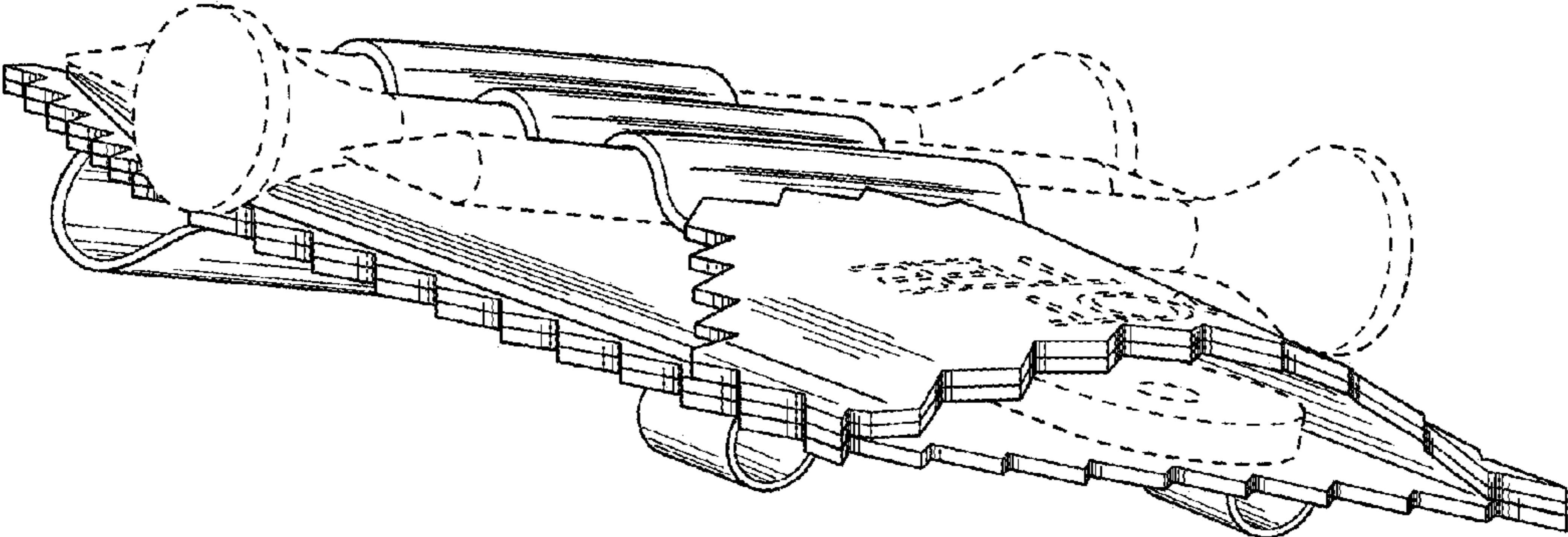
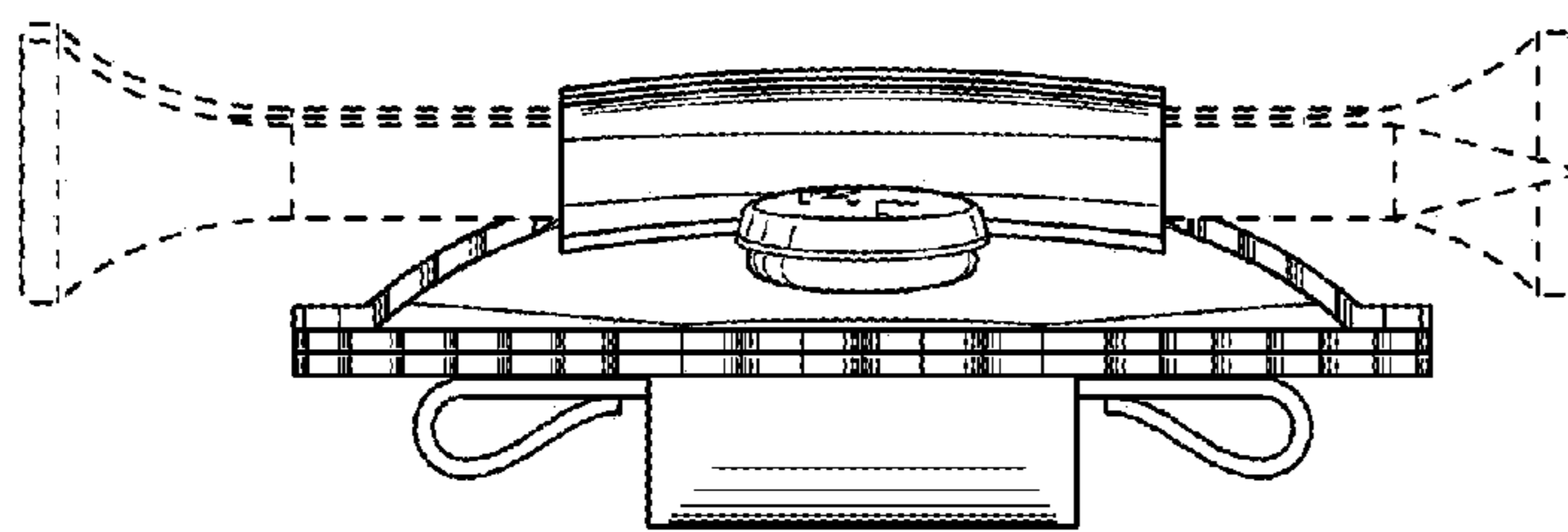
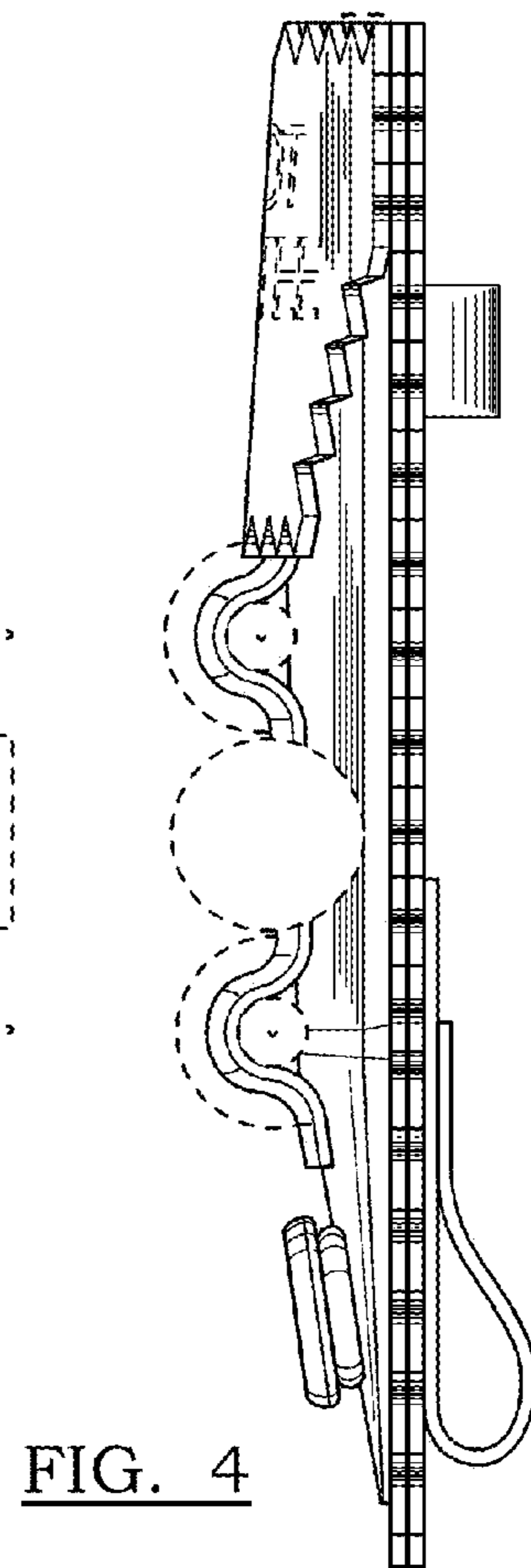
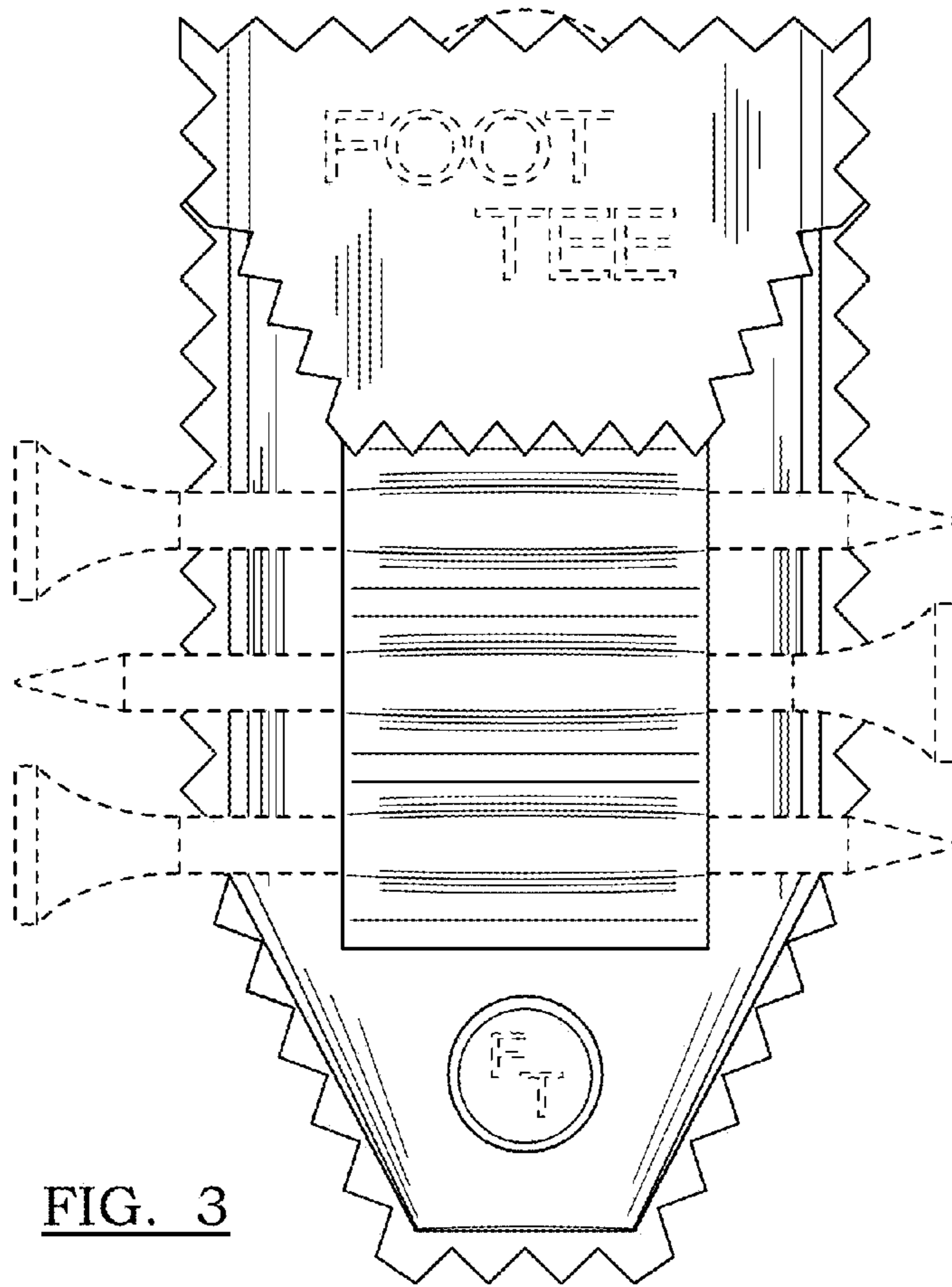


FIG. 2



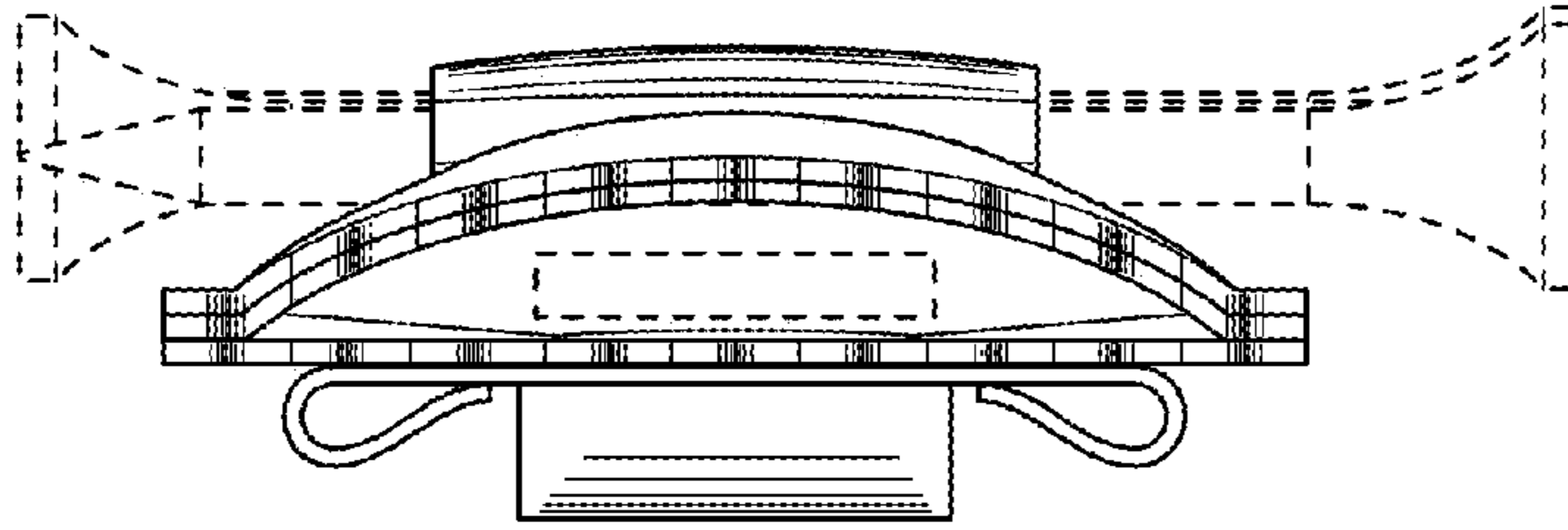


FIG. 6

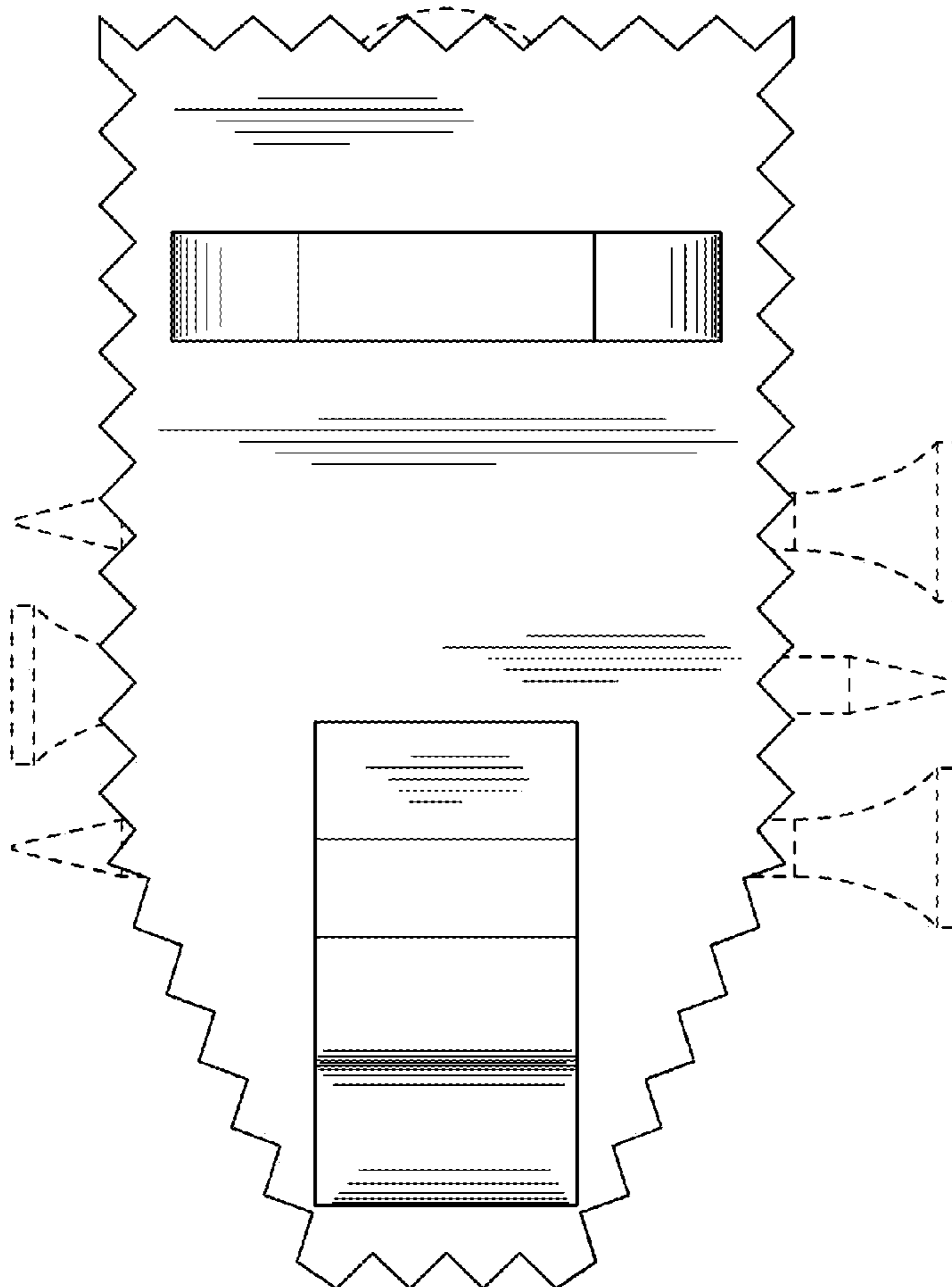


FIG. 8

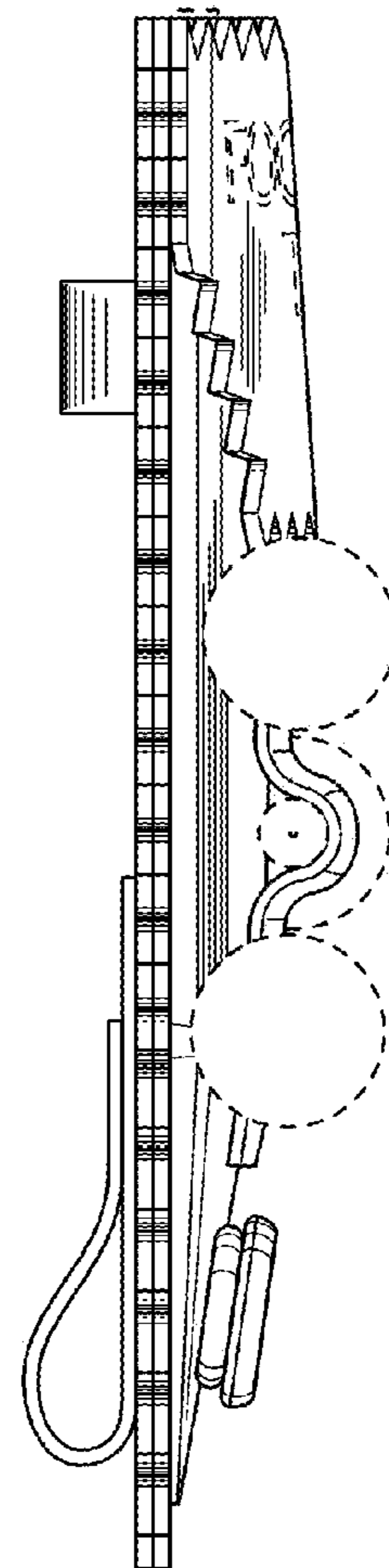


FIG. 7