

US00D687911S

(12) **United States Design Patent**
Horita

(10) **Patent No.:** **US D687,911 S**
(45) **Date of Patent:** **** Aug. 13, 2013**

- (54) **EXERCISE DEVICE**
- (75) Inventor: **Sean Horita**, Woodinville, WA (US)
- (73) Assignee: **Precor Incorporated**, Woodinville, WA (US)
- (**) Term: **14 Years**
- (21) Appl. No.: **29/414,376**
- (22) Filed: **Feb. 28, 2012**
- (51) **LOC (9) Cl.** **21-02**
- (52) **U.S. Cl.**
USPC **D21/694; D21/670; D21/668**
- (58) **Field of Classification Search**
USPC D21/662, 663, 666, 667, 668, 670, 671, 686, 689, 691, 694, 697; 482/4, 482/5, 51, 52, 57, 59, 60, 62, 63, 71, 72, 482/73, 118, 133, 137, 138, 142
See application file for complete search history.

7,678,025	B2	3/2010	Rodgers, Jr.	482/52
7,708,668	B2	5/2010	Rodgers, Jr.	482/51
7,708,669	B2	5/2010	Rodgers, Jr.	482/52
7,811,208	B2	10/2010	Rodgers, Jr.	482/52
7,828,698	B2	11/2010	Rodgers, Jr.	482/52
7,833,133	B2*	11/2010	Stewart et al.	482/52
7,874,963	B2	1/2011	Grind	482/71
7,878,947	B1	2/2011	Rodgers, Jr.	482/52
7,887,465	B2	2/2011	Uffelman	482/52
7,922,625	B2	4/2011	Grind	482/52
7,988,600	B2	8/2011	Rodgers, Jr.	482/52
8,021,275	B2	9/2011	Rodgers, Jr.	482/52
8,092,351	B1	1/2012	Rodgers, Jr.	482/52
8,105,213	B2	1/2012	Stewart et al.	482/52
2008/0161163	A1	7/2008	Stewart et al.	482/51
2010/0167877	A1	7/2010	Grind	482/52
2010/0204017	A1	8/2010	Uffelman	482/52
2010/0267524	A1	10/2010	Stewart et al.	482/52

* cited by examiner

Primary Examiner — Susan E Krakower

(74) *Attorney, Agent, or Firm* — Terence P. O'Brien

(56) **References Cited**

U.S. PATENT DOCUMENTS

D334,982	S *	4/1993	Riach	D24/183
5,649,886	A *	7/1997	Danylieko	482/142
D441,811	S *	5/2001	Clarke	D21/666
D453,543	S *	2/2002	Cutler	D21/694
D453,948	S *	2/2002	Cutler	D21/694
D472,946	S *	4/2003	Wu	D21/665
D523,495	S *	6/2006	Carlucci et al.	D21/694
D559,925	S *	1/2008	Horita et al.	D21/670
D565,130	S *	3/2008	Olson	D21/670
D567,314	S	4/2008	Horita	D21/694
D570,430	S	6/2008	Horita	D21/694
D575,837	S	8/2008	Horita	D21/694
7,507,184	B2	3/2009	Rodgers, Jr.	482/52
7,520,839	B2	4/2009	Rodgers, Jr.	482/52
7,530,926	B2	5/2009	Rodgers, Jr.	482/52
7,641,598	B2	1/2010	Rodgers, Jr.	482/52
7,674,205	B2*	3/2010	Dalebout et al.	482/52

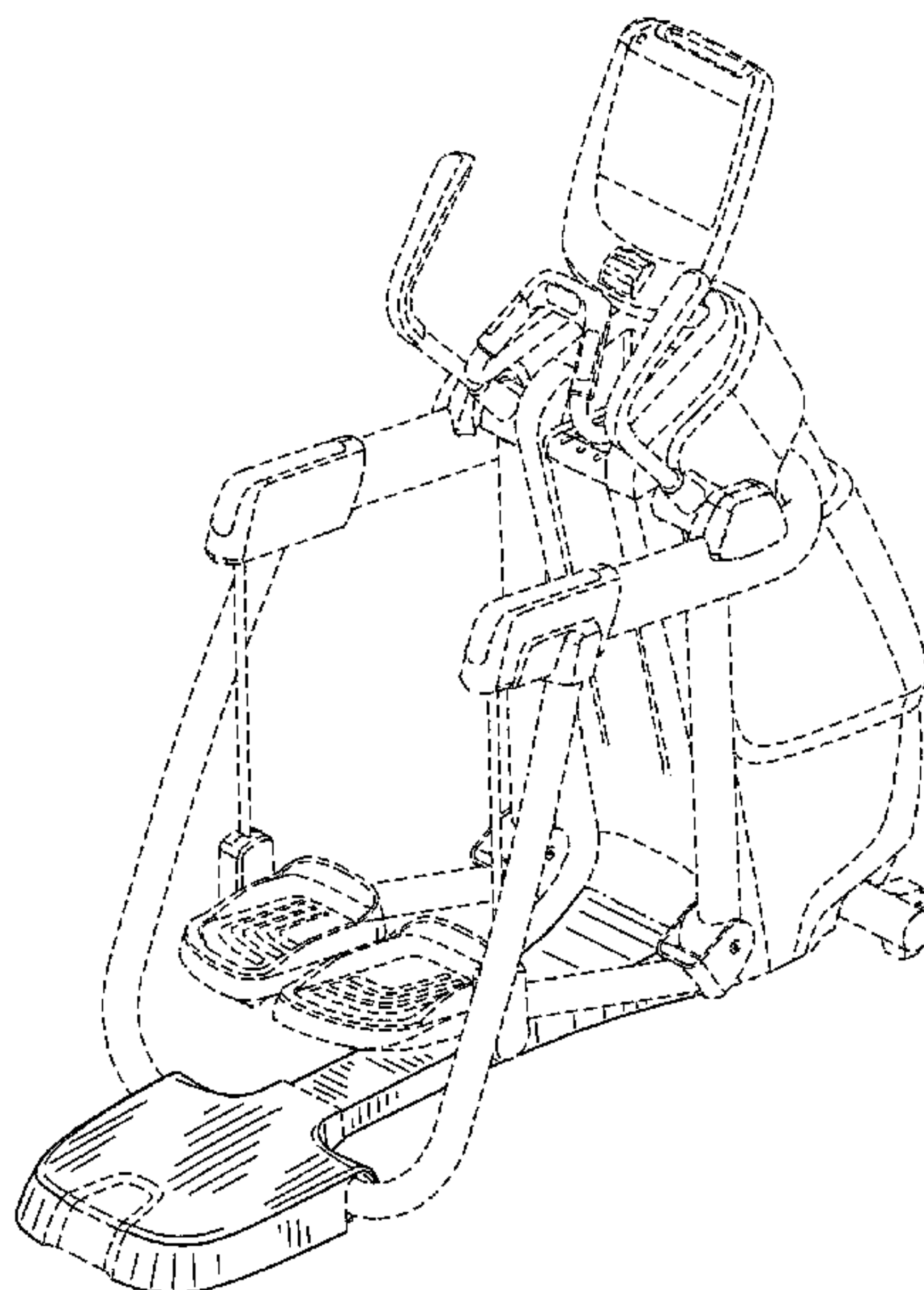
(57) **CLAIM**

I claim the ornamental design for an exercise device, as shown and described.

DESCRIPTION

FIG. 1 is a rear side perspective view of an exercise device; FIG. 2 is a side view of the exercise device of FIG. 1; FIG. 3 is a top view of the exercise device of FIG. 1; FIG. 4 is a front view of the exercise device of FIG. 1; FIG. 5 is a rear view of the exercise device of FIG. 1; and, FIG. 6 is a bottom view of the exercise device of FIG. 1. The ornamental design that is claimed is shown in solid lines. The dash-dash-dash broken lines illustrate environmental structure and form no part of the claimed design. The dash-dot-dash broken lines define the boundaries of the claimed design and form no part thereof.

1 Claim, 6 Drawing Sheets



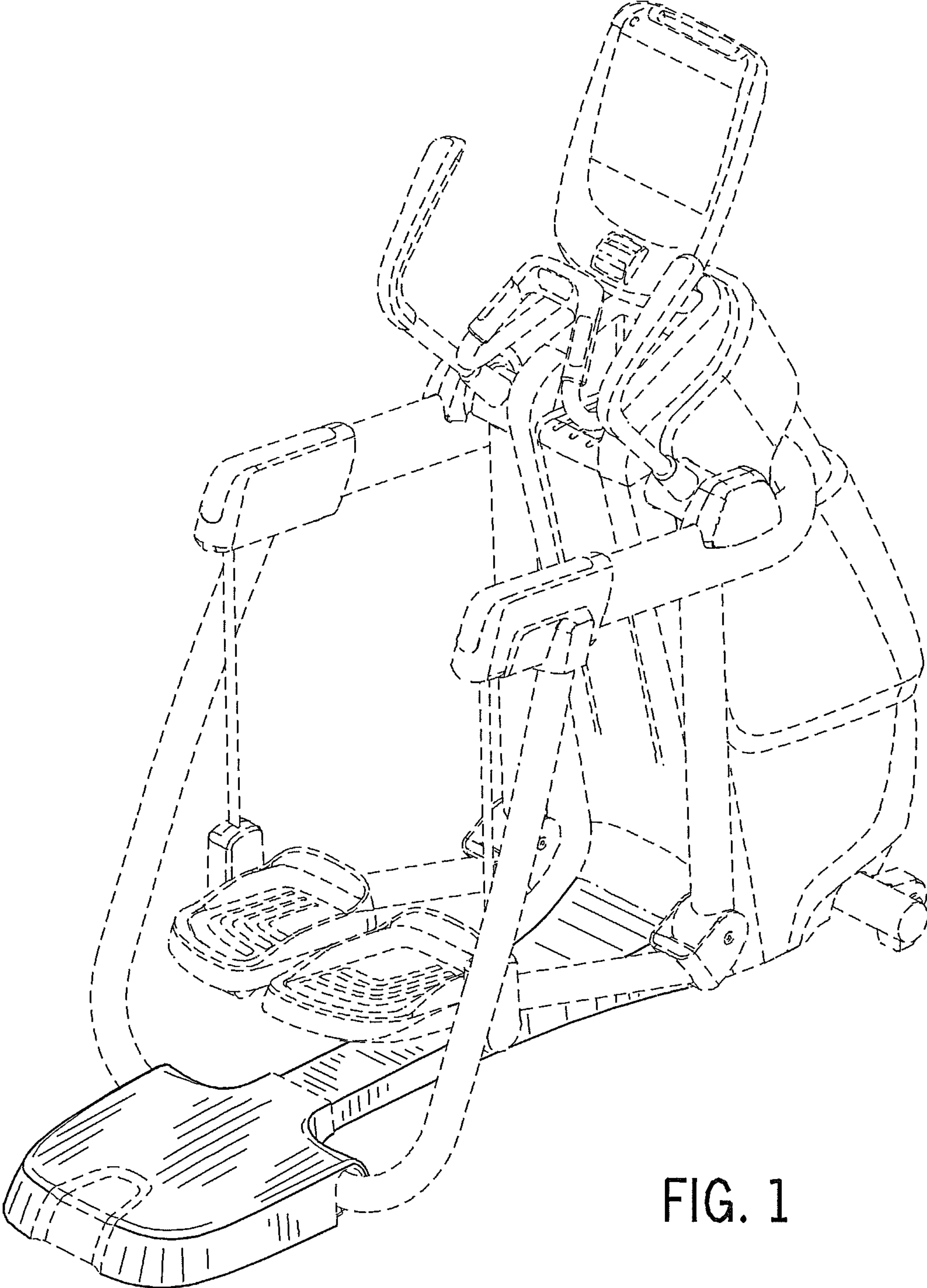


FIG. 1

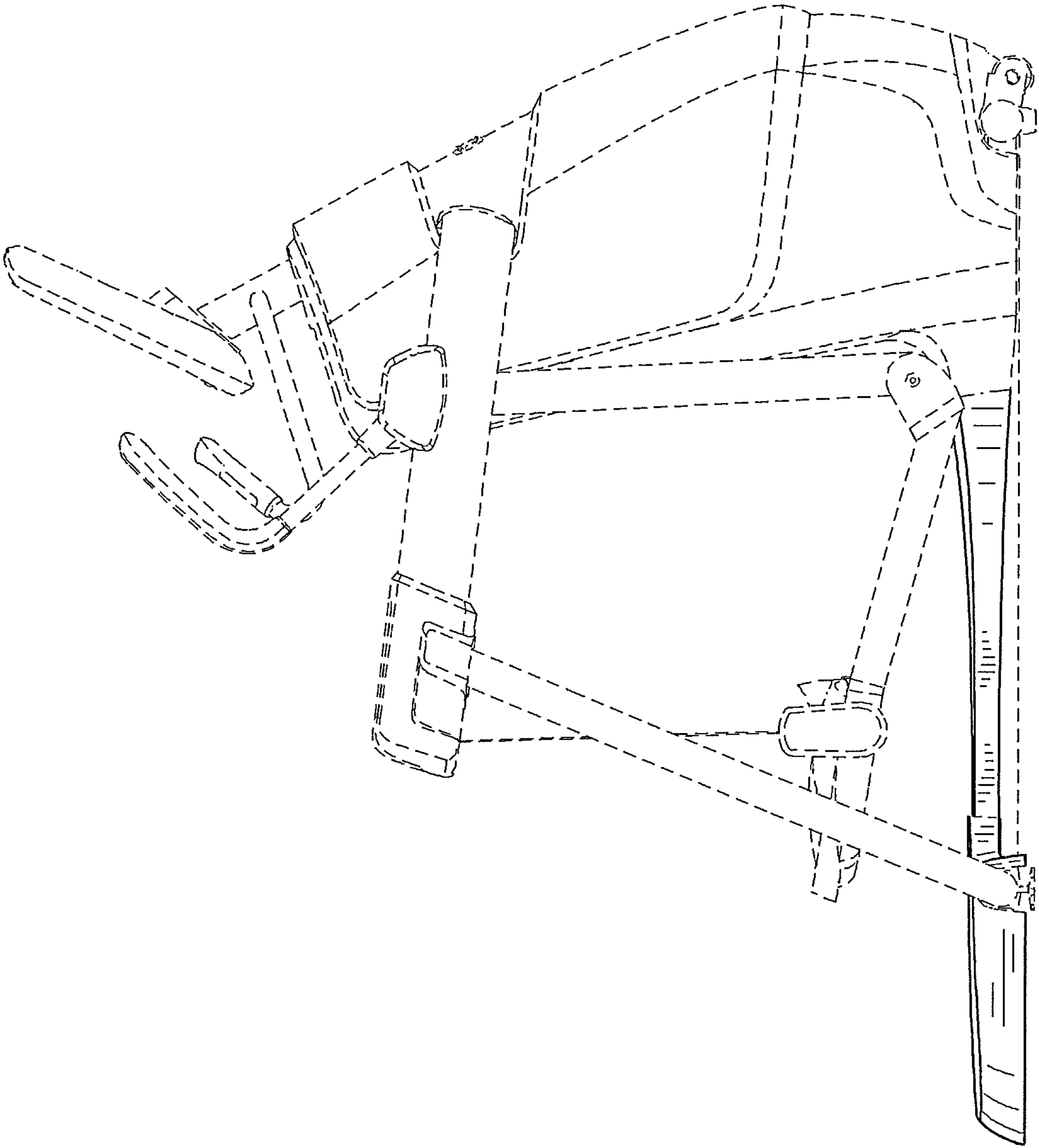


FIG. 2

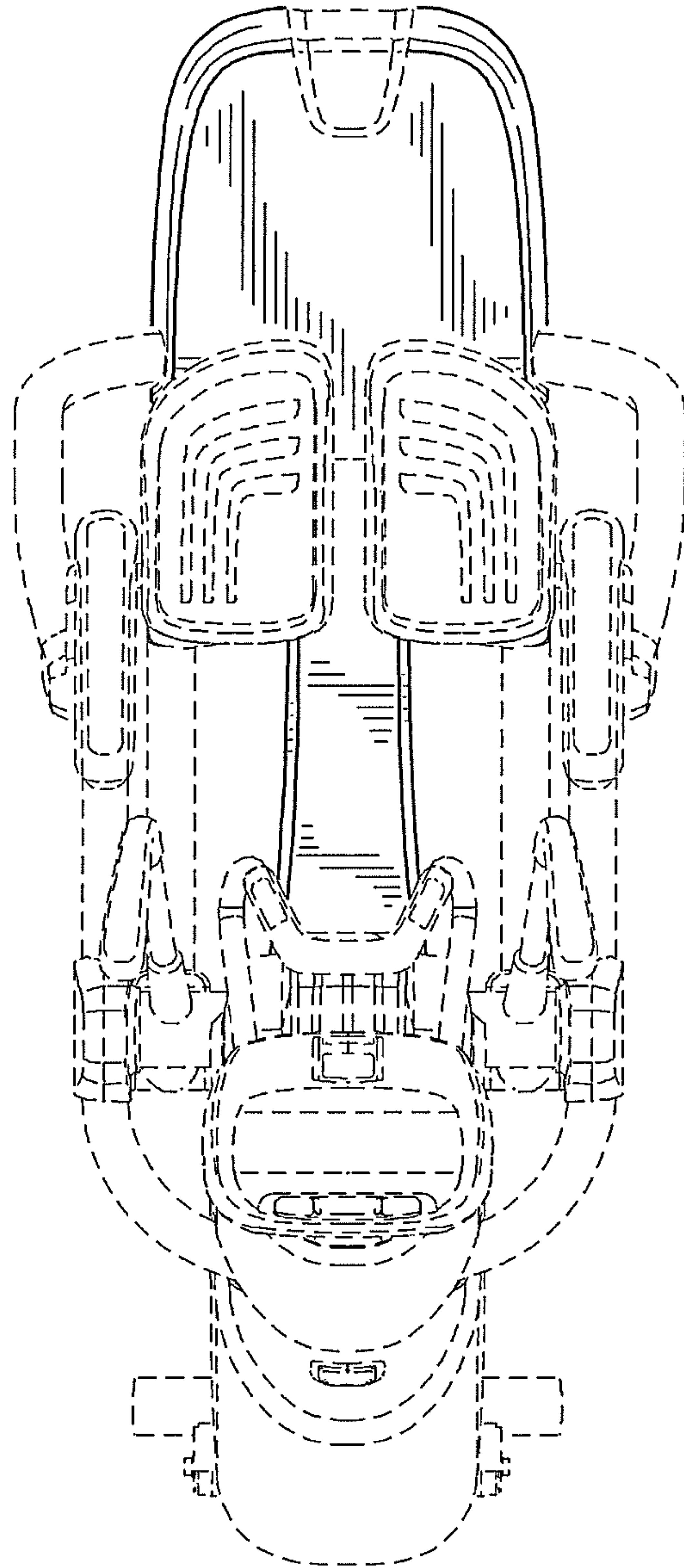


FIG. 3

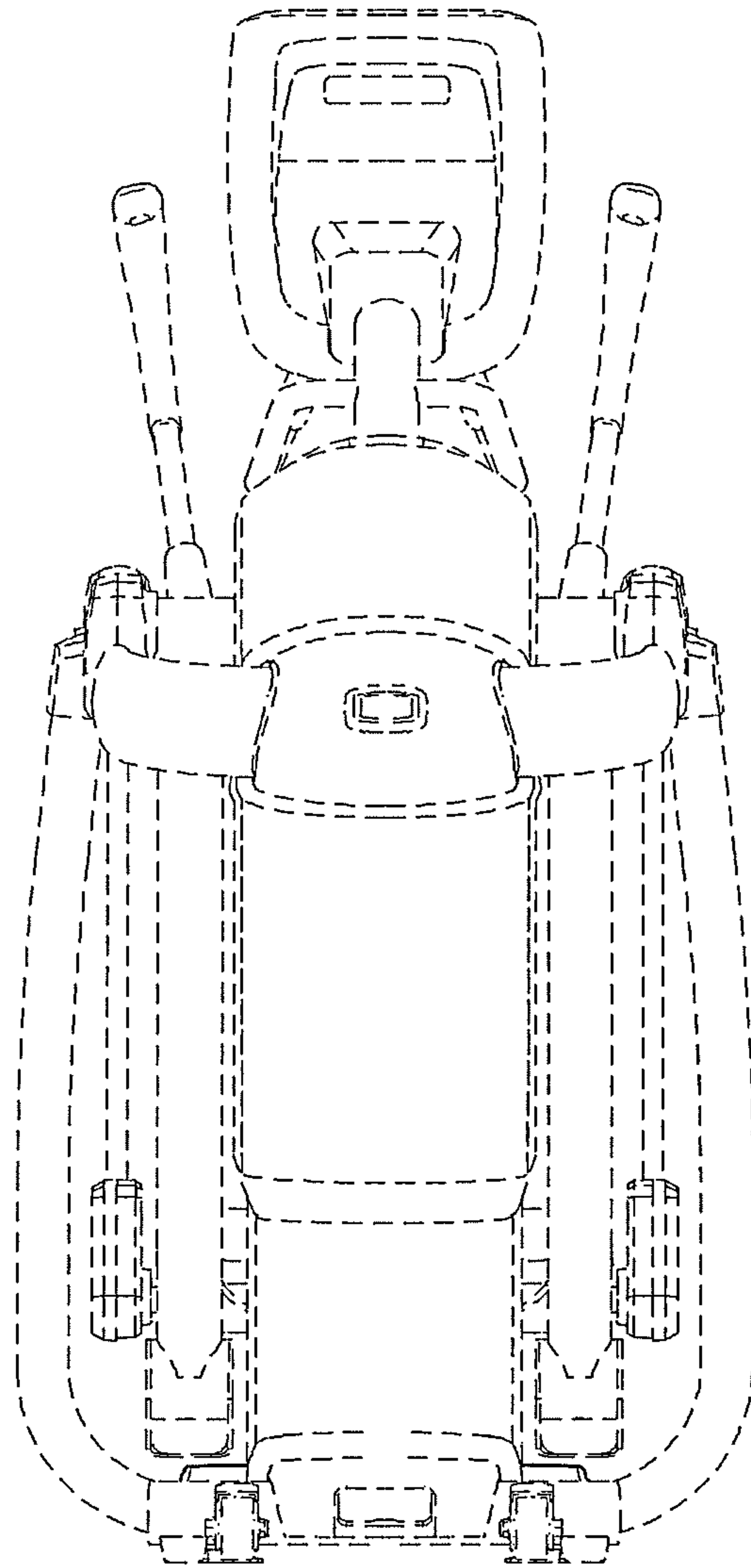


FIG. 4

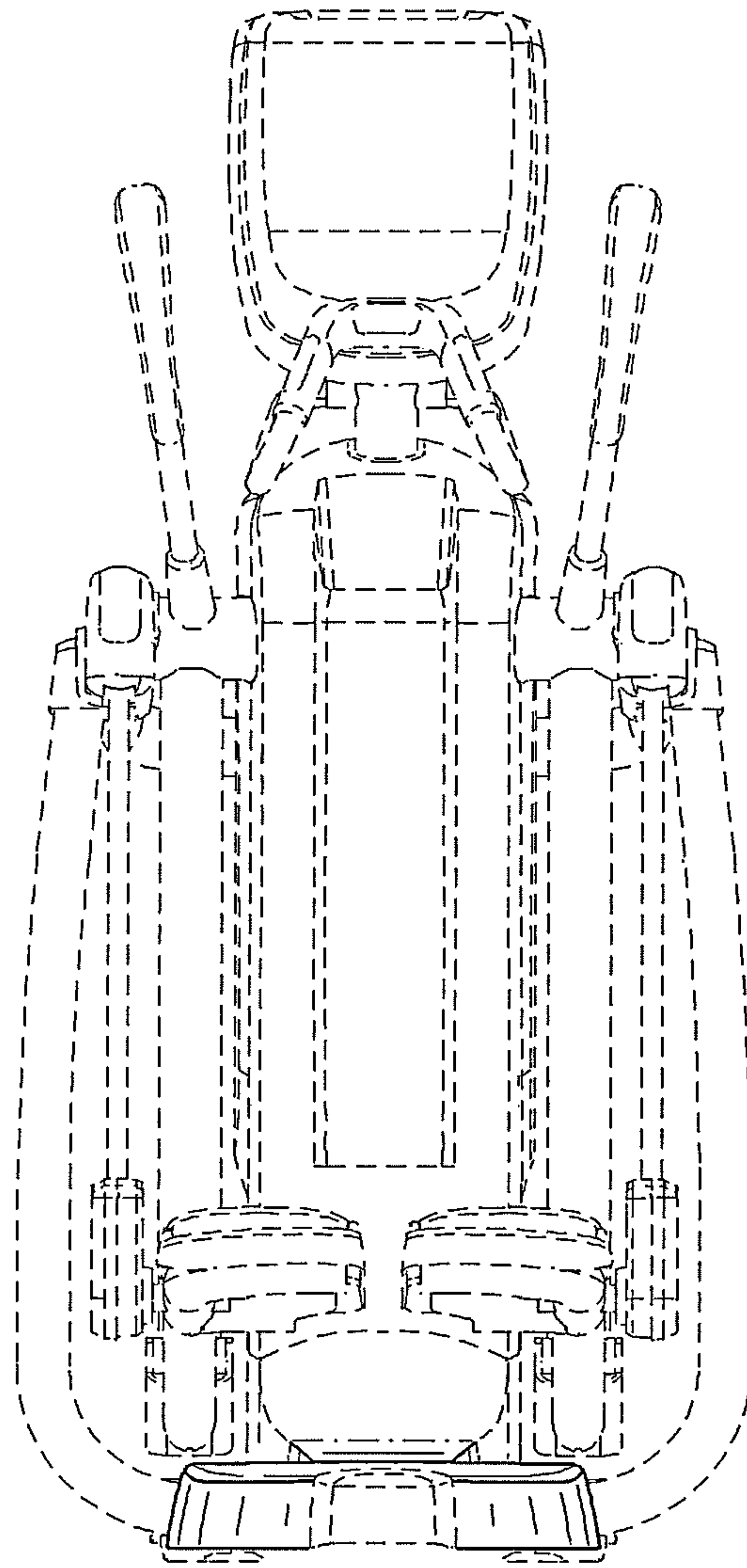


FIG. 5

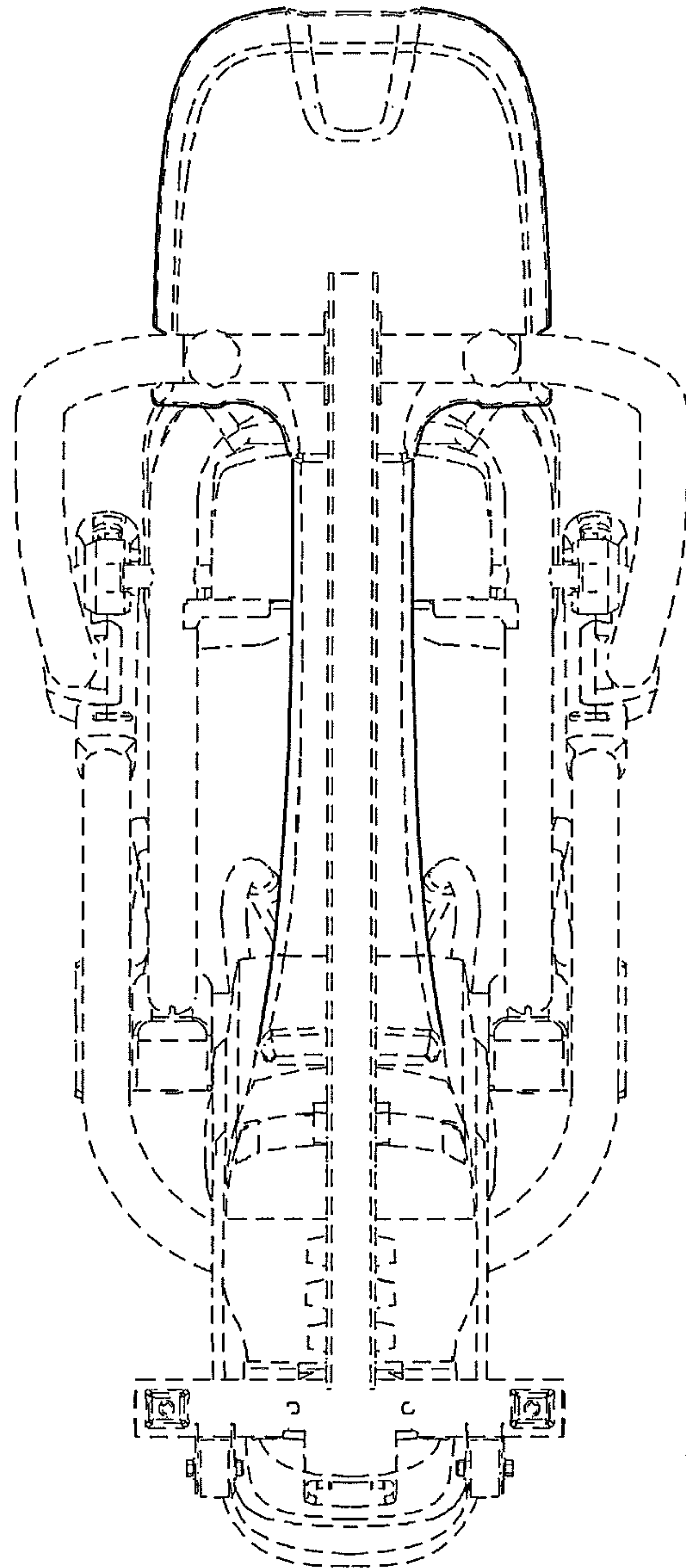


FIG. 6