



US00D687910S

(12) **United States Design Patent**
Provencher et al.

(10) **Patent No.:** **US D687,910 S**
(45) **Date of Patent:** **** Aug. 13, 2013**

- (54) **TOY FIGURINE HEAD**
- (71) Applicant: **MEGA Brands Inc.**, Montreal (CA)
- (72) Inventors: **Emile Provencher**, Montreal (CA);
François Hamel, Montreal (CA); **Marie Lafontaine-Lacasse**, Montreal (CA)
- (73) Assignee: **MEGA Brands Inc.**, Montreal, Quebec (CA)
- (**) Term: **14 Years**
- (21) Appl. No.: **29/449,723**
- (22) Filed: **Mar. 15, 2013**
- (51) **LOC (9) Cl.** **21-01**
- (52) **U.S. Cl.**
USPC **D21/659**
- (58) **Field of Classification Search**
USPC D21/621, 623, 624, 625, 628, 630,
D21/631, 633, 640, 643-649, 659; 446/268,
446/360, 361, 376, 379, 382-384; D19/62;
D20/29-32
See application file for complete search history.

(56) **References Cited**

U.S. PATENT DOCUMENTS

1,282,004 A	10/1918	Shearer	
1,297,089 A	3/1919	Caccialanza	
D71,094 S	9/1926	Willmott	
D137,551 S	3/1944	Baker	
3,225,489 A	12/1965	Ryan	
3,236,004 A	2/1966	Christiansen	
3,768,197 A	10/1973	Shimamura	
3,874,113 A	4/1975	Beck	
D239,846 S *	5/1976	Knudsen	D21/621
3,962,819 A	6/1976	Christiansen	
3,995,395 A	12/1976	Rahmstorf	
D246,199 S	10/1977	Ogawa	
D246,201 S	10/1977	Ogawa	
D247,054 S	1/1978	Rahmstorf	

D248,115 S	6/1978	Tapdrup
D248,172 S	6/1978	Tapdrup
D248,178 S	6/1978	Tapdrup
D248,582 S	7/1978	Tapdrup
D251,261 S	3/1979	Tapdrup
D253,711 S	12/1979	Christiansen et al.
4,185,412 A	1/1980	Rahmstorf
4,190,982 A	3/1980	Rahmstorf
4,205,482 A	6/1980	Christiansen et al.
4,512,749 A	4/1985	Deulofeu
4,993,988 A	2/1991	Chamberlain
D317,796 S	6/1991	Laursen
5,209,694 A	5/1993	Utt, Jr.
D353,417 S	12/1994	Ryaa et al.
D353,418 S	12/1994	Ryaa et al.
D353,856 S	12/1994	Ryaa et al.

(Continued)

Primary Examiner — Zenia Bennett

(74) *Attorney, Agent, or Firm* — Plumsea Law Group, LLC

(57) **CLAIM**

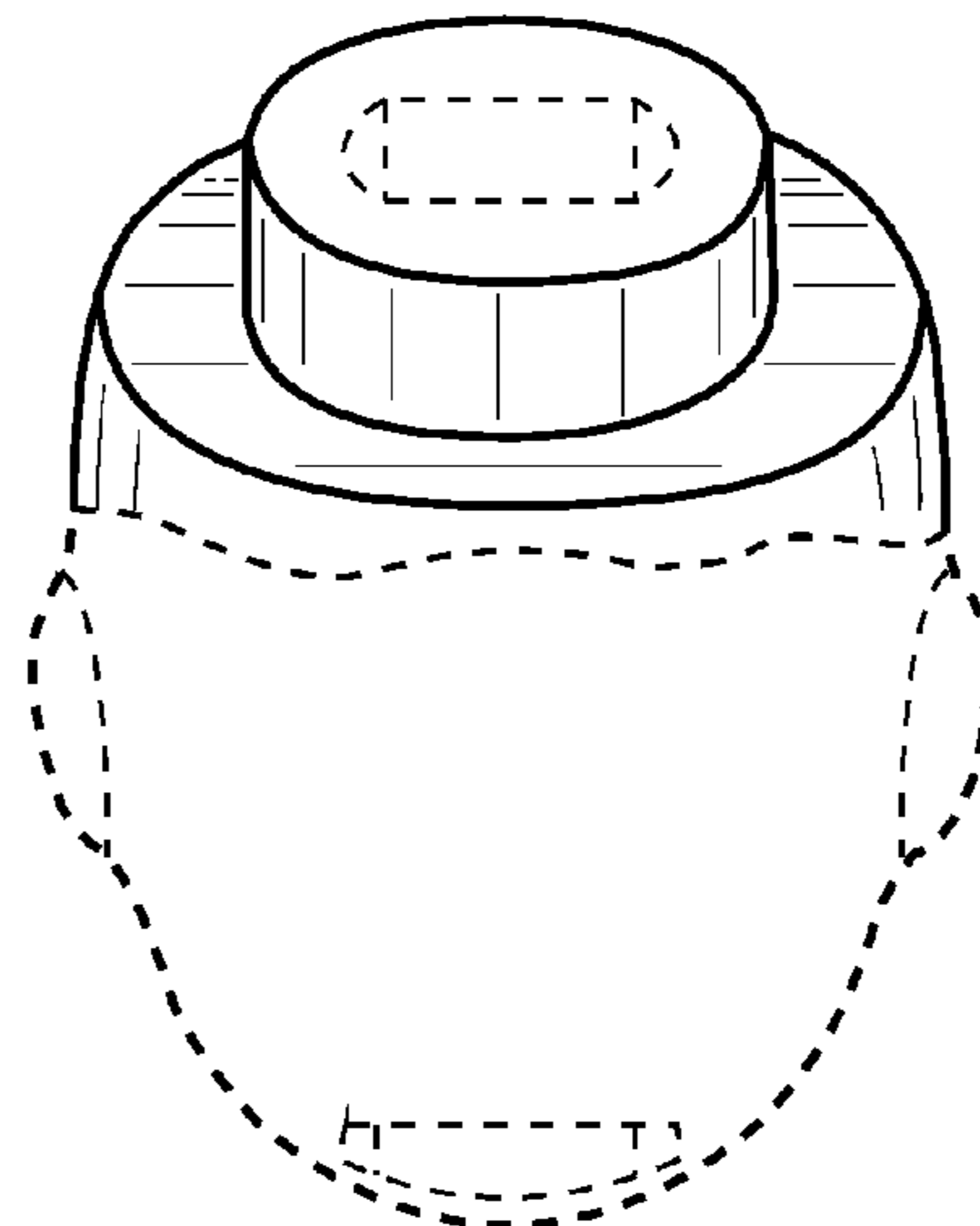
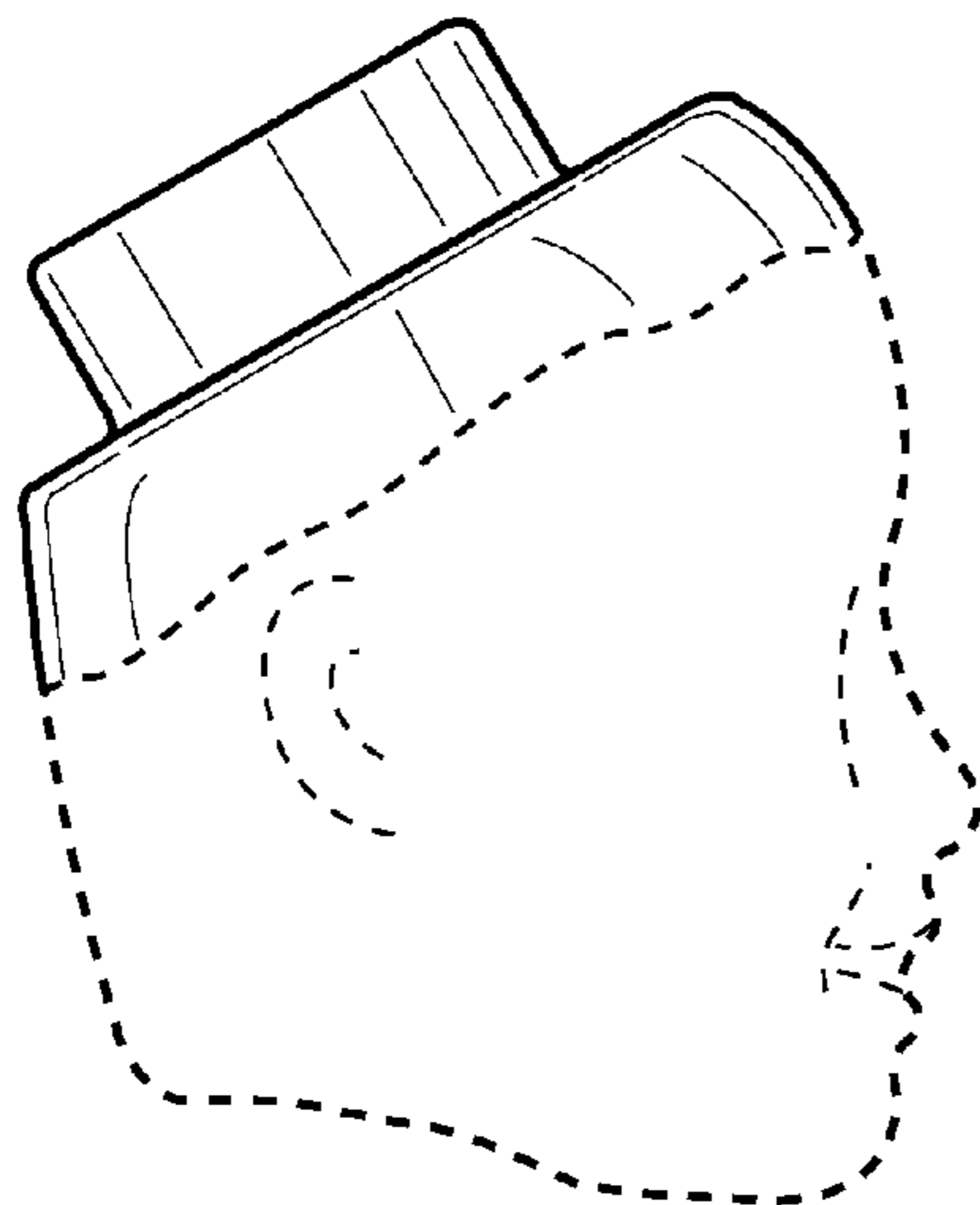
The ornamental design for a toy figurine head, as shown and described.

DESCRIPTION

FIG. 1 is a front perspective view of a toy figurine head showing the new design;
 FIG. 2 is a front elevational view of the toy figurine head of FIG. 1;
 FIG. 3 is a side elevational view of the toy figurine head of FIG. 1, the opposite side elevational view being a mirror image;
 FIG. 4 is a rear elevational view of the toy figurine head of FIG. 1;
 FIG. 5 is a top plan view of the toy figurine head of FIG. 1; and,
 FIG. 6 is a bottom plan view of the toy figurine head of FIG. 1.

The broken lines are for environmental and illustrative purposes only and are not part of the claimed design.

1 Claim, 3 Drawing Sheets



(56)

References Cited

U.S. PATENT DOCUMENTS

D354,533 S 1/1995 Ryaa et al.
D366,076 S 1/1996 Pedersen
5,628,669 A 5/1997 Hesse
D393,670 S 4/1998 Glickman et al.
D404,441 S 1/1999 Tong
D494,643 S 8/2004 Bresciani et al.
D495,764 S 9/2004 Bresciani et al.

6,817,921 B2 11/2004 Chin et al.
D536,051 S 1/2007 Hernandez, Jr.
7,566,256 B2 7/2009 Wai
D611,108 S 3/2010 Bodin
D672,410 S 12/2012 Dubreuil et al.
D672,411 S 12/2012 Dubreuil et al.
D672,412 S 12/2012 Dubreuil et al.
D672,413 S 12/2012 Dubreuil et al.
2007/0087651 A1 4/2007 Ali

* cited by examiner

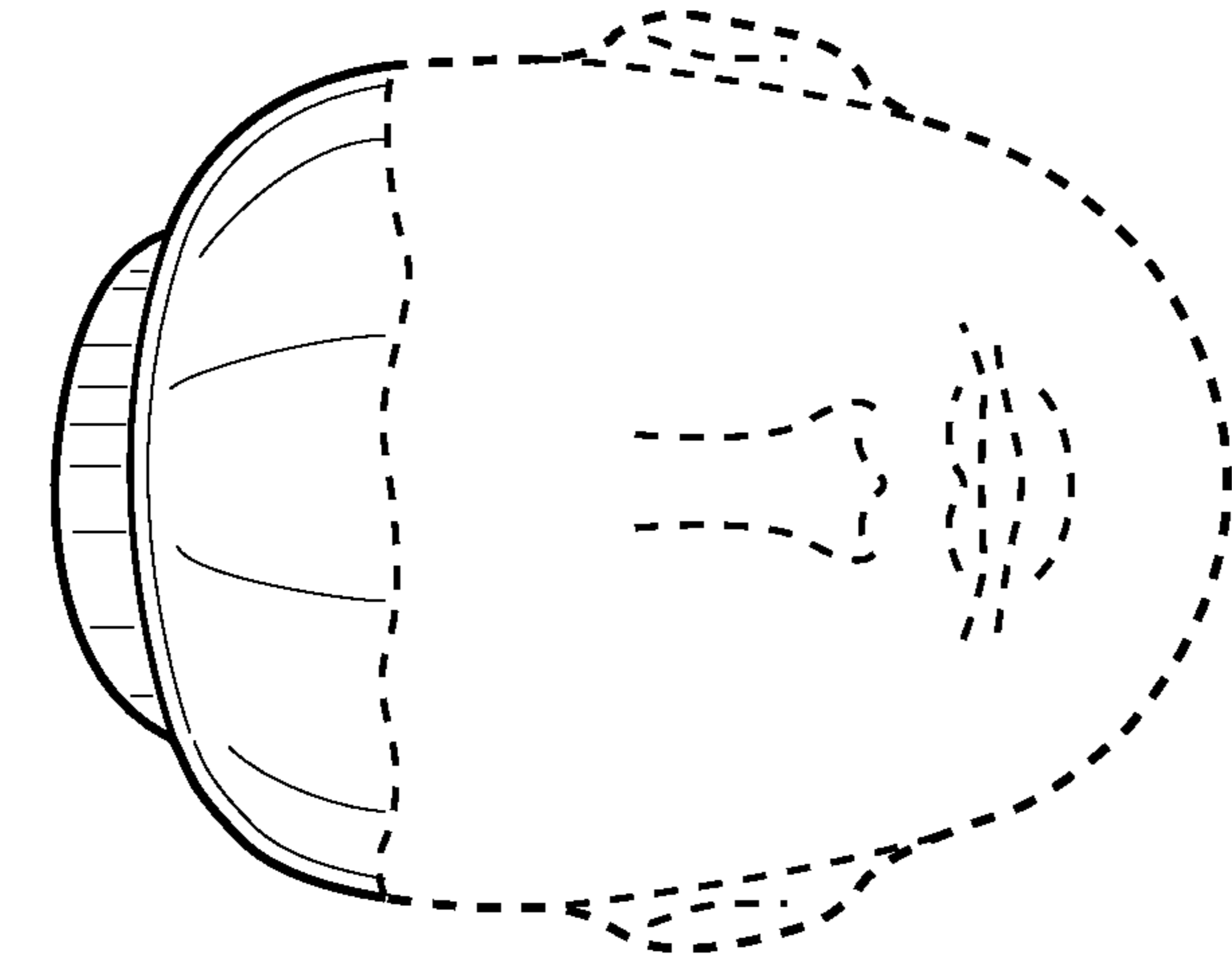


FIG. 2

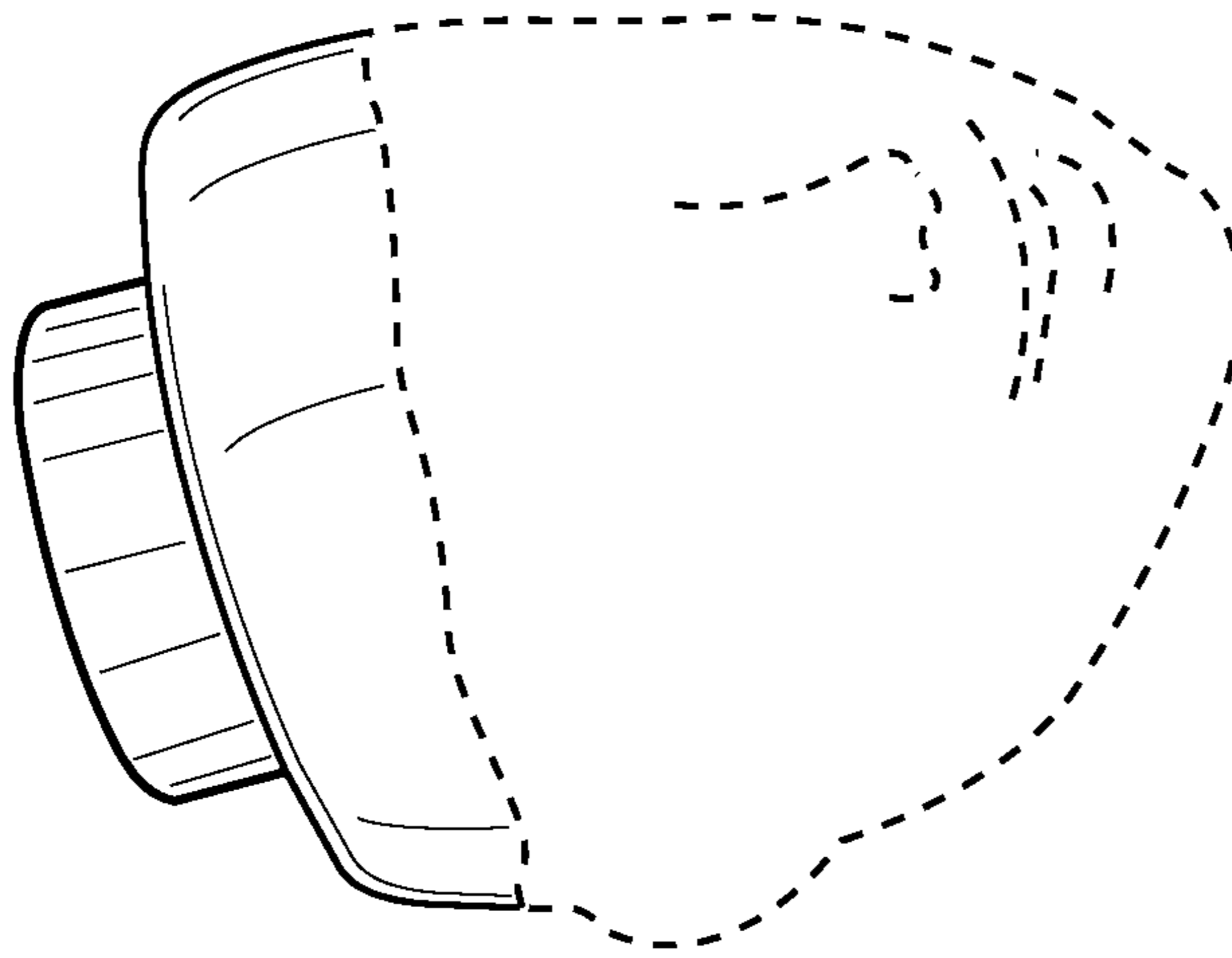


FIG. 1

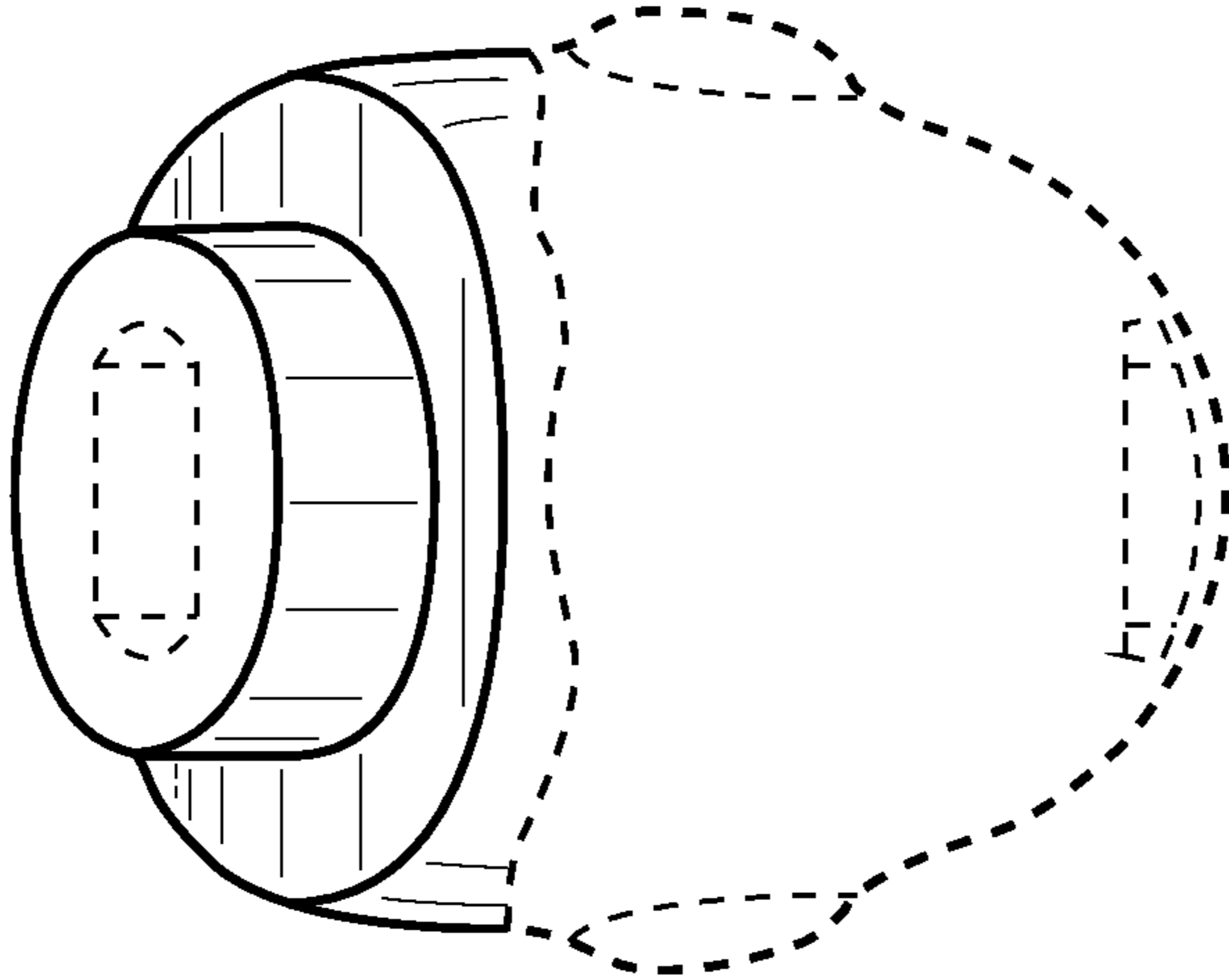


FIG. 4

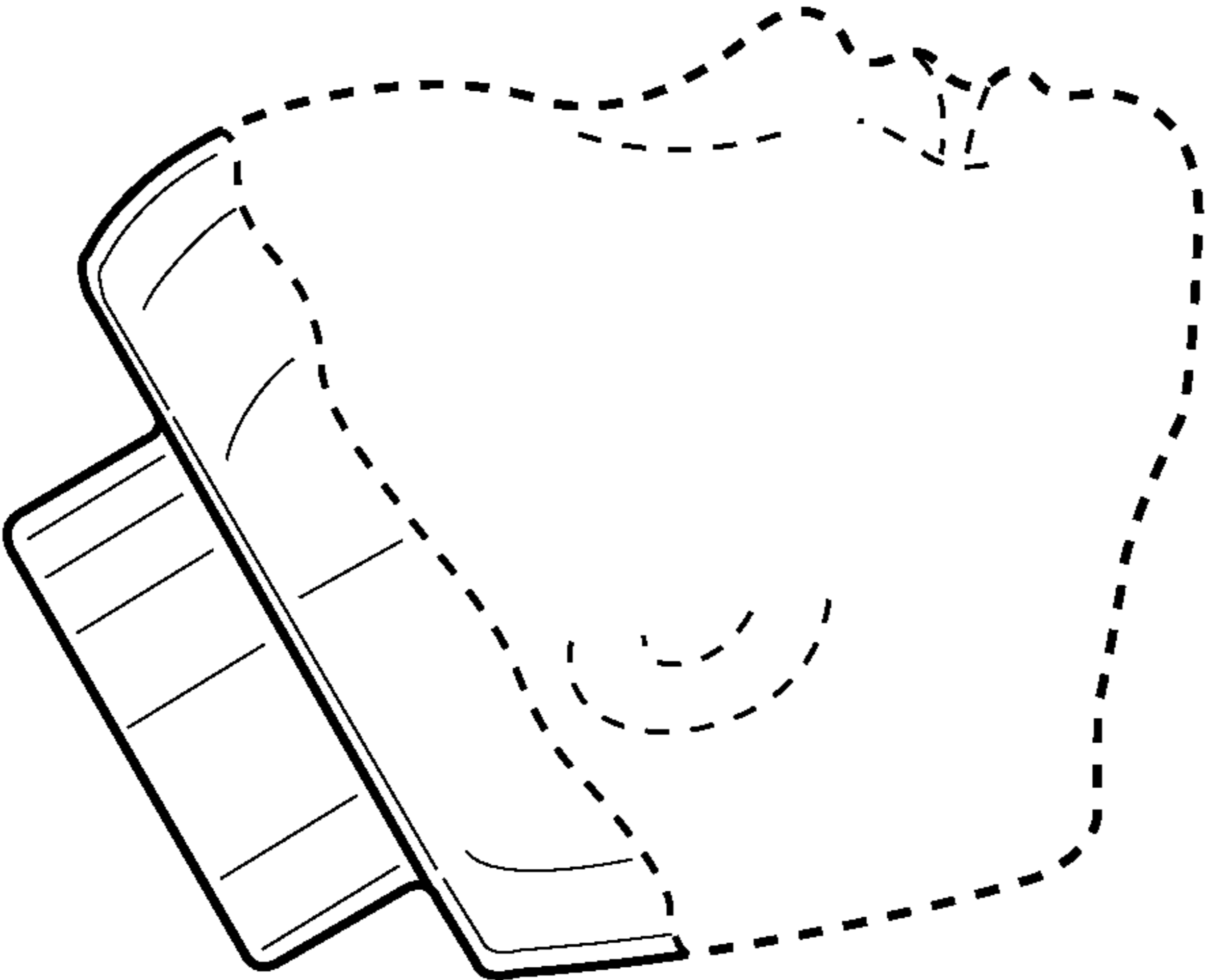


FIG. 3

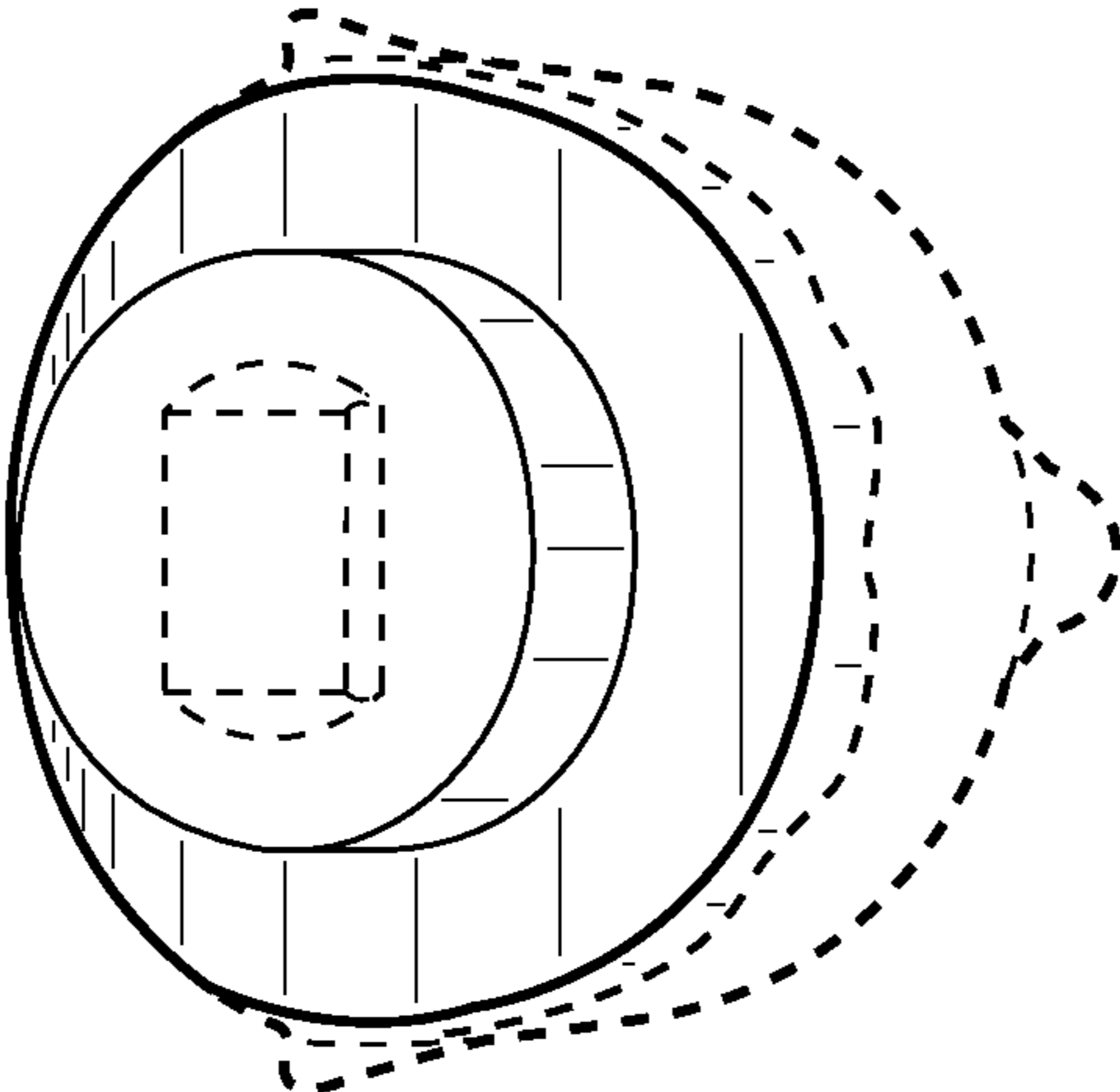


FIG. 5

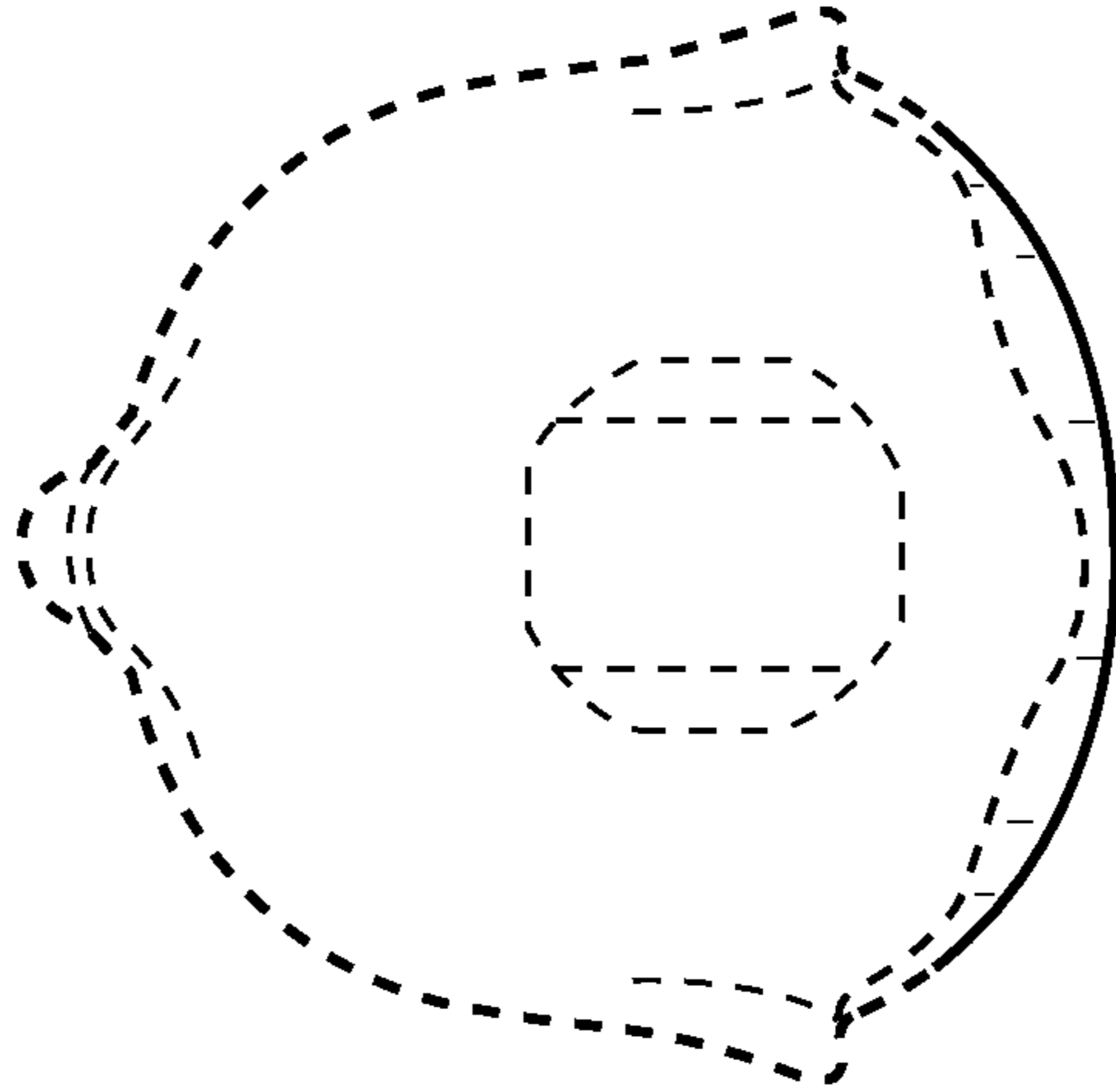


FIG. 6