



US00D687906S

(12) **United States Design Patent**
Riley et al.

(10) **Patent No.:** **US D687,906 S**

(45) **Date of Patent:** **** Aug. 13, 2013**

(54) **PAINTBALL BARREL SAFETY COVER**

(76) Inventors: **Damian Riley**, Berlin (DE); **Max Lundqvist**, Lidingo (SE); **Joakim Norin**, Hagersten (SE)

(**) Term: **14 Years**

(21) Appl. No.: **29/427,750**

(22) Filed: **Jul. 22, 2012**

(51) **LOC (9) Cl.** **21-01**

(52) **U.S. Cl.**
USPC **D21/573**

(58) **Field of Classification Search**
USPC D21/570–575; D22/108, 109; D24/130;
89/30, 31; 124/80, 83; 47/70.01, 70.11, 96;
42/96

See application file for complete search history.

(56) **References Cited**

U.S. PATENT DOCUMENTS

2,385,051	A *	9/1945	Berlin et al.	89/31
D271,126	S *	10/1983	Doak	D22/108
6,176,032	B1 *	1/2001	Cohen et al.	42/96
6,289,623	B1 *	9/2001	Cohen et al.	42/96
7,210,389	B2 *	5/2007	Ho et al.	89/30
7,421,935	B2 *	9/2008	Ho et al.	89/30
7,451,681	B2 *	11/2008	Ho et al.	89/30

D596,289	S *	7/2009	Kawamura	D24/130
D596,290	S *	7/2009	Kawamura	D24/130
2006/0277812	A1 *	12/2006	Cole	42/96

* cited by examiner

Primary Examiner — Cynthia M Chin

(74) *Attorney, Agent, or Firm* — QuickPatents; Kevin Prince

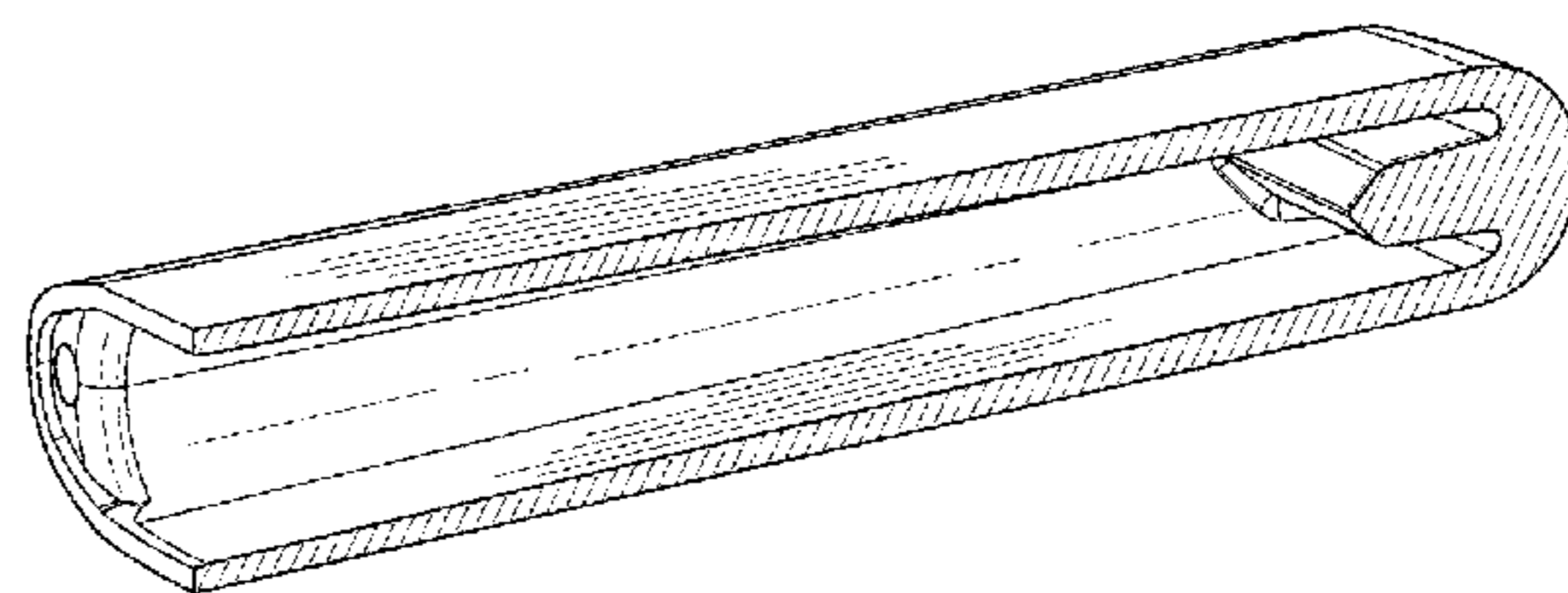
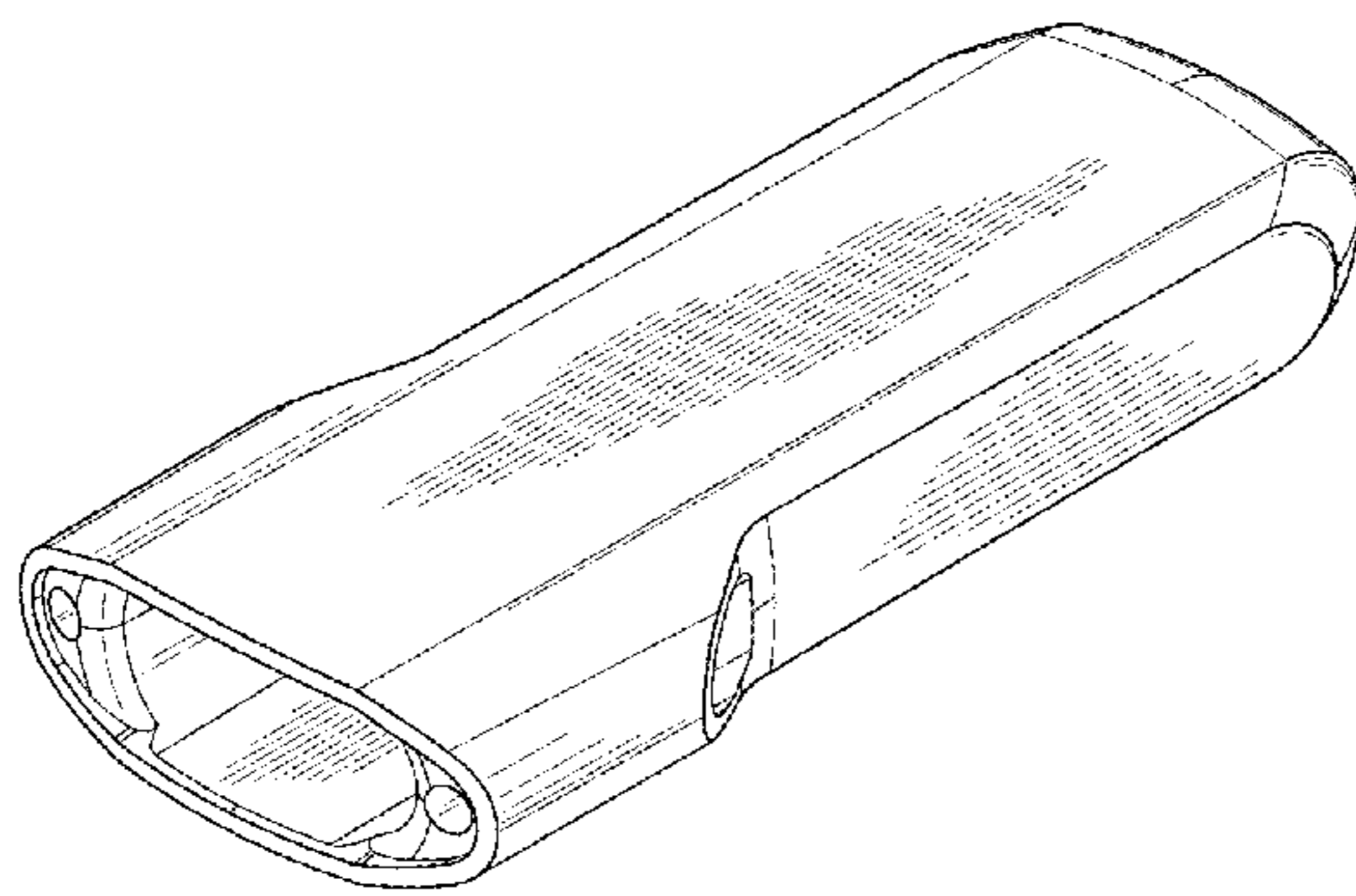
(57) **CLAIM**

We claim the ornamental design for a paintball barrel safety cover, as shown and described.

DESCRIPTION

FIG. 1 is a perspective view of a paintball barrel safety cover, showing our new design;
 FIG. 2 is a front elevational view thereof;
 FIG. 3 is a rear elevational view thereof;
 FIG. 4 is a top plan view thereof, the bottom plan view being a mirror image thereof;
 FIG. 5 is a left-side elevational view thereof, the right-side elevational view being a mirror image thereof;
 FIG. 6 is a cross-sectional view thereof, taken along lines 6-6 of FIG. 4; and,
 FIG. 7 is a perspective view of the cross-sectional view of FIG. 6.

1 Claim, 3 Drawing Sheets



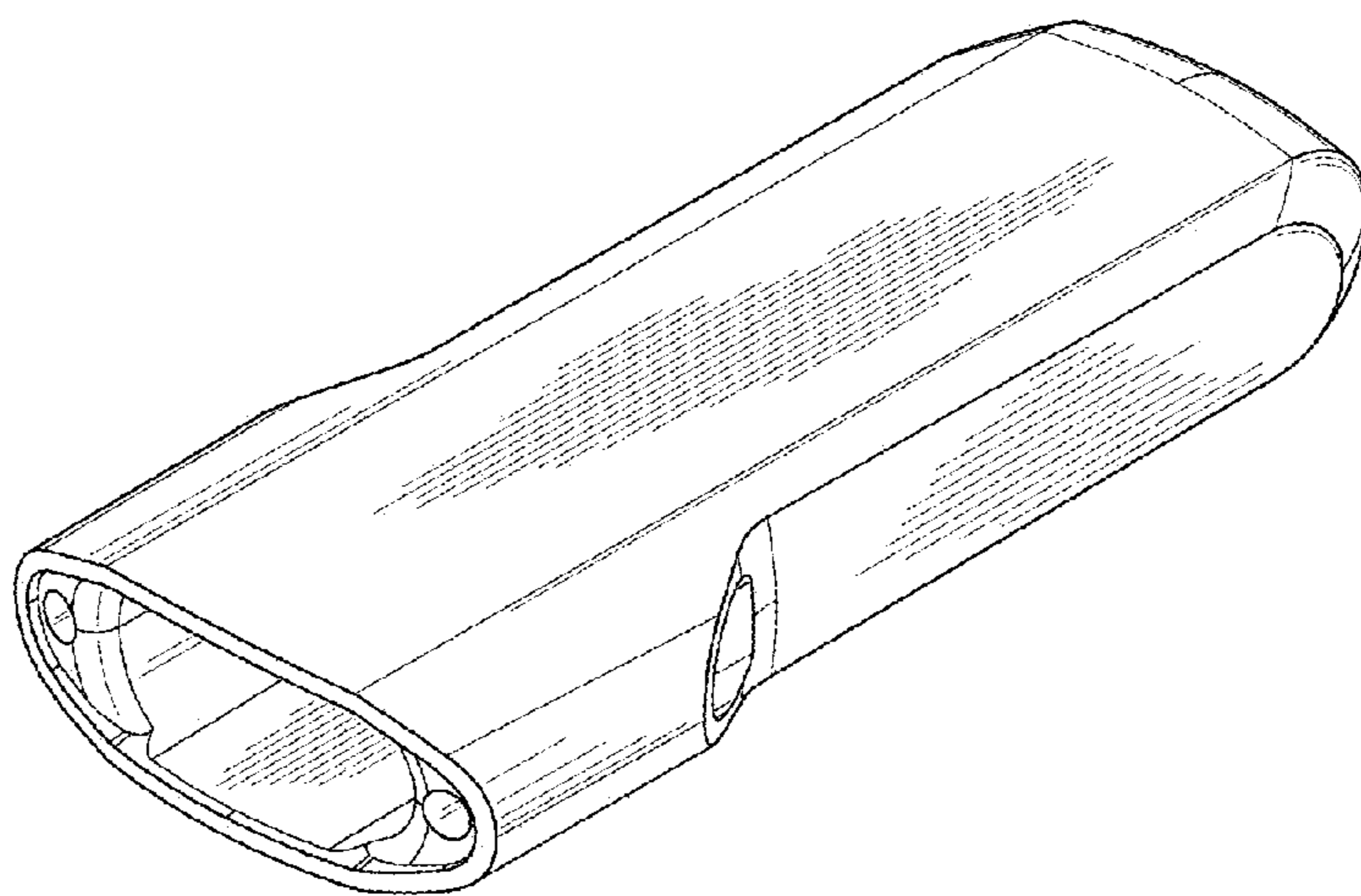


FIG. 1



FIG. 2

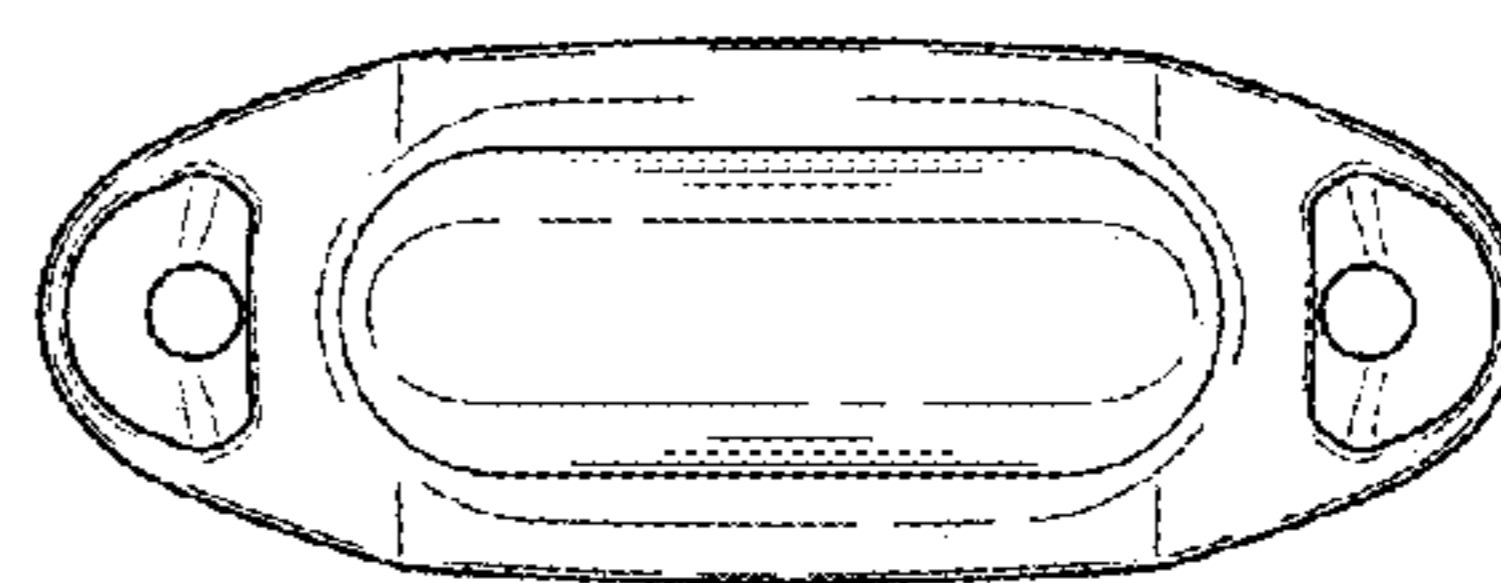


FIG. 3

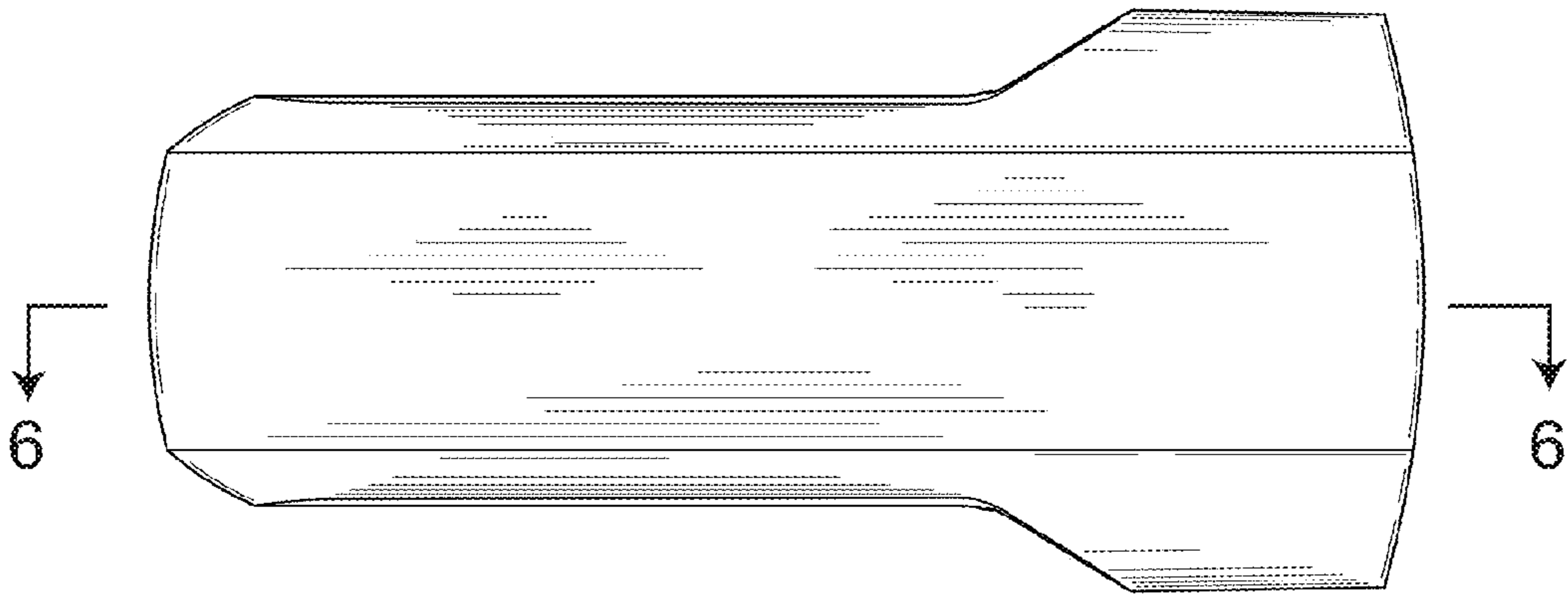


FIG. 4

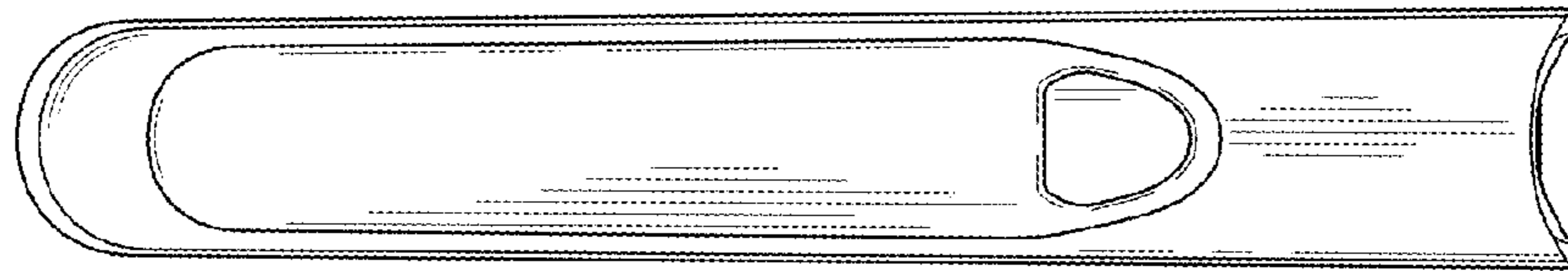


FIG. 5

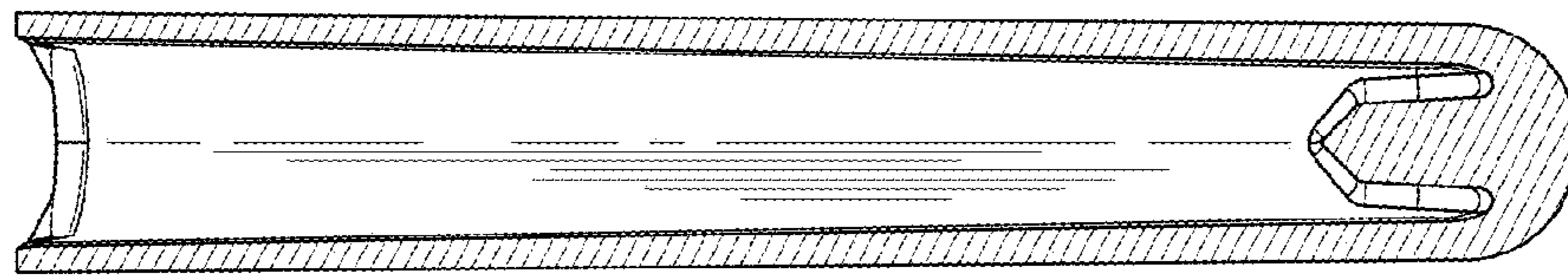


FIG. 6

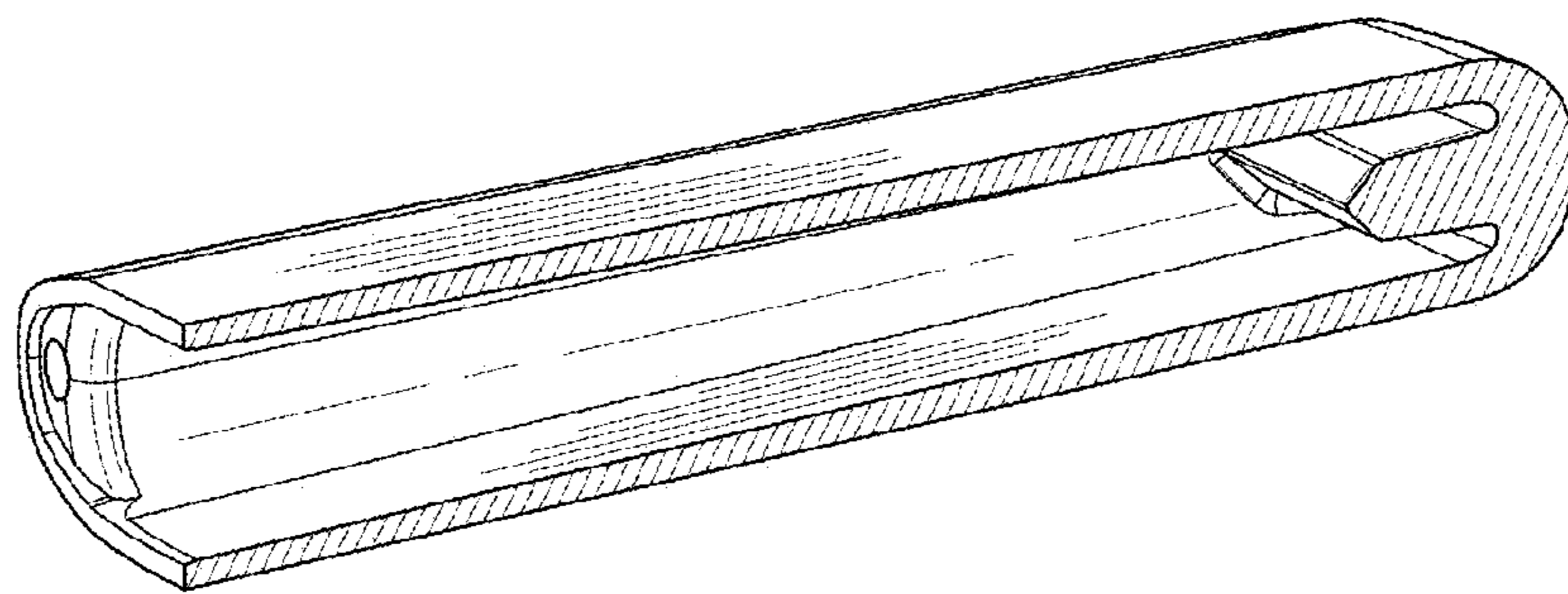


FIG. 7