



US00D687904S

(12) **United States Design Patent**  
**Hadley et al.**

(10) **Patent No.:** **US D687,904 S**

(45) **Date of Patent:** **\*\* Aug. 13, 2013**

(54) **PROJECTILE LAUNCHER**

(75) Inventors: **Robert Hadley**, Yorba Linda, CA (US);  
**Carlton Calvin**, San Marino, CA (US)

(73) Assignee: **Razor USA LLC**, Cerritos, CA (US)

(\*\*) Term: **14 Years**

(21) Appl. No.: **29/415,917**

(22) Filed: **Mar. 15, 2012**

(51) **LOC (9) Cl.** ..... **21-01**

(52) **U.S. Cl.**  
USPC ..... **D21/573**

(58) **Field of Classification Search**  
USPC ..... D21/333, 401, 461, 567, 568, 570-575;  
D14/418; D22/100, 101, 104, 105, 108-110;  
124/16, 26, 27, 28, 29, 54, 73-77; 222/78,  
222/79; 42/54, 57, 58; 446/23, 182, 192,  
446/401, 403, 405-407, 473, 475; D23/223,  
D23/226

See application file for complete search history.

(56) **References Cited**

**U.S. PATENT DOCUMENTS**

1,248,507	A	12/1917	Lefever	
2,031,785	A	2/1935	North et al.	
2,725,869	A	12/1955	Barber	
4,834,059	A	5/1989	Moorhouse et al.	
2,425,866	A	6/1994	Conklin	
5,535,729	A	7/1996	Griffin et al.	
D386,543	S *	11/1997	Chikui et al.	..... D14/418
5,988,152	A	11/1999	Halter et al.	
D436,356	S *	1/2001	Lee	..... D14/418
7,194,960	B2	3/2007	Vasel et al.	

7,287,526	B1 *	10/2007	Bligh et al.	..... 124/63
7,640,927	B1	1/2010	Broersma	
D660,920	S *	5/2012	Johnson et al.	..... D21/572
D660,923	S *	5/2012	Johnson	..... D21/573
D660,926	S *	5/2012	Mastin	..... D21/573

(Continued)

**FOREIGN PATENT DOCUMENTS**

FR	2 186 639	1/1974
GB	456 096 A	11/1936
GB	2 213 916	4/1990
WO	WO 98/31981	7/1998
WO	WO 02/054008	7/2002

*Primary Examiner* — Cynthia M Chin

(74) *Attorney, Agent, or Firm* — Knobbe Martens Olson & Bear, LLP

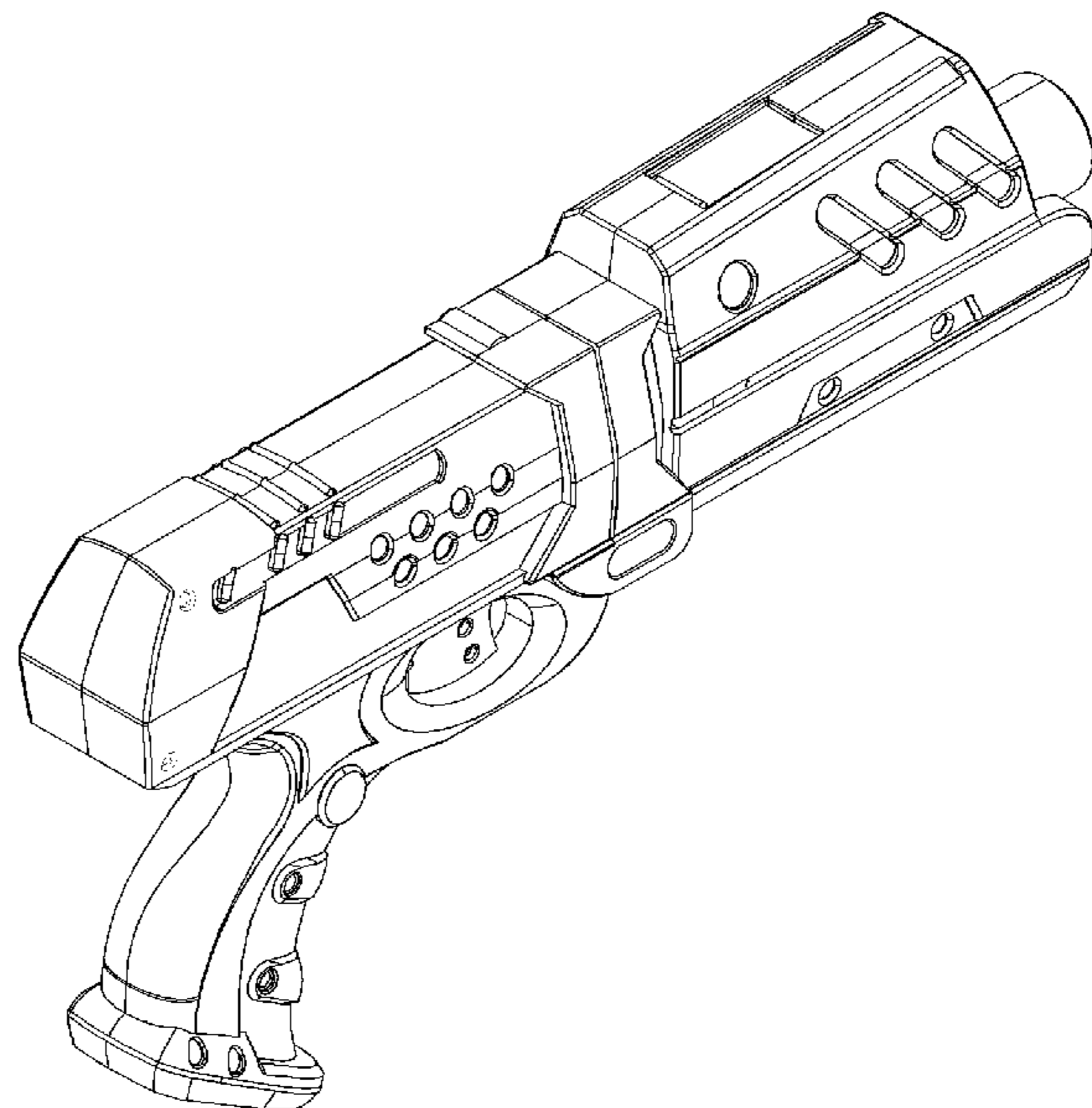
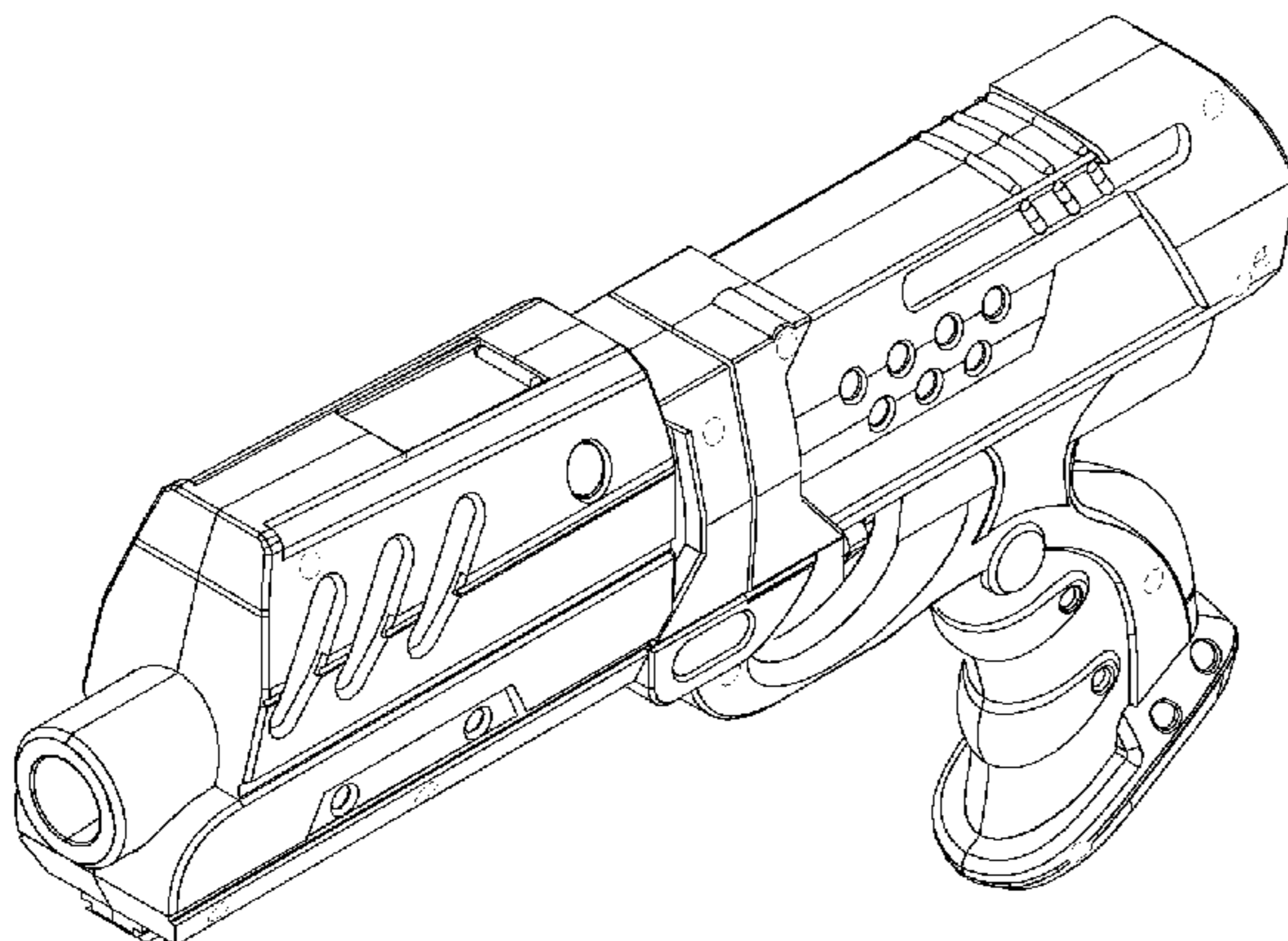
(57) **CLAIM**

The ornamental design for a projectile launcher, as shown and described.

**DESCRIPTION**

FIG. 1 is a front perspective view showing a new design; FIG. 2 is a rear perspective view of the design of FIG. 1; FIG. 3 is a right side view of the design of FIG. 1; FIG. 4 is a left side view of the design of FIG. 1; FIG. 5 is a top view of the design of FIG. 1; FIG. 6 is a bottom view of the design in FIG. 1; FIG. 7 is a rear view of the design in FIG. 1; and, FIG. 8 is a front view of the design in FIG. 1. Where utilized, the dashed lines are included for the purpose of illustrating the unclaimed portions of the article and form no part of the claimed design.

**1 Claim, 6 Drawing Sheets**



# US D687,904 S

Page 2

---

## U.S. PATENT DOCUMENTS

D673,625 S *	1/2013	Mowbray .....	D21/573	2006/0191523 A1	8/2006	Paletz
2004/0104533 A1	6/2004	Larson		2007/0034197 A1	2/2007	Tschech
2005/0066849 A1	3/2005	Kapeles et al.		2008/0053330 A1	3/2008	Haeselich
2006/0005732 A1	1/2006	Forster		2011/0271940 A1	11/2011	Meggs

\* cited by examiner

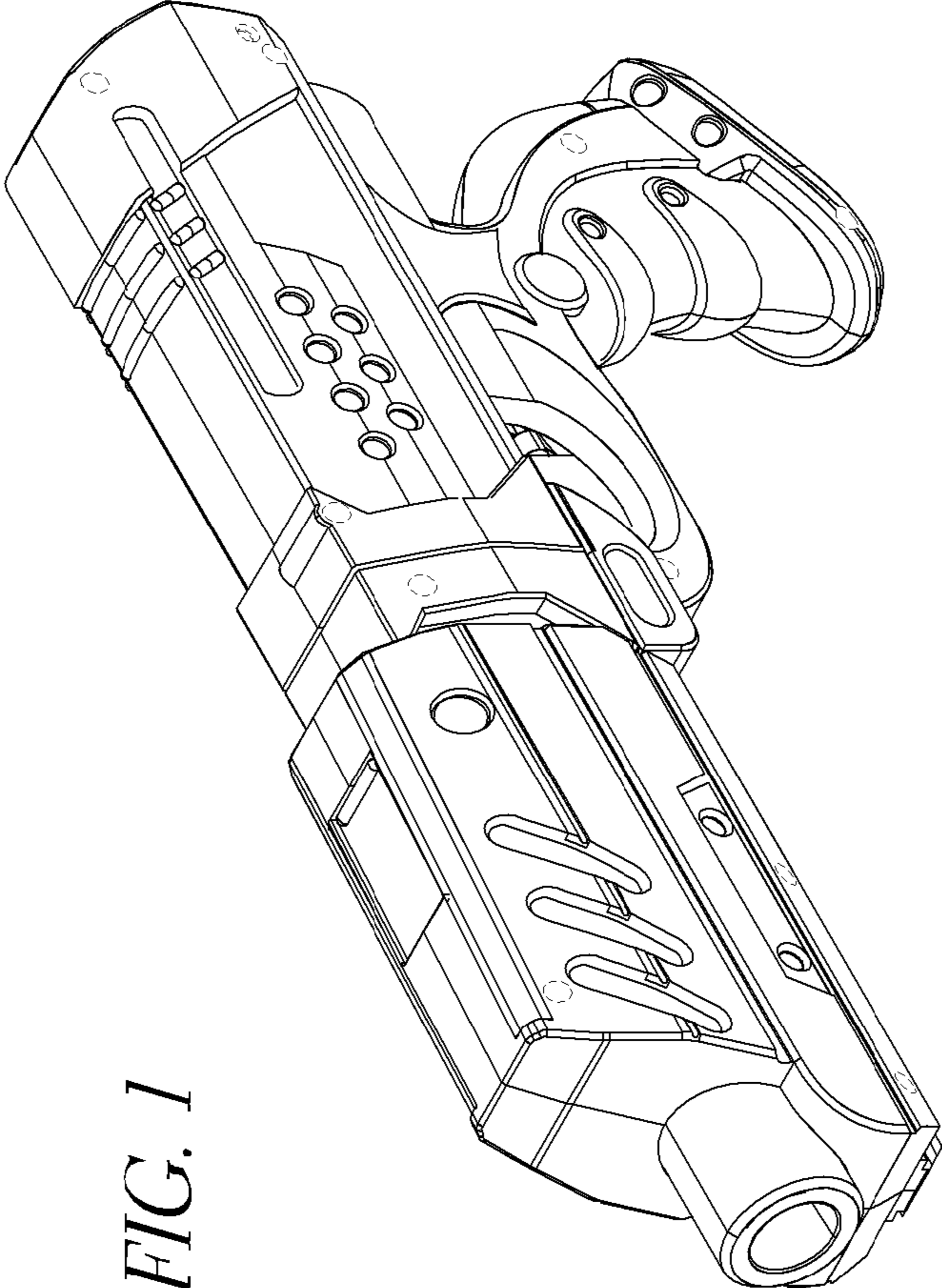


FIG. 1

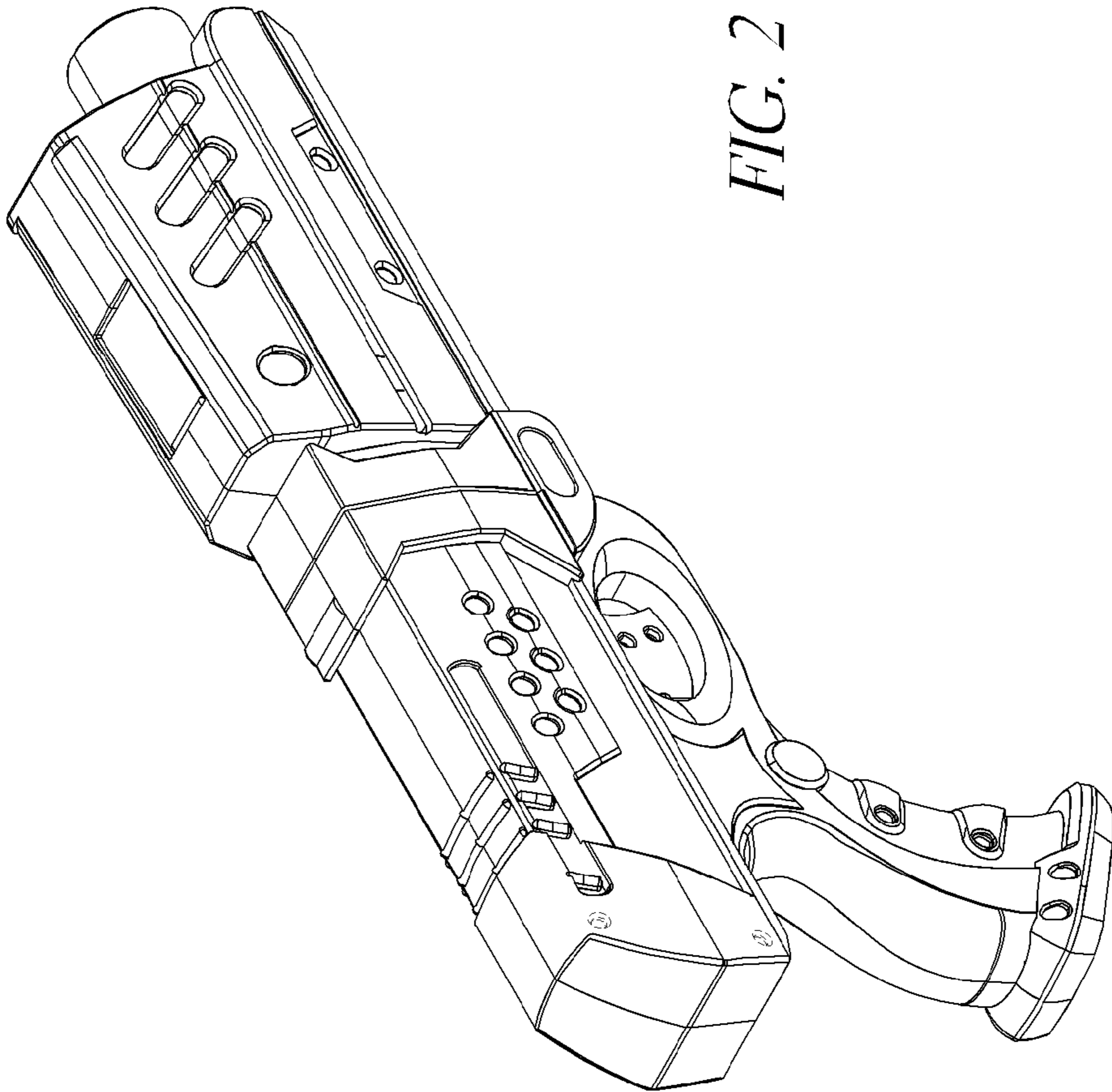


FIG. 2

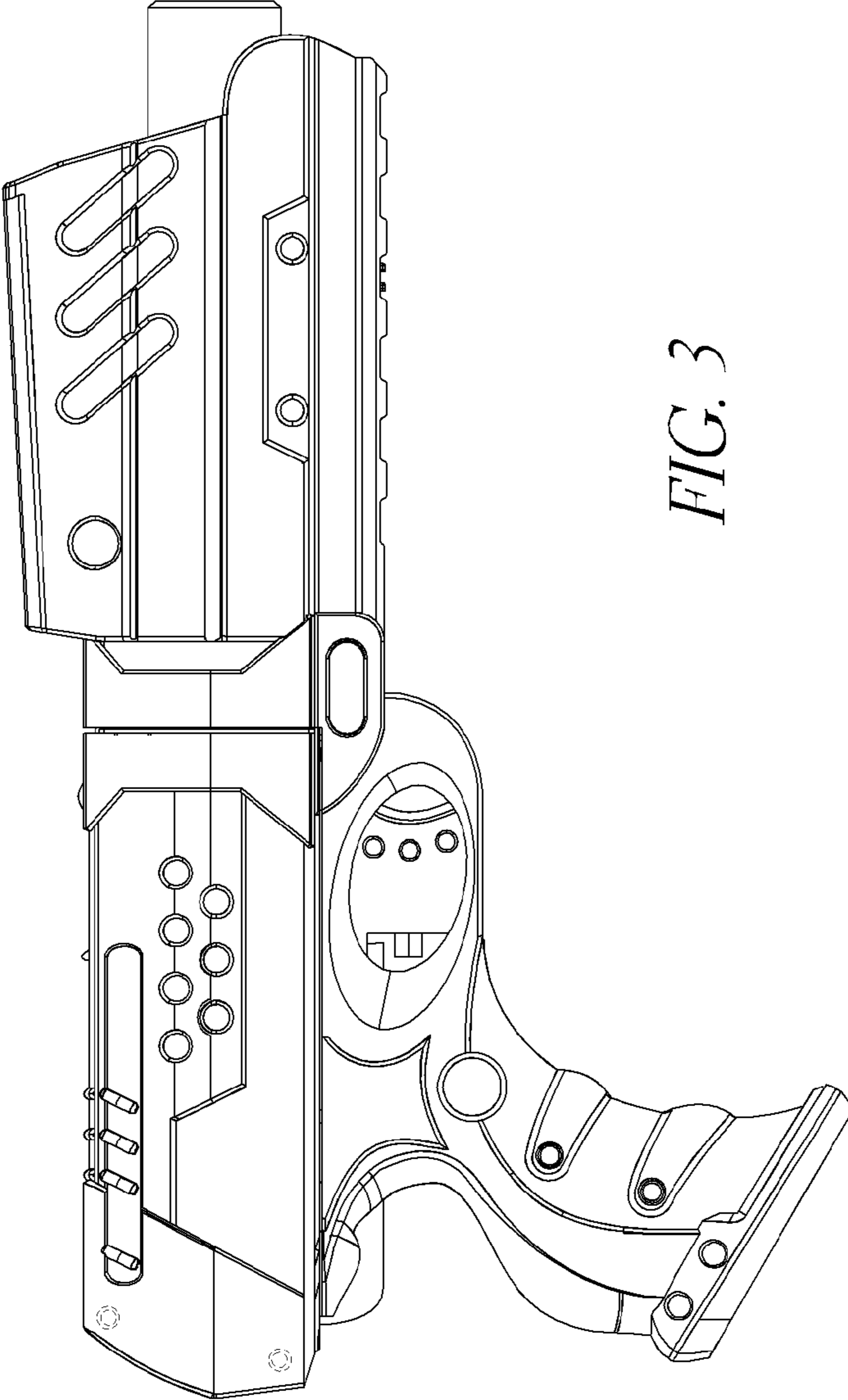


FIG. 3

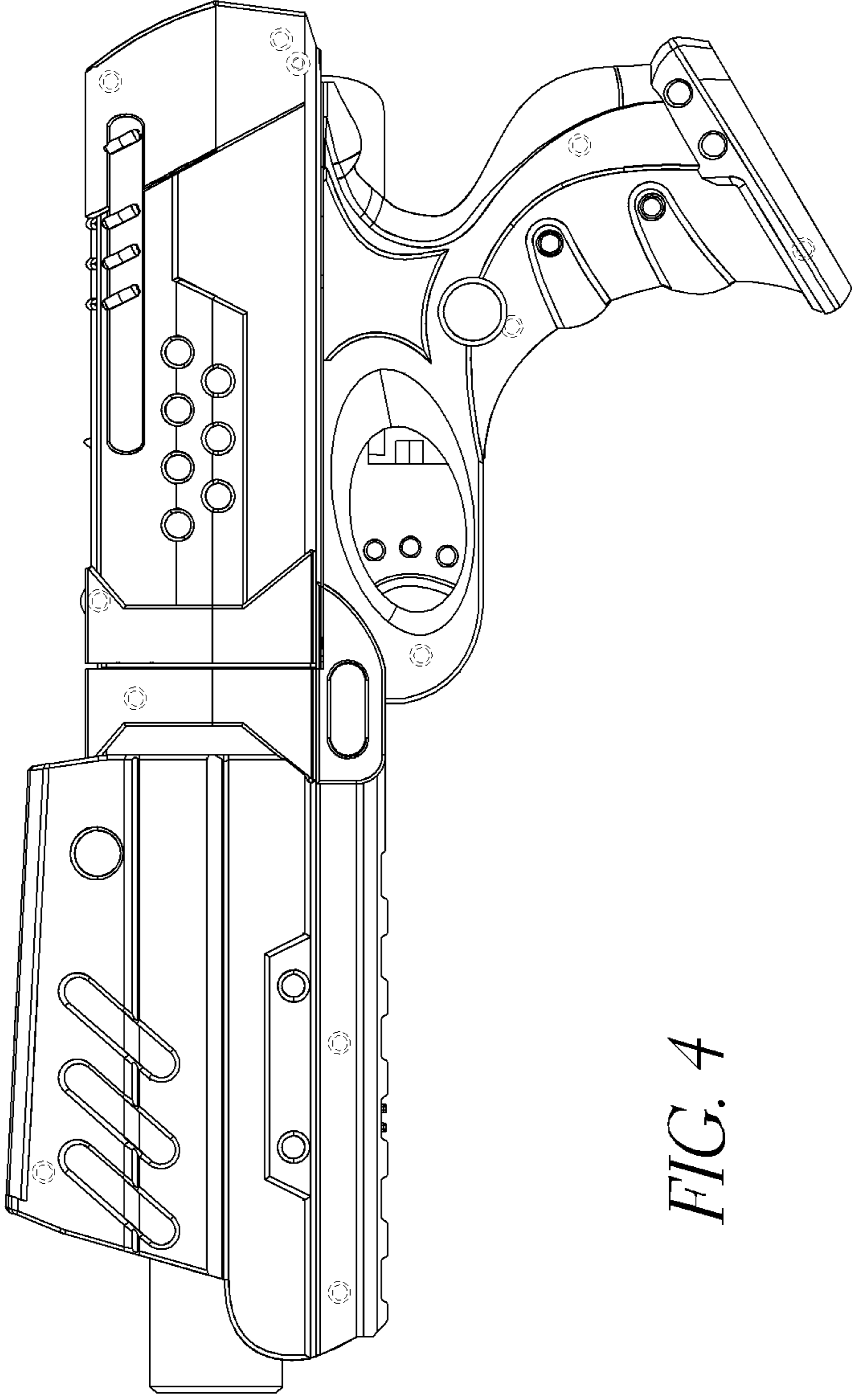


FIG. 4

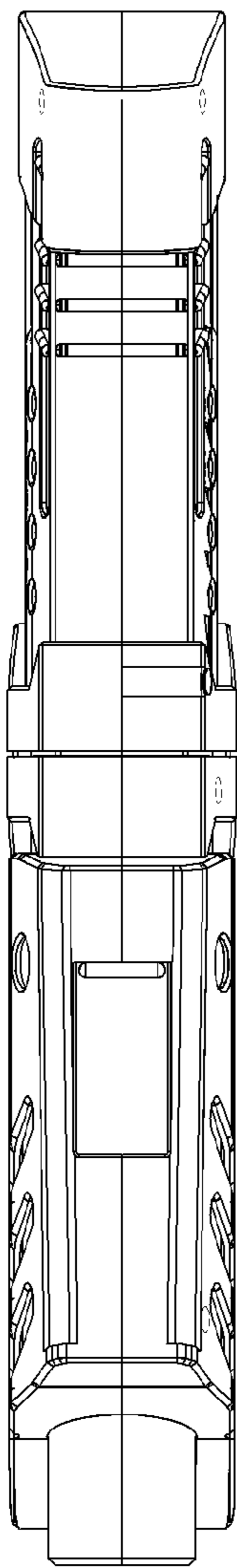


FIG. 5

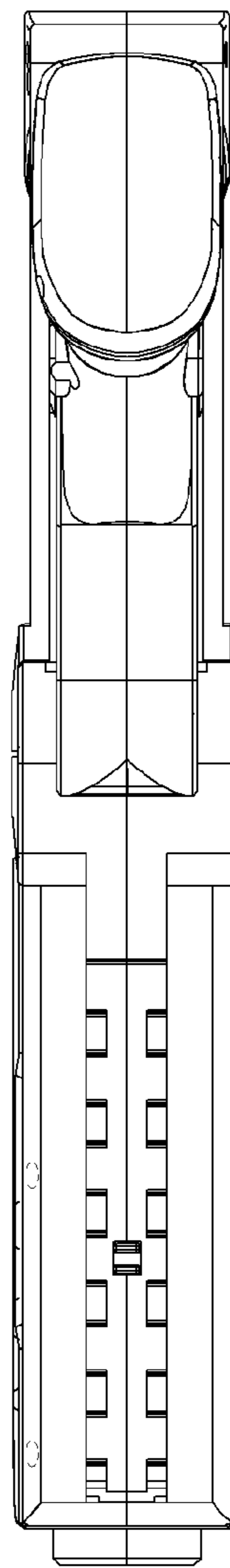


FIG. 6

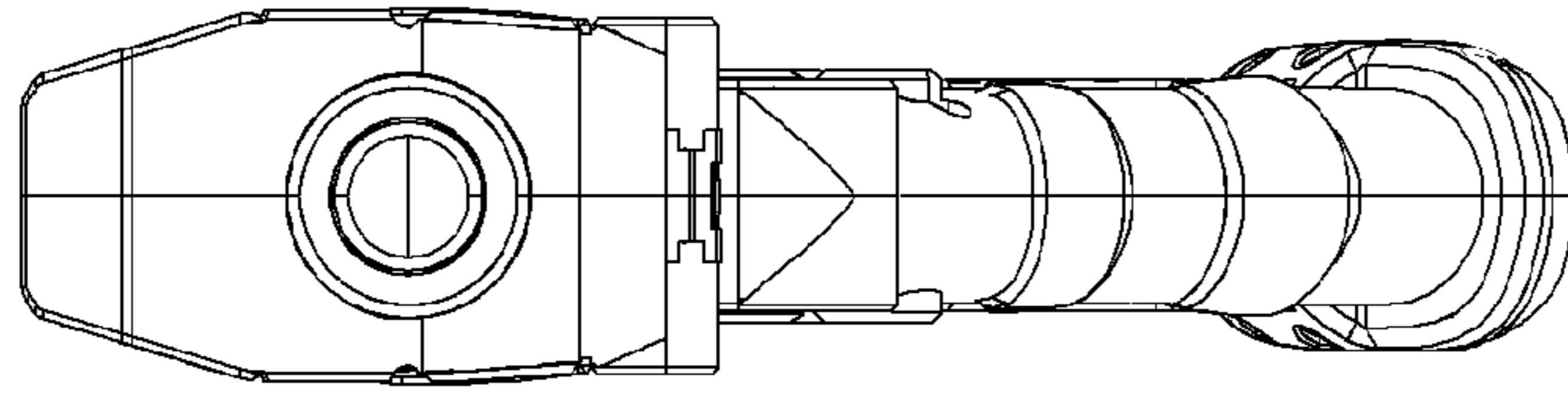


FIG. 8

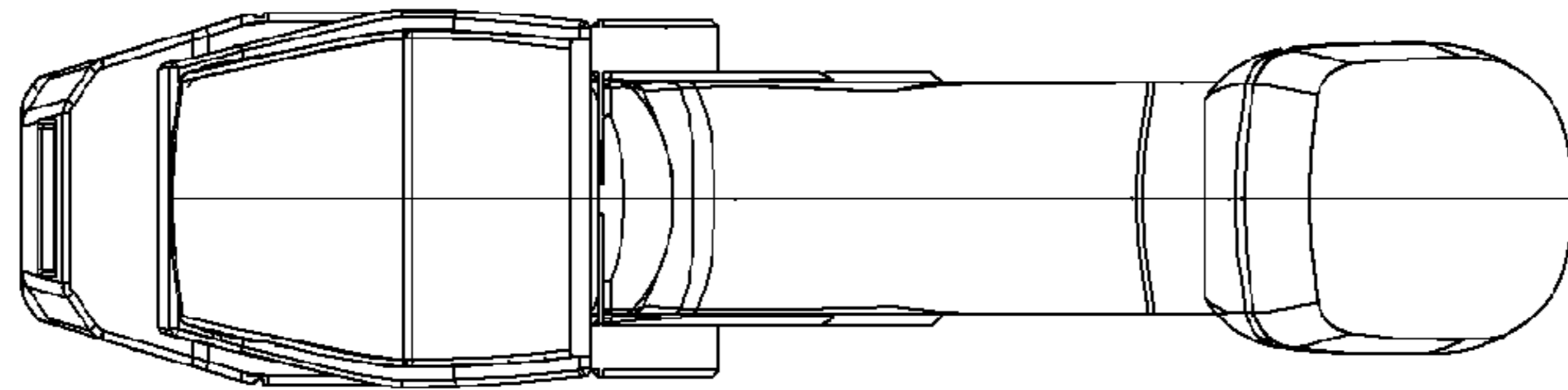


FIG. 7