



US00D687903S

(12) **United States Design Patent**  
**Mimlitch, III et al.**

(10) **Patent No.:** **US D687,903 S**

(45) **Date of Patent:** **\*\* Aug. 13, 2013**

(54) **TOY TRACK WITH PLATFORM**

(56) **References Cited**

(75) Inventors: **Robert H. Mimlitch, III**, Rowlett, TX (US); **David Anthony Norman**, Greenville, TX (US); **Douglas Michael Galletti**, Allen, TX (US); **Joel Reagan Carter**, Argyle, TX (US); **Paul David Copioli**, Greenville, TX (US)

(73) Assignee: **Innovation First, Inc.**, Greenville, TX (US)

(\*\*) Term: **14 Years**

(21) Appl. No.: **29/409,388**

(22) Filed: **Dec. 22, 2011**

U.S. PATENT DOCUMENTS

4,045,908	A	9/1977	Ensmann et al.	
D306,466	S	3/1990	Elliott et al.	
D344,554	S	2/1994	Ruszkai	
D361,802	S	8/1995	Shiraishi	
5,643,040	A *	7/1997	Hippely et al.	446/429
5,974,977	A *	11/1999	Johnson et al.	104/60
7,549,906	B2 *	6/2009	Bedford et al.	446/444
7,685,948	B2 *	3/2010	Tezuka	104/252
D640,331	S *	6/2011	Beauregard et al.	D21/565
2008/0173726	A1	7/2008	Tezuka	
2008/0265048	A1	10/2008	O'Connor	

\* cited by examiner

*Primary Examiner* — Cynthia M Chin

(74) *Attorney, Agent, or Firm* — Fish & Richardson P.C.

**Related U.S. Application Data**

(62) Division of application No. 29/375,631, filed on Sep. 24, 2010, now Pat. No. Des. 654,121.

(51) **LOC (9) Cl.** ..... **21-01**

(52) **U.S. Cl.**  
USPC ..... **D21/565**

(58) **Field of Classification Search**  
USPC ..... D21/484, 490, 493, 564, 565, 802, D21/818, 821; 446/168–174, 84, 89, 108, 446/112, 114, 116, 124–128, 429, 444–447; 463/58–69; 238/10 R, 10 A–10 C, 10 E, 238/10 F; 104/60, 69

See application file for complete search history.

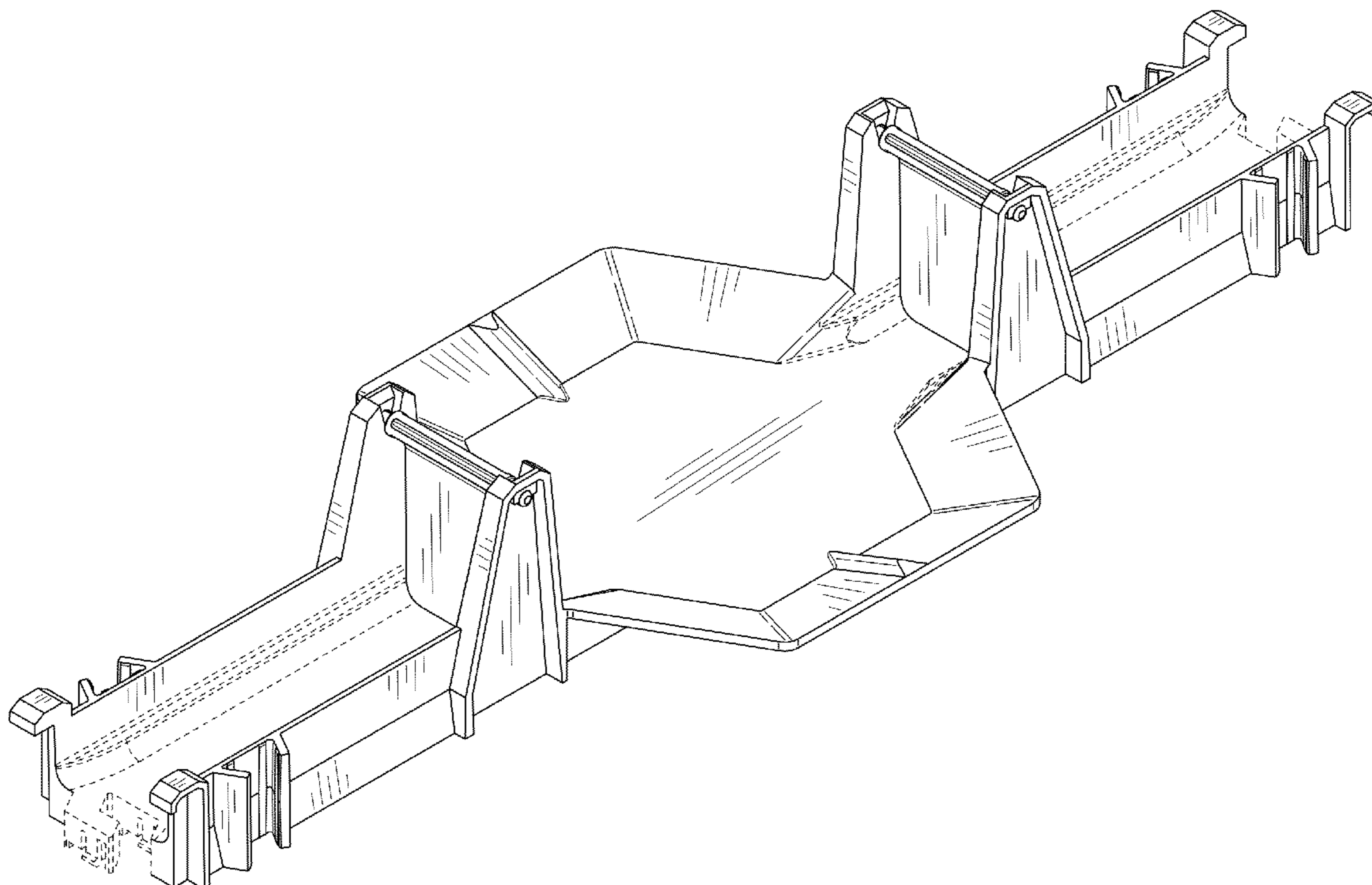
(57) **CLAIM**

The ornamental design for a toy track with platform, as shown and described.

**DESCRIPTION**

FIG. 1 is a first perspective view of a toy track with platform showing the top, front, and right side views of our new design; FIG. 2 is a front side view thereof; FIG. 3 is a rear side view thereof; and, FIG. 4 is a top plan view thereof. The broken lines are for environmental purposes only and form no part of the claimed design.

**1 Claim, 3 Drawing Sheets**



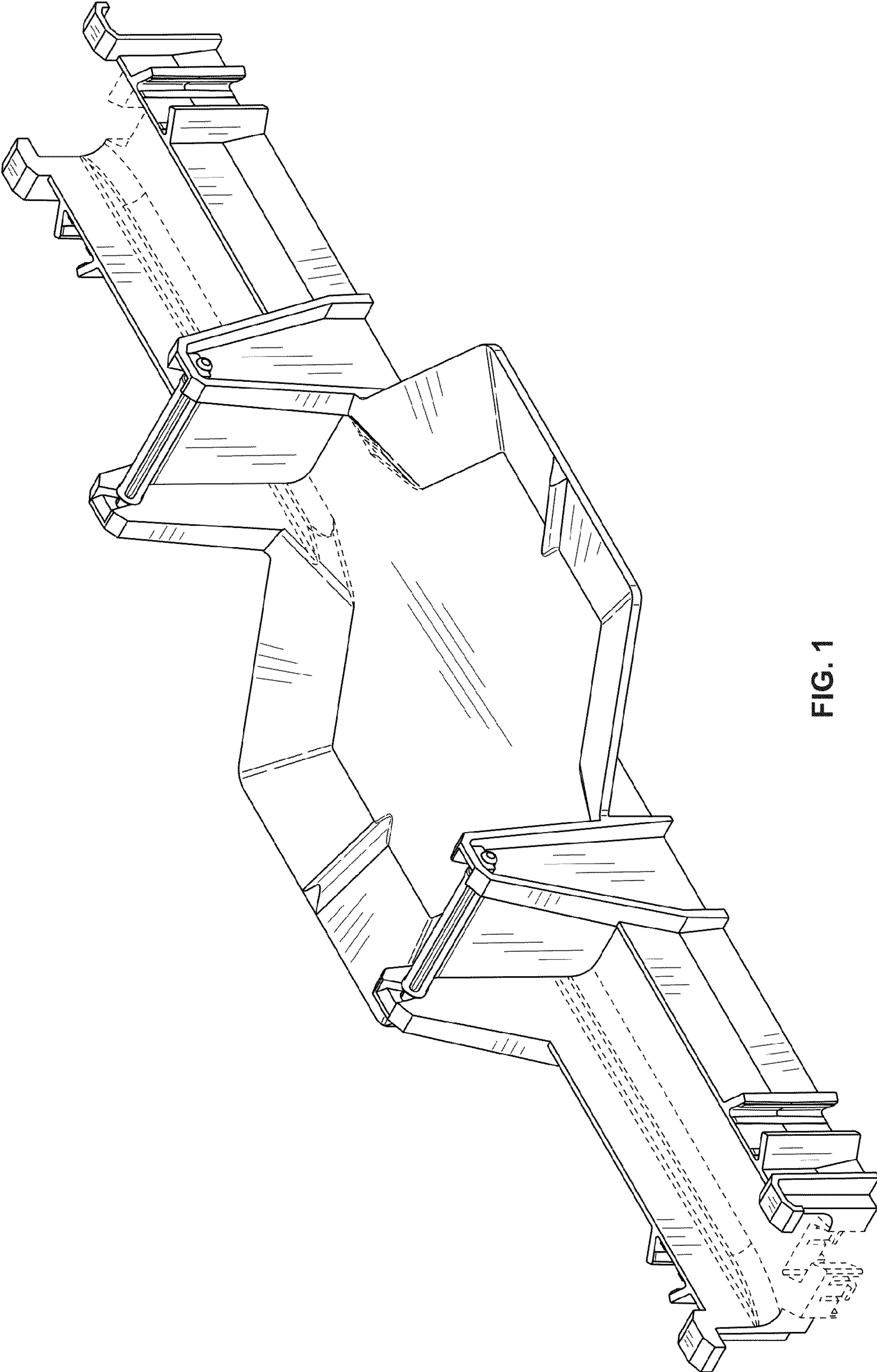


FIG. 1

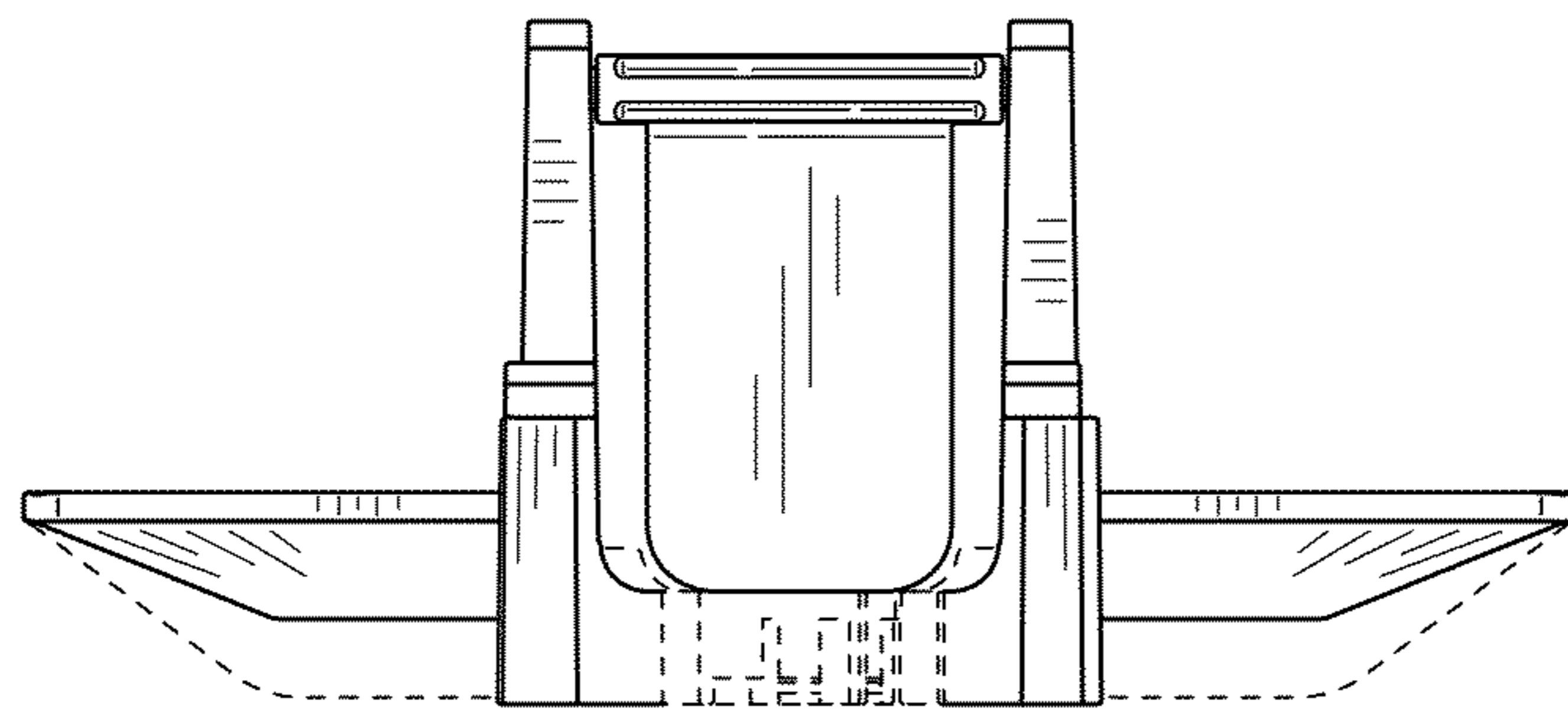


FIG. 2

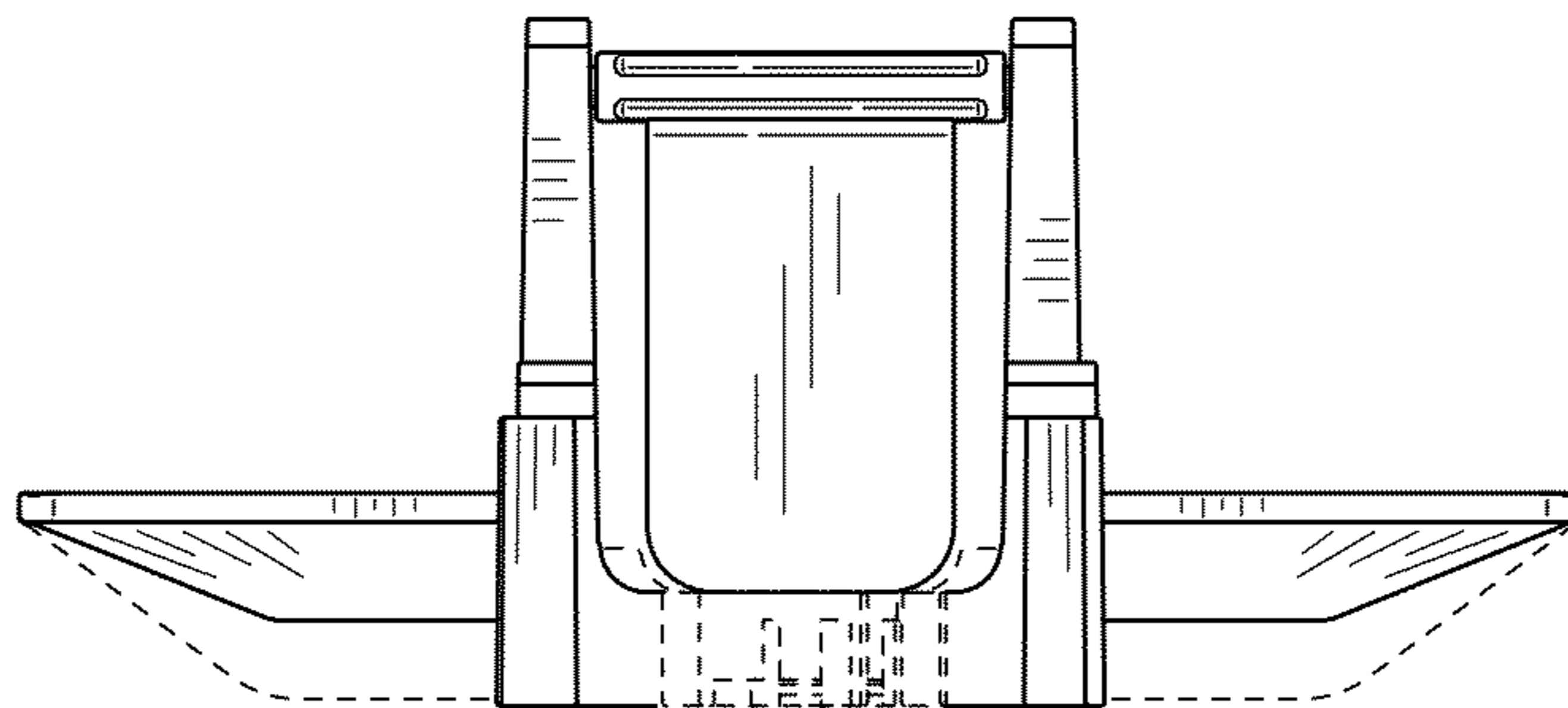


FIG. 3

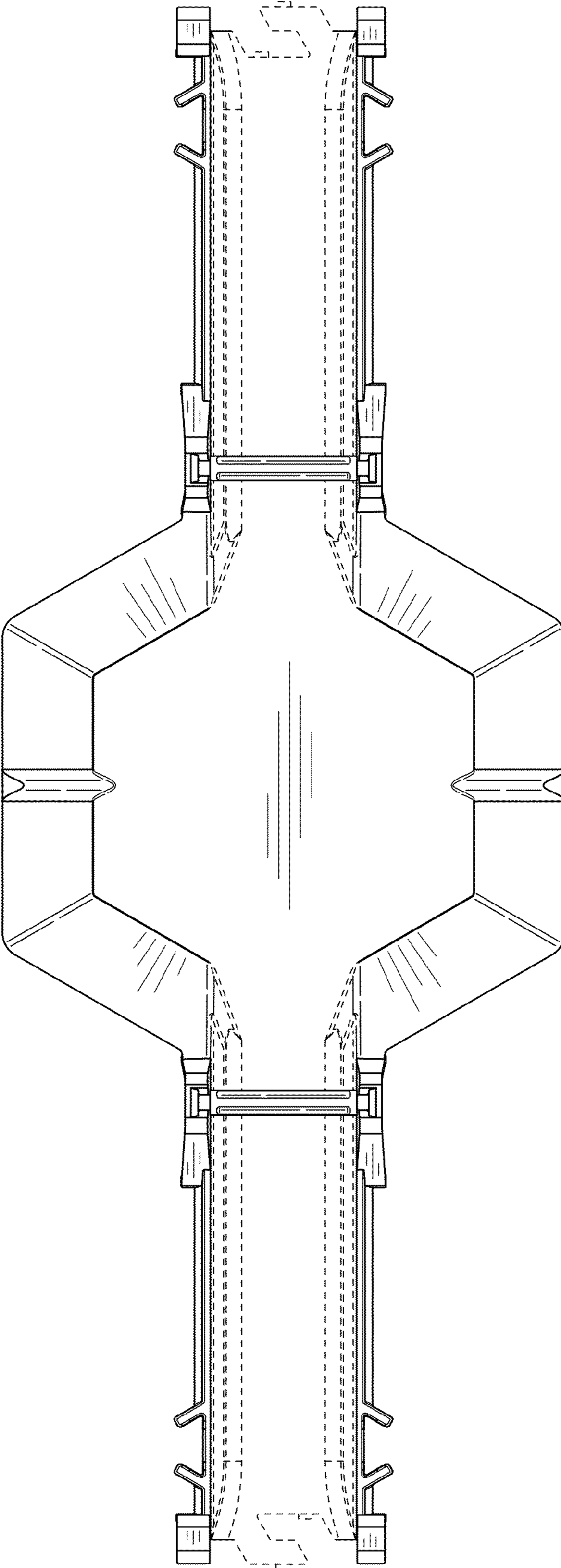


FIG. 4