



US00D687900S

(12) **United States Design Patent**
Blanco et al.

(10) **Patent No.:** **US D687,900 S**

(45) **Date of Patent:** **** Aug. 13, 2013**

(54) **TRAIN RIDE TOY**

(76) Inventors: **Mirta Blanco**, Miramar, FL (US);
Marizel Garciga, Miramar, FL (US)

(**) Term: **14 Years**

(21) Appl. No.: **29/418,441**

(22) Filed: **Apr. 17, 2012**

(51) **LOC (9) Cl.** **21-01**

(52) **U.S. Cl.**
USPC **D21/427; D21/541**

(58) **Field of Classification Search**
USPC D21/419, 424, 426, 427, 433, 540,
D21/541, 551; D12/36-38, 410; 446/451,
446/465, 467; 280/828, 47.25, 87.01, 43.23,
280/256, 827
See application file for complete search history.

D264,362 S *	5/1982	Mariol	D21/541
D264,955 S	6/1982	Johnson		
4,417,523 A *	11/1983	Mariol	105/1.5
D289,537 S *	4/1987	Leung	D21/541
D305,011 S	12/1989	Pipon		
D308,704 S *	6/1990	Weiland	D21/427
D330,737 S *	11/1992	Silber	D21/427
5,265,912 A *	11/1993	Natividad	280/828
D351,447 S *	10/1994	Barnes	D21/541
D365,313 S	12/1995	Mosetich et al.		
D389,534 S *	1/1998	Schulz	D21/541
D405,394 S	2/1999	Polak et al.		
D425,946 S *	5/2000	Wei	D21/541
D436,145 S *	1/2001	Chan	D21/541
D560,728 S *	1/2008	Chung	D21/427
D588,650 S *	3/2009	Yen	D21/427

* cited by examiner

Primary Examiner — Cynthia M Chin

(57) **CLAIM**

We claim the ornamental design for a train ride toy, as shown and described.

(56) **References Cited**

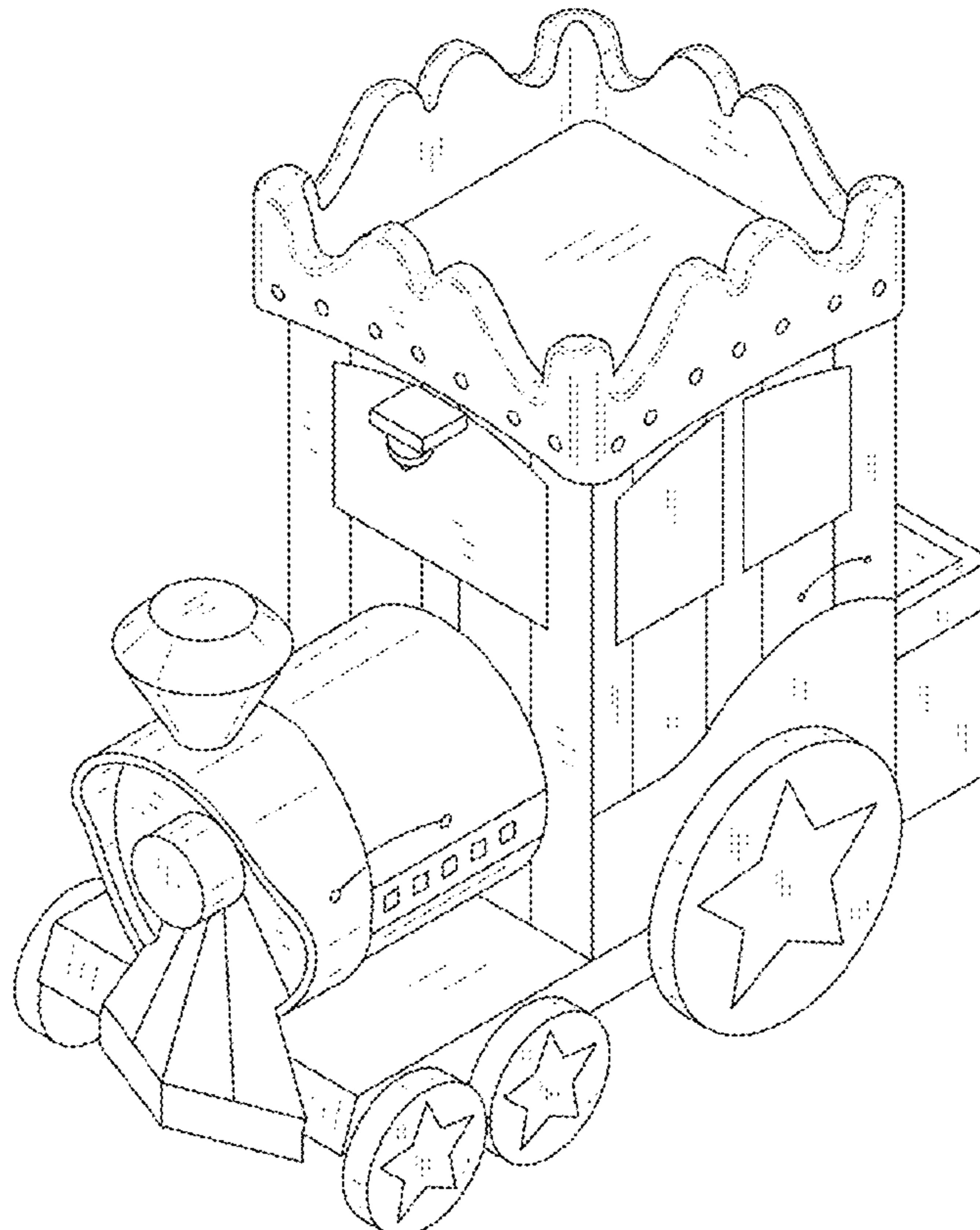
U.S. PATENT DOCUMENTS

D54,380 S *	2/1920	Connor	D21/427
2,539,236 A	1/1951	Dore		
D217,374 S *	4/1970	Hublak	D21/427
D221,163 S *	7/1971	Tung	D21/541
3,804,427 A *	4/1974	Lohr et al.	280/828
D235,217 S *	5/1975	Lohr et al.	D21/427
4,089,543 A	5/1978	Osborne		
D257,362 S *	10/1980	Imura	D21/427

DESCRIPTION

FIG. 1 is a side view of the train ride toy.
FIG. 2 is a front view of the claimed design.
FIG. 3 is a rear view of the claimed design.
FIG. 4 is a top view of the claimed design.
FIG. 5 is a bottom view of the claimed design; and,
FIG. 6 is an isometric view of the claimed design.

1 Claim, 4 Drawing Sheets



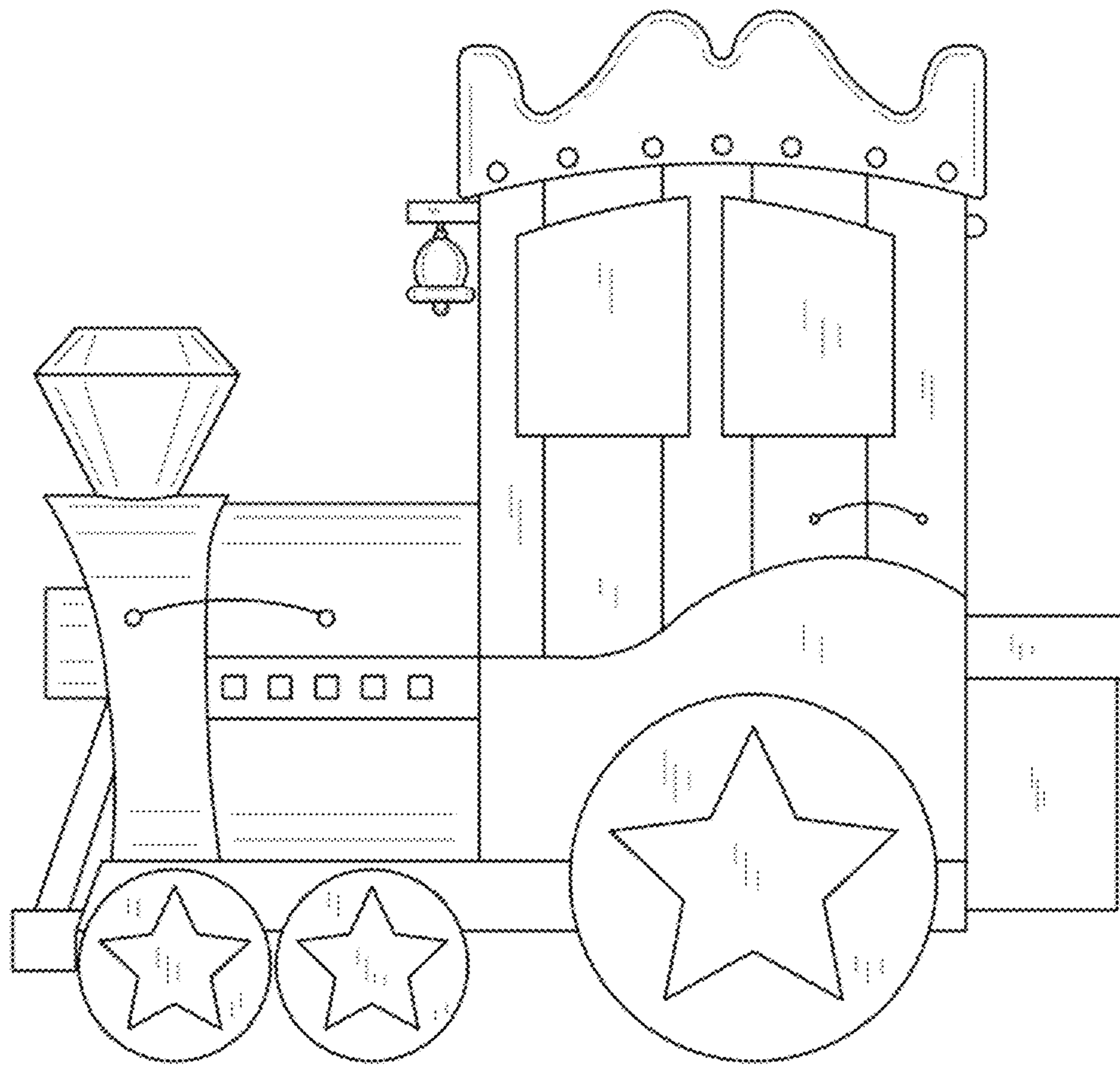


FIG. 1

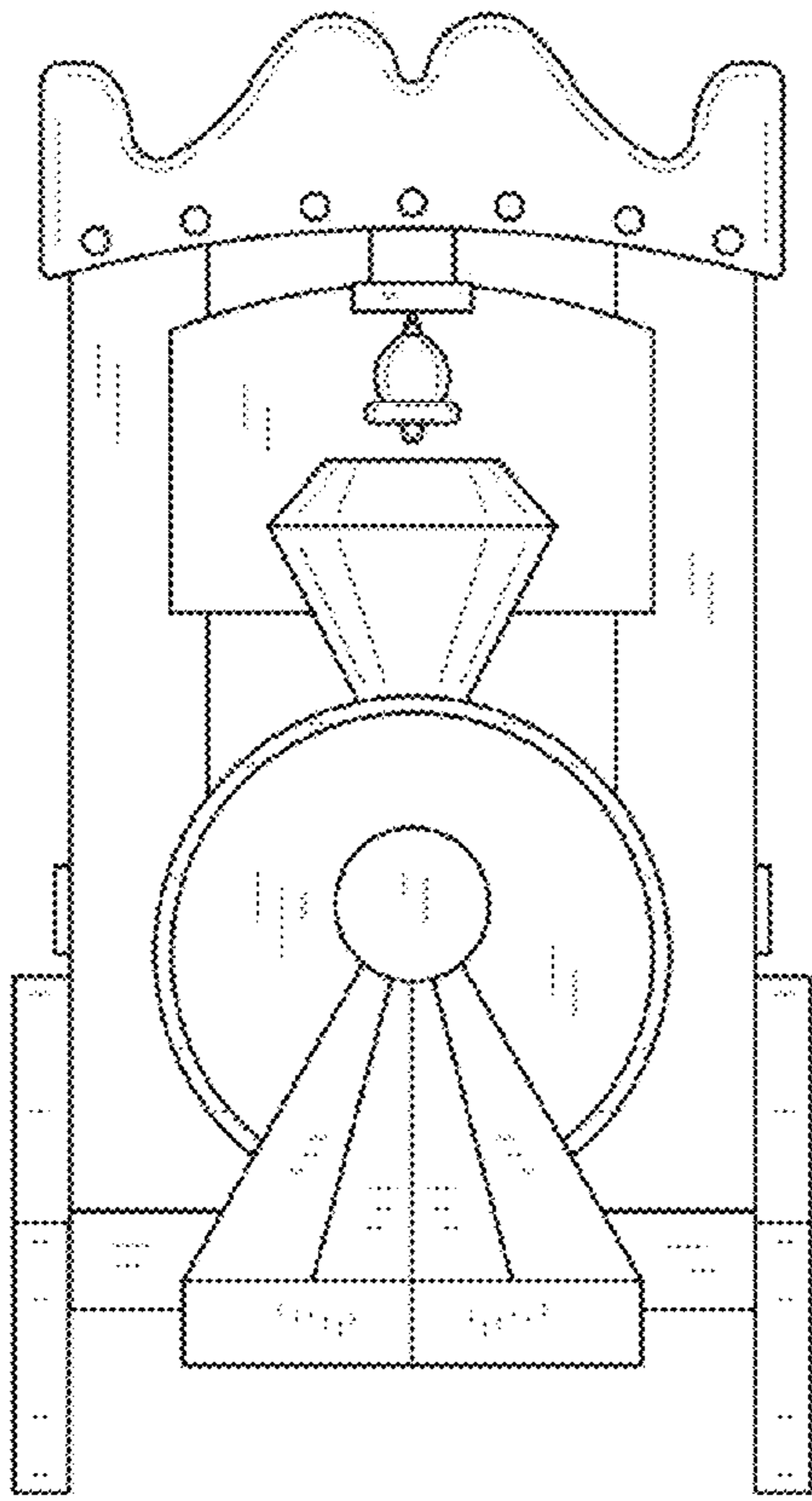


FIG. 2

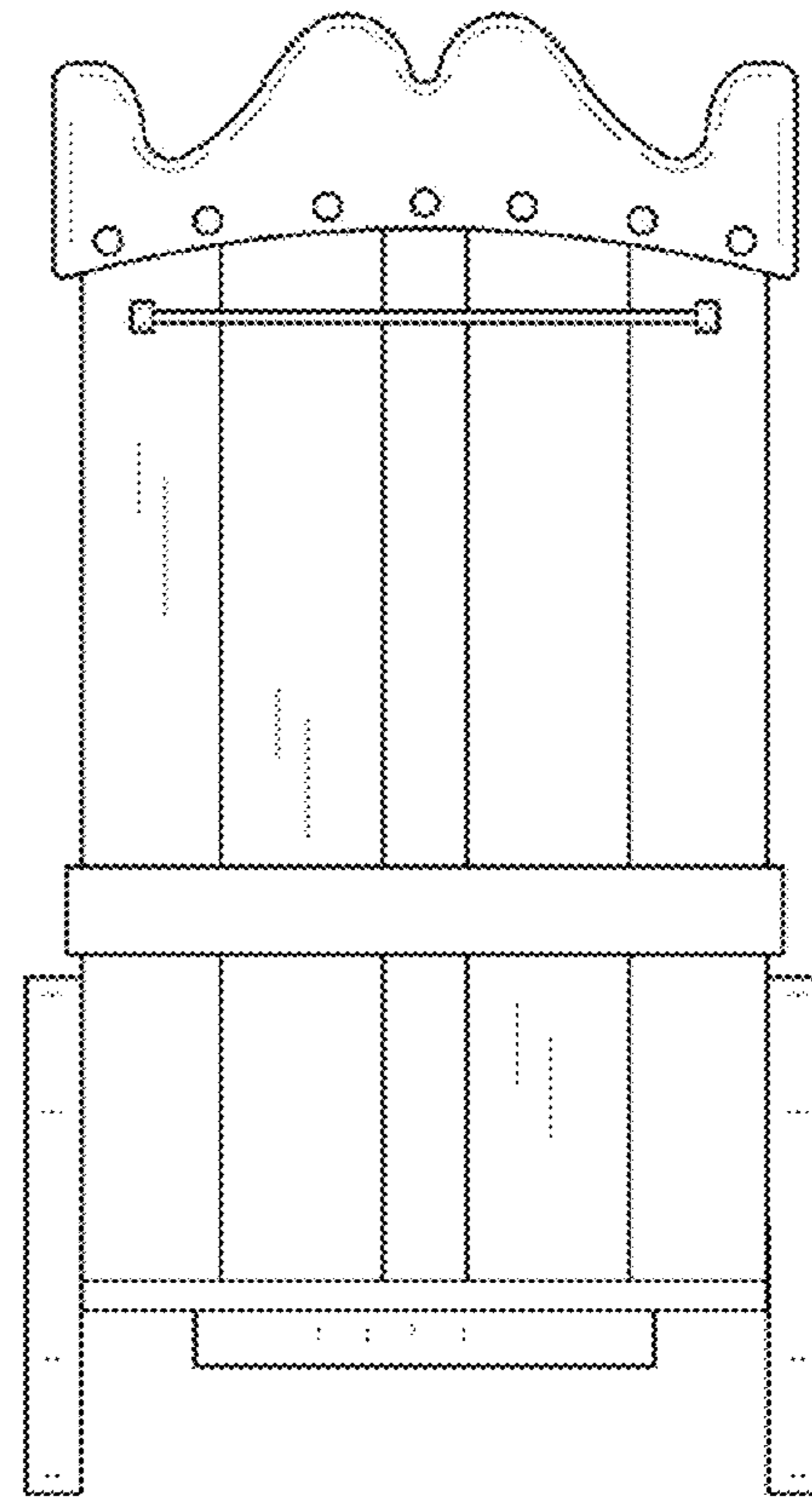


FIG. 3

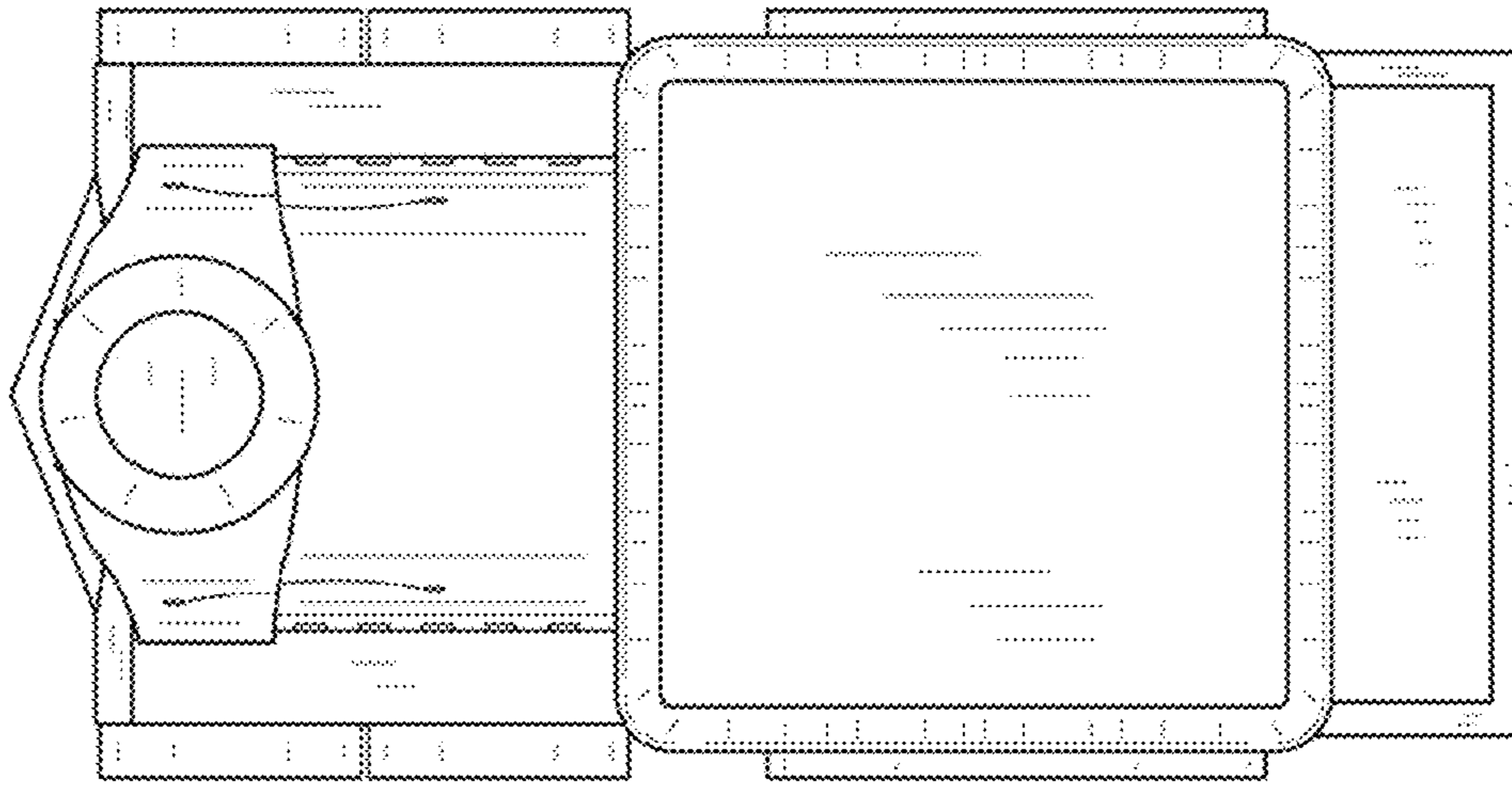


FIG. 4

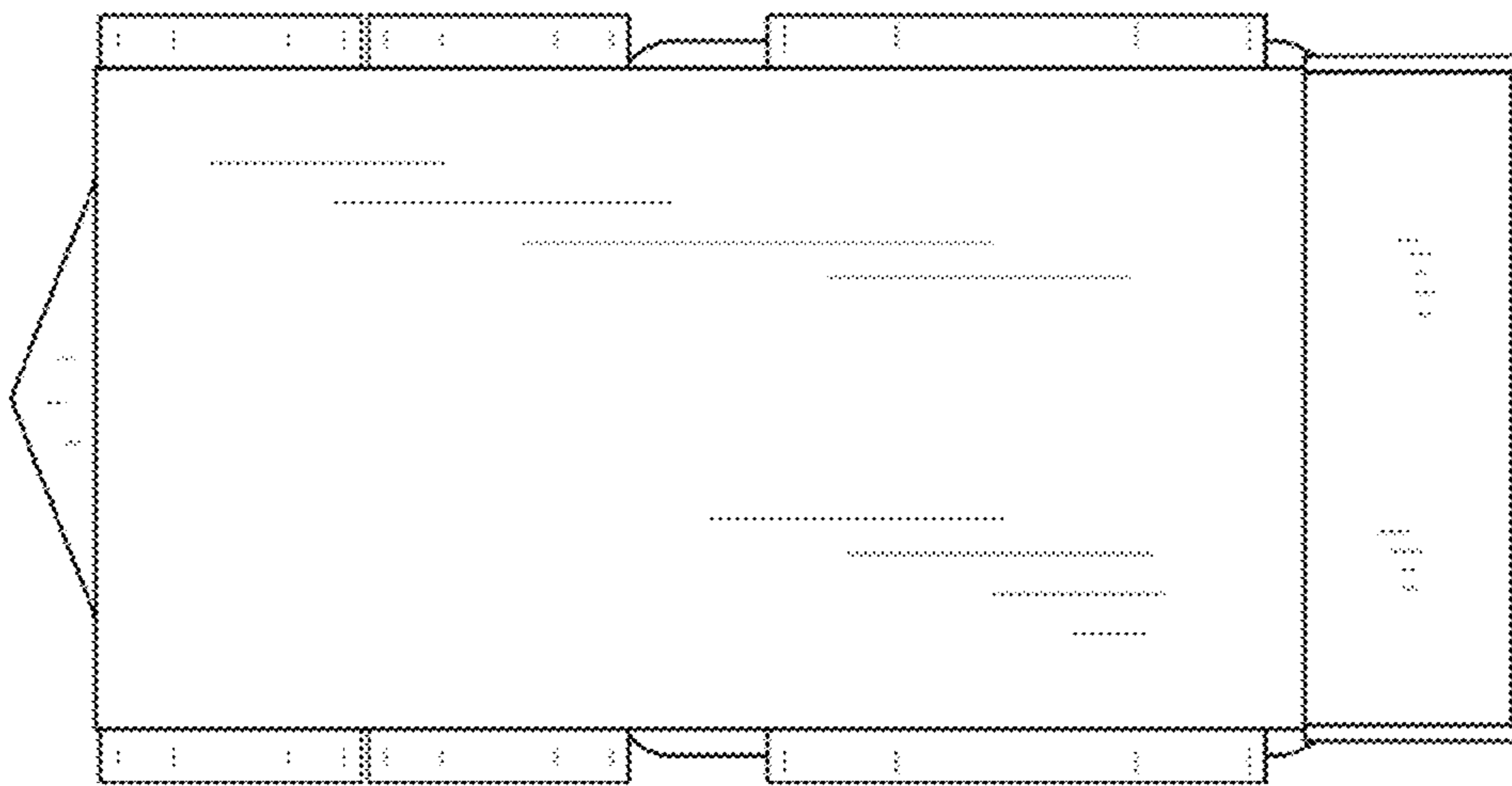


FIG. 5

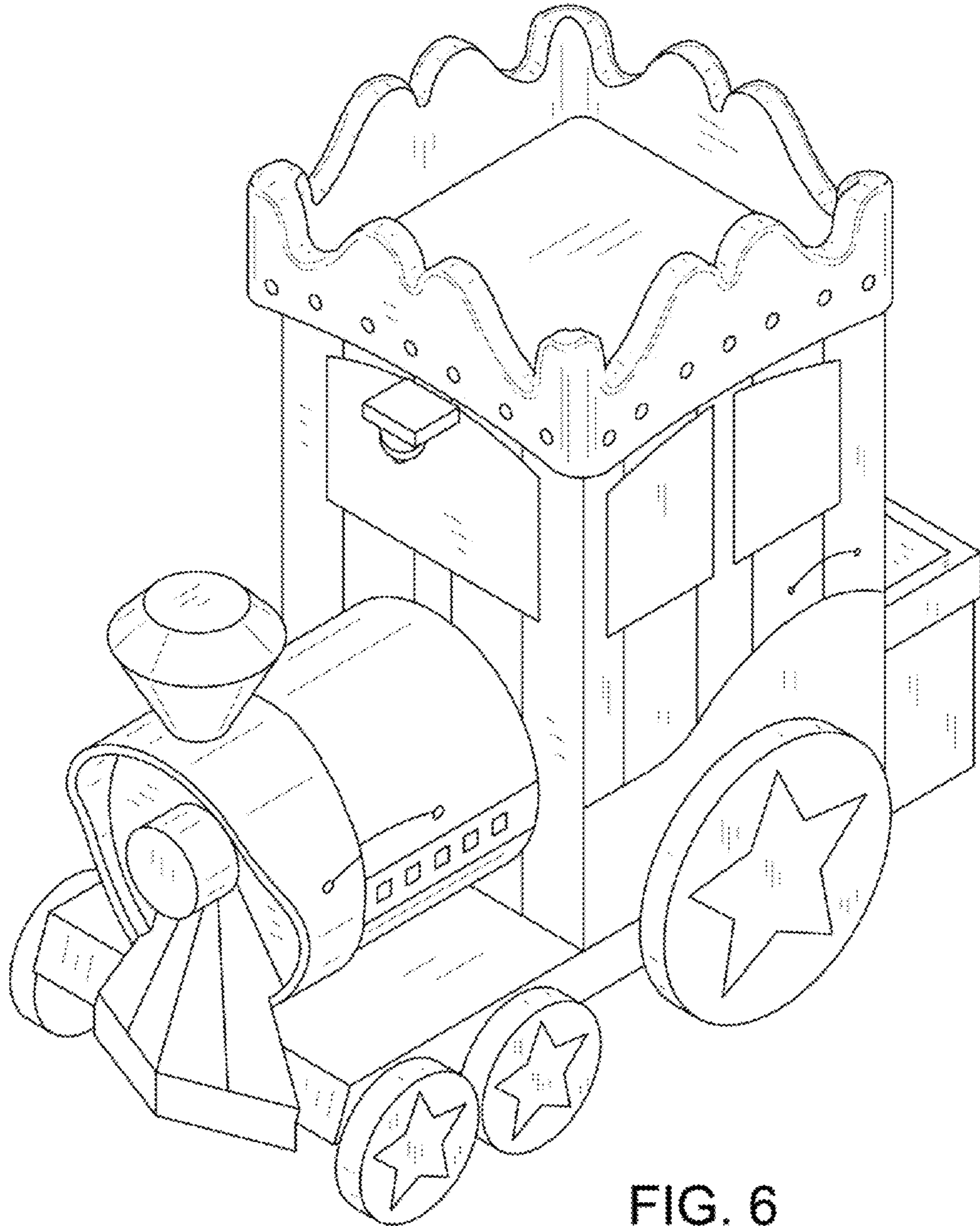


FIG. 6