



US00D687895S

(12) **United States Design Patent**
Gaspar dos Santos

(10) **Patent No.:** **US D687,895 S**

(45) **Date of Patent:** **** *Aug. 13, 2013**

(54) **BILLBOARD**

(75) Inventor: **João Varela Gaspar dos Santos,**
Matosinhos (PT)

(73) Assignee: **Clearspot-Publicidade e Marketing**
Integrado (PT)

(*) Notice: This patent is subject to a terminal disclaimer.

(**) Term: **14 Years**

(21) Appl. No.: **29/396,778**

(22) Filed: **Jul. 7, 2011**

(30) **Foreign Application Priority Data**

Jan. 7, 2011 (EM) 001802547-0002

(51) **LOC (9) Cl.** **20-03**

(52) **U.S. Cl.**
USPC **D20/39**

(58) **Field of Classification Search**
USPC D20/10, 19, 29, 39, 41, 42, 99; 40/438,
40/446, 538, 541, 542, 544, 548, 553, 564,
40/568, 575, 584-586, 588, 589, 617, 618,
40/624, 651, 611.05; 362/812

See application file for complete search history.

(56) **References Cited**

U.S. PATENT DOCUMENTS

1,470,522	A *	10/1923	Coyle	40/624
1,571,771	A *	2/1926	Fischer	40/611.05
1,841,203	A *	1/1932	Overholtz	40/624
2,492,937	A *	12/1949	Olmsted	40/624
2,599,129	A *	6/1952	Michael et al.	40/624
2,603,014	A *	7/1952	Michael	40/624
2,775,834	A *	1/1957	Miller, Jr	40/624
2,806,308	A *	9/1957	Curell	40/624
3,176,418	A *	4/1965	Ramseur, Jr	40/624
D285,456	S *	9/1986	Wiens	D20/39
4,805,331	A *	2/1989	Bogges et al.	40/651
D592,705	S *	5/2009	Giugiaro	D20/41
2008/0155869	A1 *	7/2008	Golle et al.	40/544

* cited by examiner

Primary Examiner — Mary Ann Calabrese
(74) *Attorney, Agent, or Firm* — Baker & Rannells, PA

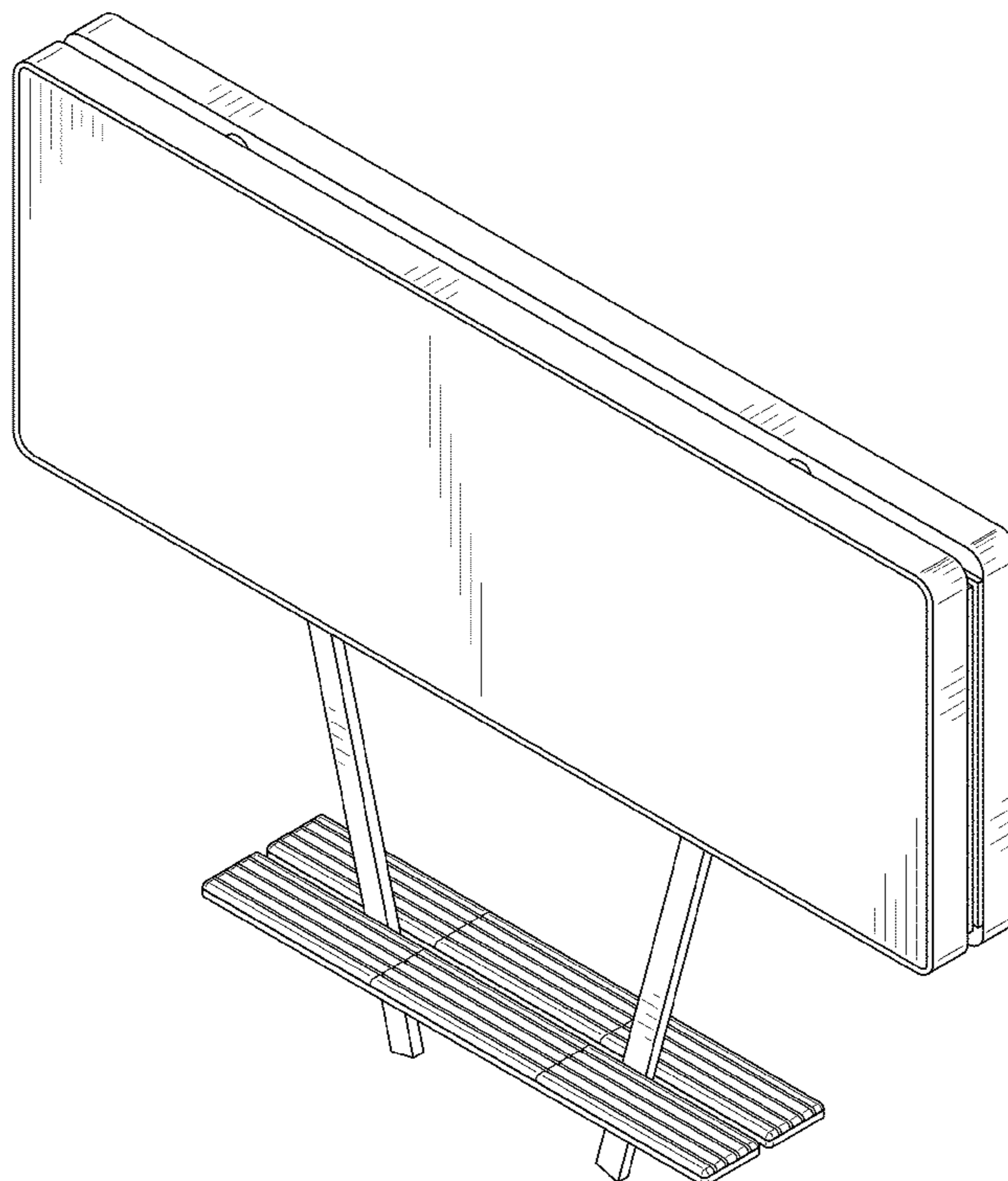
(57) **CLAIM**

I claim the ornamental design for a billboard, as shown and described.

DESCRIPTION

FIG. 1 is a perspective view of my new design of a billboard; FIG. 2 is a front elevational view thereof; FIG. 3 is a rear elevational view thereof; FIG. 4 is a right side elevational view thereof; FIG. 5 is a left side elevational view thereof; FIG. 6 is a top plan view thereof; and, FIG. 7 is a bottom plan view thereof. Broken lines in figures are for illustrative purposes only and form no part of the design.

1 Claim, 5 Drawing Sheets



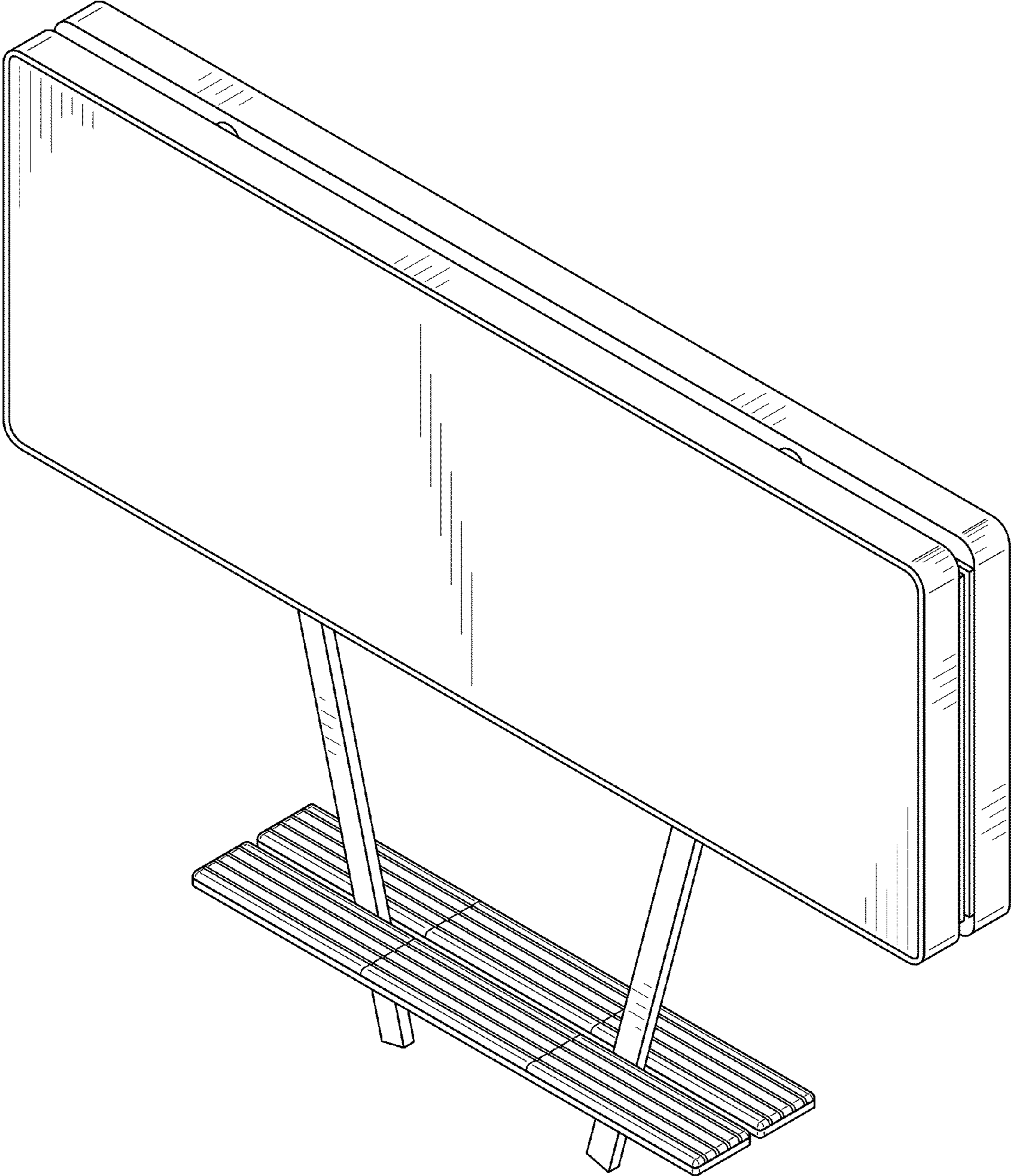


FIG. 1

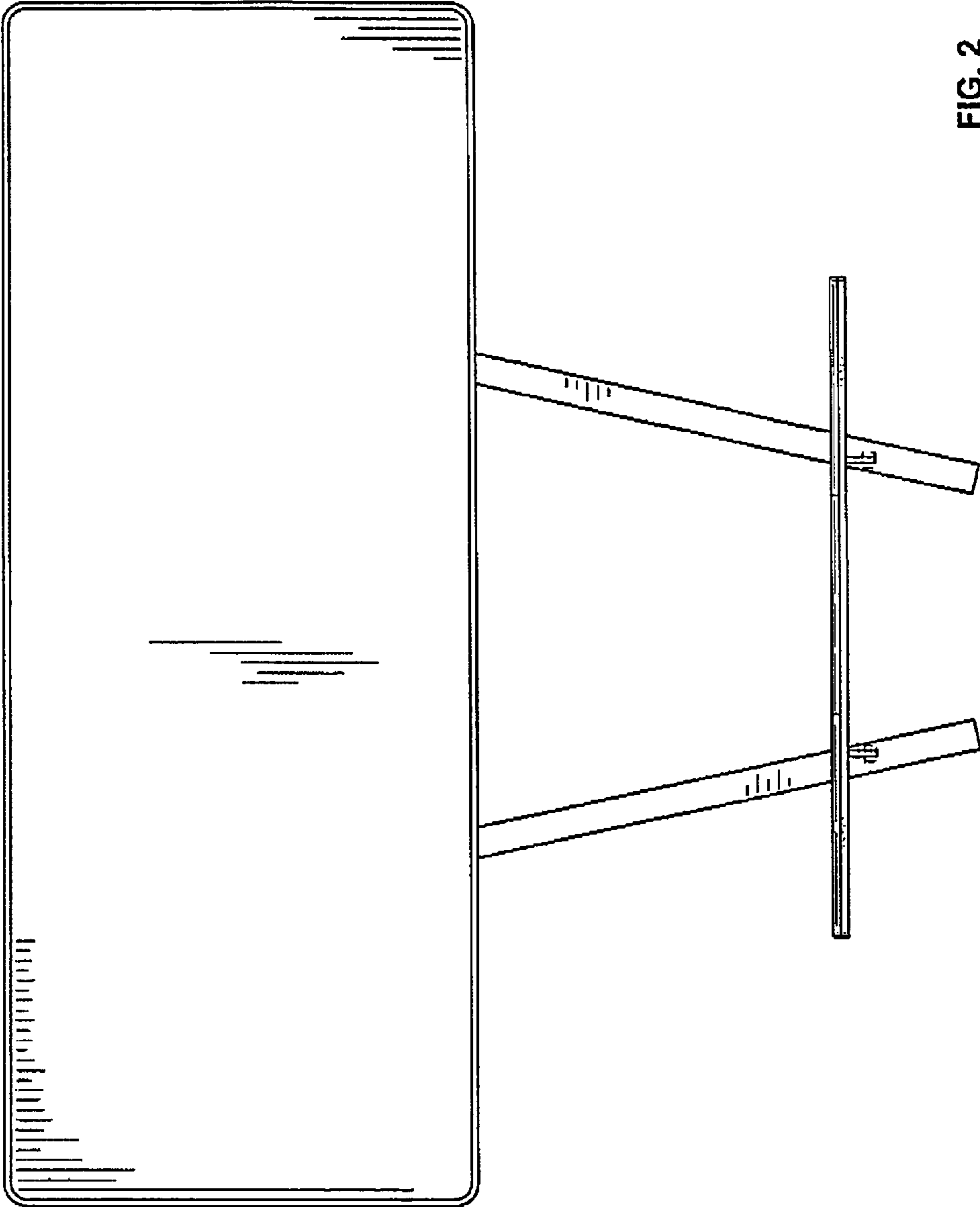


FIG. 2

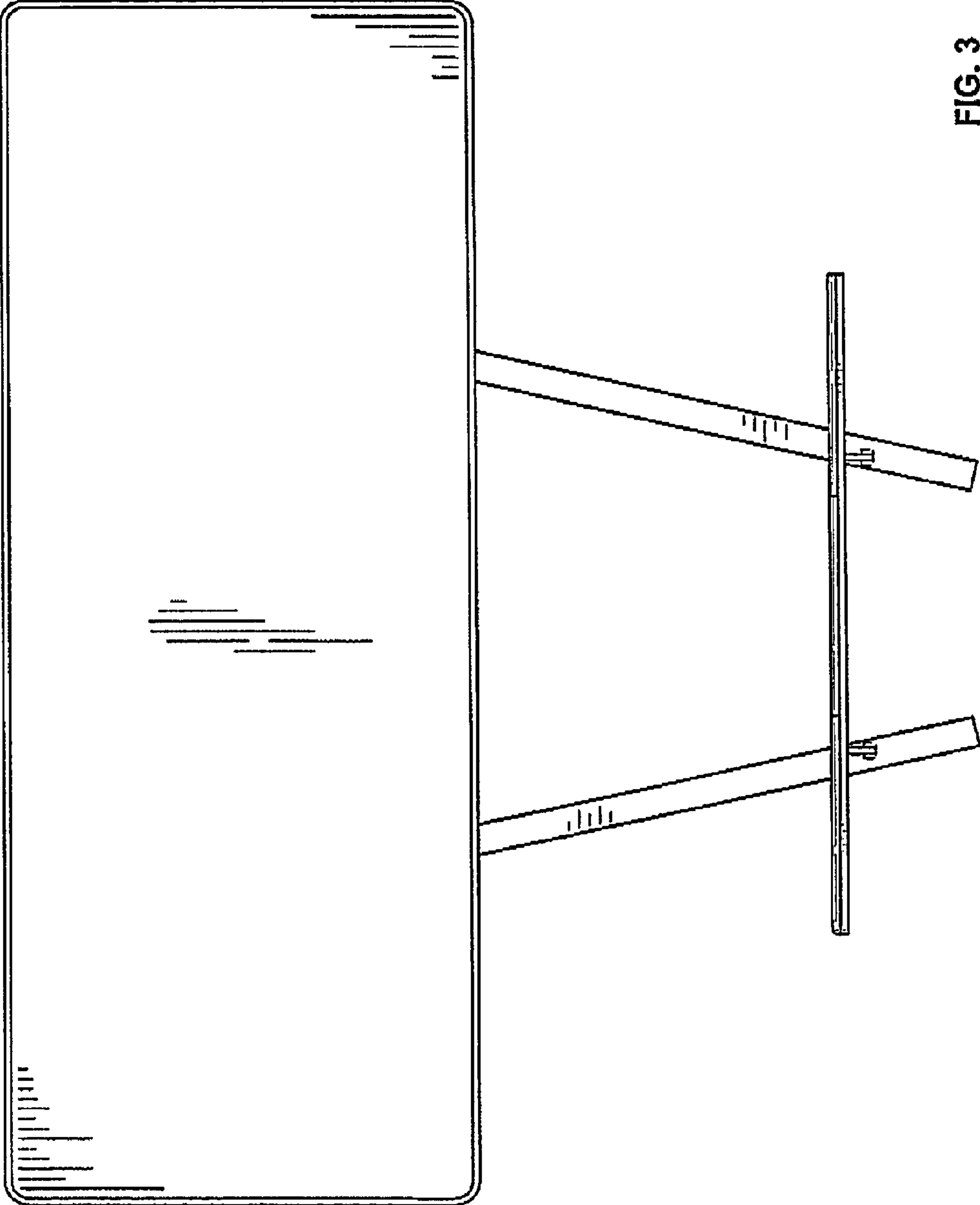


FIG. 3

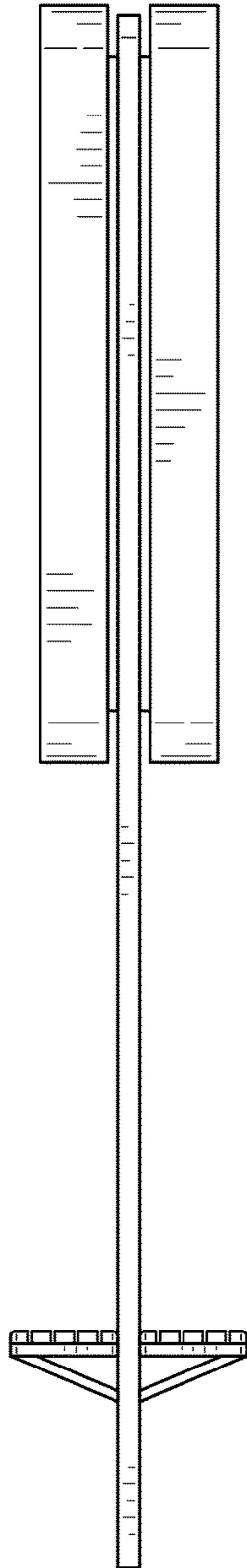


FIG. 4

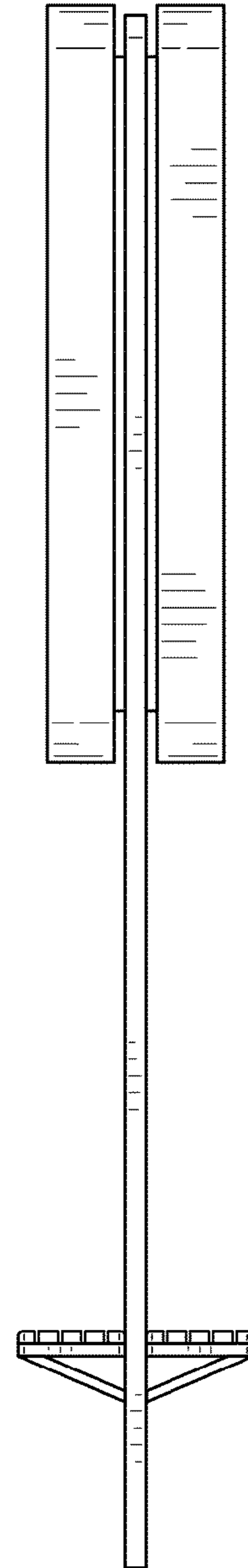


FIG. 5

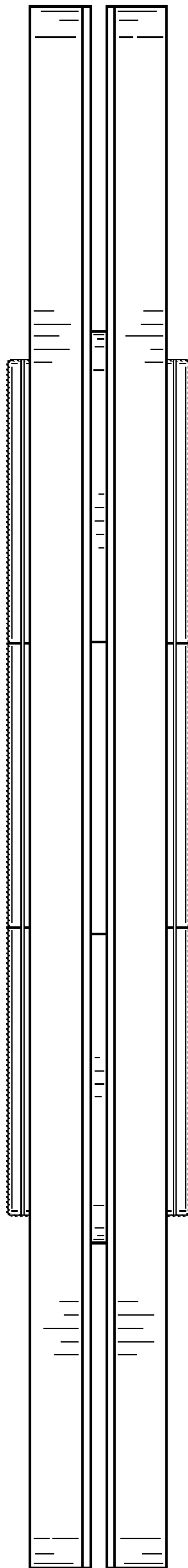


FIG. 6

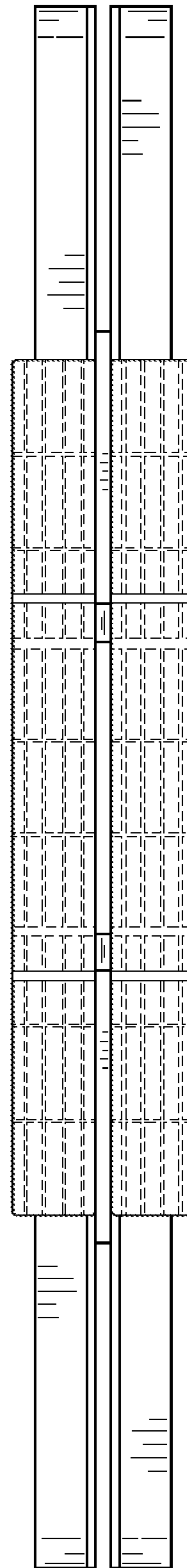


FIG. 7