



US00D687891S

(12) **United States Design Patent**  
**Chuang**

(10) **Patent No.:** **US D687,891 S**

(45) **Date of Patent:** **\*\* Aug. 13, 2013**

(54) **PAPER PUNCH**

(75) Inventor: **Chih-Wei Chuang**, Edison, NJ (US)

(73) Assignee: **Officemate International Corp.**,  
Edison, NJ (US)

(\*\*) Term: **14 Years**

(21) Appl. No.: **29/421,416**

(22) Filed: **Jul. 23, 2012**

(51) **LOC (9) Cl.** ..... **19-02**

(52) **U.S. Cl.**  
USPC ..... **D19/72**

(58) **Field of Classification Search**  
USPC ..... D8/98; D19/72; 30/358, 363; 83/613,  
83/618, 620, 633, 684-691  
See application file for complete search history.

(56) **References Cited**

**U.S. PATENT DOCUMENTS**

2,244,660	A *	6/1941	Carpenter	83/167
2,474,344	A *	6/1949	Carpenter	83/167
2,481,883	A *	9/1949	Semler	83/560
D202,007	S *	8/1965	Murray	D19/72
4,036,088	A *	7/1977	Ruskin	83/167
4,898,055	A *	2/1990	Neilsen	83/571
5,632,188	A *	5/1997	Karlis	83/167
D445,832	S *	7/2001	Chan	D19/72
D468,360	S *	1/2003	Chen	D19/72
D477,846	S *	7/2003	Racamier	D19/72
6,786,395	B1 *	9/2004	Lin	234/98
7,194,942	B2 *	3/2007	Lee	83/618
D541,867	S *	5/2007	Kent et al	D19/72

D542,848	S *	5/2007	Kent et al.	D19/72
D568,401	S *	5/2008	Chen et al.	D19/72
D633,145	S *	2/2011	Lee et al.	D19/72
D655,754	S *	3/2012	Lee et al.	D19/72
2002/0157517	A1 *	10/2002	Huang	83/618
2004/0164138	A1 *	8/2004	Lin	234/98
2005/0145085	A1 *	7/2005	Lee	83/618
2006/0144206	A1 *	7/2006	Lee	83/684
2010/0107847	A1 *	5/2010	Cedar et al.	83/687

\* cited by examiner

*Primary Examiner* — Elizabeth Albert

(74) *Attorney, Agent, or Firm* — Daniel Kirshner

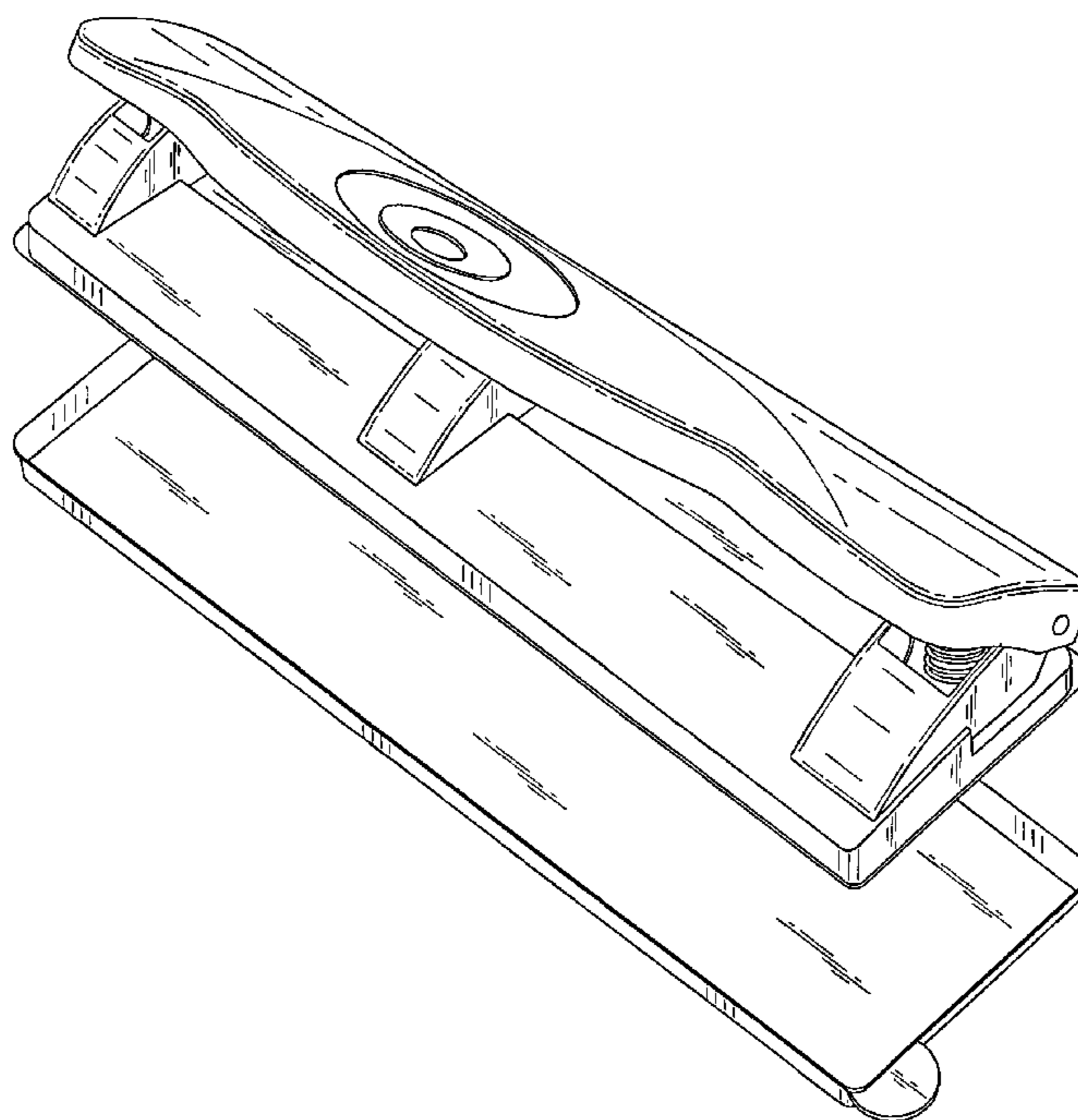
(57) **CLAIM**

The ornamental design for a paper punch, as shown and described.

**DESCRIPTION**

FIG. 1 is a front perspective view of an paper punch showing the new design;  
FIG. 2 is a rear view thereof;  
FIG. 3 is a front view thereof;  
FIG. 4 is a right view thereof;  
FIG. 5 is a left side thereof;  
FIG. 6 is a top thereof;  
FIG. 7 is a bottom view thereof; and,  
FIG. 8 is a front perspective view thereof, showing the bottom storage area cover removed.  
The features inside the paper punch in broken lines are included to show portions that form no part of the claimed design.

**1 Claim, 8 Drawing Sheets**



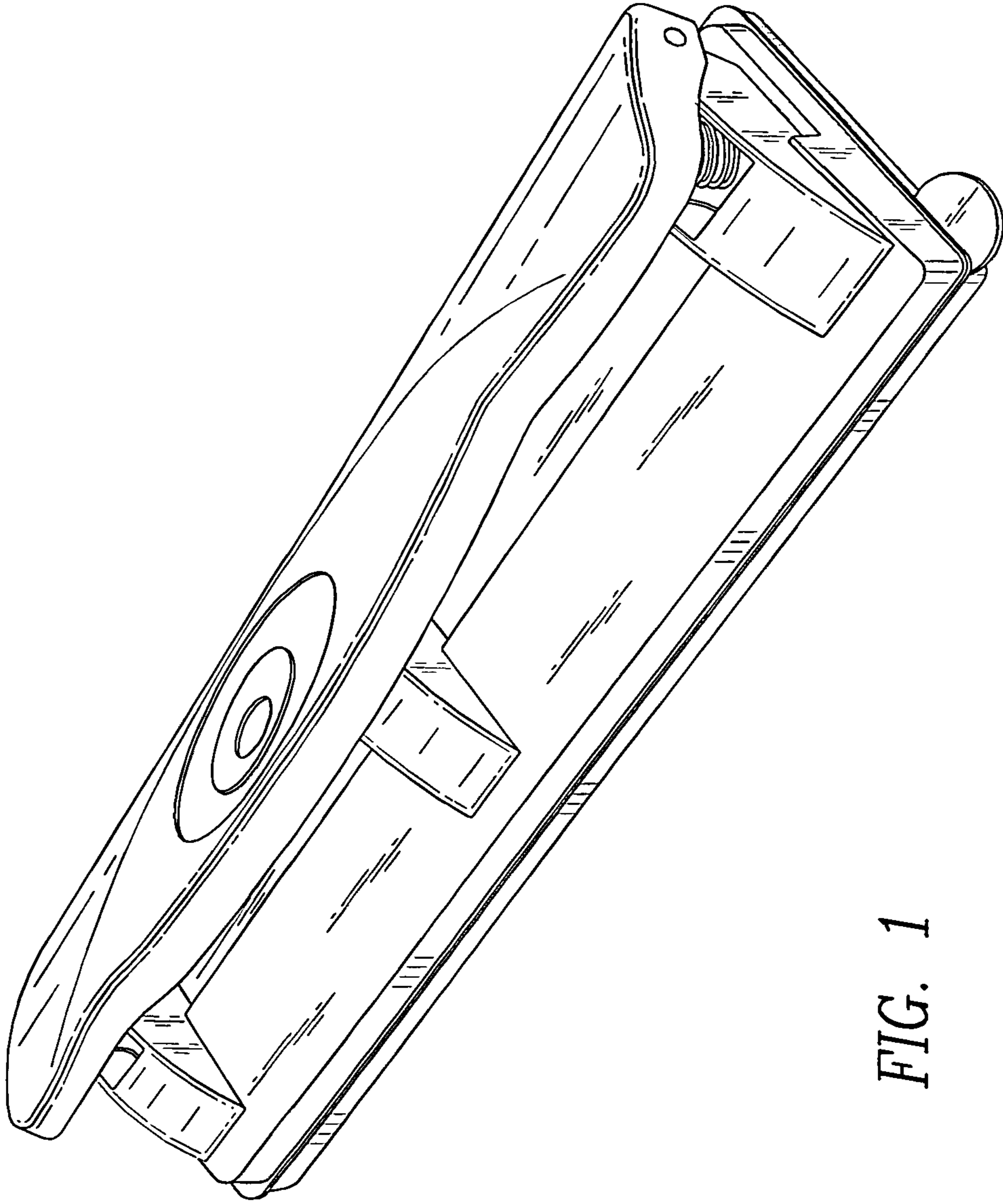


FIG. 1

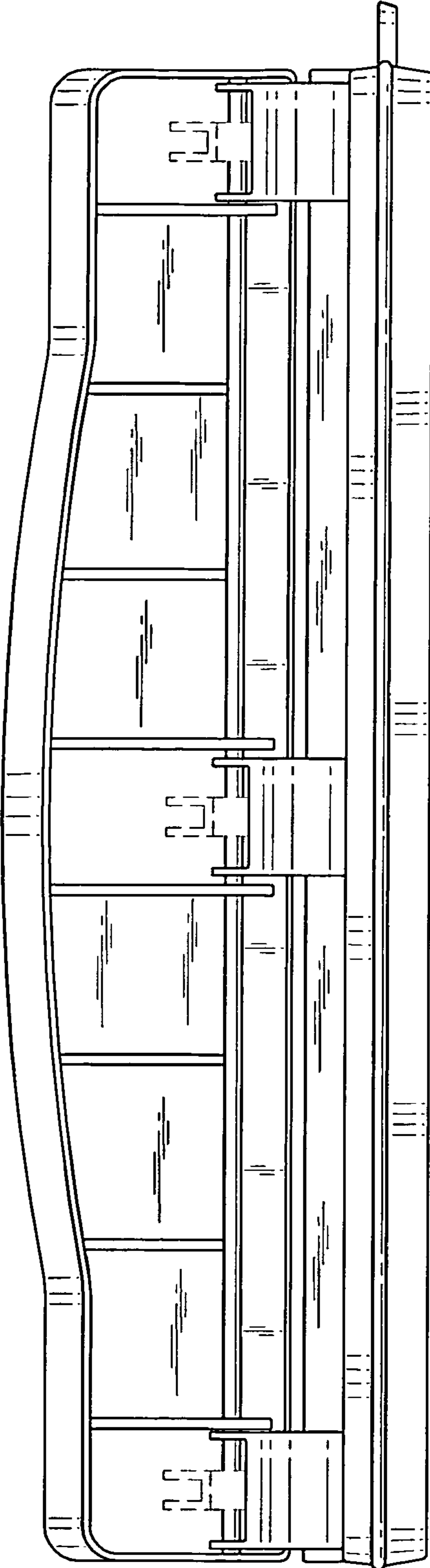


FIG. 2

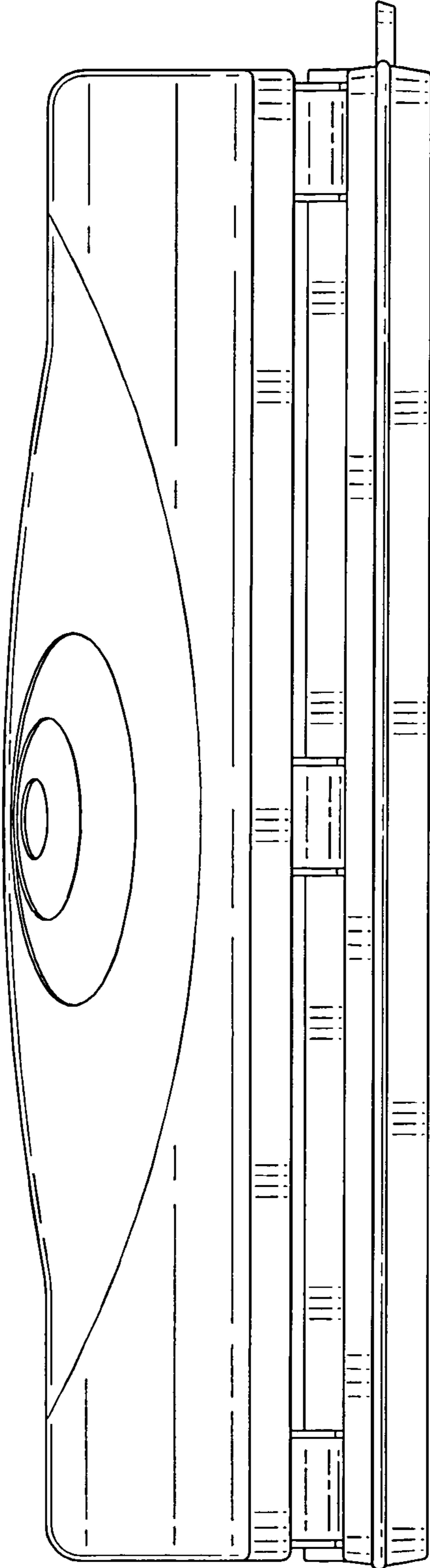
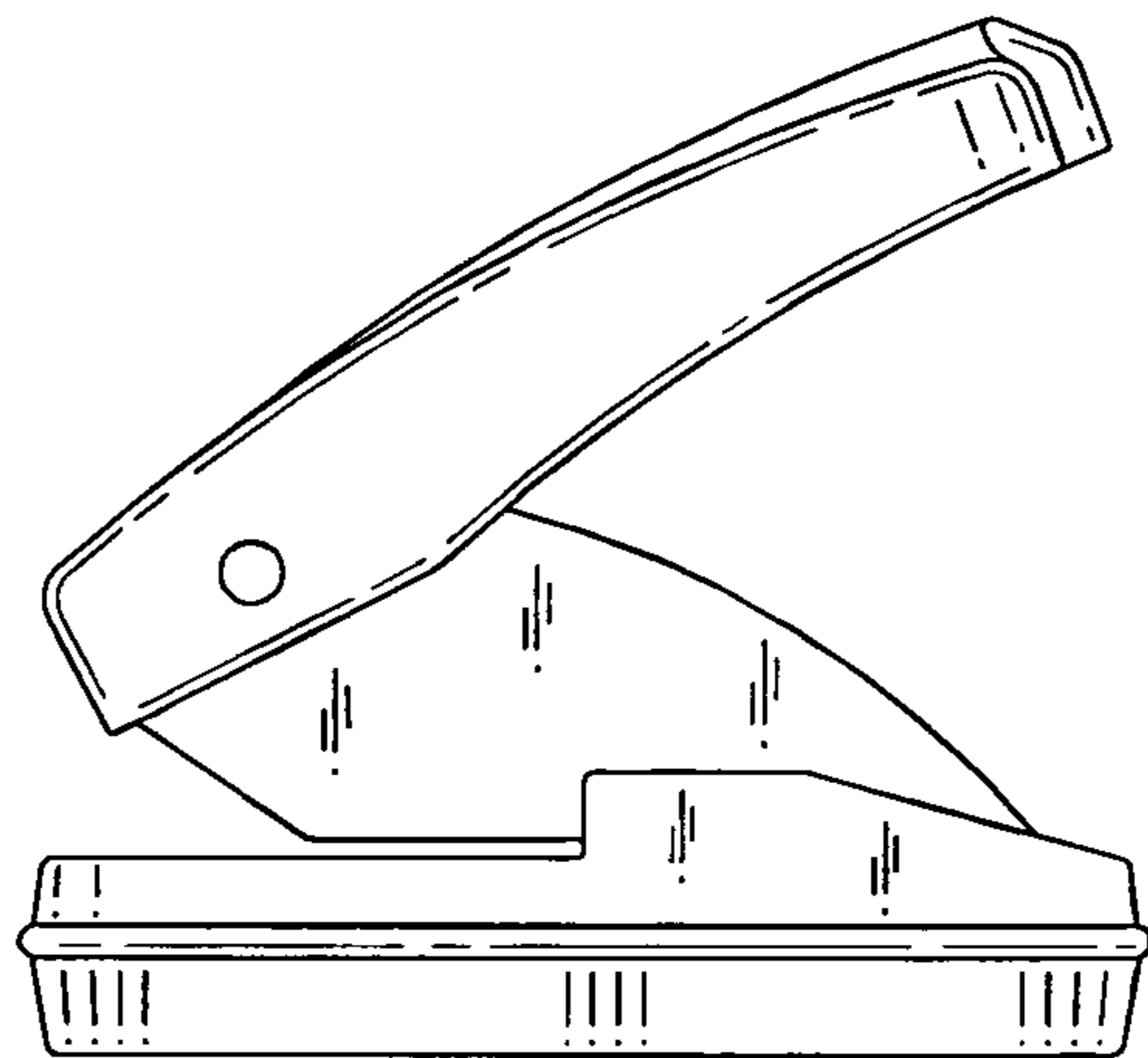
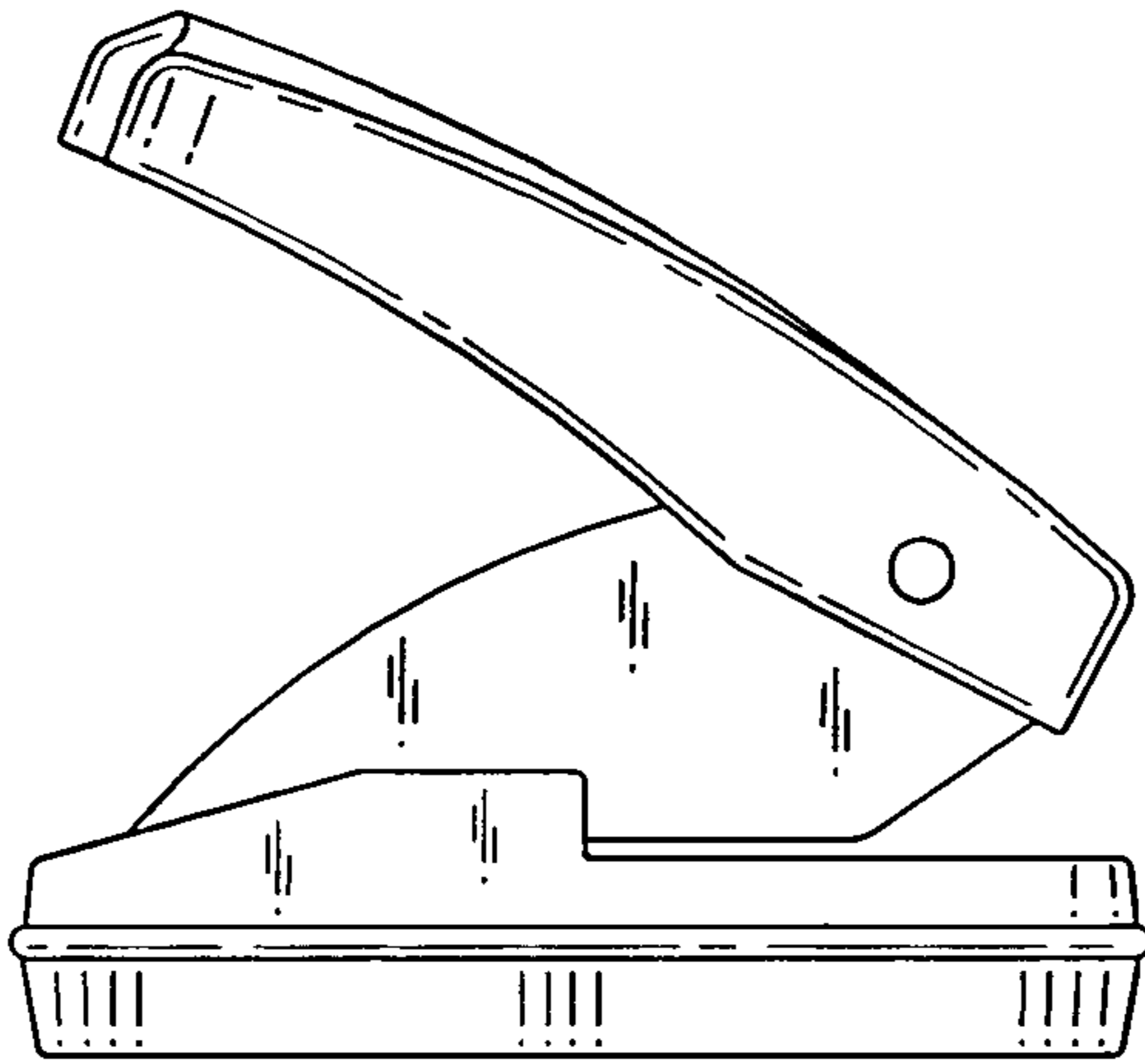


FIG. 3



*FIG. 4*



*FIG. 5*

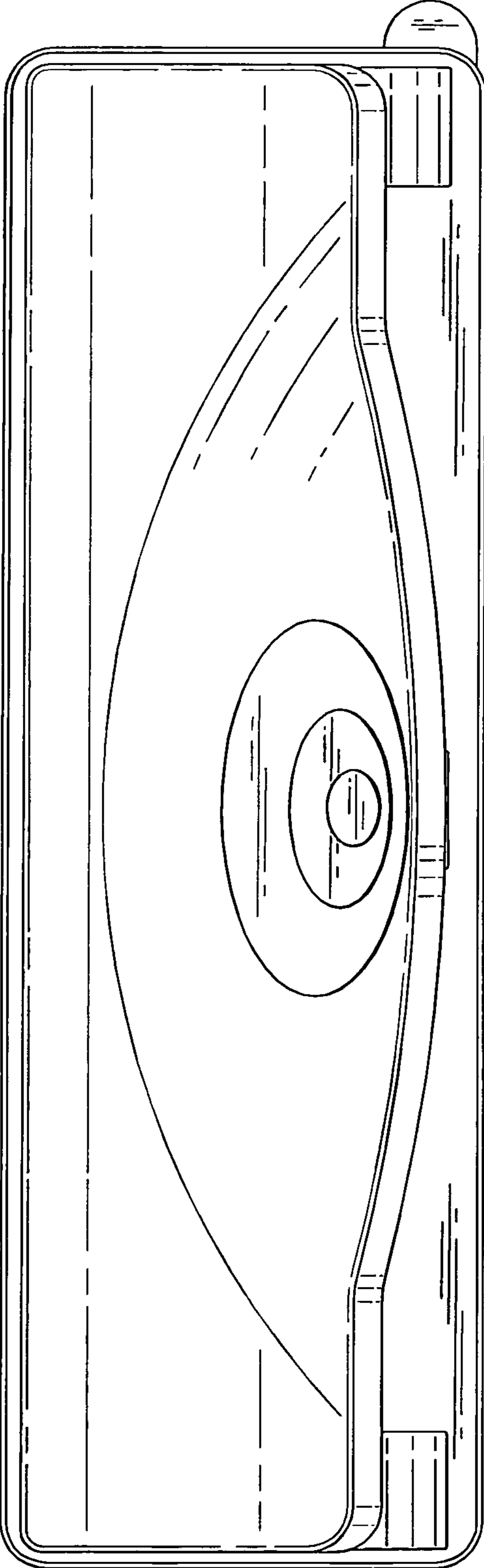


FIG. 6

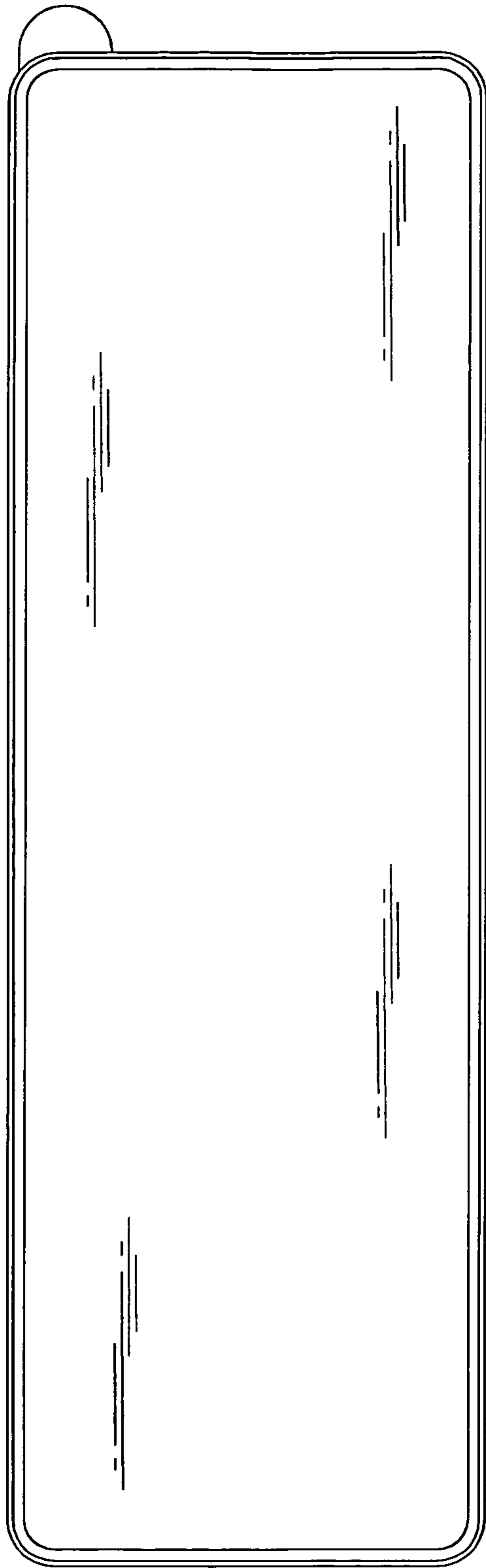


FIG. 7



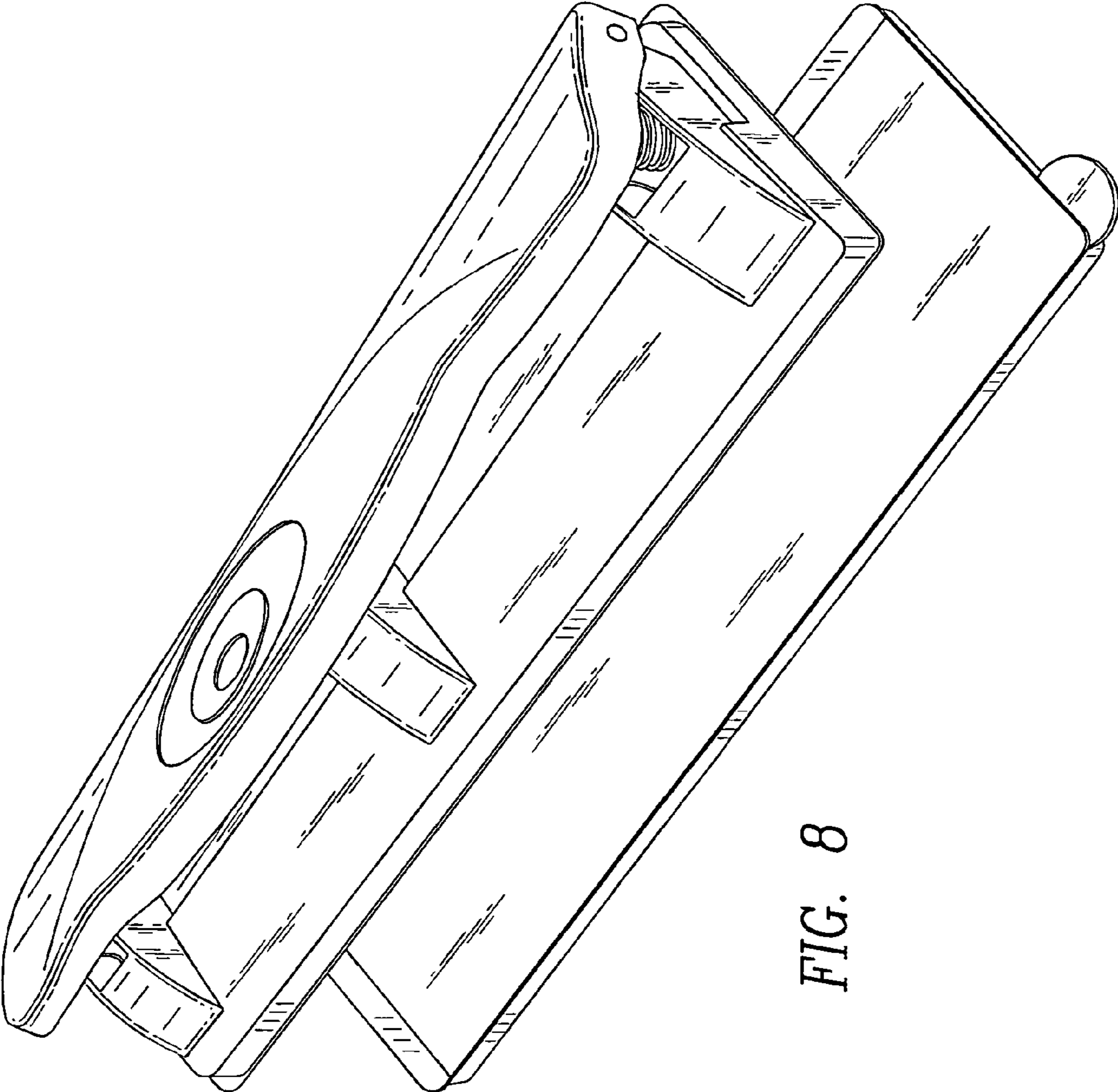


FIG. 8