



US00D687890S

(12) **United States Design Patent**
Packard et al.

(10) **Patent No.:** **US D687,890 S**

(45) **Date of Patent:** **** Aug. 13, 2013**

(54) **TAPE DISPENSER**

(71) Applicant: **3M Innovative Properties Company**,
St. Paul, MN (US)

(72) Inventors: **Joy A. Packard**, Somerset, WI (US);
Shaelyn D. Crutchley, St. Paul, MN
(US); **Martin E. Broen**, New York, NY
(US); **Johannes Bayer**, Balgach (CH)

(73) Assignee: **3M Innovative Properties Company**,
St. Paul, MN (US)

(**) Term: **14 Years**

(21) Appl. No.: **29/447,207**

(22) Filed: **Mar. 1, 2013**

(51) **LOC (9) Cl.** **08-02**

(52) **U.S. Cl.**
USPC **D19/69**

(58) **Field of Classification Search**
USPC D19/36, 70, 69, 68; D7/522, 527; 225/77,
225/6, 56, 69, 26, 25, 19, 11; 206/411; 156/577,
156/527, 523; D30/125
See application file for complete search history.

(56) **References Cited**

U.S. PATENT DOCUMENTS

2,810,176 A * 10/1957 Gaafar 24/551
D223,313 S * 4/1972 White D3/271.8

D312,673 S * 12/1990 Kataoka D21/586
D312,848 S * 12/1990 Kataoka D21/586
D312,851 S * 12/1990 Kataoka D21/586
D314,999 S * 2/1991 Kataoka D21/628
D348,225 S * 6/1994 Stott D10/52
D358,446 S * 5/1995 Cooper D22/124
D639,100 S * 6/2011 Heroux D6/601
D645,692 S * 9/2011 Heroux D6/601

* cited by examiner

Primary Examiner — Austin Murphy

(74) *Attorney, Agent, or Firm* — Irina Hass

(57) **CLAIM**

The ornamental design for a tape dispenser, as shown and described.

DESCRIPTION

FIG. 1 is a perspective view showing the new design for a tape dispenser;

FIG. 2 is a front view thereof;

FIG. 3 is a right side view thereof;

FIG. 4 is a left side view thereof;

FIG. 5 is a top view thereof;

FIG. 6 is a bottom view thereof;

FIG. 7 is a rear view thereof; and,

FIG. 8 is a rear view thereof showing the tape dispenser with a tape.

The broken lines in the drawings are shown for illustrative purposes only and form no part of the claimed design. In addition, the surface shading illustrated in the drawings is provided merely to highlight the contour of design; it is not intended to be illustrative of texture or gloss.

1 Claim, 3 Drawing Sheets

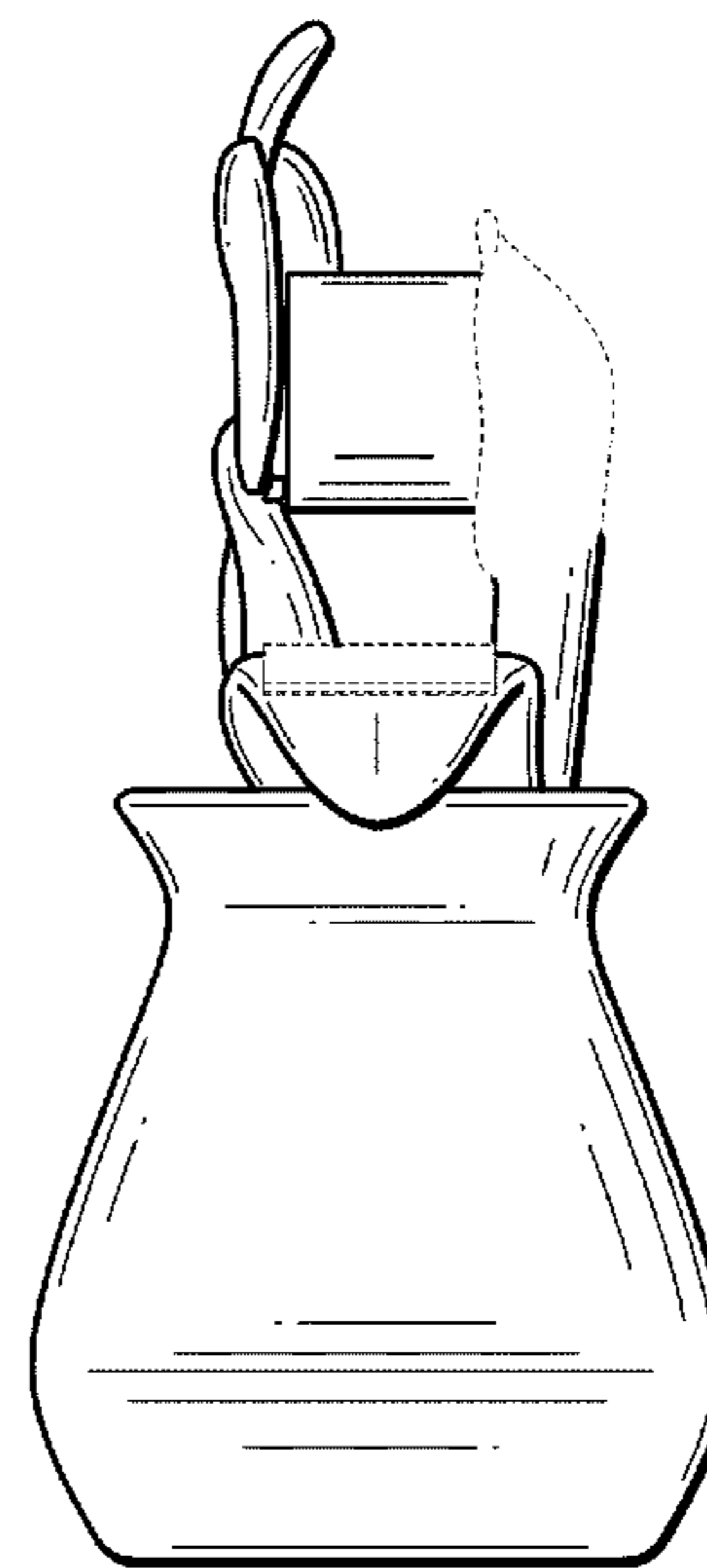
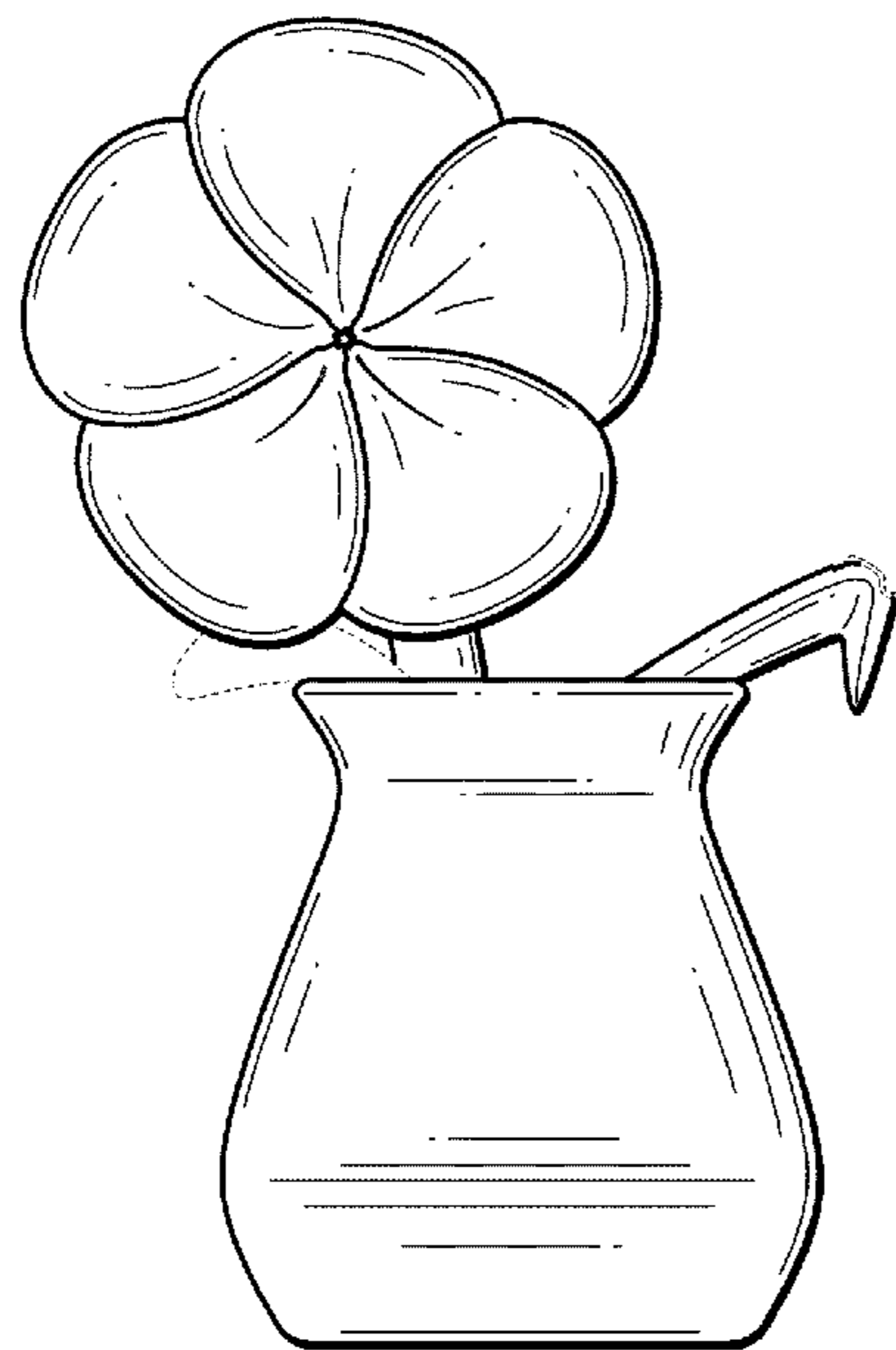




FIG. 1

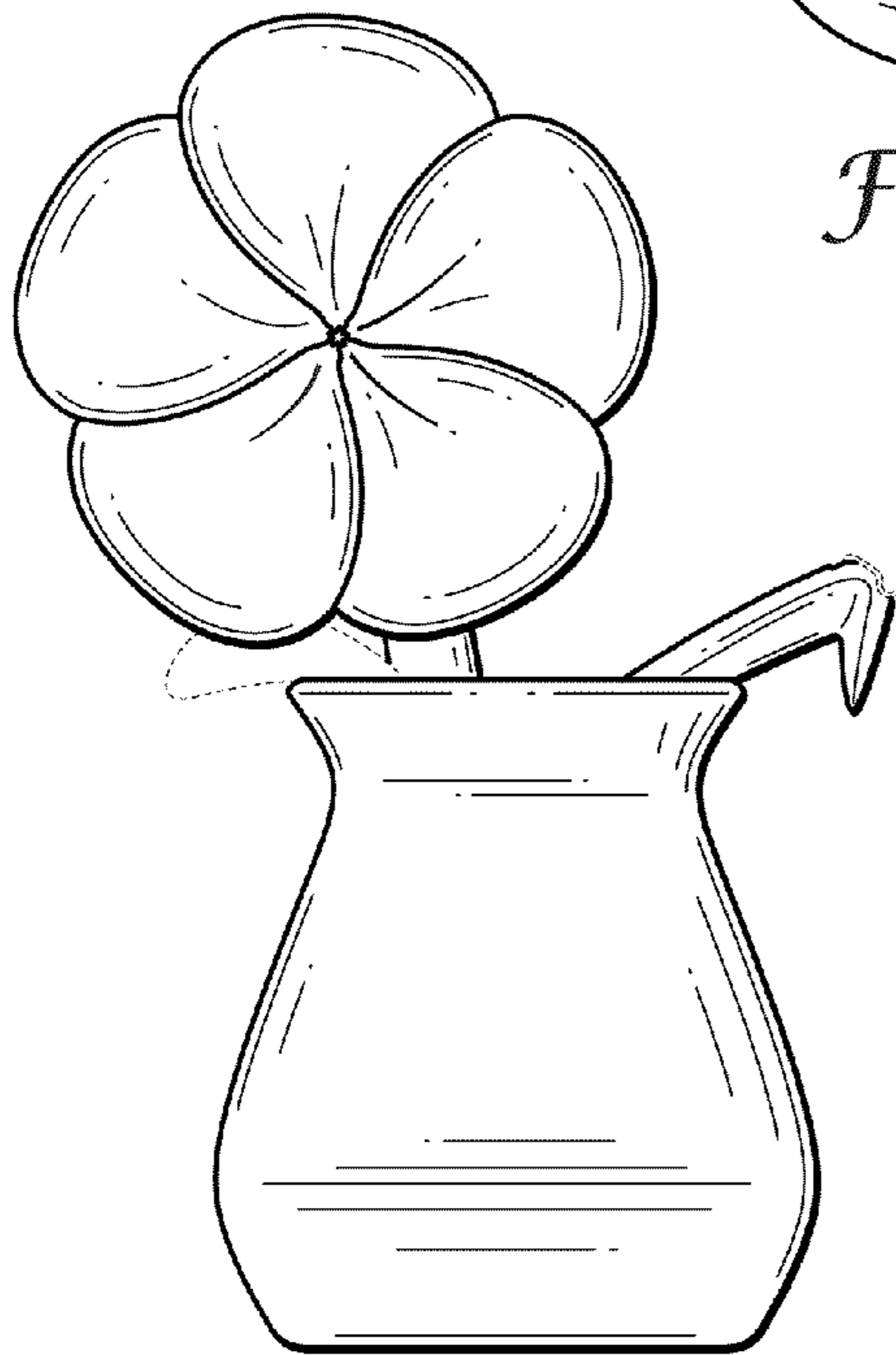


FIG. 2

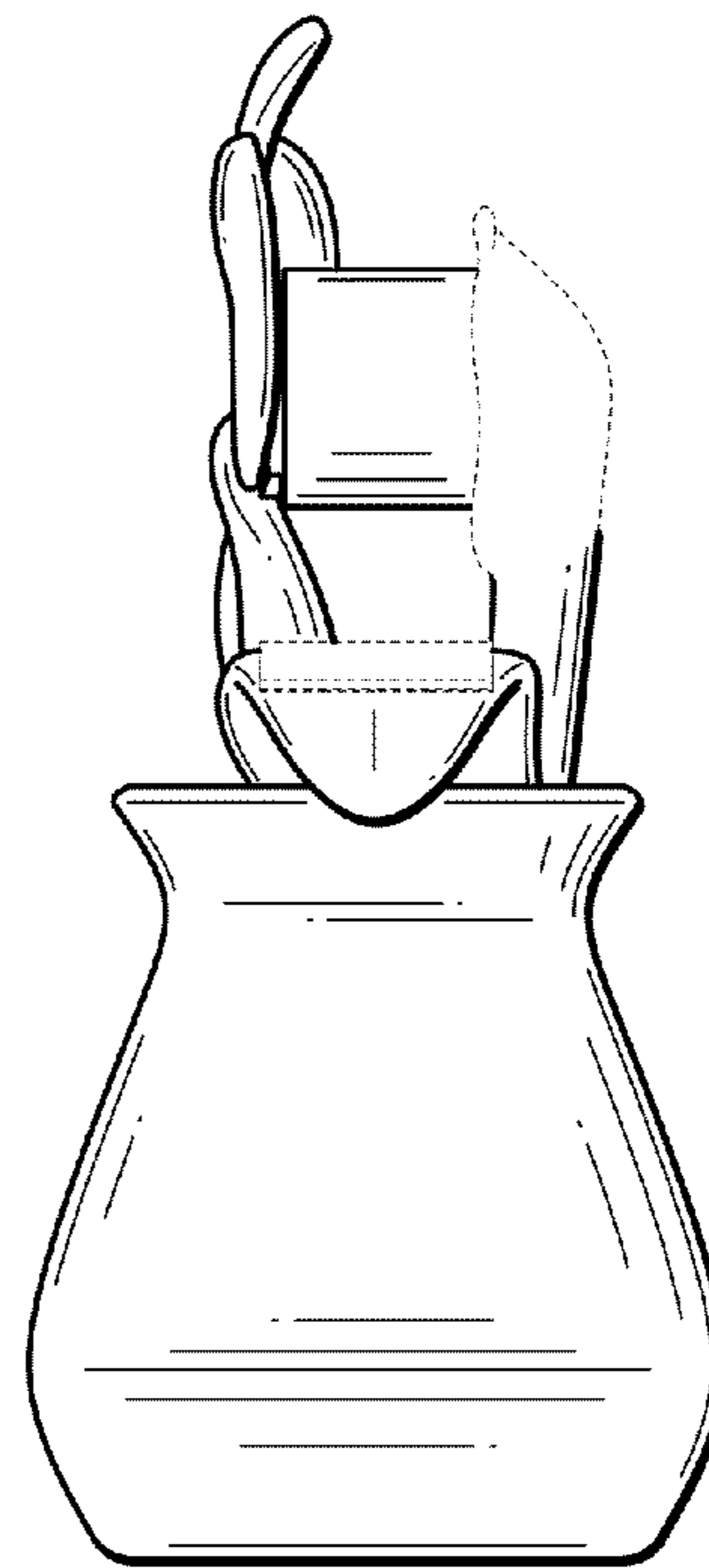


FIG. 3

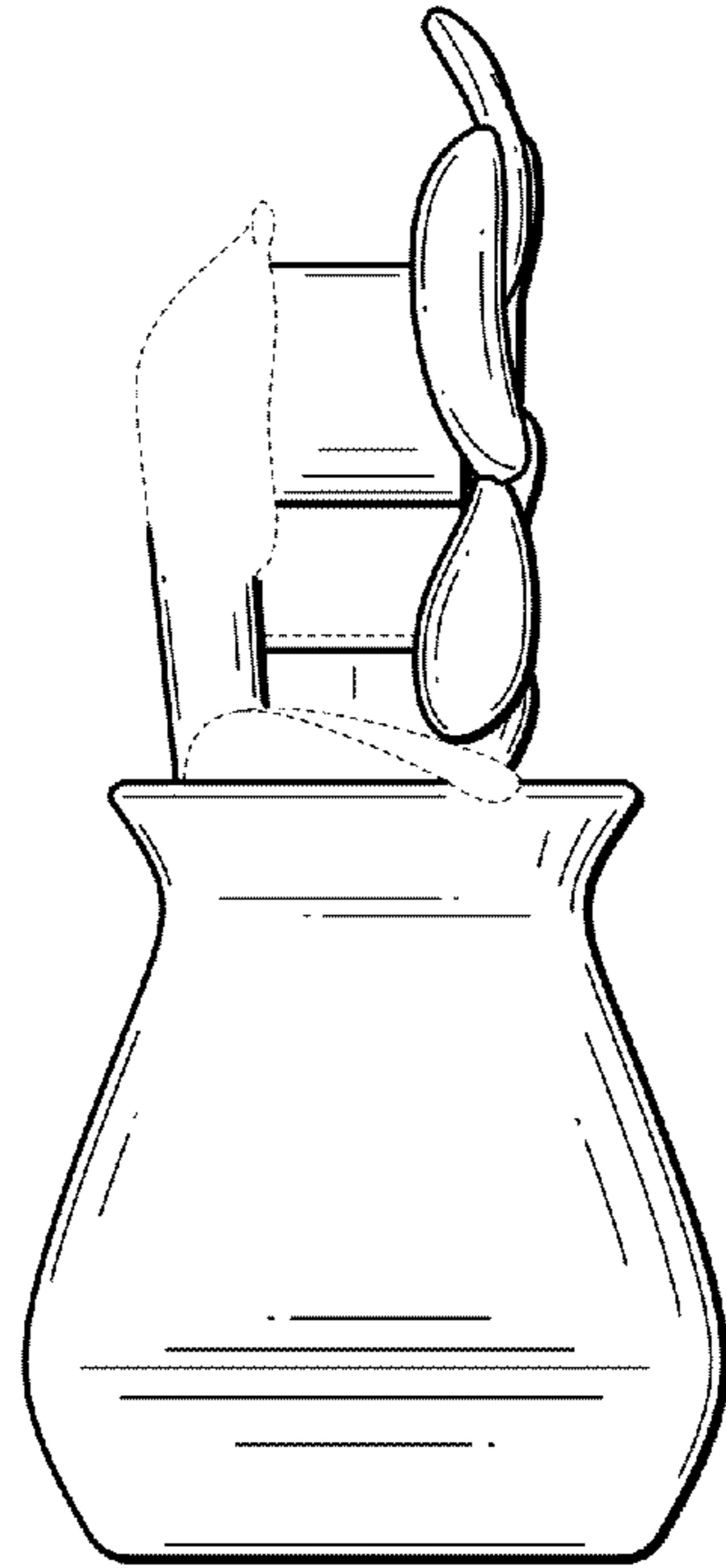


FIG. 4

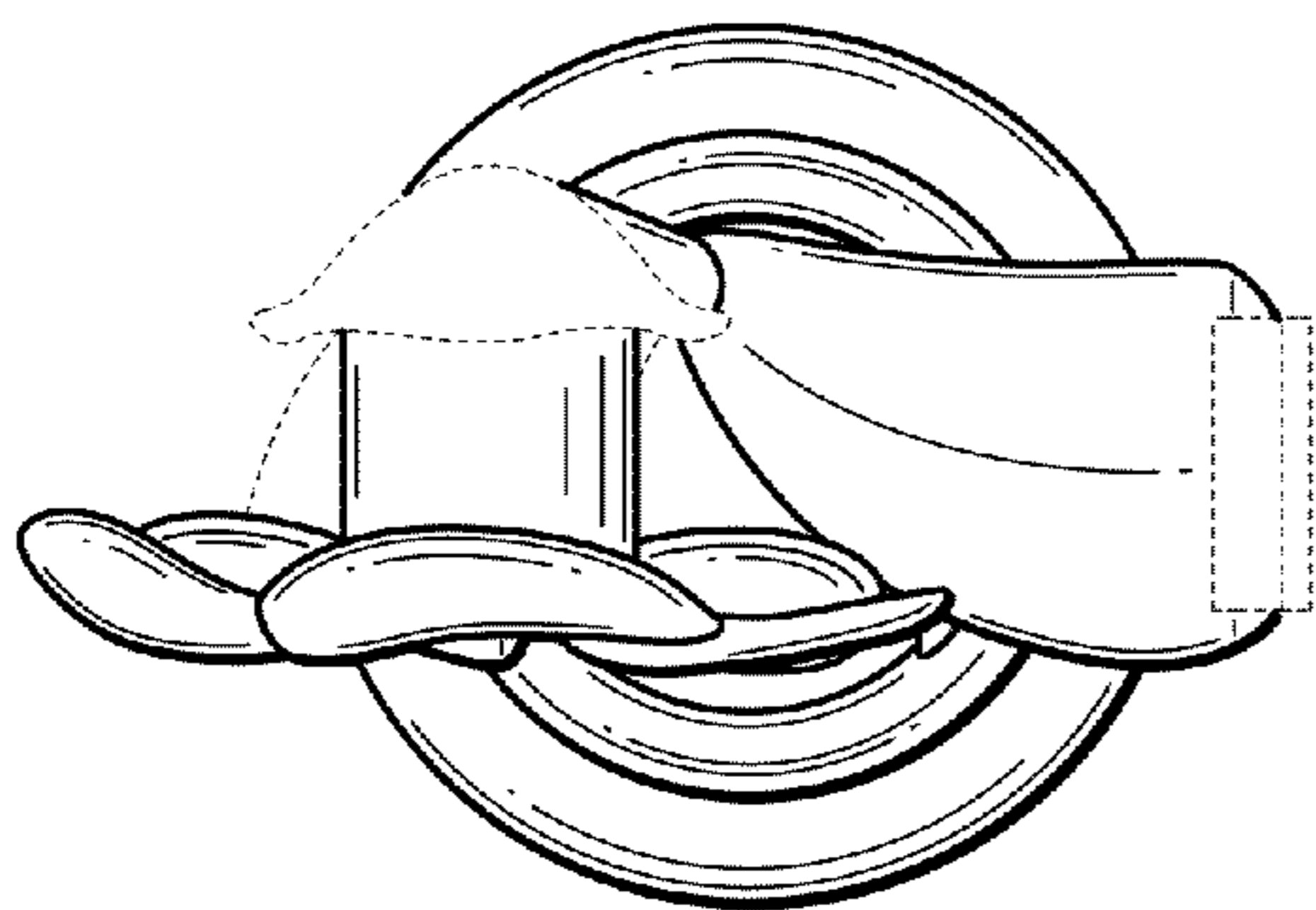


FIG. 5

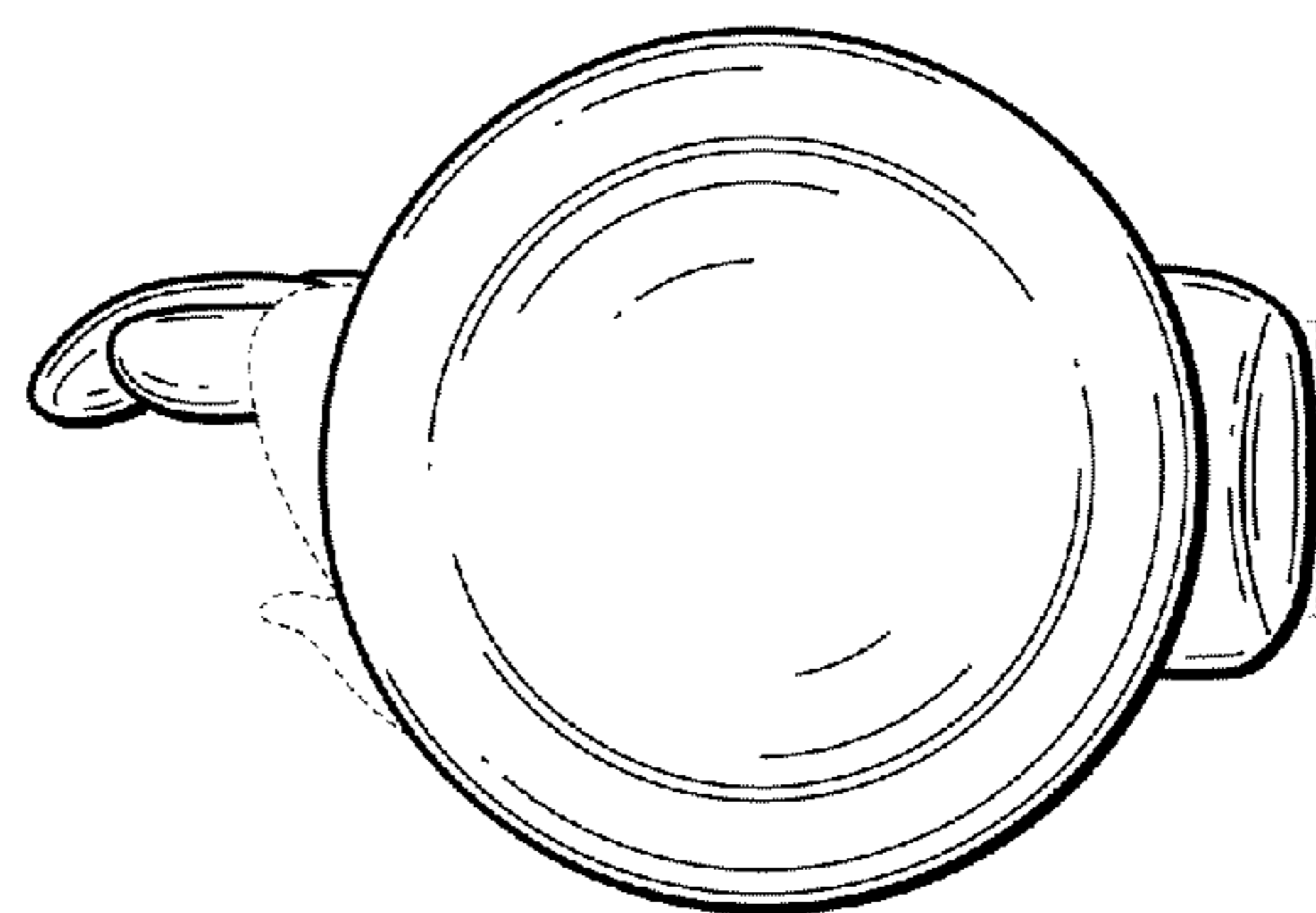


FIG. 6

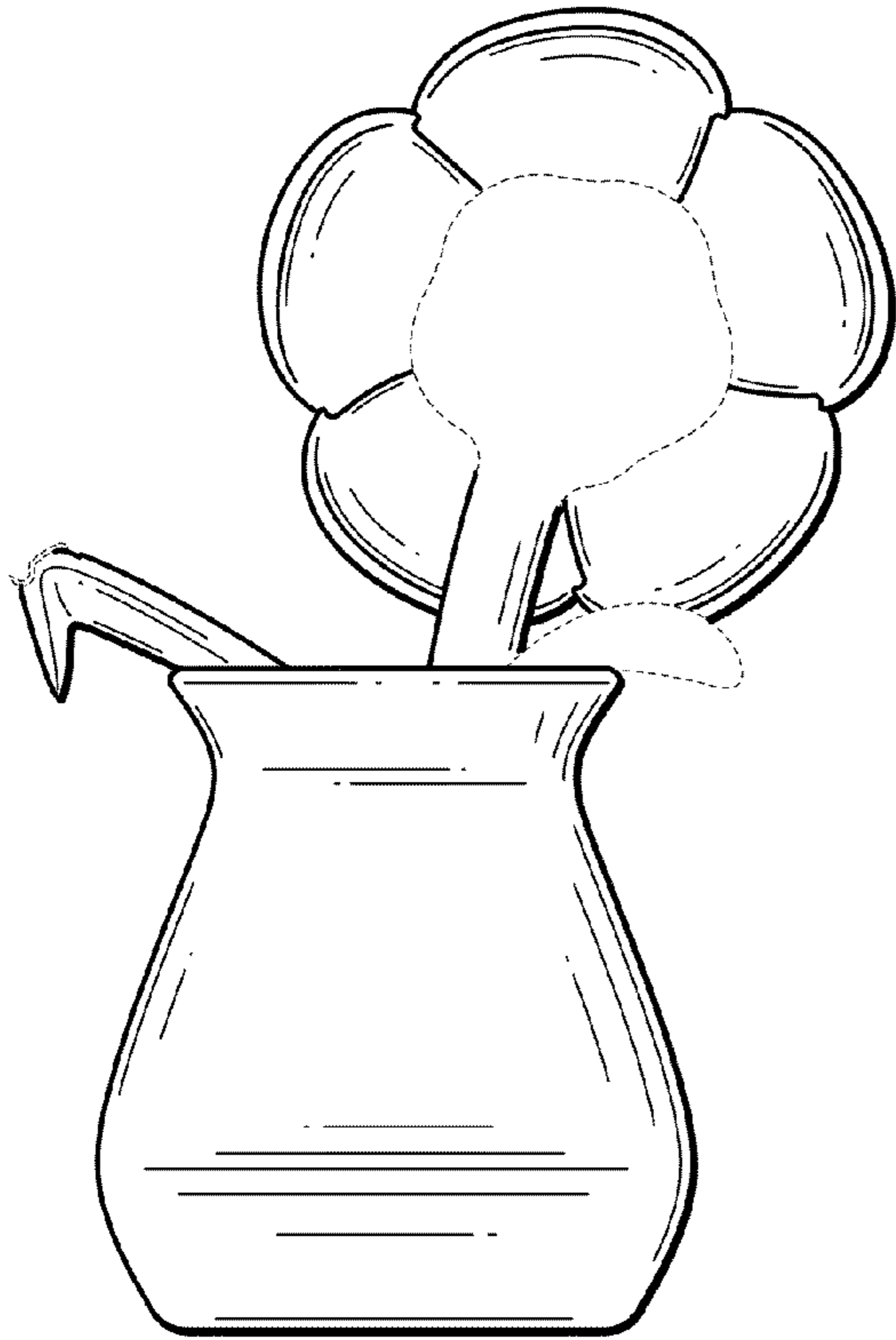


FIG. 7

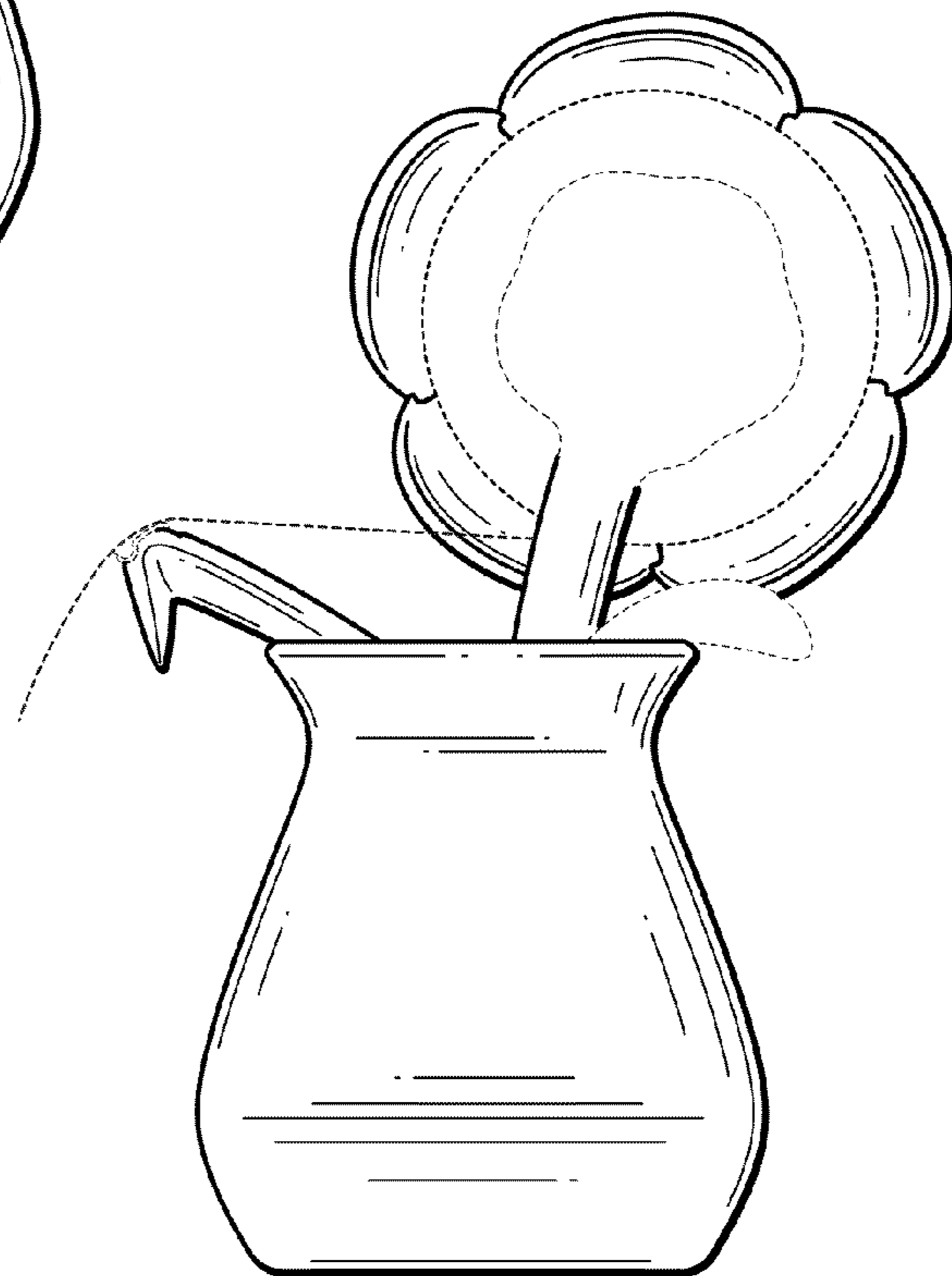


FIG. 8