



US00D687883S

(12) **United States Design Patent**  
**Ando et al.**

(10) **Patent No.:** **US D687,883 S**

(45) **Date of Patent:** **\*\* Aug. 13, 2013**

(54) **TUNER**

(71) Applicant: **Seiko Instruments Inc.**, Chiba (JP)

(72) Inventors: **Hitoshi Ando**, Chiba (JP); **Hiromi Chida**, Chiba (JP)

(73) Assignee: **Seiko Instruments Inc.** (JP)

(\*\*) Term: **14 Years**

(21) Appl. No.: **29/440,673**

(22) Filed: **Dec. 26, 2012**

(30) **Foreign Application Priority Data**

Jun. 27, 2012 (JP) ..... 2012-015183

(51) **LOC (9) Cl.** ..... **17-03**

(52) **U.S. Cl.**  
USPC ..... **D17/20**

(58) **Field of Classification Search**  
USPC ..... D17/20, 21, 99; 84/200, 214, 298,  
84/299, 312 R, 313, 317, 318, 454, 455, 312 P  
See application file for complete search history.

(56) **References Cited**

U.S. PATENT DOCUMENTS

D317,933	S	*	7/1991	Yoshitake	.....	D17/99
D319,250	S	*	8/1991	Iinuma	.....	D17/99
D371,790	S	*	7/1996	Takei	.....	D14/217
D375,515	S	*	11/1996	Takeda et al.	.....	D17/99
D378,683	S	*	4/1997	Ridinger	.....	D17/99
D387,798	S	*	12/1997	Miura	.....	D17/99
D444,460	S	*	7/2001	Kitazawa et al.	.....	D14/217
D604,760	S	*	11/2009	Small	.....	D17/20
D663,352	S	*	7/2012	Park	.....	D17/22

\* cited by examiner

*Primary Examiner* — Rashida Johnson

(74) *Attorney, Agent, or Firm* — Adams & Wilks

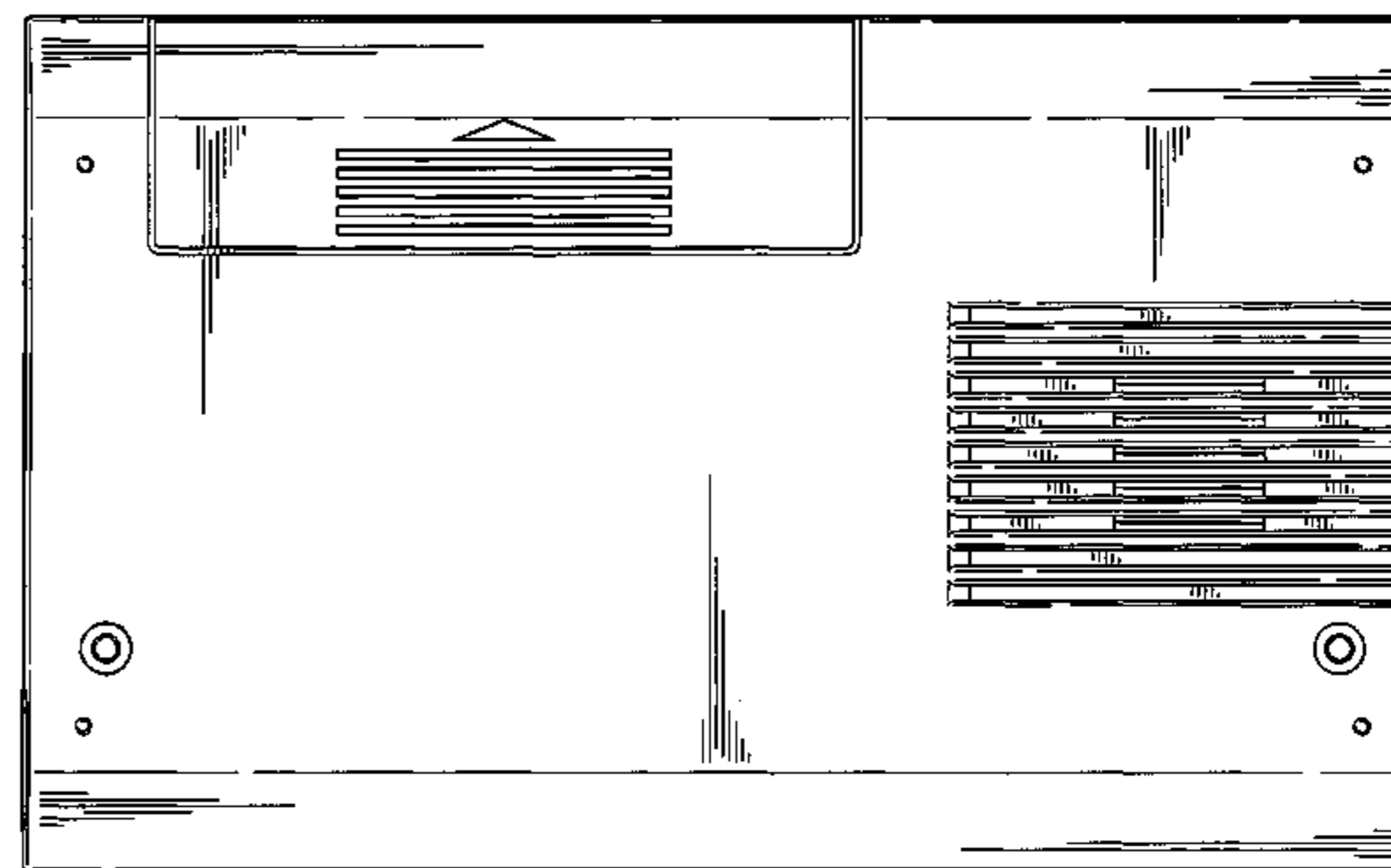
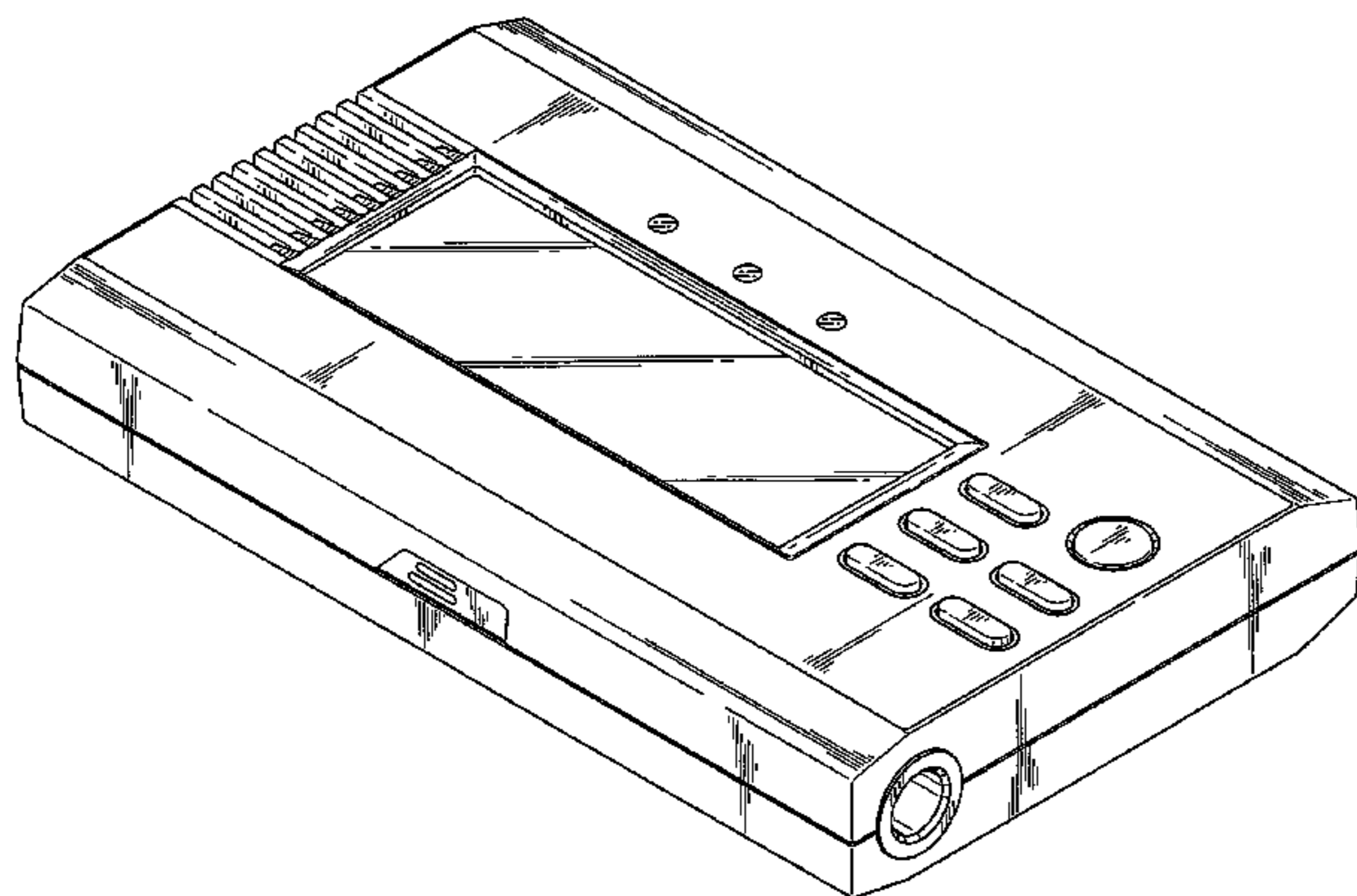
(57) **CLAIM**

The ornamental design for a tuner, shown and described.

**DESCRIPTION**

FIG. 1 is a perspective view of front, bottom and right side view showing a tuner showing our new design thereof;  
FIG. 2 is a front view thereof;  
FIG. 3 is a rear view thereof;  
FIG. 4 is a left side view thereof;  
FIG. 5 is a right side view thereof;  
FIG. 6 is a top view thereof; and,  
FIG. 7 is a bottom view thereof.

**1 Claim, 5 Drawing Sheets**



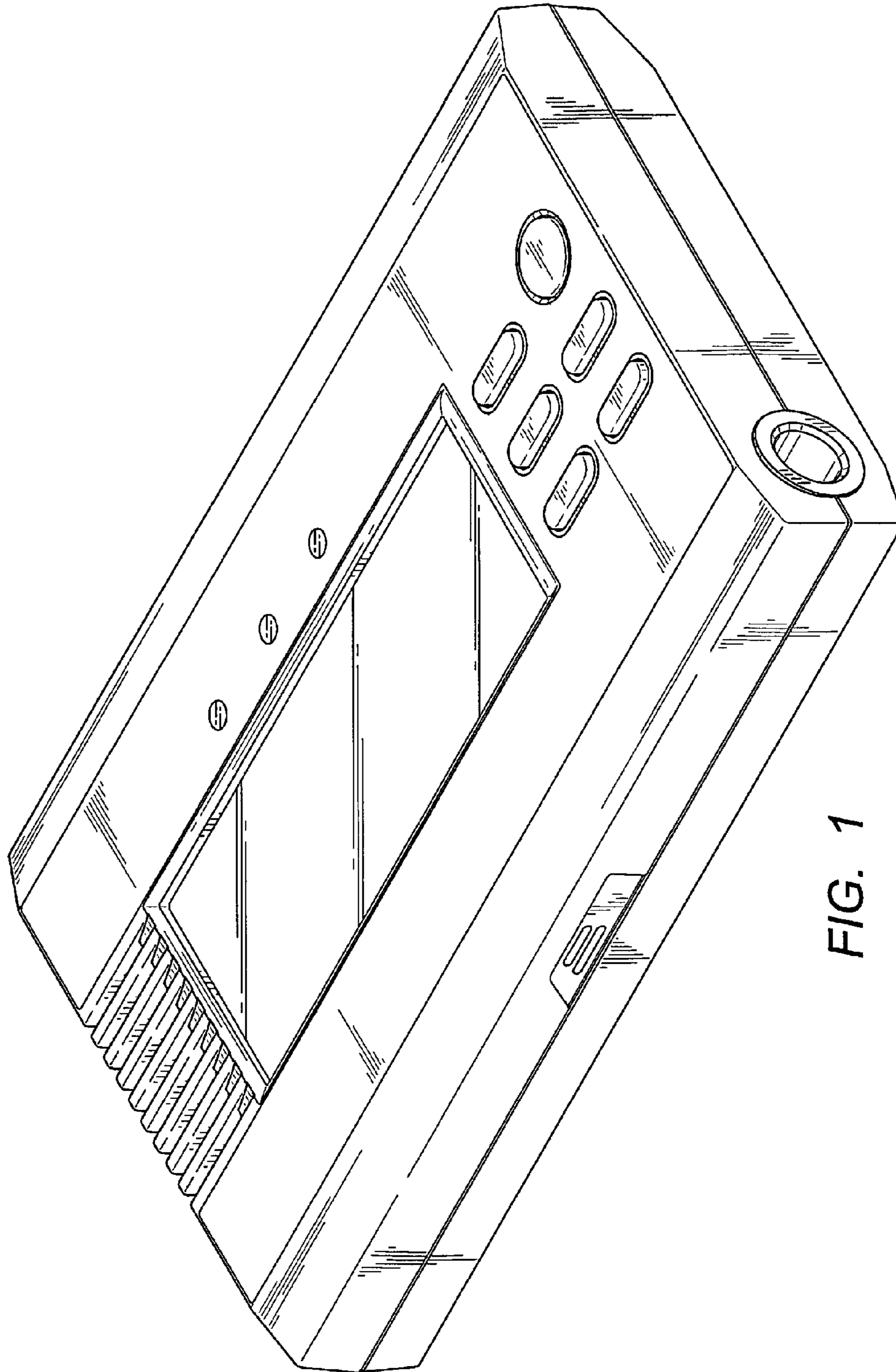


FIG. 1

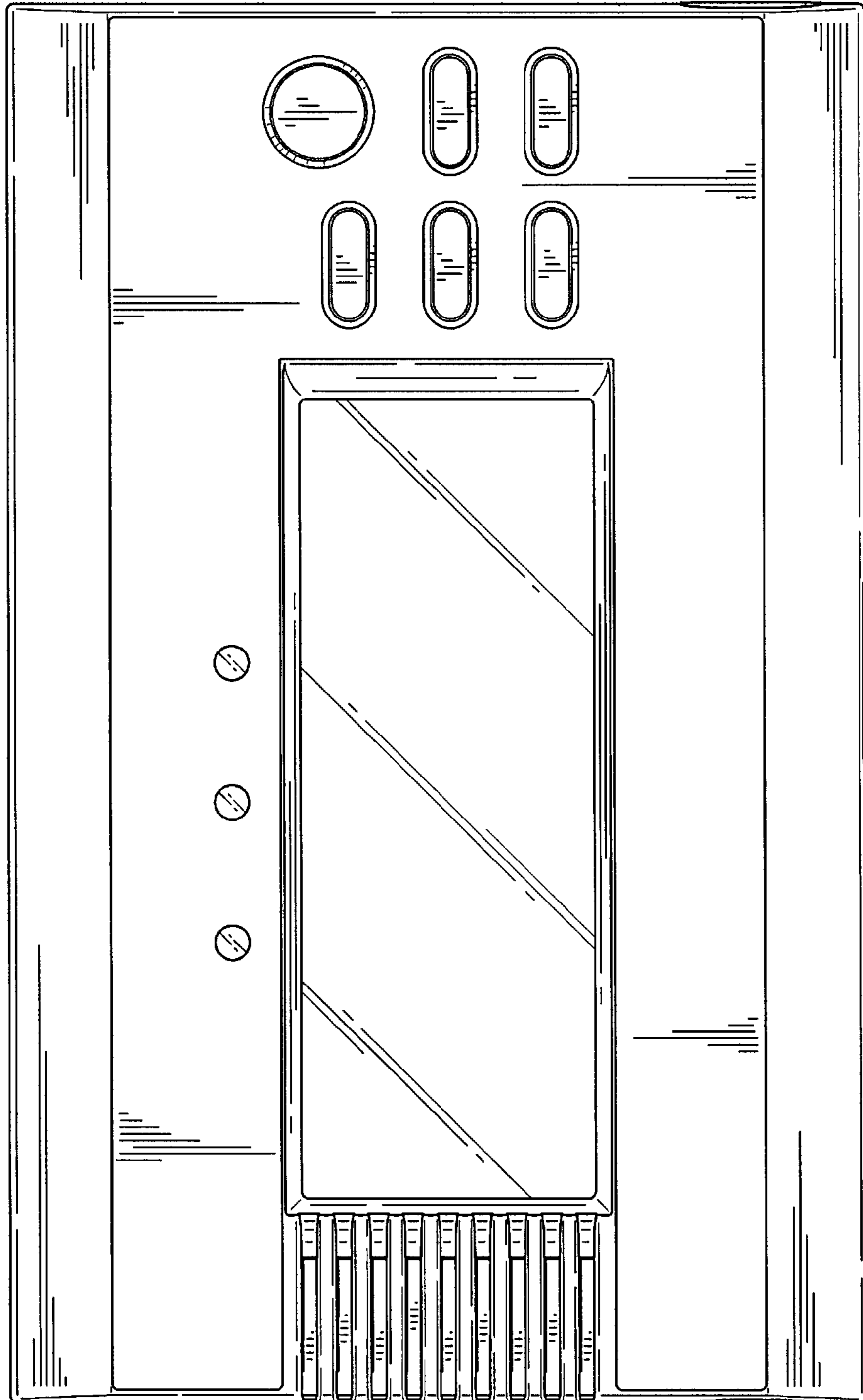


FIG. 2

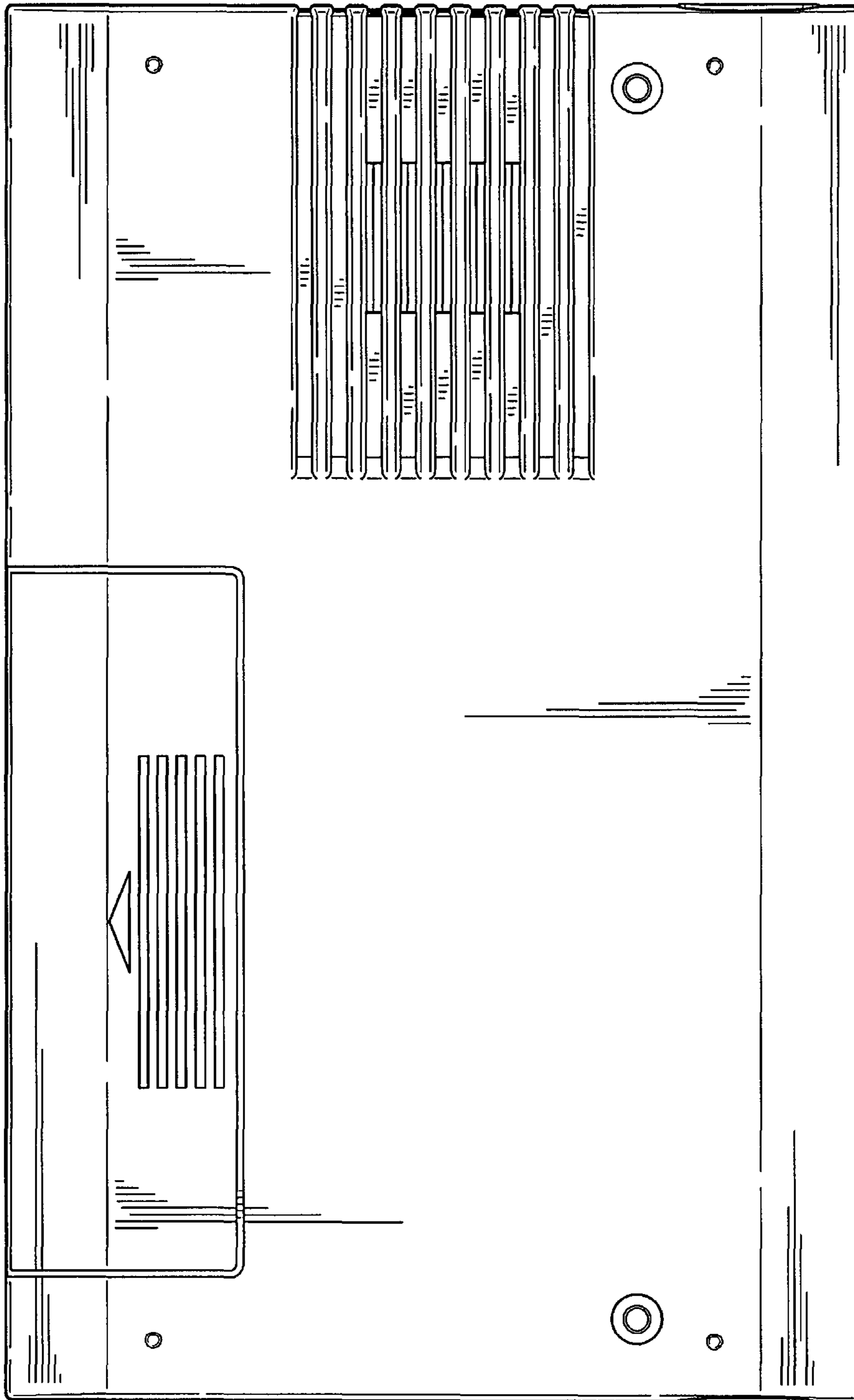


FIG. 3

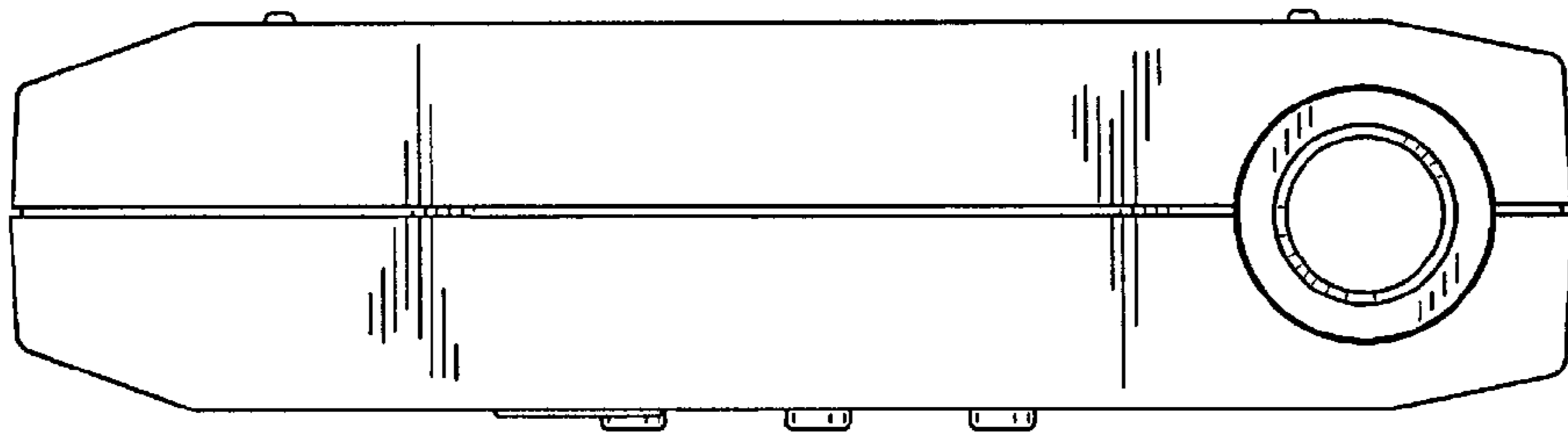


FIG. 5

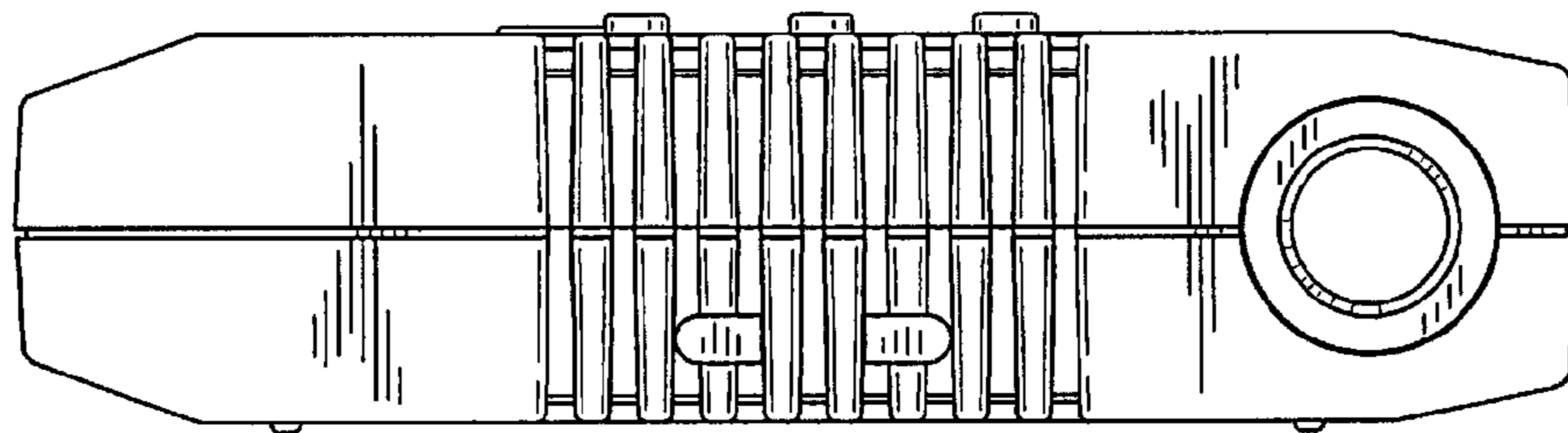


FIG. 4

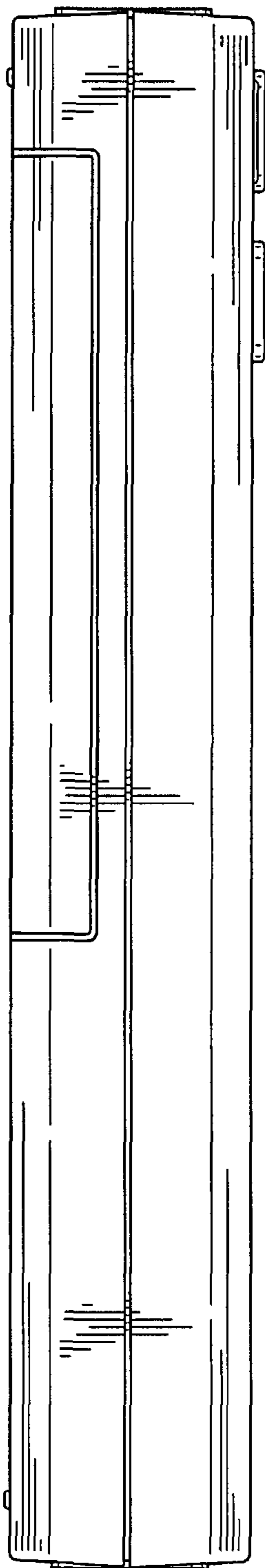


FIG. 6

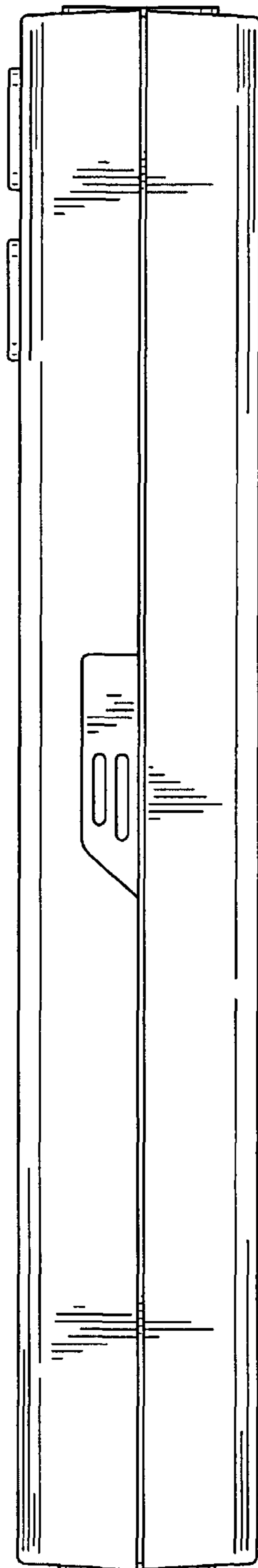


FIG. 7