



US00D687881S

(12) **United States Design Patent**
Ginther et al.

(10) **Patent No.:** **US D687,881 S**

(45) **Date of Patent:** **** Aug. 13, 2013**

(54) **GOGGLE**

(71) Applicant: **Oakley, Inc.**, Foothill Ranch, CA (US)

(72) Inventors: **David Ginther**, Ladera Ranch, CA (US);
James Nelson Castro, Laguna Niguel,
CA (US)

(73) Assignee: **Oakley, Inc.**, Foothill Ranch, CA (US)

(**) Term: **14 Years**

(21) Appl. No.: **29/444,543**

(22) Filed: **Jan. 31, 2013**

(51) **LOC (9) Cl.** **16-06**

(52) **U.S. Cl.**
USPC **D16/312**

(58) **Field of Classification Search**
USPC D16/101, 300-342, 900; D29/109-110;
351/41, 44, 51-52, 62, 158, 92, 103-123,
351/140-153, 45-46; 2/426-432, 447-449,
2/441, 434-437, 13, 15; D21/483, 659-661;
D14/372

See application file for complete search history.

(56) **References Cited**

U.S. PATENT DOCUMENTS

| | | | |
|-----------|----|---------|-----------------|
| 4,428,081 | A | 1/1984 | Smith |
| 4,455,689 | A | 6/1984 | Boyer |
| 4,528,701 | A | 7/1985 | Smith |
| 4,716,601 | A | 1/1988 | McNeal |
| 4,748,697 | A | 6/1988 | Hodnett |
| D322,795 | S | 12/1991 | Dianitsch |
| D405,102 | S | 2/1999 | Moritz et al. |
| D428,039 | S | 7/2000 | Thixton |
| 6,415,452 | B1 | 7/2002 | Watanabe et al. |
| 6,416,177 | B1 | 7/2002 | Gibson |
| D478,610 | S | 8/2003 | Moritz et al. |
| D478,926 | S | 8/2003 | Moritz et al. |
| 6,725,467 | B2 | 4/2004 | Harding |

| | | | |
|-----------|------|---------|----------------------------|
| D510,378 | S | 10/2005 | Dondero et al. |
| D519,147 | S | 4/2006 | Moritz et al. |
| D523,889 | S | 6/2006 | Chen |
| D537,100 | S | 2/2007 | Moritz et al. |
| D542,327 | S | 5/2007 | Hsu |
| D544,900 | S * | 6/2007 | Li D16/312 |
| D551,278 | S | 9/2007 | Moritz et al. |
| D577,054 | S | 9/2008 | Moritz |
| D578,562 | S | 10/2008 | Moritz |
| D616,483 | S | 5/2010 | Moritz |
| D616,914 | S * | 6/2010 | Moritz D16/312 |
| 7,810,174 | B2 * | 10/2010 | Matera 2/441 |
| D629,035 | S * | 12/2010 | Moritz et al. D16/312 |
| D640,724 | S | 6/2011 | Goodman et al. |

(Continued)

OTHER PUBLICATIONS

Goggles Giant, <http://www.gogglesgiant.com>, Smith Warp Racer
Pack Goggles, unknown publication date, printed Apr. 26, 2013.

(Continued)

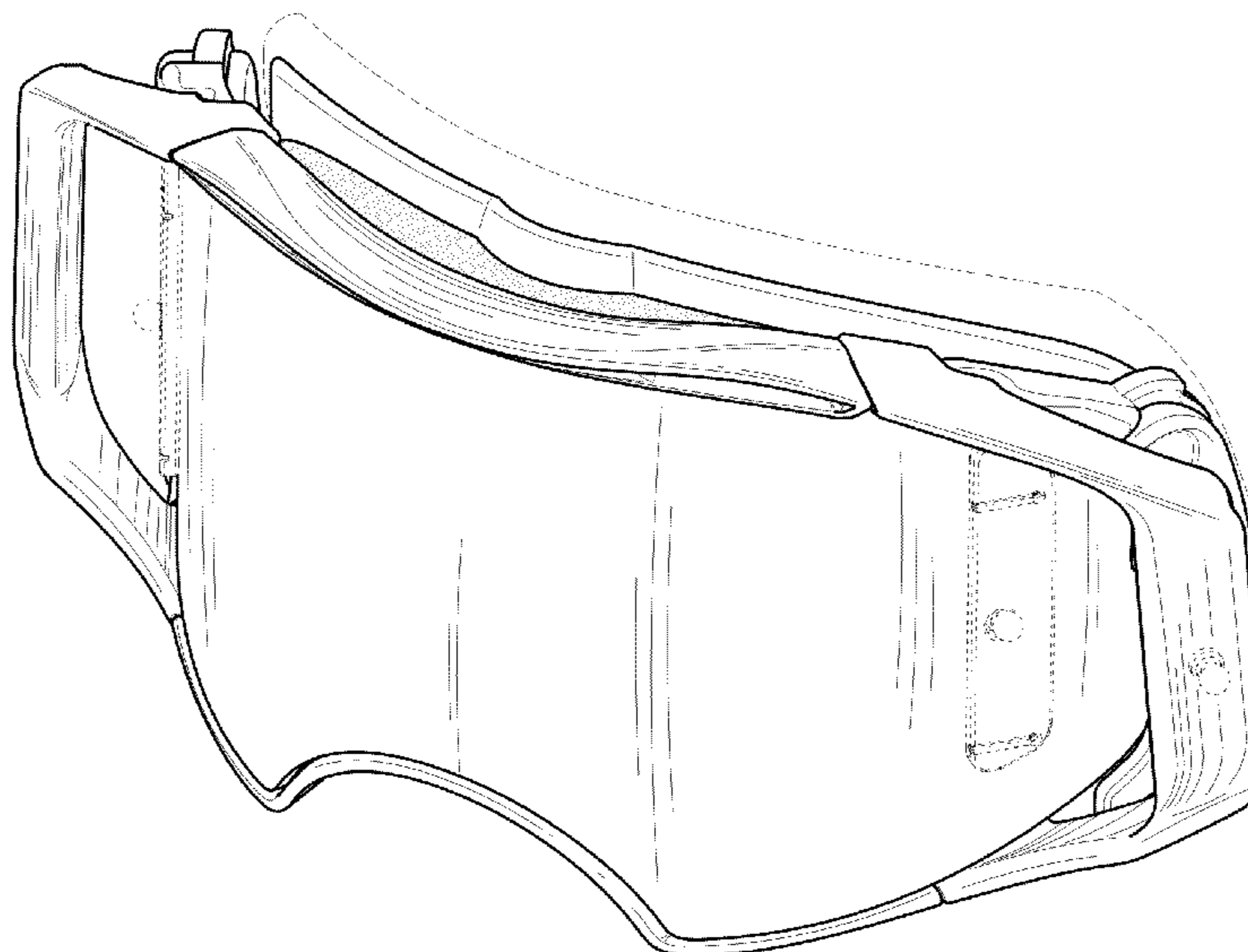
Primary Examiner — Raphael Barkai
(74) *Attorney, Agent, or Firm* — Knobbe Martens Olson &
Bear, LLP

(57) **CLAIM**
The ornamental design for a goggle, as shown and described.

DESCRIPTION

FIG. 1 is a front perspective view of a goggle showing our new design;
FIG. 2 is a front elevational view thereof;
FIG. 3 is a rear elevational view thereof;
FIG. 4 is a right side elevational view thereof;
FIG. 5 is a left side elevational view thereof;
FIG. 6 is a top plan view thereof; and,
FIG. 7 is a bottom plan view thereof.
The broken lines in the Figures show portions of the goggle which form no part of the claimed design.

1 Claim, 4 Drawing Sheets



(56)

References Cited

U.S. PATENT DOCUMENTS

7,971,268 B2 7/2011 Reyes et al.
D649,178 S 11/2011 Moritz et al.
D649,577 S 11/2011 Goodman et al.
2011/0225709 A1 9/2011 Reyes et al.
2011/0225710 A1 9/2011 Reyes et al.
2011/0225711 A1 9/2011 Reyes et al.

OTHER PUBLICATIONS

Smith Optics, <http://www.smithoptics.com>, Intake Sweat-X model, unknown publication date, printed Apr. 26, 2013.

Smith Optics, <http://www.smithoptics.com>, Roll Offs, unknown publication date, printed Apr. 26, 2013.

* cited by examiner

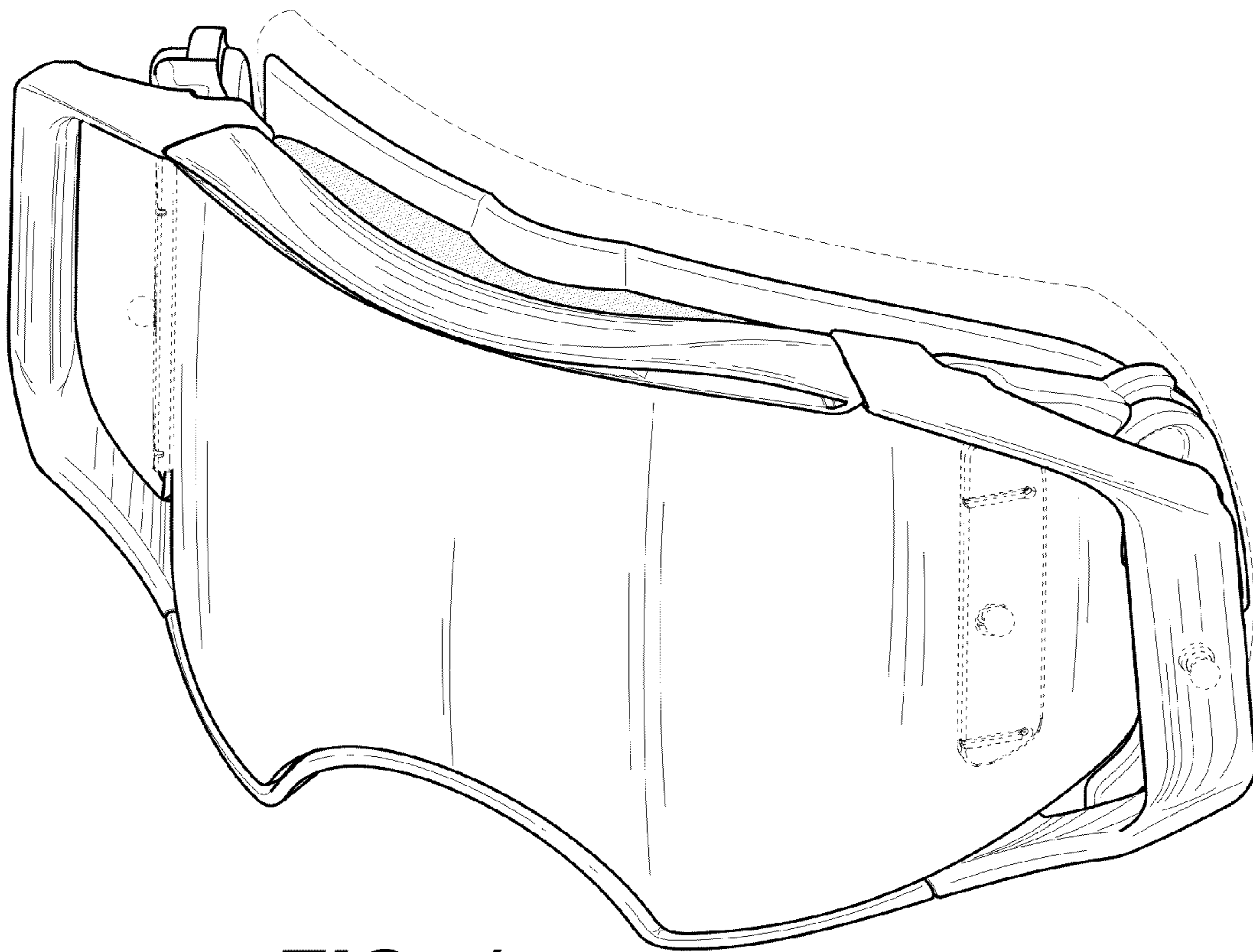


FIG. 1

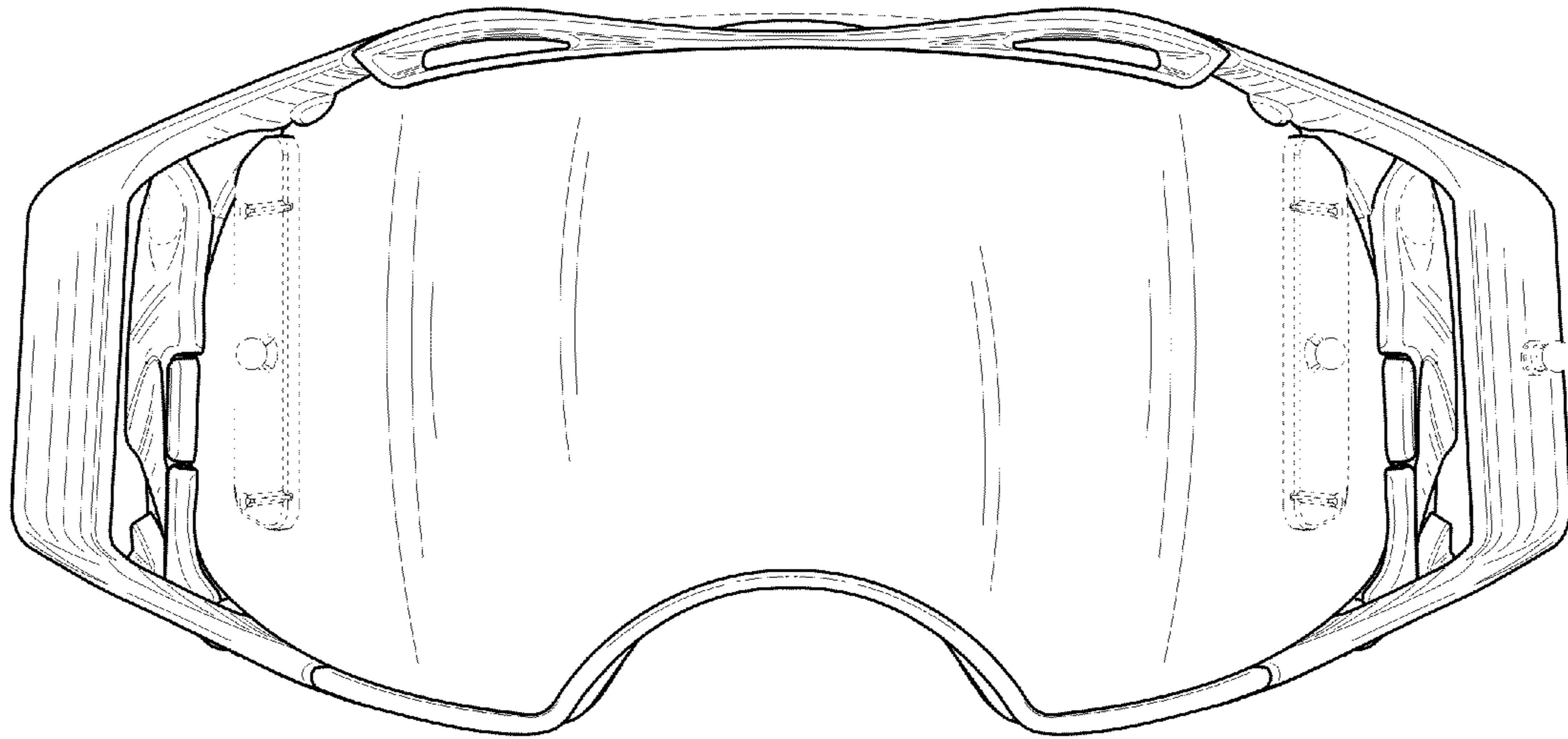


FIG. 2

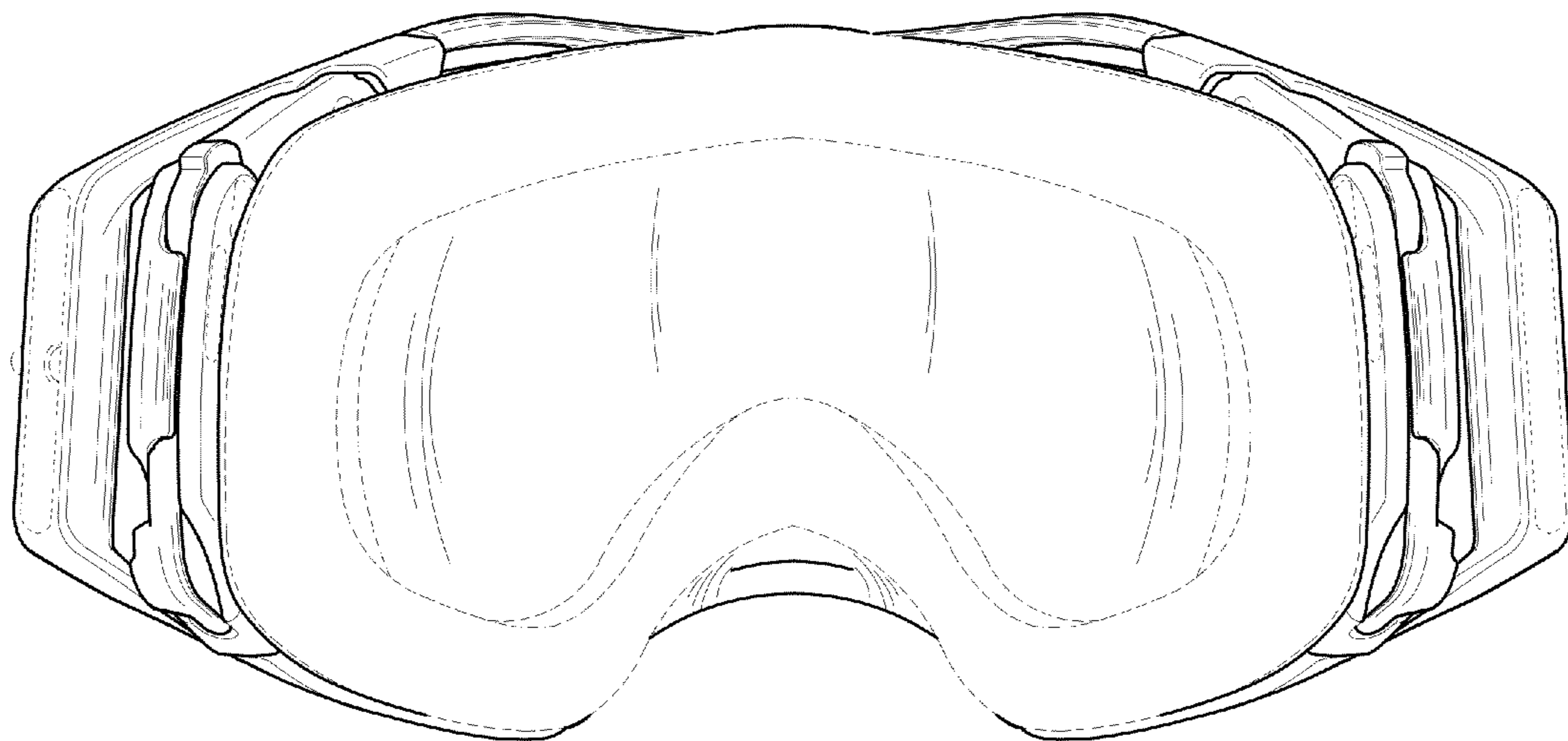


FIG. 3

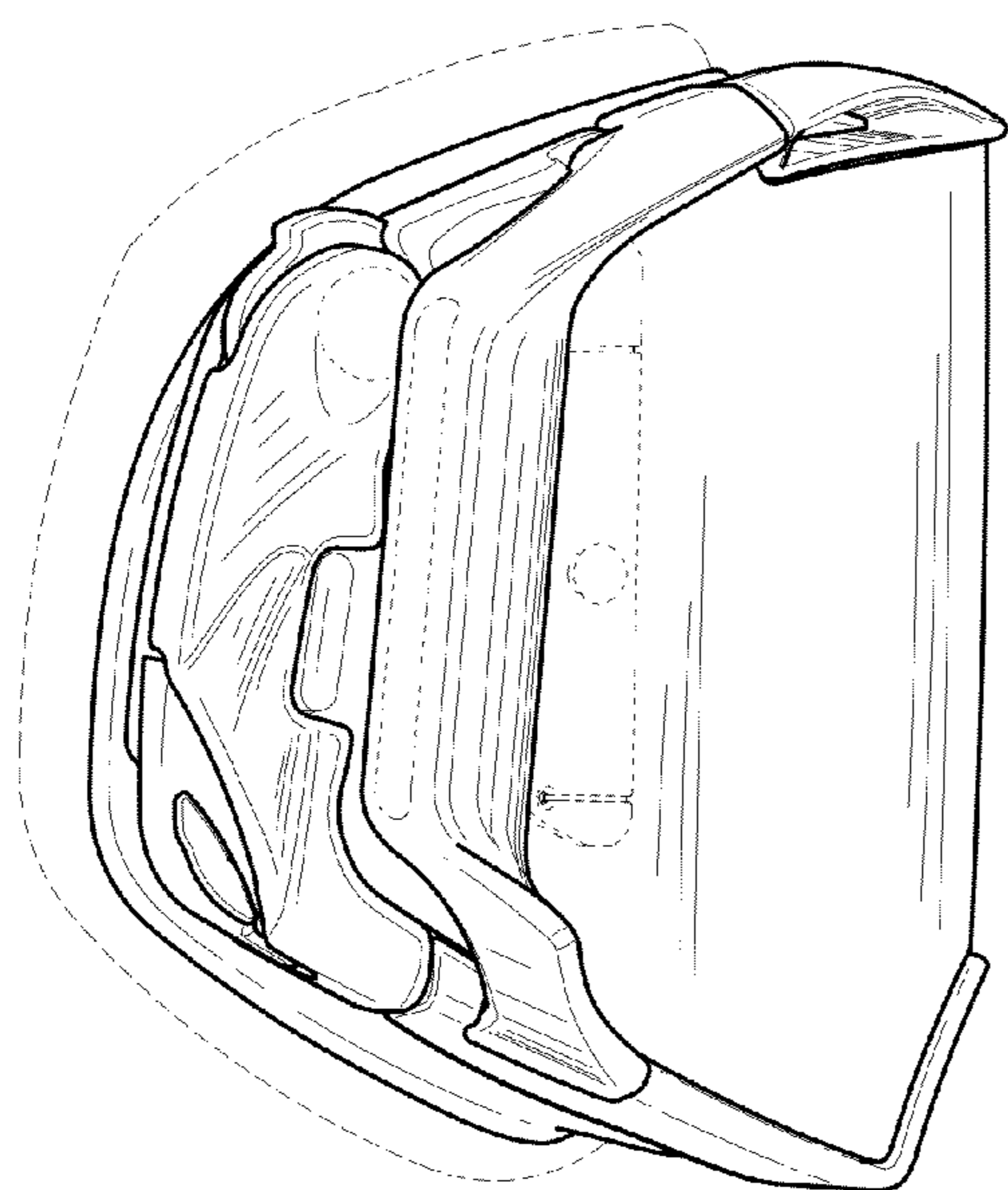


FIG. 4

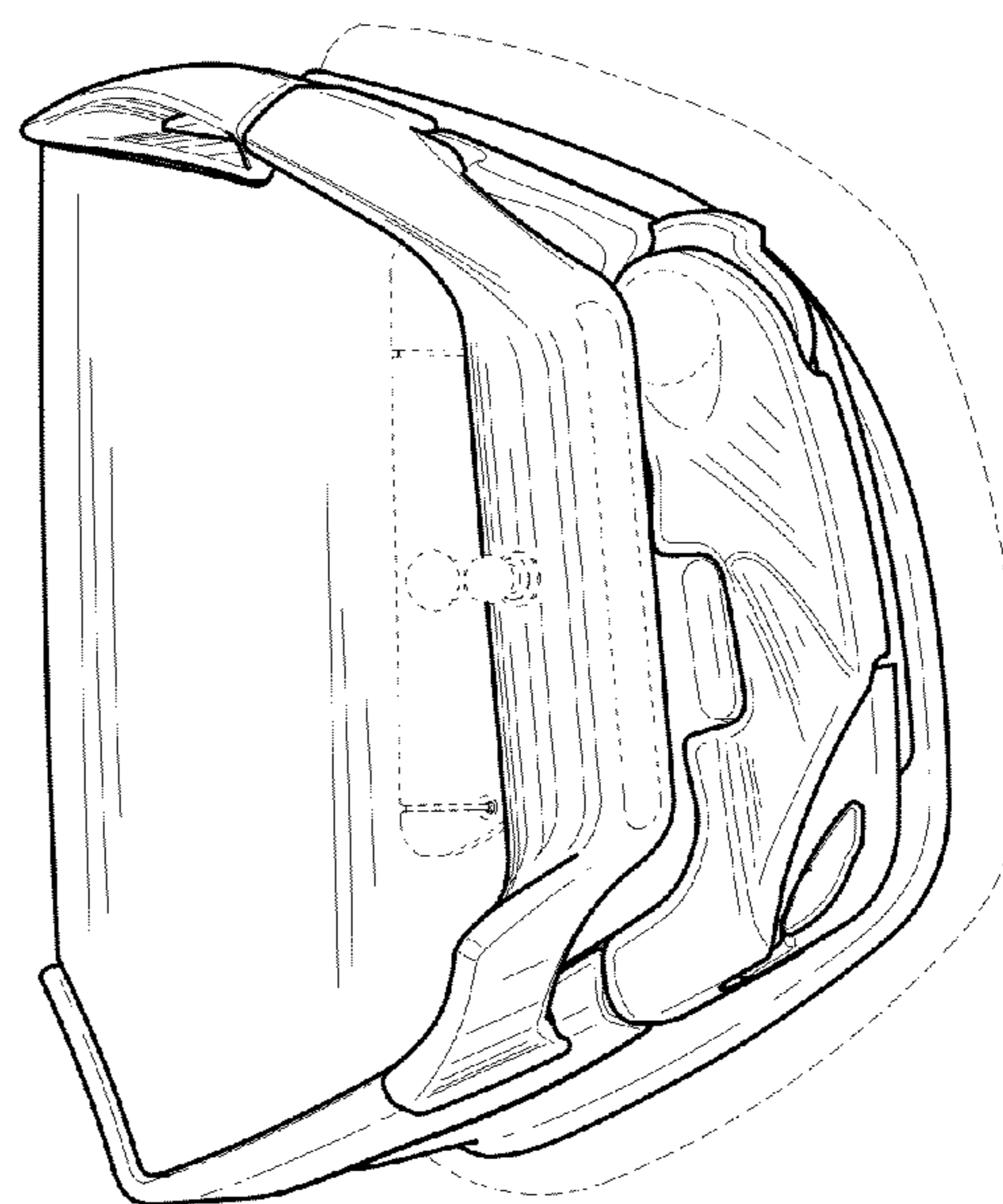


FIG. 5

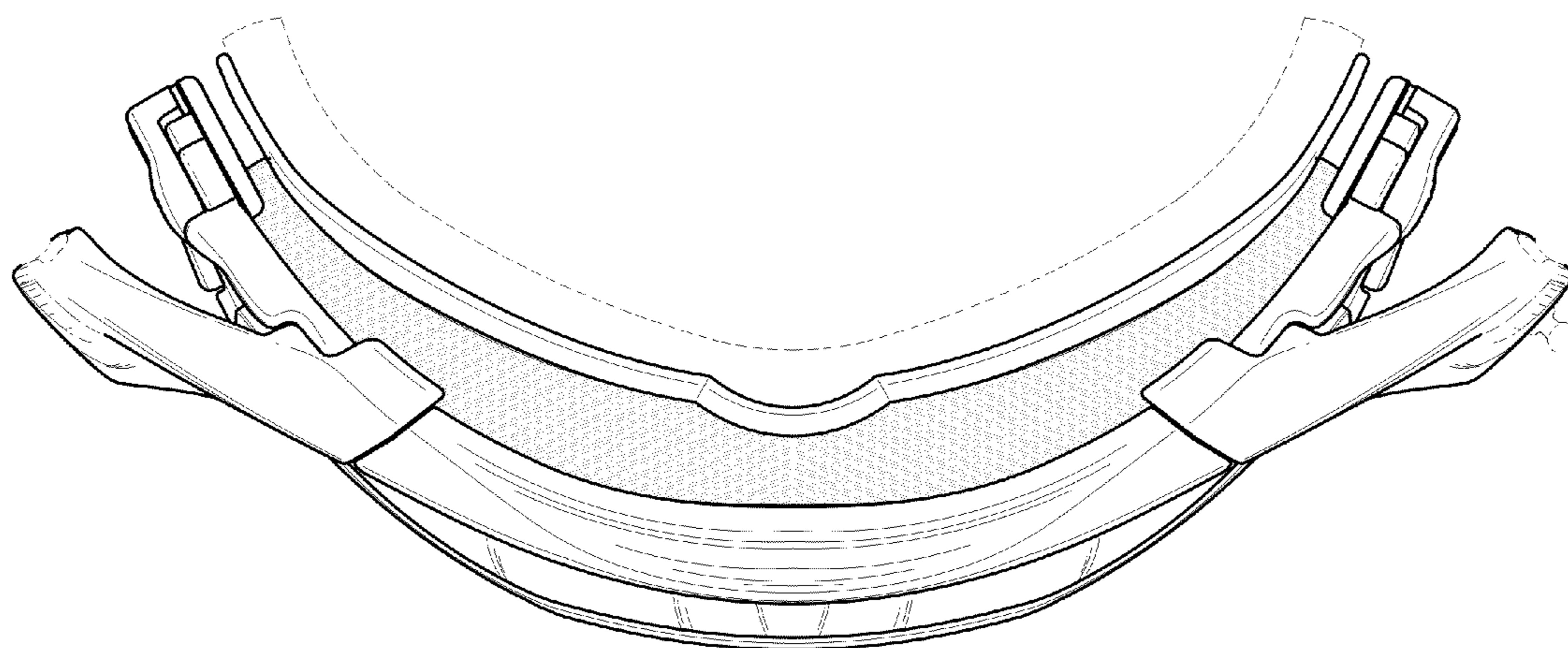


FIG. 6

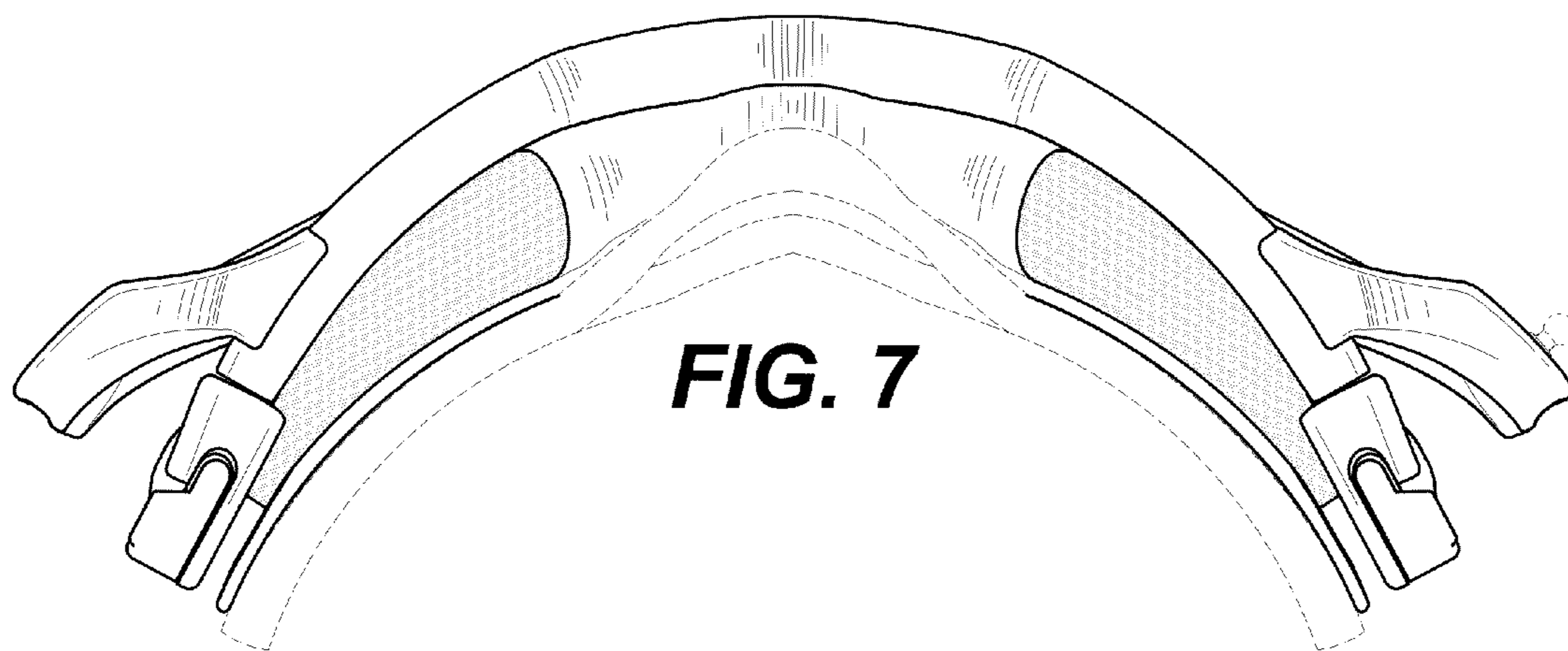


FIG. 7