



US00D687878S

(12) **United States Design Patent**
Greenthal

(10) **Patent No.:** **US D687,878 S**

(45) **Date of Patent:** **** Aug. 13, 2013**

(54) **CAMERA MOUNT**

(71) Applicant: **Steven M. Greenthal**, Buena Park, CA
(US)

(72) Inventor: **Steven M. Greenthal**, Buena Park, CA
(US)

(73) Assignee: **Nitroworks Corporation**, Buena Park,
CA (US)

(**) Term: **14 Years**

(21) Appl. No.: **29/437,849**

(22) Filed: **Nov. 21, 2012**

(51) **LOC (9) Cl.** **16-05**

(52) **U.S. Cl.**
USPC **D16/242**

(58) **Field of Classification Search**
USPC D16/219, 235, 237, 242–245, 250;
D14/217, 511; 248/176.1, 177.1, 178.1,
248/179.1, 180.1, 183.1, 187.1, 683; 348/373,
348/375; 396/419–420, 535; D8/394, 395
See application file for complete search history.

(56) **References Cited**

U.S. PATENT DOCUMENTS

D120,642 S *	5/1940	Heward	D16/245
2,506,095 A	5/1950	Mantz		
3,467,350 A	9/1969	Tyler		
3,891,301 A	6/1975	Heller		
4,233,634 A	11/1980	Adams		
4,645,320 A	2/1987	Muelling et al.		
D294,150 S *	2/1988	Iwasaki	D16/245
5,039,050 A	8/1991	Eidschun et al.		

5,243,370 A *	9/1993	Slater	352/243
D349,718 S *	8/1994	Chen	D16/245
D357,031 S *	4/1995	Hanke	D16/245
5,650,821 A	7/1997	Hewlett		
5,778,259 A	7/1998	Rink		
5,940,644 A	8/1999	Putora		
6,149,112 A	11/2000	Thieltges		
6,899,442 B2	5/2005	Howell et al.		
7,090,416 B2	8/2006	Mootz et al.		
7,241,060 B2	7/2007	Mootz et al.		
8,077,212 B2	12/2011	Chapman		
D670,752 S *	11/2012	Barber	D16/242

* cited by examiner

Primary Examiner — Susan Bennett Hattan

Assistant Examiner — Vy Koenig

(74) *Attorney, Agent, or Firm* — Erickson, Kernell,
Derousseau & Kleypas, LLC

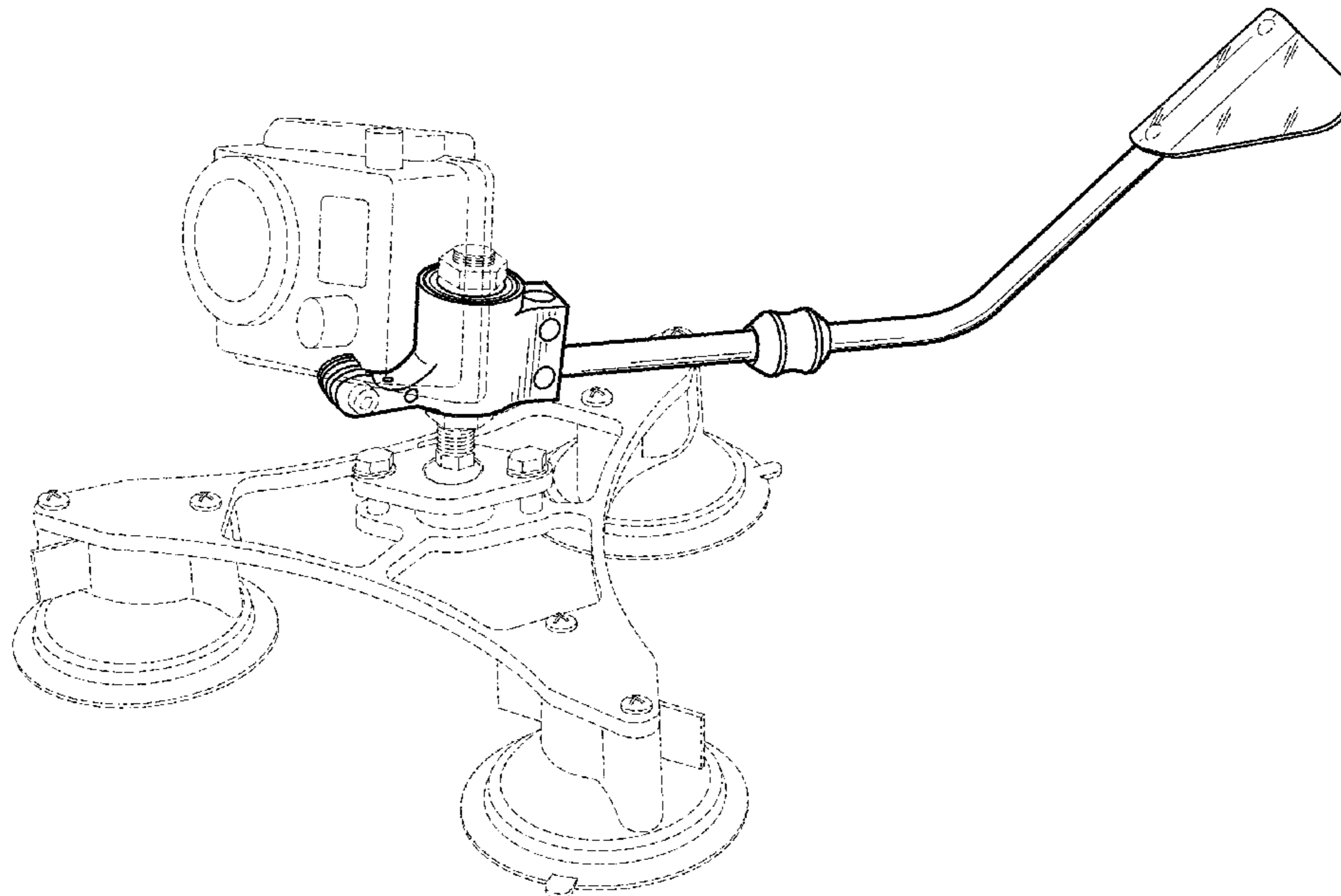
(57) **CLAIM**

The ornamental design for a camera mount, as shown and described.

DESCRIPTION

FIG. 1 is a right, front perspective view of a camera mount according to the present invention; FIG. 2 is a top plan view thereof; FIG. 3 is a right side elevational view thereof; FIG. 4 is a left side elevational view thereof; FIG. 5 is a front elevational view thereof; FIG. 6 is a rear elevational view thereof; and, FIG. 7 is a bottom plan view thereof. The broken lines in the drawing depict environmental subject matter only and form no part of the claimed design.

1 Claim, 5 Drawing Sheets



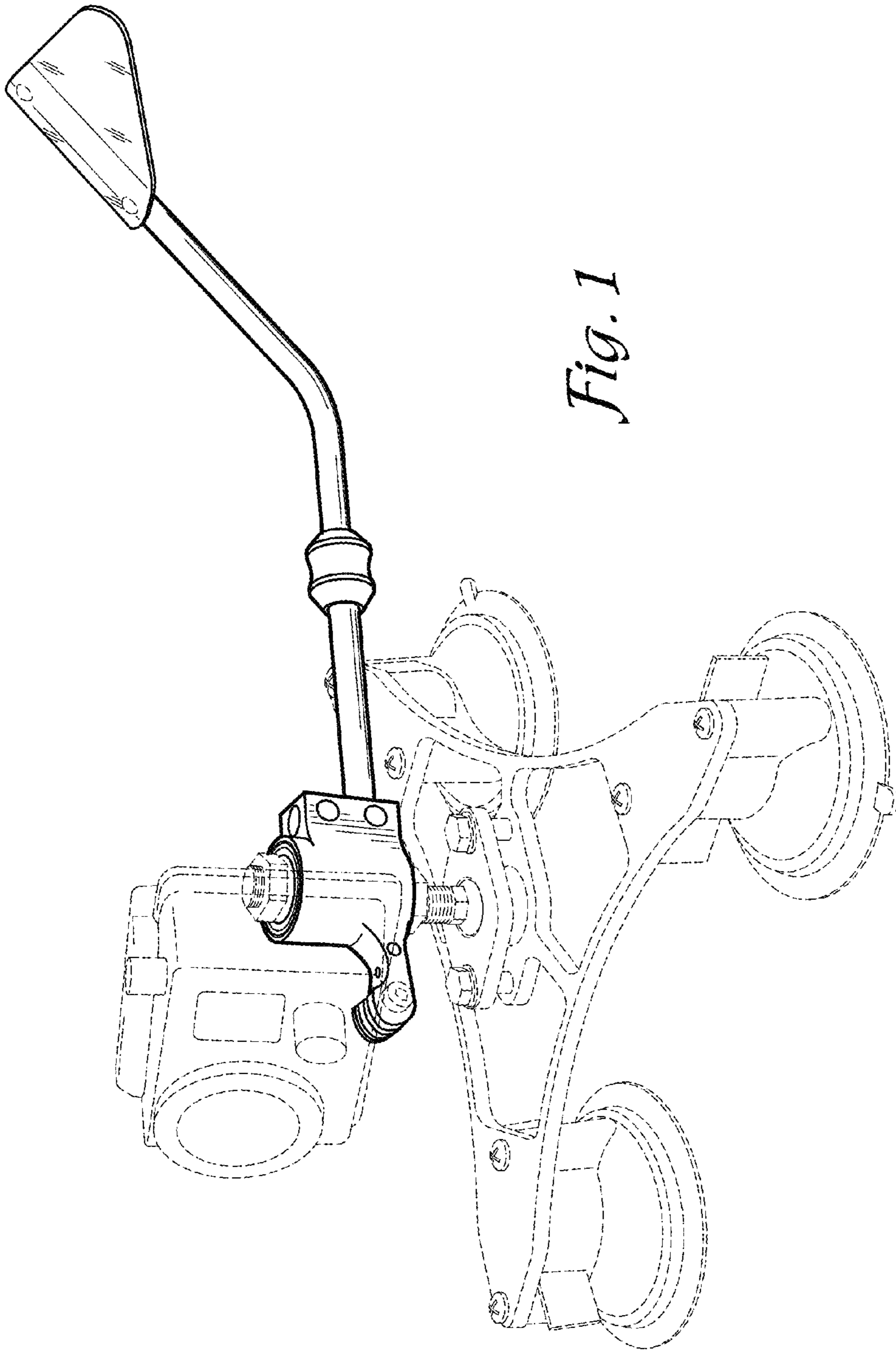


Fig. 1

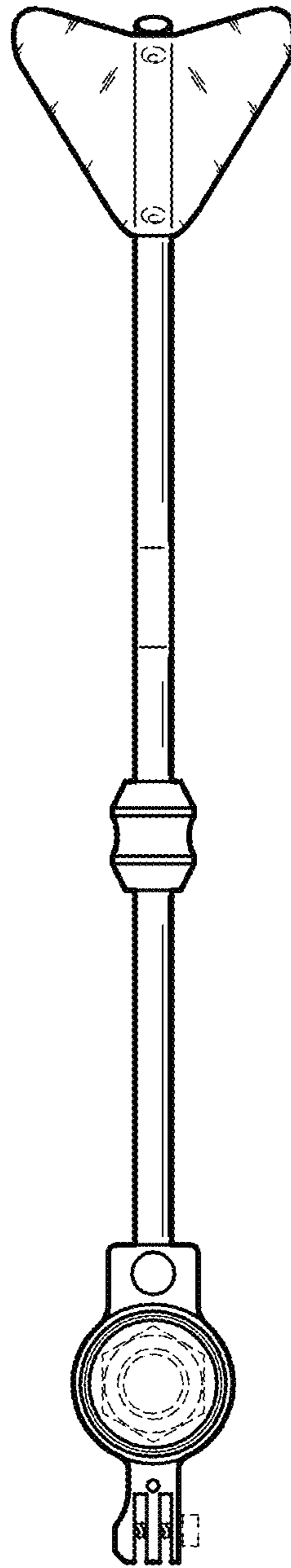


Fig. 2

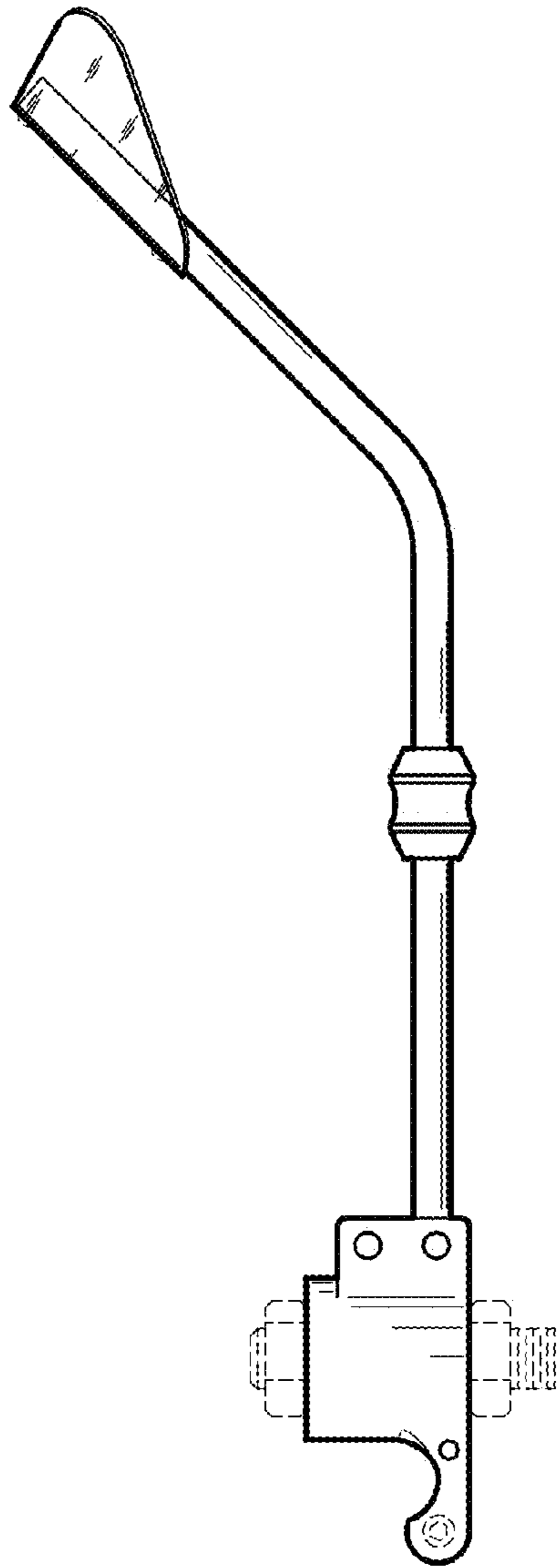


Fig. 3

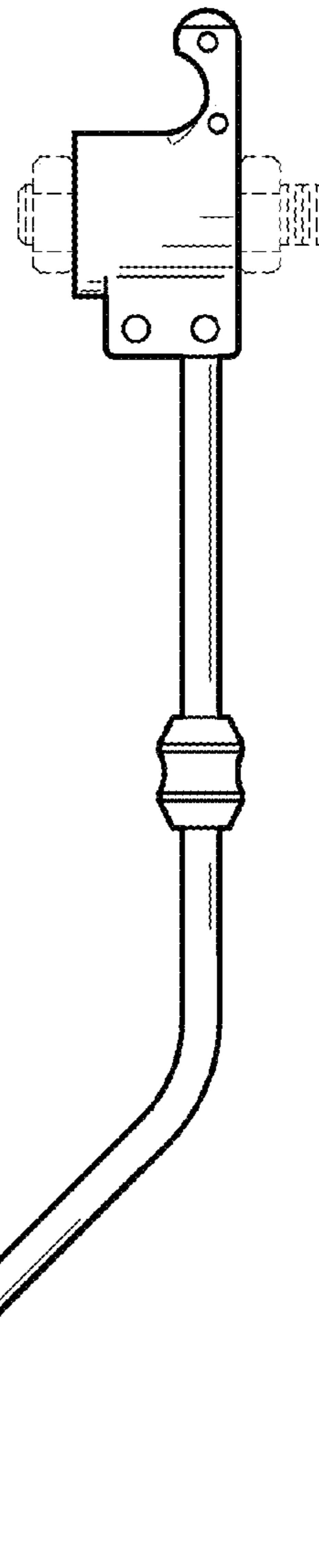


Fig. 4

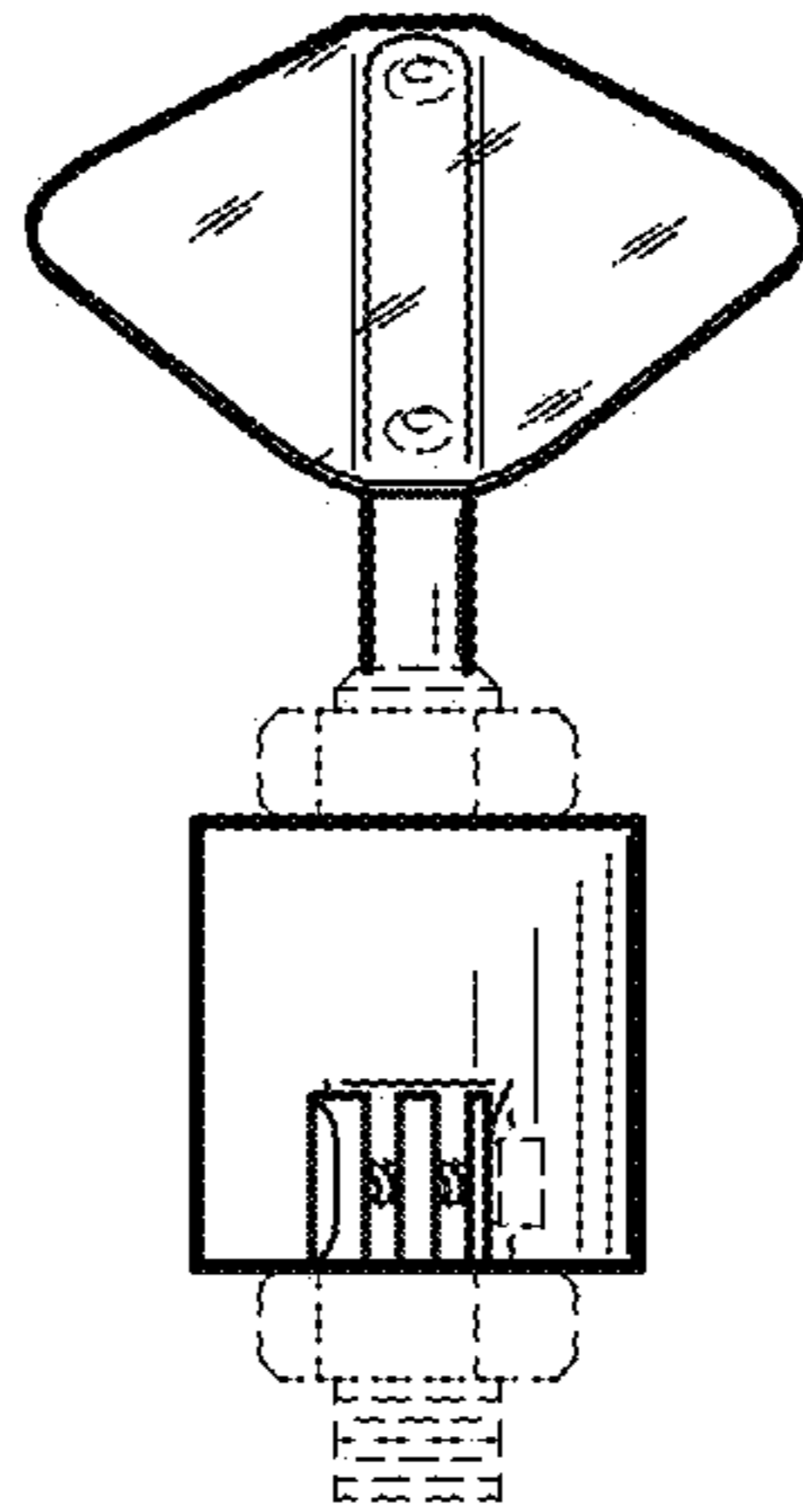


Fig. 5

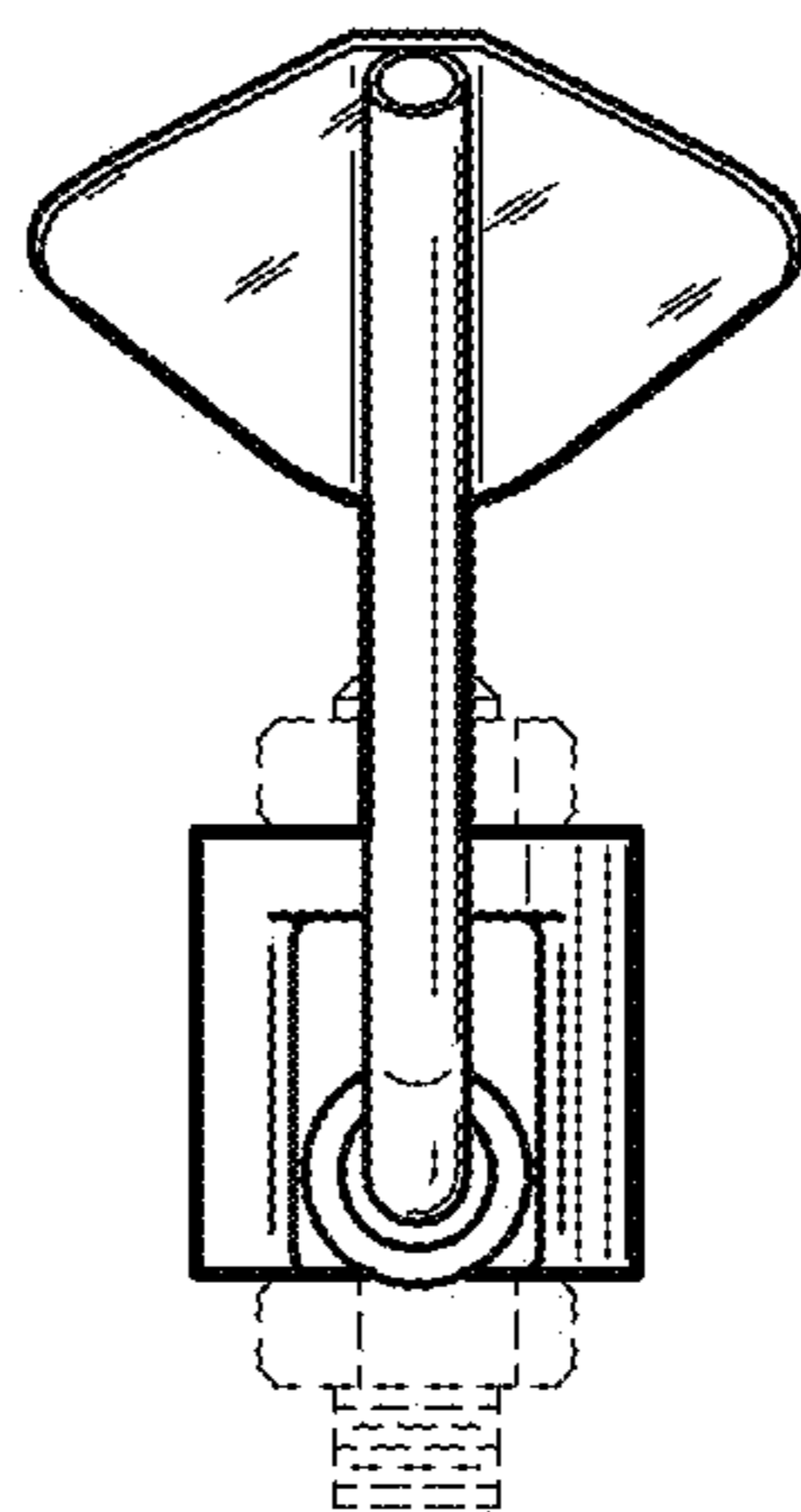


Fig. 6

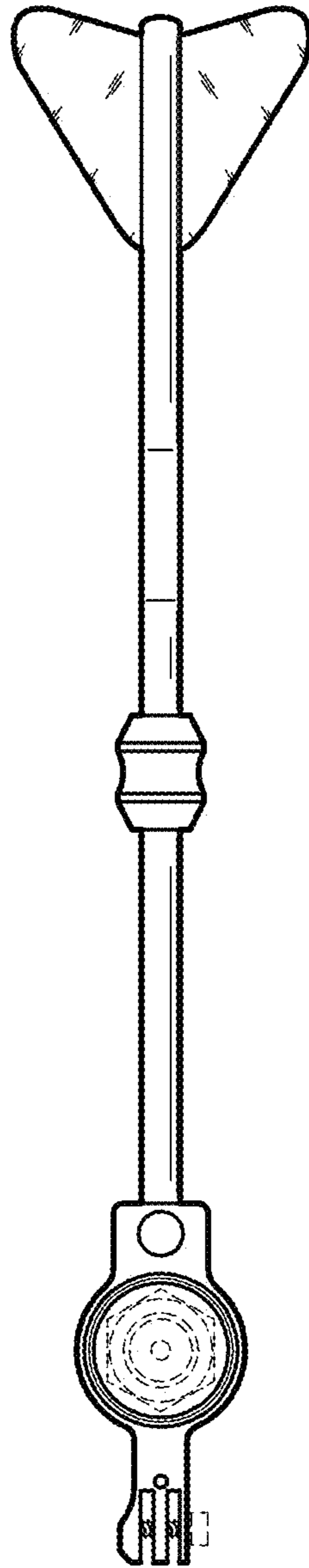


Fig. 7