



US00D687877S

(12) **United States Design Patent**
Chang

(10) **Patent No.:** **US D687,877 S**

(45) **Date of Patent:** **** Aug. 13, 2013**

(54) **STAND FOR MINI-PROJECTOR
INTEGRATED APPARATUS**

(75) Inventor: **Ming Chang Chang**, Hsin-Chu (TW)

(73) Assignee: **Aiptek International Inc.**, Hsin-Chu (TW)

(**) Term: **14 Years**

(21) Appl. No.: **29/429,658**

(22) Filed: **Aug. 15, 2012**

(51) **LOC (9) Cl.** **16-02**

(52) **U.S. Cl.**
USPC **D16/235; D16/225; D16/231**

(58) **Field of Classification Search**
USPC D16/201, 208, 213, 221, 225, 229–231,
D16/234–235, 202, 242; D21/514, 333; D6/310;
D13/107–108; D14/138 R, 138 AA, 217,
D14/251, 341, 345, 447, 240, 242; 353/115,
353/119, 122, 39; 248/176.1, 177.1; 348/373,
348/375–376; 455/90.3, 556.1, 557, 556.2
See application file for complete search history.

(56) **References Cited**

U.S. PATENT DOCUMENTS

D366,659	S	*	1/1996	Ross et al.	D14/447
5,606,594	A	*	2/1997	Register et al.	455/556.2
D452,496	S	*	12/2001	Murnaghan et al.	D14/242
D491,971	S	*	6/2004	Oross et al.	D16/225
D599,834	S	*	9/2009	Cheng et al.	D16/229
D632,326	S	*	2/2011	Hou	D16/229

7,983,034	B1	*	7/2011	Mohoney	361/679.41
D661,646	S	*	6/2012	Son	D13/108
2012/0052908	A1	*	3/2012	Kao et al.	455/557
2012/0224305	A1	*	9/2012	Yoo	248/176.1

OTHER PUBLICATIONS

Aiptek Launches Four Pico Projectors Especially For Mobile Phones—News—Trusted Reviews, [Retrieved on Jan. 7, 2013]. Retrieved from the Internet: <URL: <http://www.trustedreviews.com/news/aiptek-launches-four-pico-projectors-especially-for-mobile-phones>>.*

* cited by examiner

Primary Examiner — Wan Laymon

(74) *Attorney, Agent, or Firm* — Muncy, Geissler, Olds & Lowe, PLLC

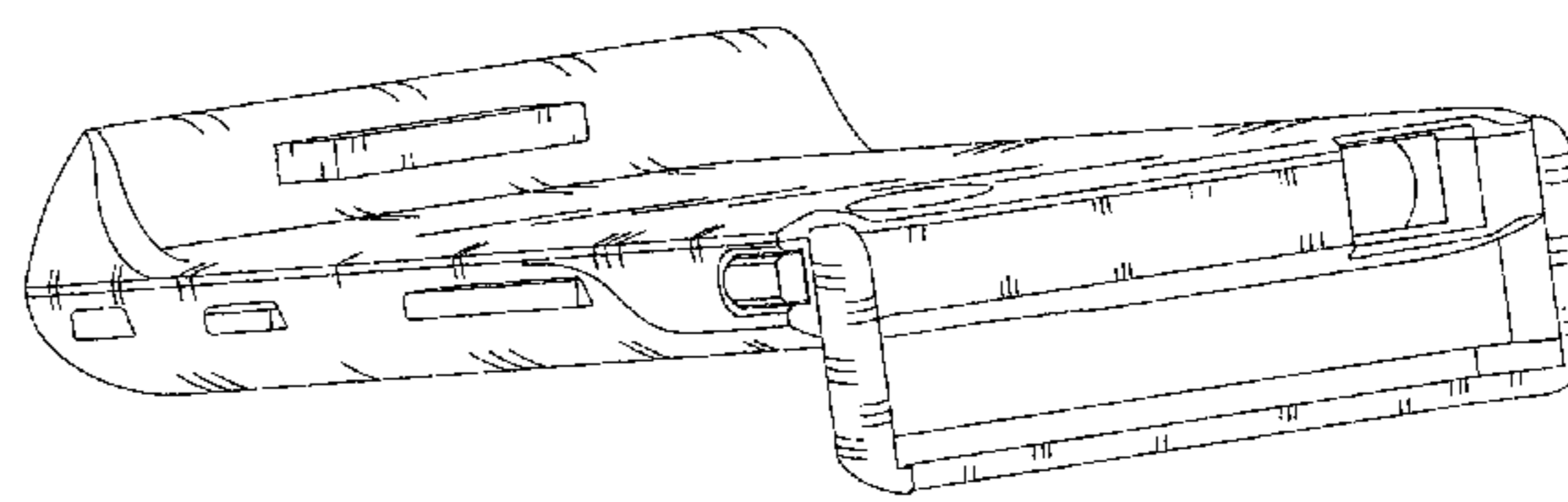
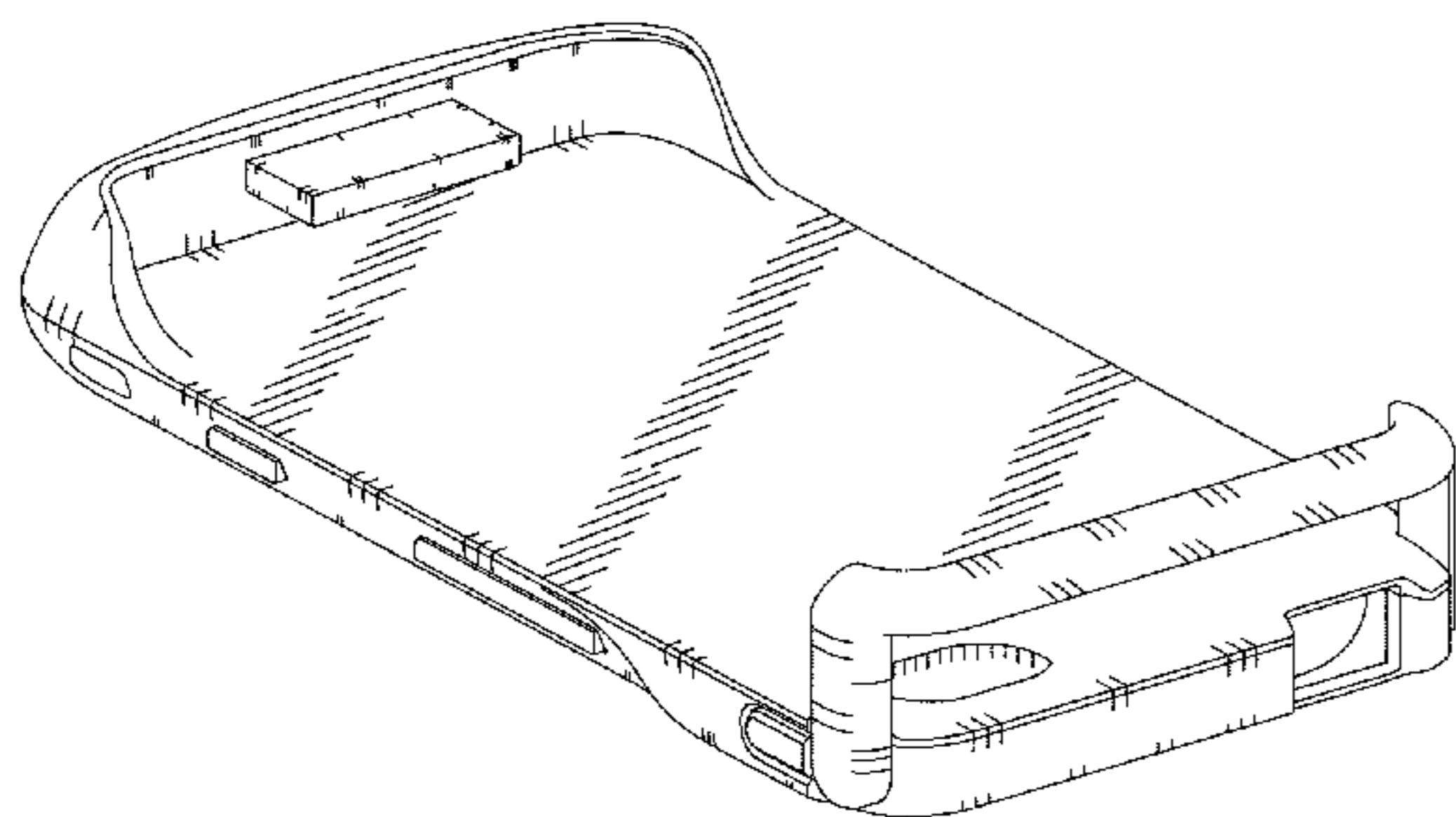
(57) **CLAIM**

The ornamental design for a stand for mini-projector integrated apparatus, as shown and described.

DESCRIPTION

FIG. 1 is a perspective view of a stand for mini-projector integrated apparatus showing my new design; FIG. 2 is a front elevational view thereof; FIG. 3 is a rear elevational view thereof; FIG. 4 is a left side elevational view thereof; FIG. 5 is a right side elevational view thereof; FIG. 6 is a top plan view thereof; FIG. 7 is a bottom plan view thereof; and, FIG. 8 is a reference view showing use state of the subject design.

1 Claim, 8 Drawing Sheets



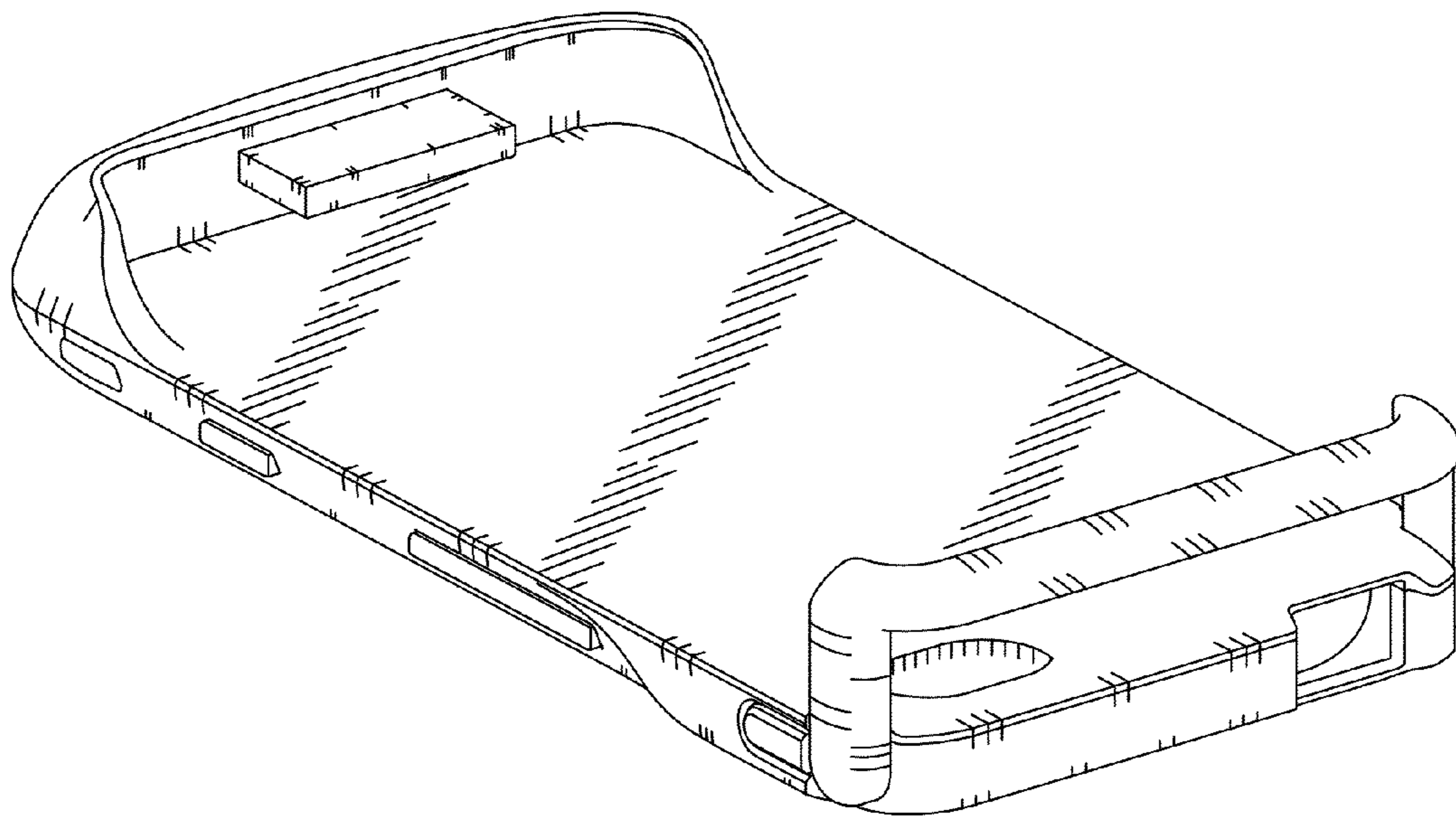


Fig. 1

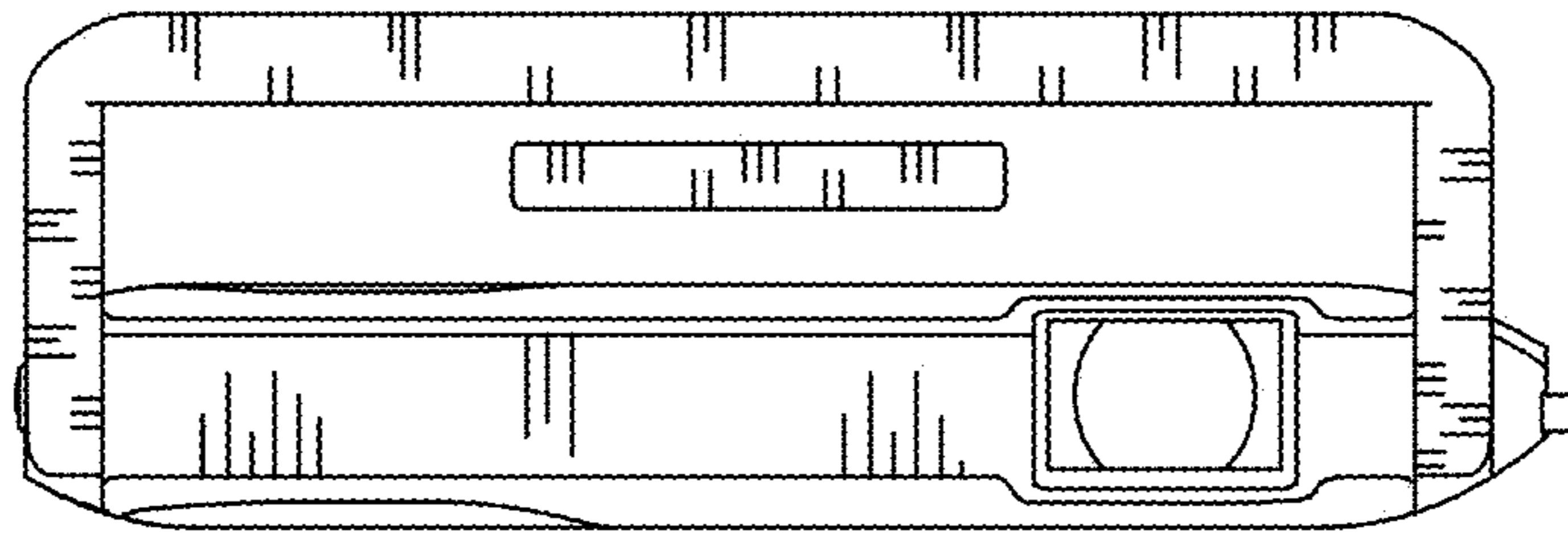


Fig.2

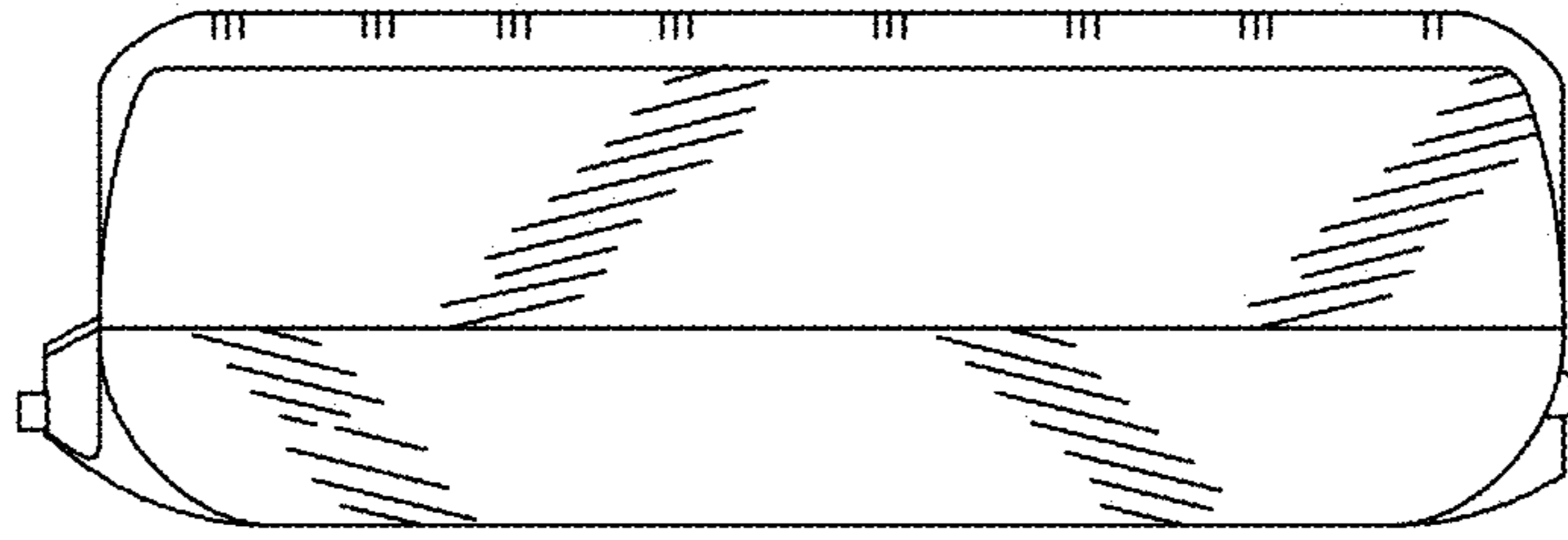


Fig.3

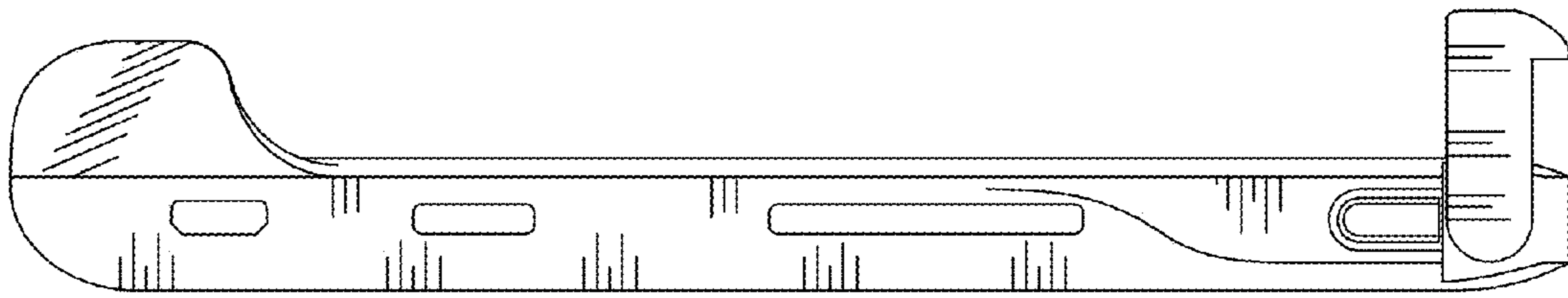


Fig.4

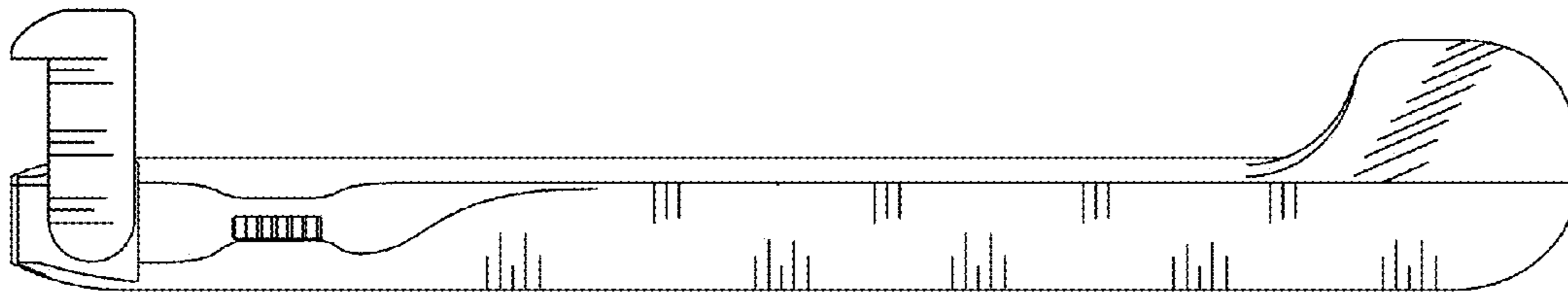


Fig.5

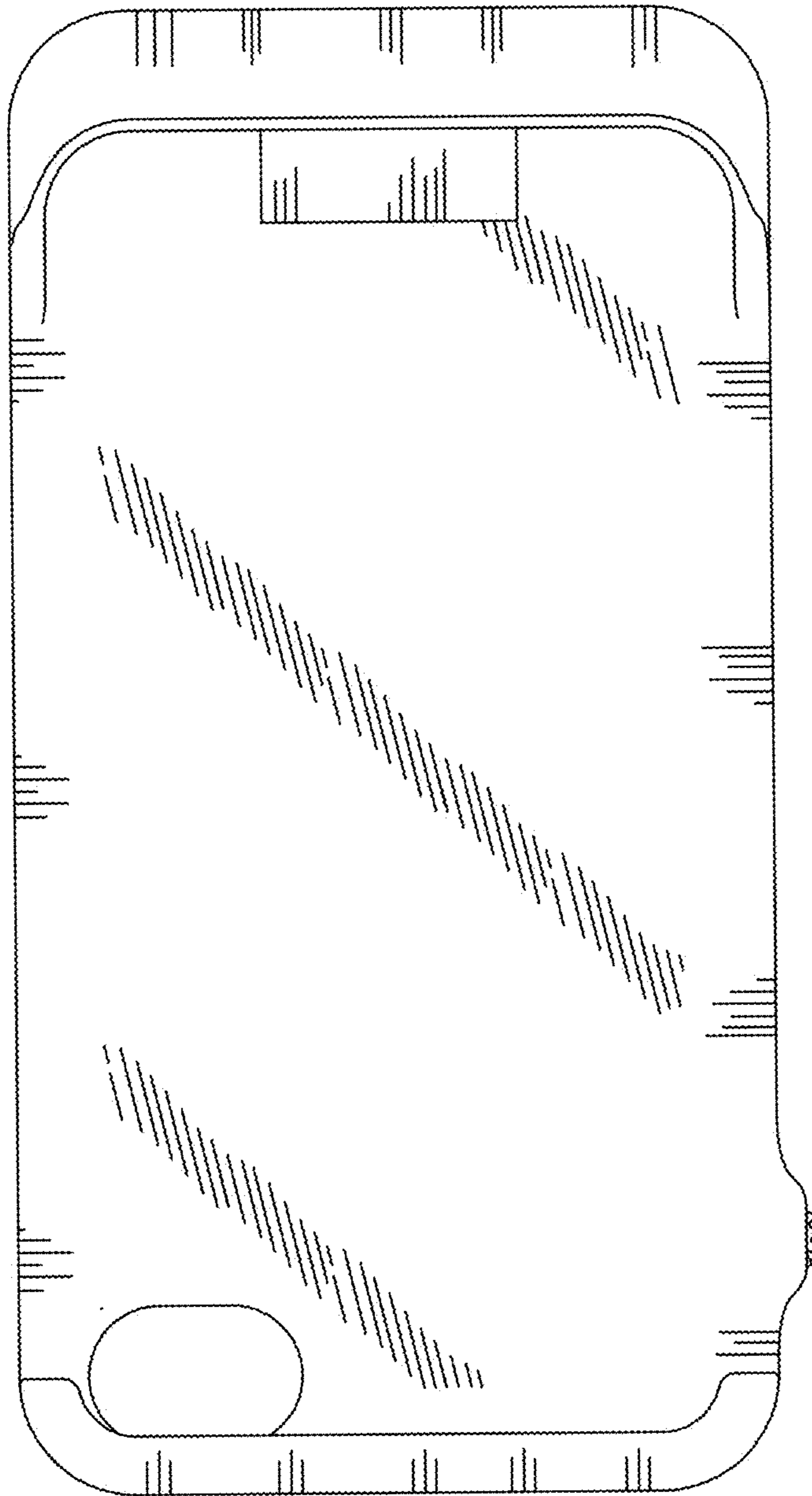


Fig.6

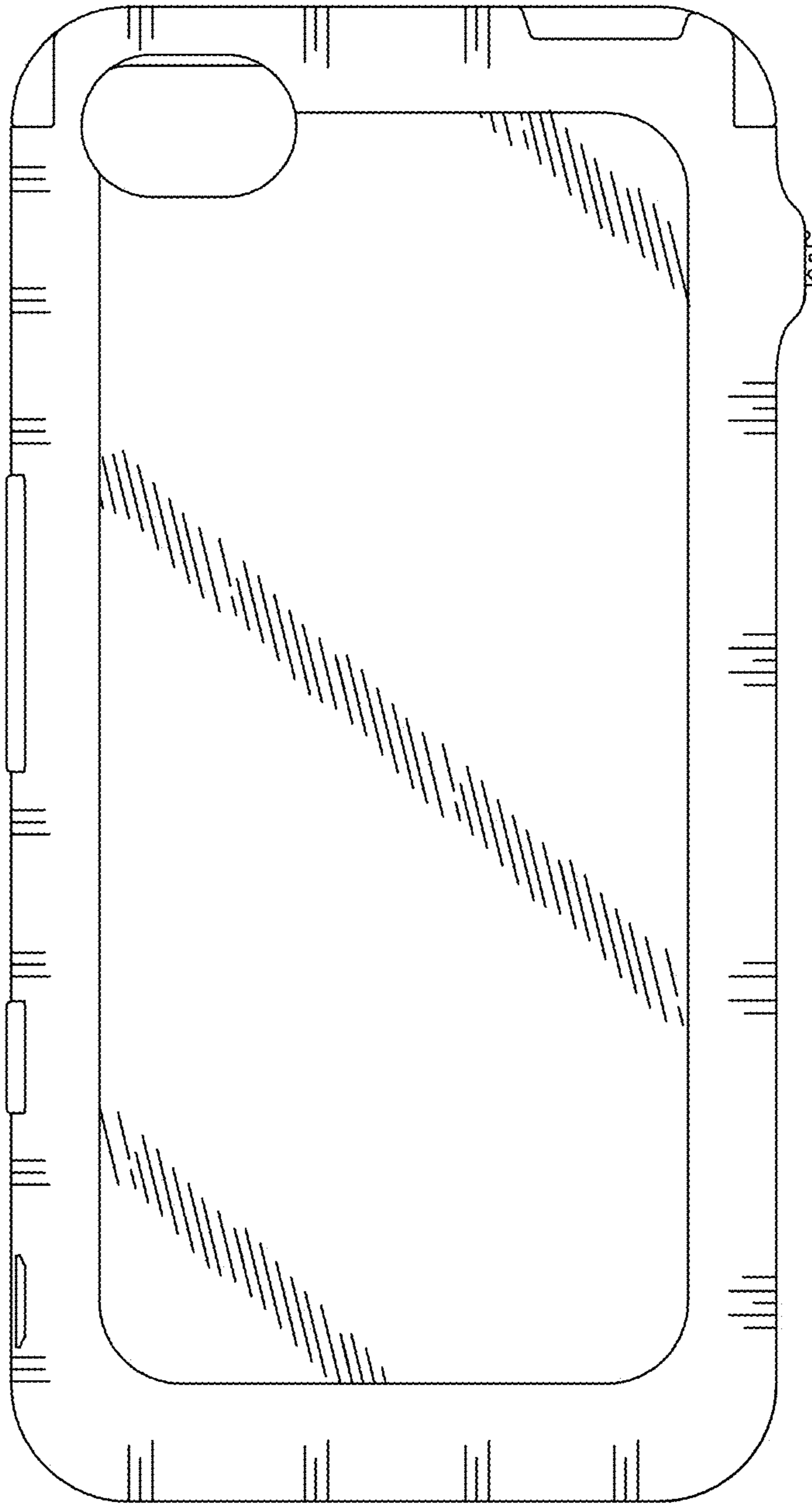


Fig.7

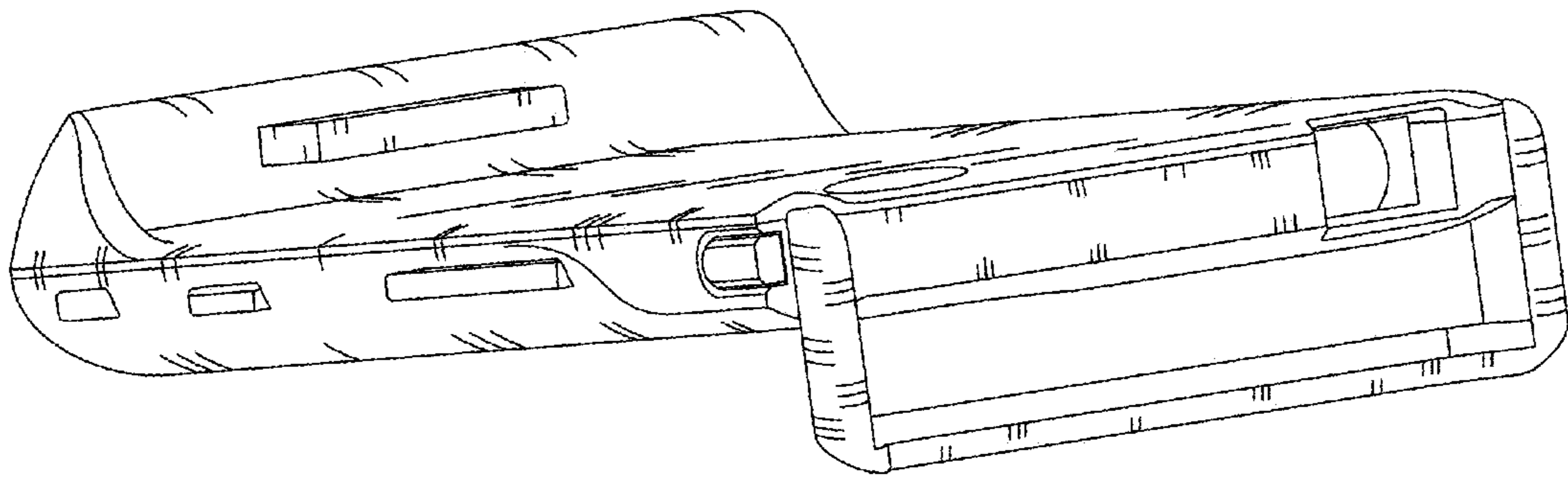


Fig.8