



US00D687875S

(12) **United States Design Patent**  
**Sasaki**

(10) **Patent No.:** **US D687,875 S**

(45) **Date of Patent:** **\*\* Aug. 13, 2013**

(54) **CAMCORDER**

(75) **Inventor:** **Yuzuko Sasaki**, Tokyo (JP)

(73) **Assignee:** **JVC Kenwood Corporation**,  
Yokohama-shi, Kanagawa (JP)

(\*\*) **Term:** **14 Years**

(21) **Appl. No.:** **29/425,151**

(22) **Filed:** **Jun. 20, 2012**

(30) **Foreign Application Priority Data**

Dec. 21, 2011 (JP) ..... D2011-029619

(51) **LOC (9) Cl.** ..... **16-01**

(52) **U.S. Cl.**  
USPC ..... **D16/202**

(58) **Field of Classification Search**  
USPC ..... D16/200-205, 208, 218; 348/373-376;  
358/906; 396/535-541  
See application file for complete search history.

(56) **References Cited**

**U.S. PATENT DOCUMENTS**

5,499,052 A \* 3/1996 Nakanishi et al. .... 348/373  
D500,776 S \* 1/2005 Miyashita ..... D16/202

D520,546 S \* 5/2006 Kim ..... D16/202  
D521,041 S \* 5/2006 Chung et al. .... D16/202  
D532,805 S \* 11/2006 Masano et al. .... D16/202  
D569,407 S \* 5/2008 Narita et al. .... D16/217  
8,040,431 B2 \* 10/2011 Okuda et al. .... 348/374  
D664,578 S \* 7/2012 Tanifuji et al. .... D16/202

\* cited by examiner

*Primary Examiner* — Adir Aronovich

(74) *Attorney, Agent, or Firm* — Nath, Goldberg & Meyer

(57) **CLAIM**

The ornamental design for a camcorder, as shown and described.

**DESCRIPTION**

FIG. 1 is front, top and right side perspective view of a camcorder showing my new design;  
FIG. 2 is a rear, top and left side perspective view thereof;  
FIG. 3 is a front elevational view thereof;  
FIG. 4 is a rear elevational view thereof  
FIG. 5 is a left side elevational view thereof;  
FIG. 6 is a right side elevational view thereof;  
FIG. 7 is a top plan view thereof; and,  
FIG. 8 is a bottom plan view thereof.

The portions of camcorder in broken lines are for illustrative purposes only and form no part of the claimed design.

**1 Claim, 7 Drawing Sheets**

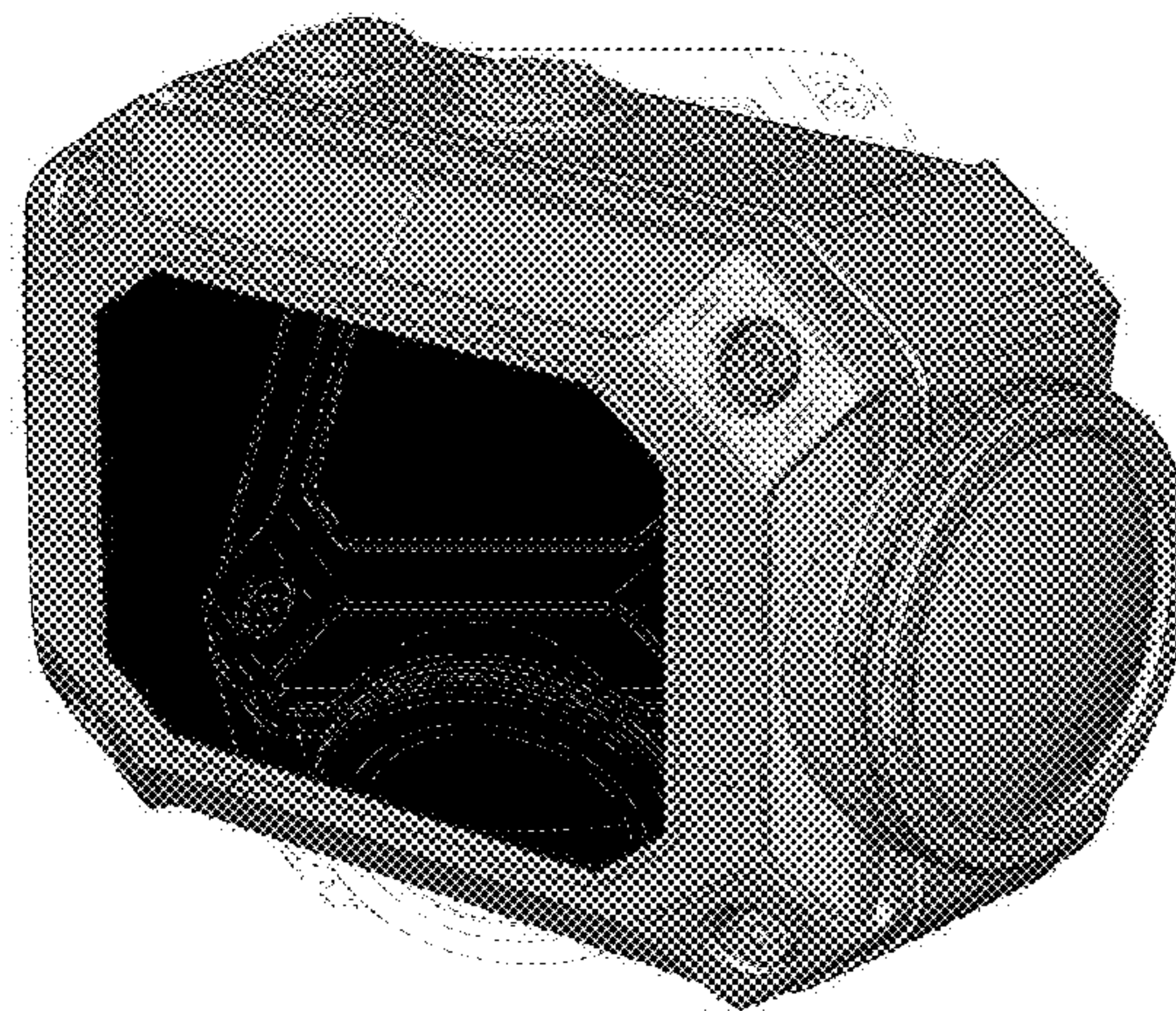
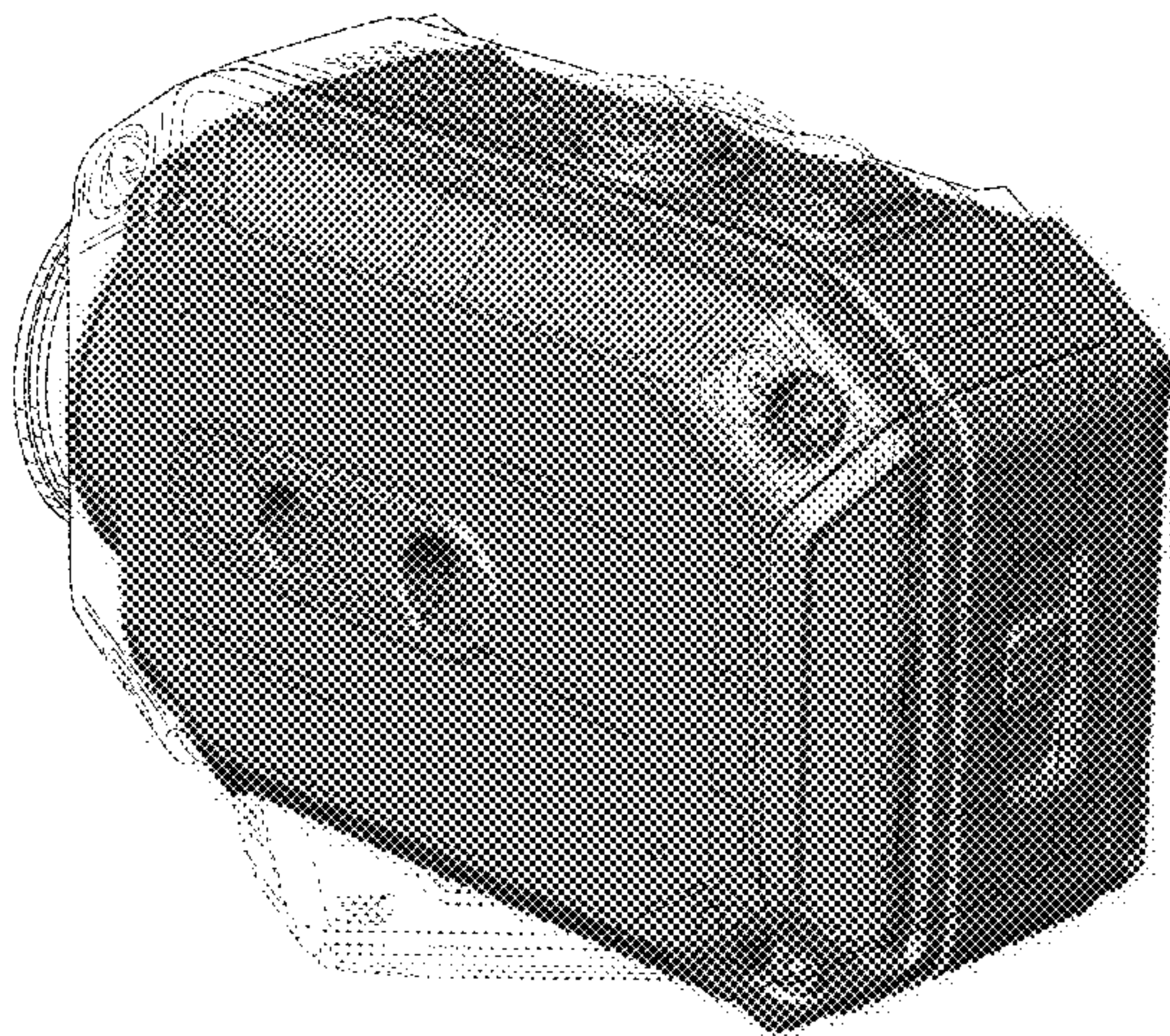




Fig. 1

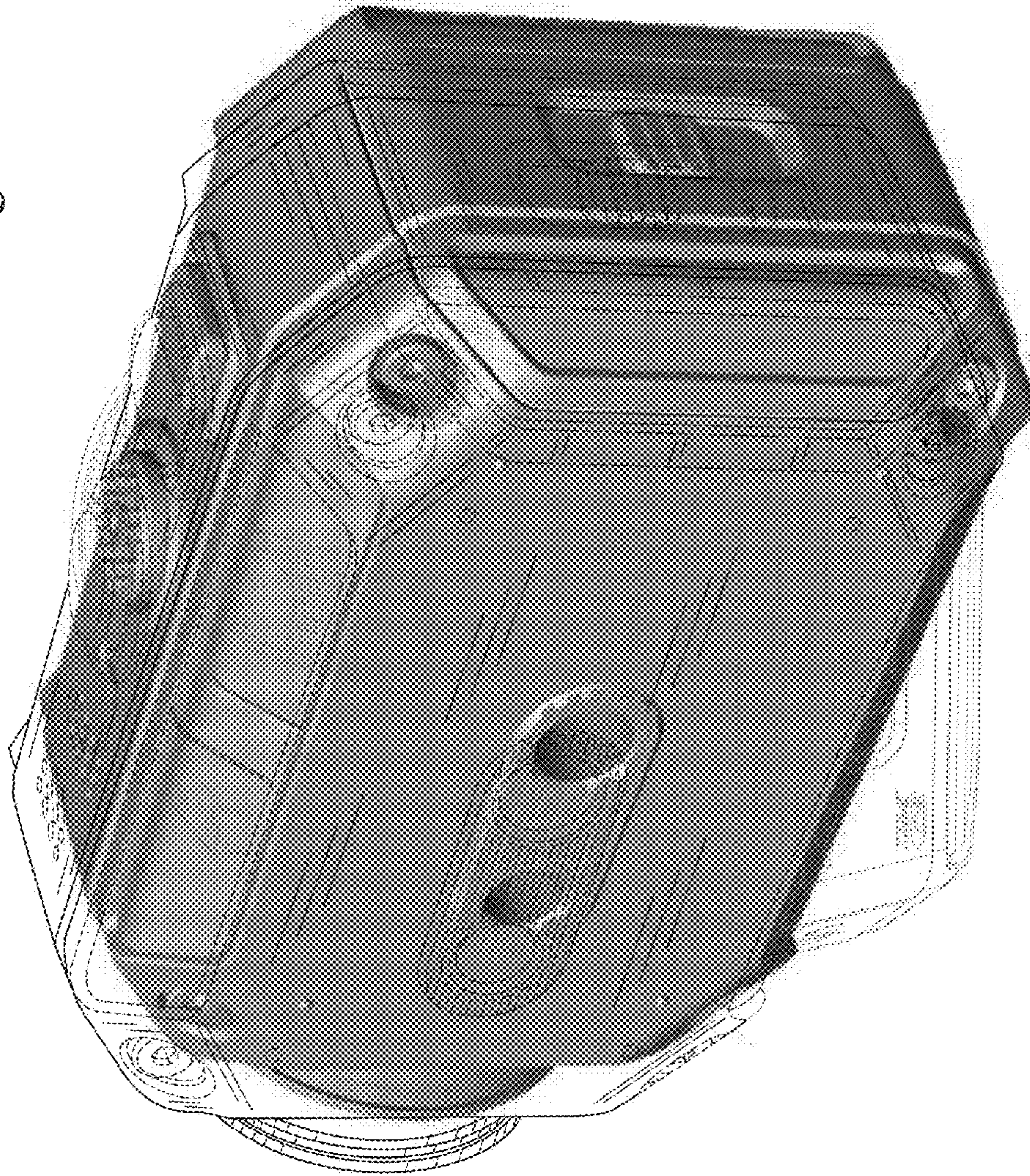
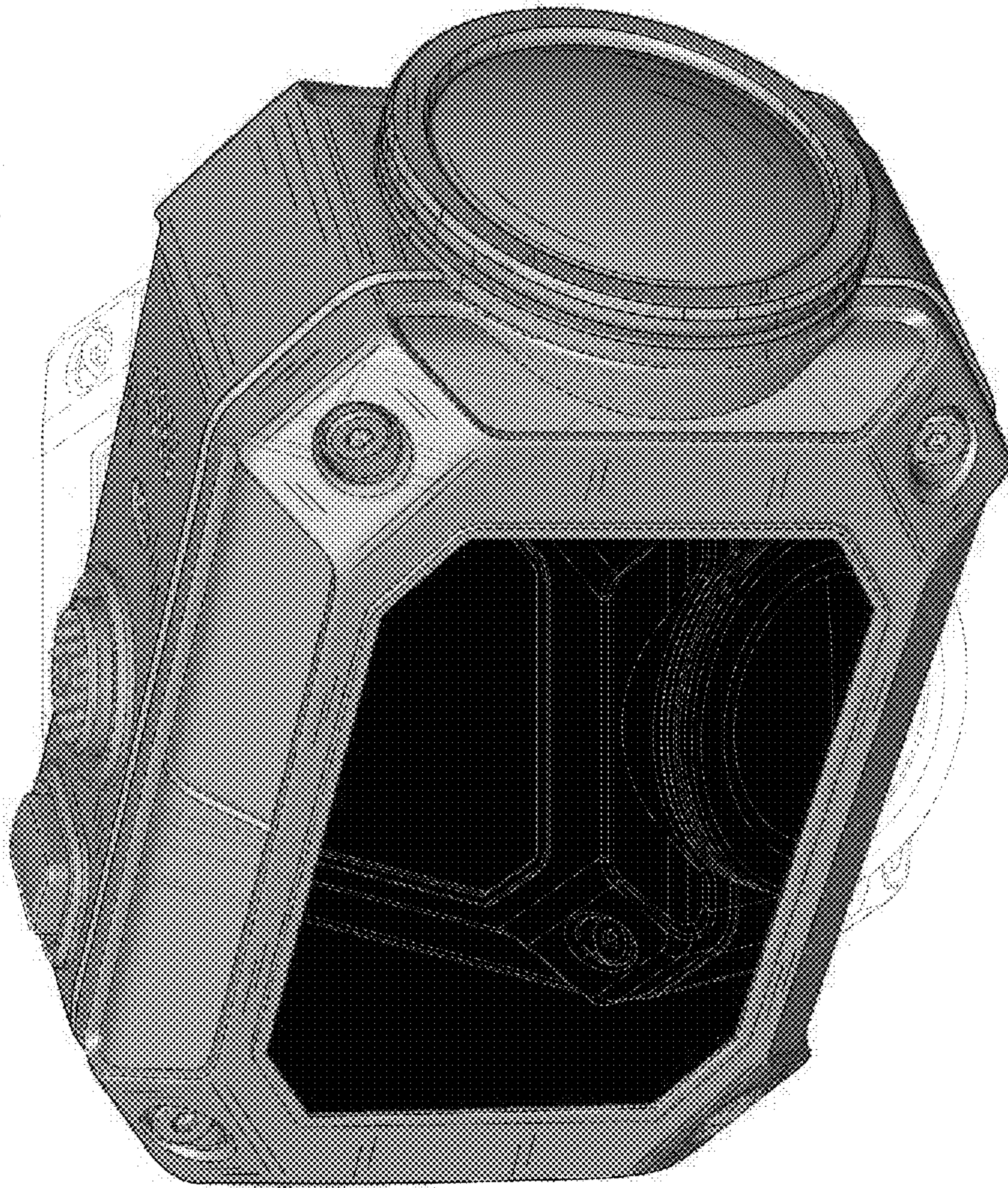




Fig.2





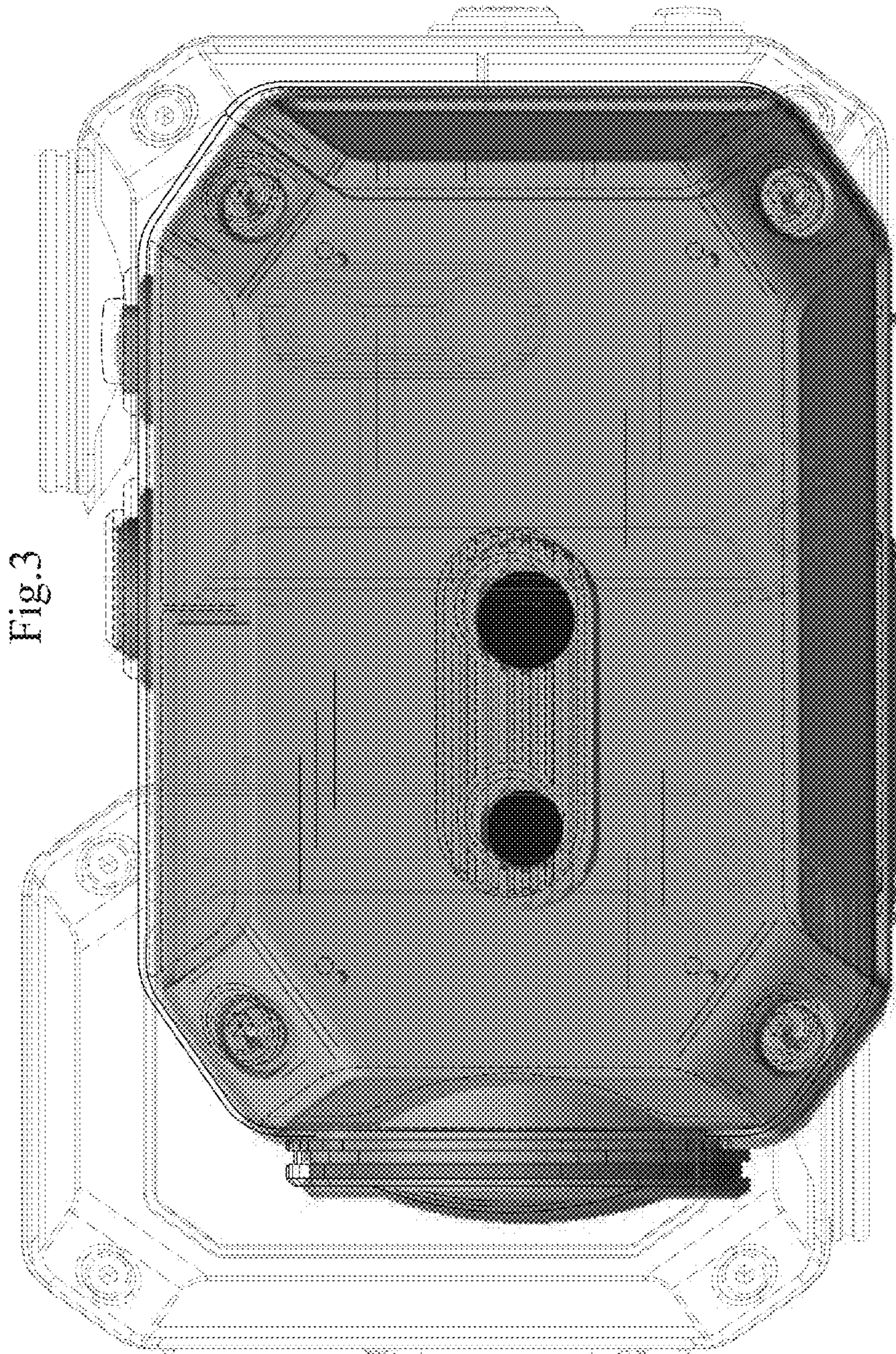


Fig. 3



Fig.4

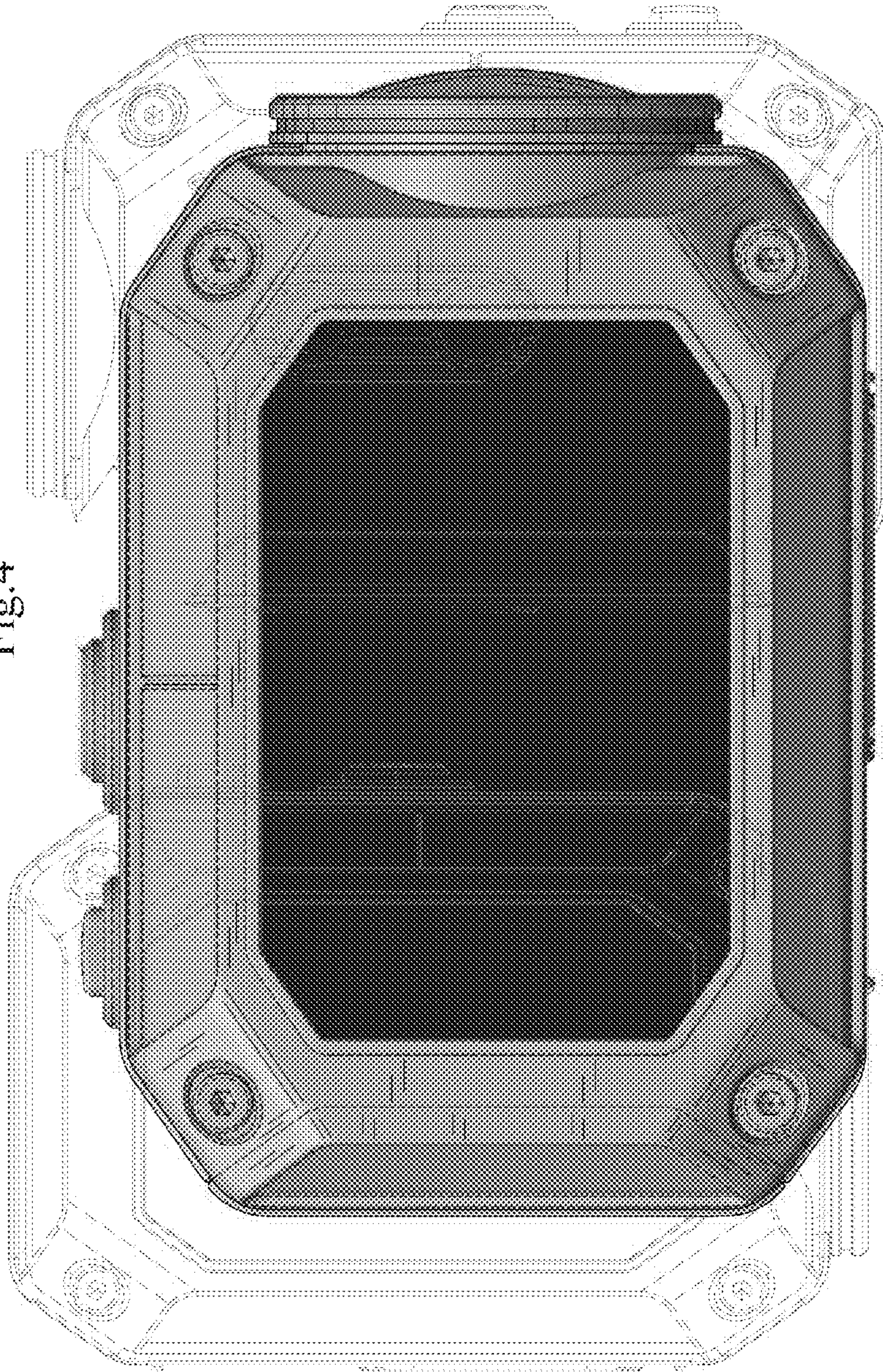




Fig.6

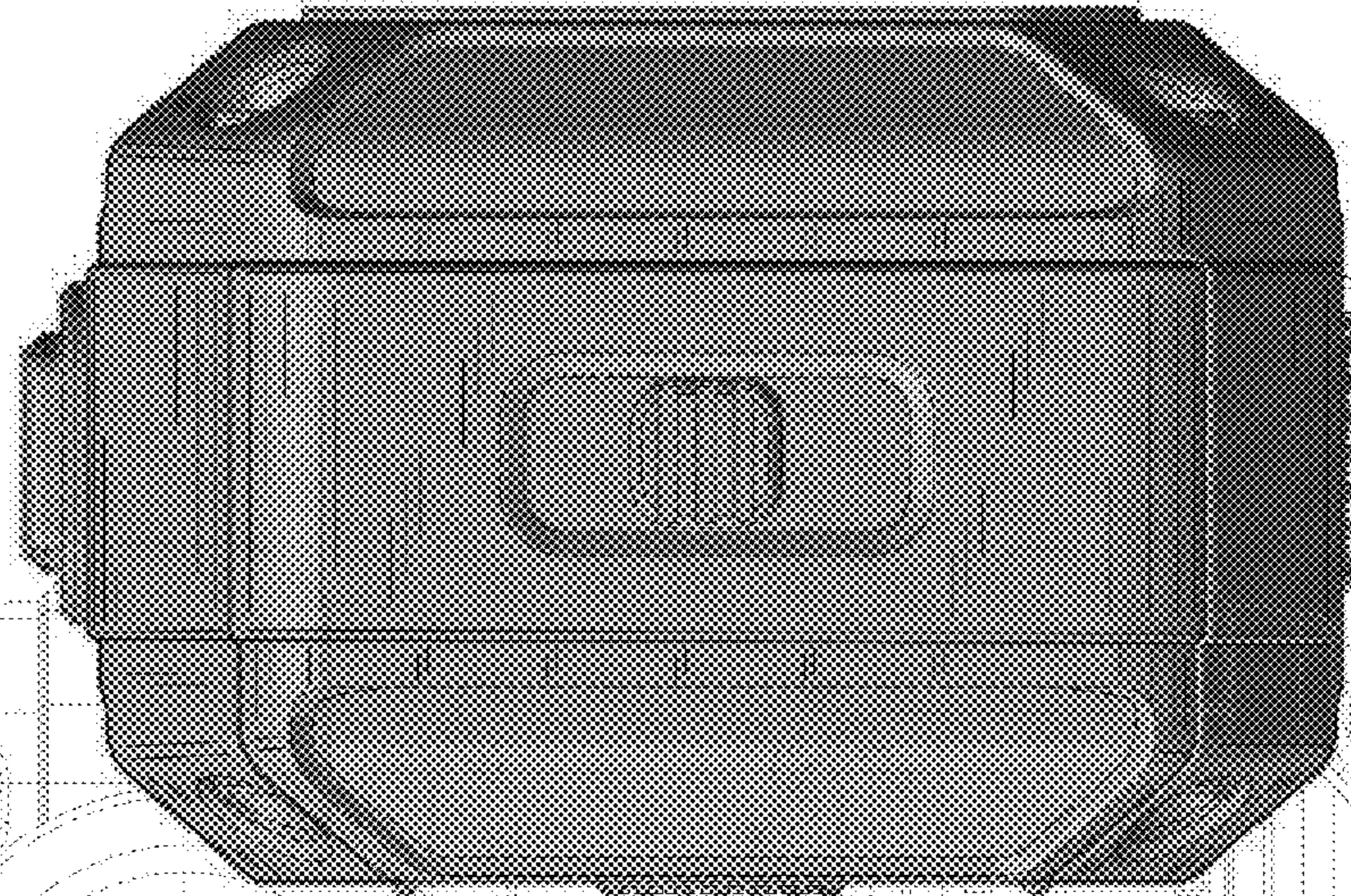
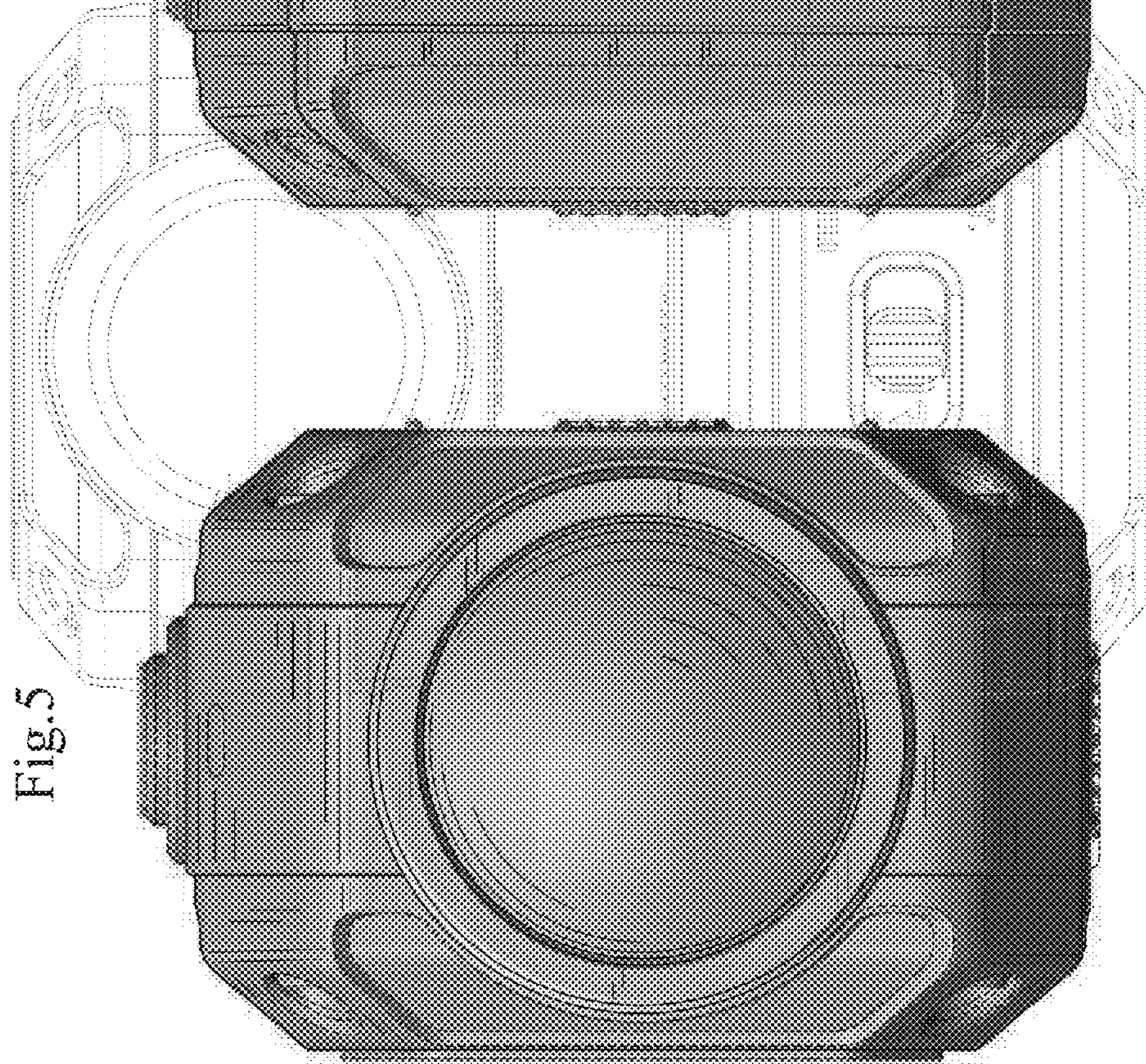


Fig.5





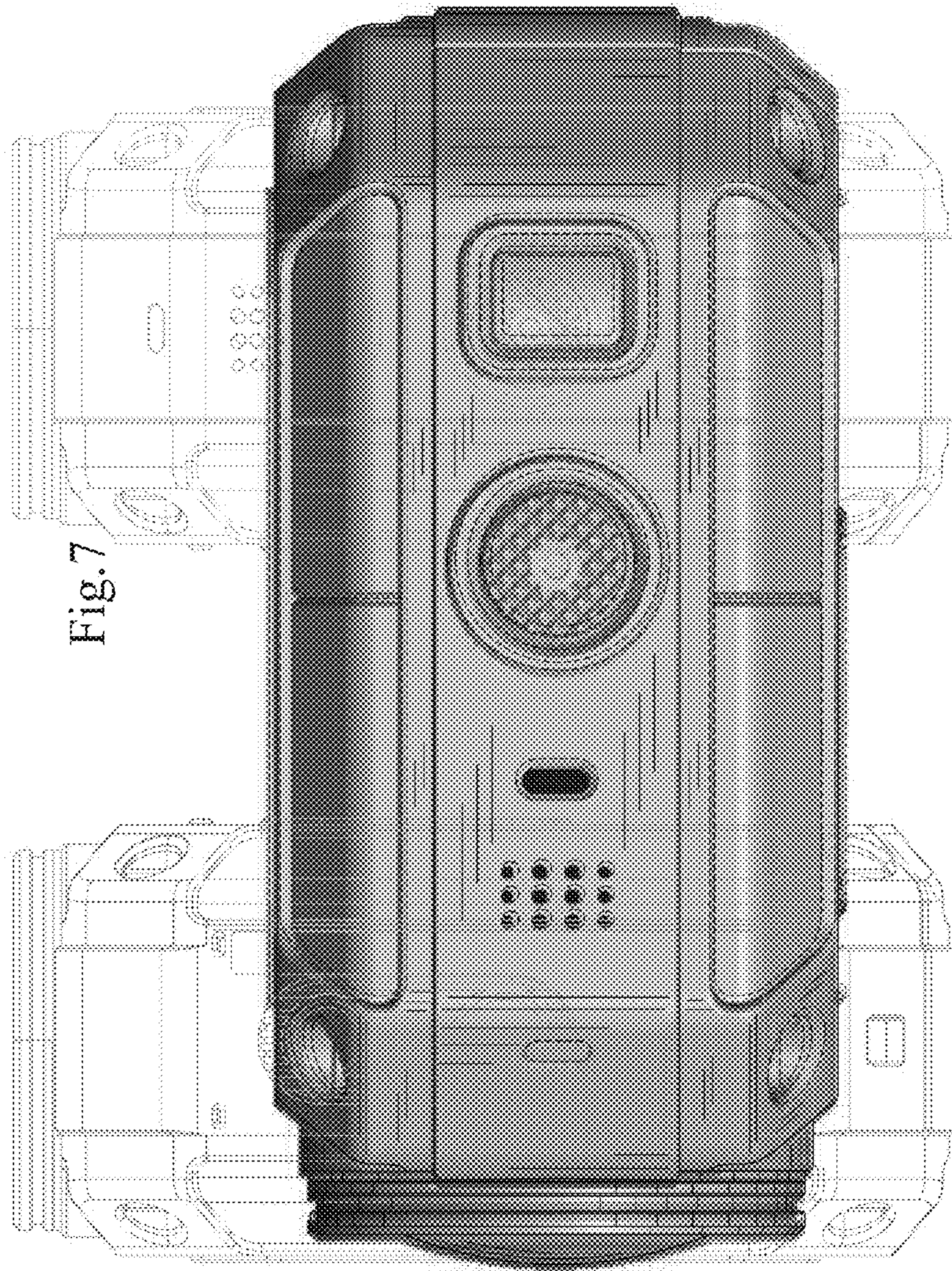


Fig. 7



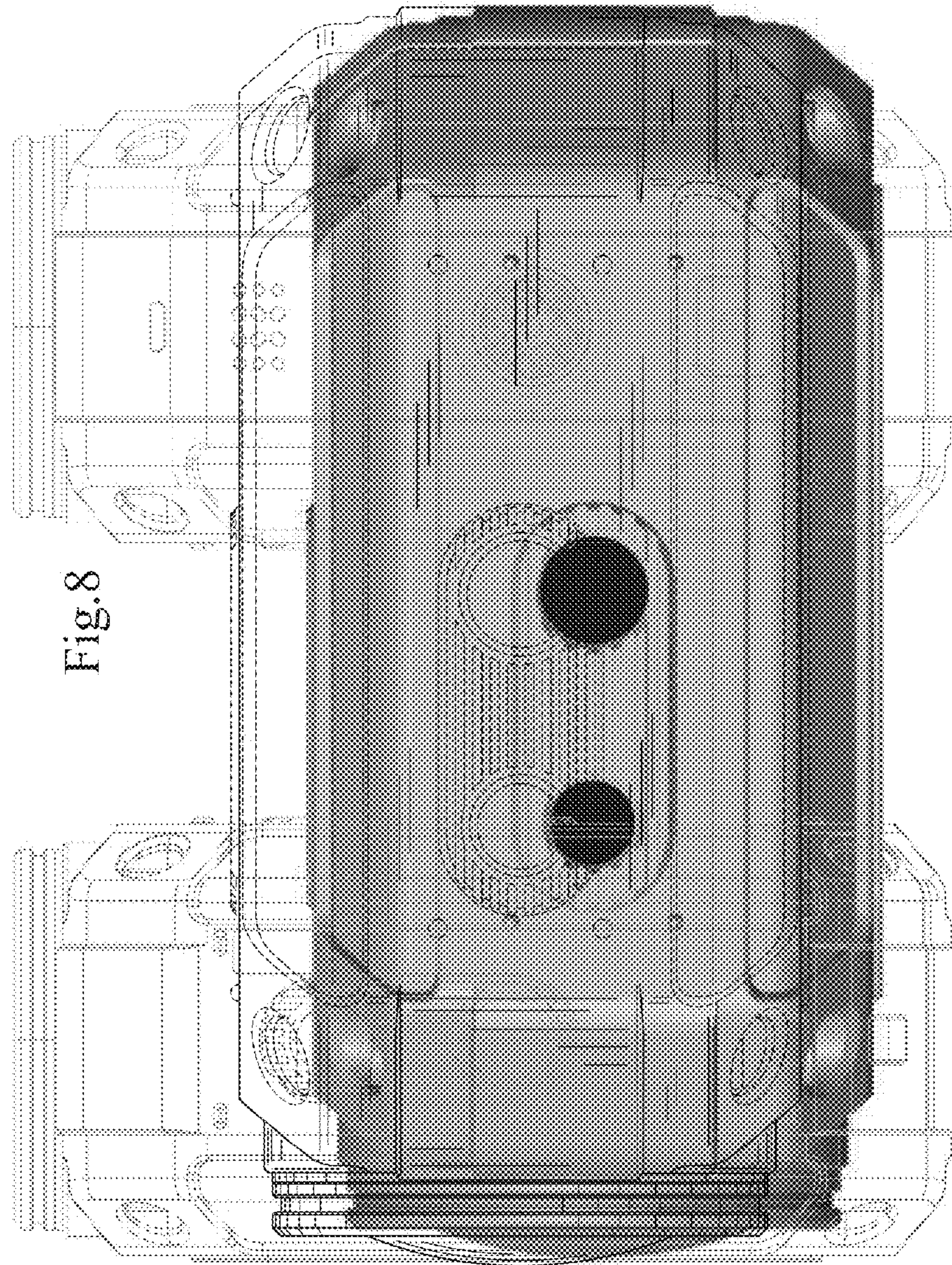


Fig. 8



UNITED STATES PATENT AND TRADEMARK OFFICE  
**CERTIFICATE OF CORRECTION**

PATENT NO. : D687,875 S  
APPLICATION NO. : 29/425151  
DATED : August 13, 2013  
INVENTOR(S) : Sasaki

Page 1 of 9

It is certified that error appears in the above-identified patent and that said Letters Patent is hereby corrected as shown below:

Title page, illustrative figs 1 and 2 should be deleted and substitute therefore the attached title page consisting of illustrative figs 1 and 2.

In the Drawings

Fig(s) 1-8 should be deleted and substitute therefore the attached figure(s) 1-8 as shown on the attached sheets 1-7 of 7, pages 3-9.

Signed and Sealed this  
Second Day of September, 2014



Michelle K. Lee  
*Deputy Director of the United States Patent and Trademark Office*



(12) **United States Design Patent**  
**Sasaki**

(10) **Patent No.:** **US D687,875 S**  
 (45) **Date of Patent:** **\*\* Aug. 13, 2013**

(54) **CAMCORDER**

(75) **Inventor:** **Yuzuko Sasaki, Tokyo (JP)**

(73) **Assignee:** **JVC Kenwood Corporation,**  
**Yokohama-shi, Kanagawa (JP)**

(\*\*) **Term:** **14 Years**

(21) **Appl. No.:** **29/425,151**

(22) **Filed:** **Jun. 20, 2012**

(30) **Foreign Application Priority Data**

Dec. 21, 2011 (JP) ..... D2011-029619

(51) **LOC (9) Cl.** ..... **16-01**

(52) **U.S. Cl.**  
**USPC** ..... **D16/202**

(58) **Field of Classification Search**  
**USPC** ..... **D16/200-205, 208, 218; 348/373-376;**  
**358/906; 396/535-541**  
**See application file for complete search history.**

(56) **References Cited**

**U.S. PATENT DOCUMENTS**

5,499,052 A \* 3/1996 Nakanishi et al. .... 348/373  
 D500,776 S \* 1/2005 Miyashita ..... D16/202

D520,546 S \* 5/2006 Kim' ..... D16/202  
 D521,041 S \* 5/2006 Chung et al. .... D16/202  
 D532,805 S \* 11/2006 Masano et al. .... D16/202  
 D569,407 S \* 5/2008 Narita et al. .... D16/217  
 8,040,431 B2 \* 10/2011 Okuda et al. .... 348/374  
 D664,578 S \* 7/2012 Tanifuji et al. .... D16/202

\* cited by examiner

*Primary Examiner* — Adir Aronovich

(74) *Attorney, Agent, or Firm* — Nath, Goldberg & Meyer

(57) **CLAIM**

The ornamental design for a camcorder, as shown and described.

**DESCRIPTION**

FIG. 1 is front, top and right side perspective view of a camcorder showing my new design;  
 FIG. 2 is a rear, top and left side perspective view thereof;  
 FIG. 3 is a front elevational view thereof;  
 FIG. 4 is a rear elevational view thereof;  
 FIG. 5 is a left side elevational view thereof;  
 FIG. 6 is a right side elevational view thereof;  
 FIG. 7 is a top plan view thereof; and,  
 FIG. 8 is a bottom plan view thereof.  
 The portions of camcorder in broken lines are for illustrative purposes only and form no part of the claimed design.

**1 Claim, 7 Drawing Sheets**

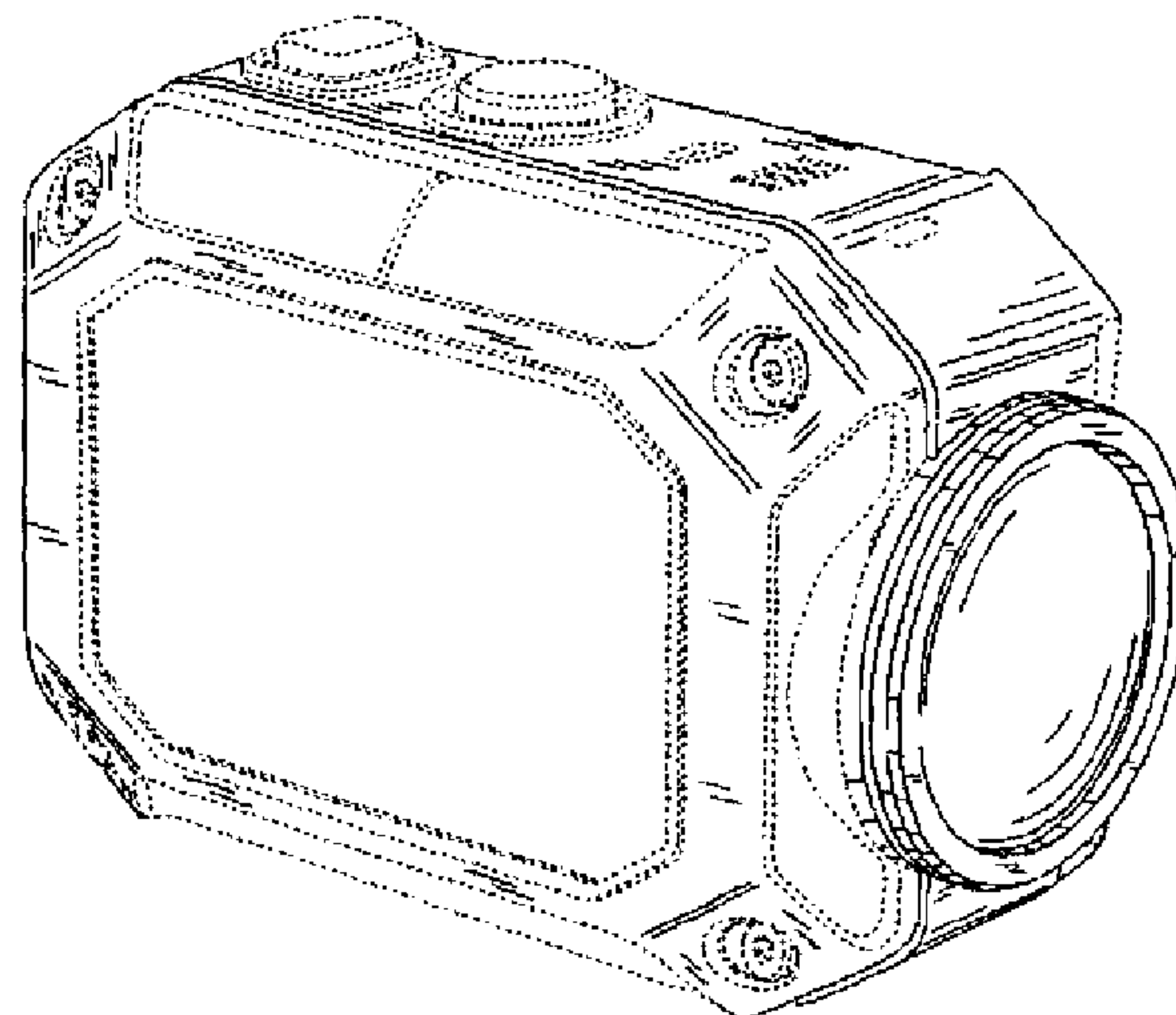
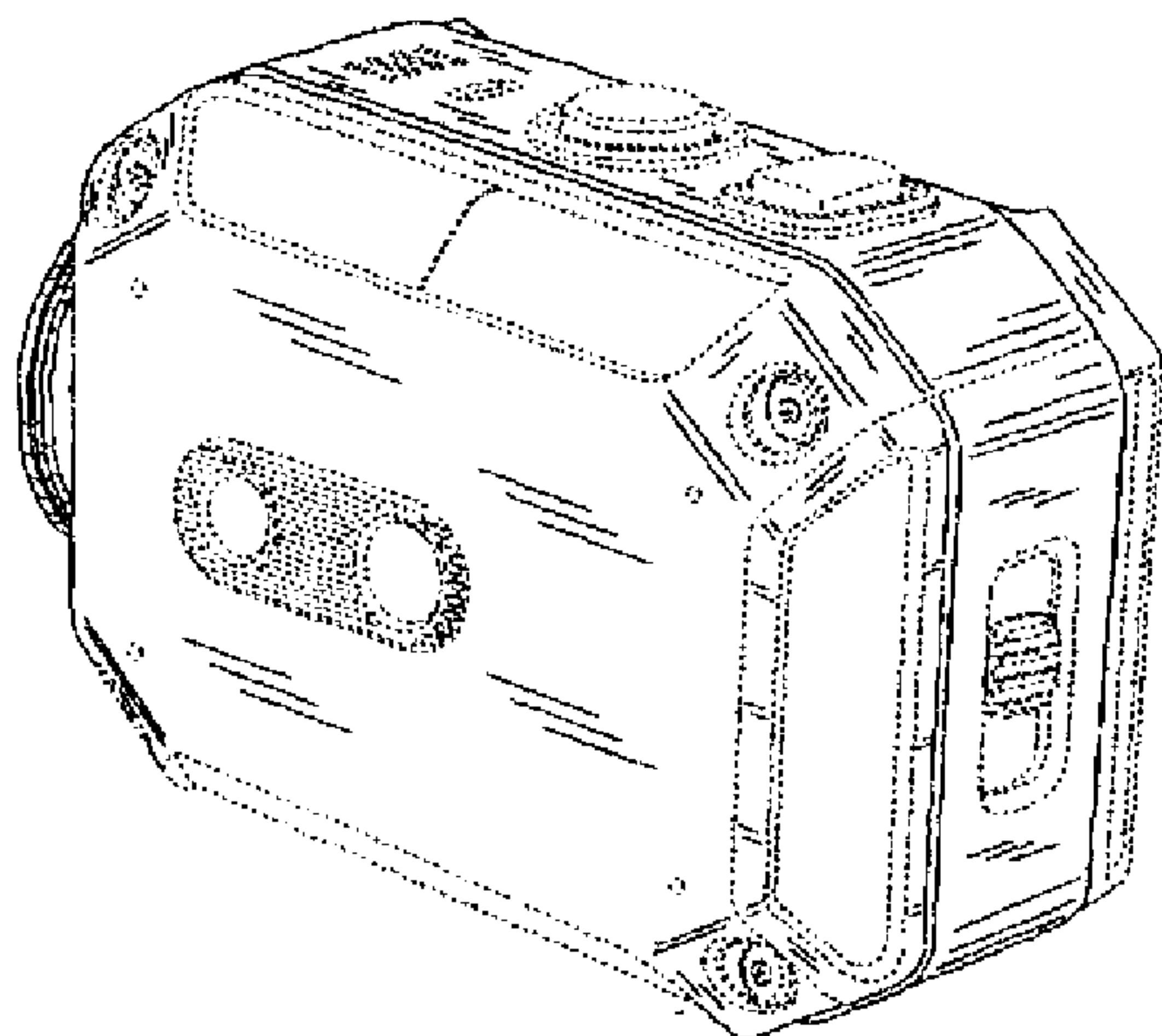




Fig.1

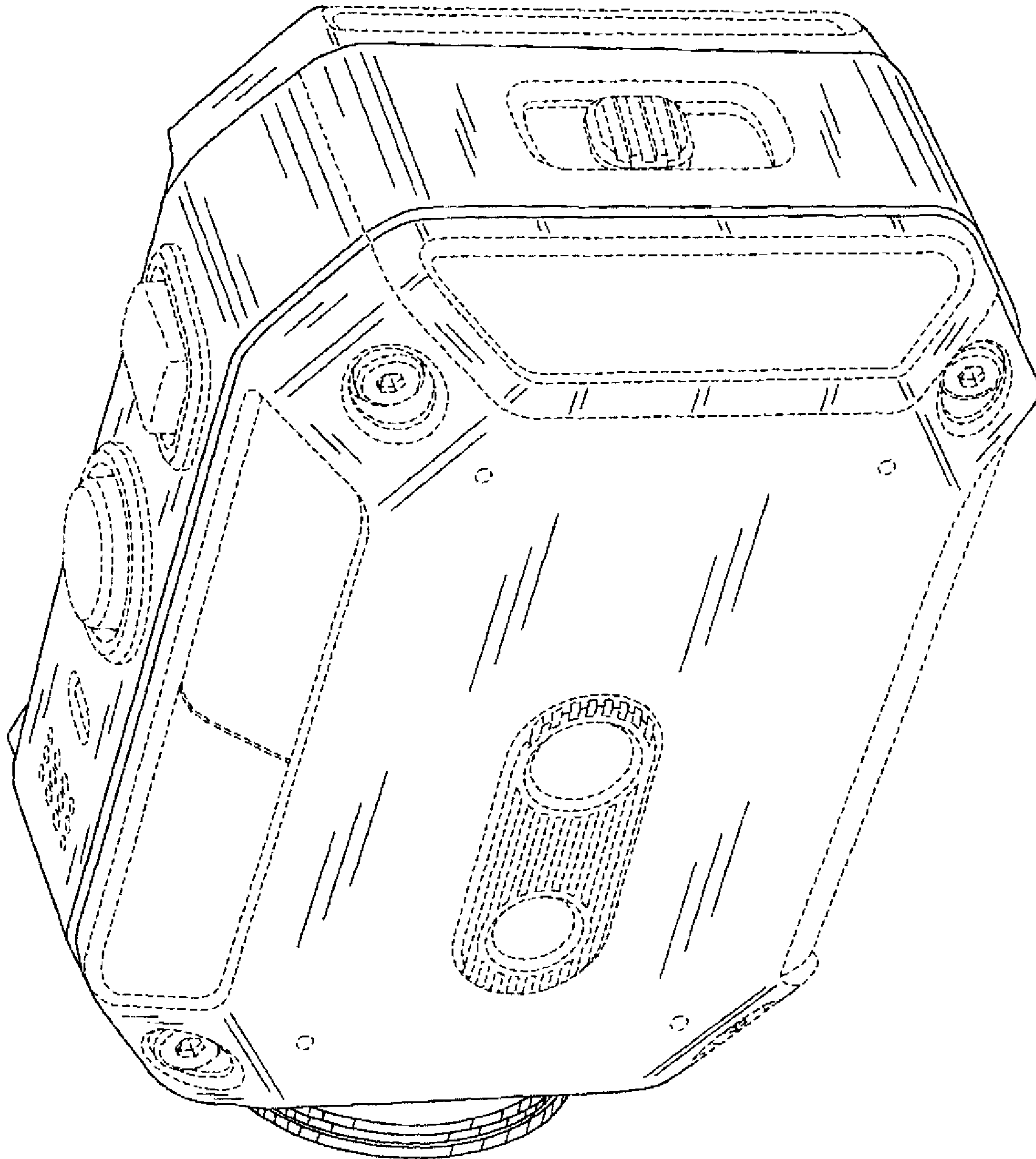




Fig.2

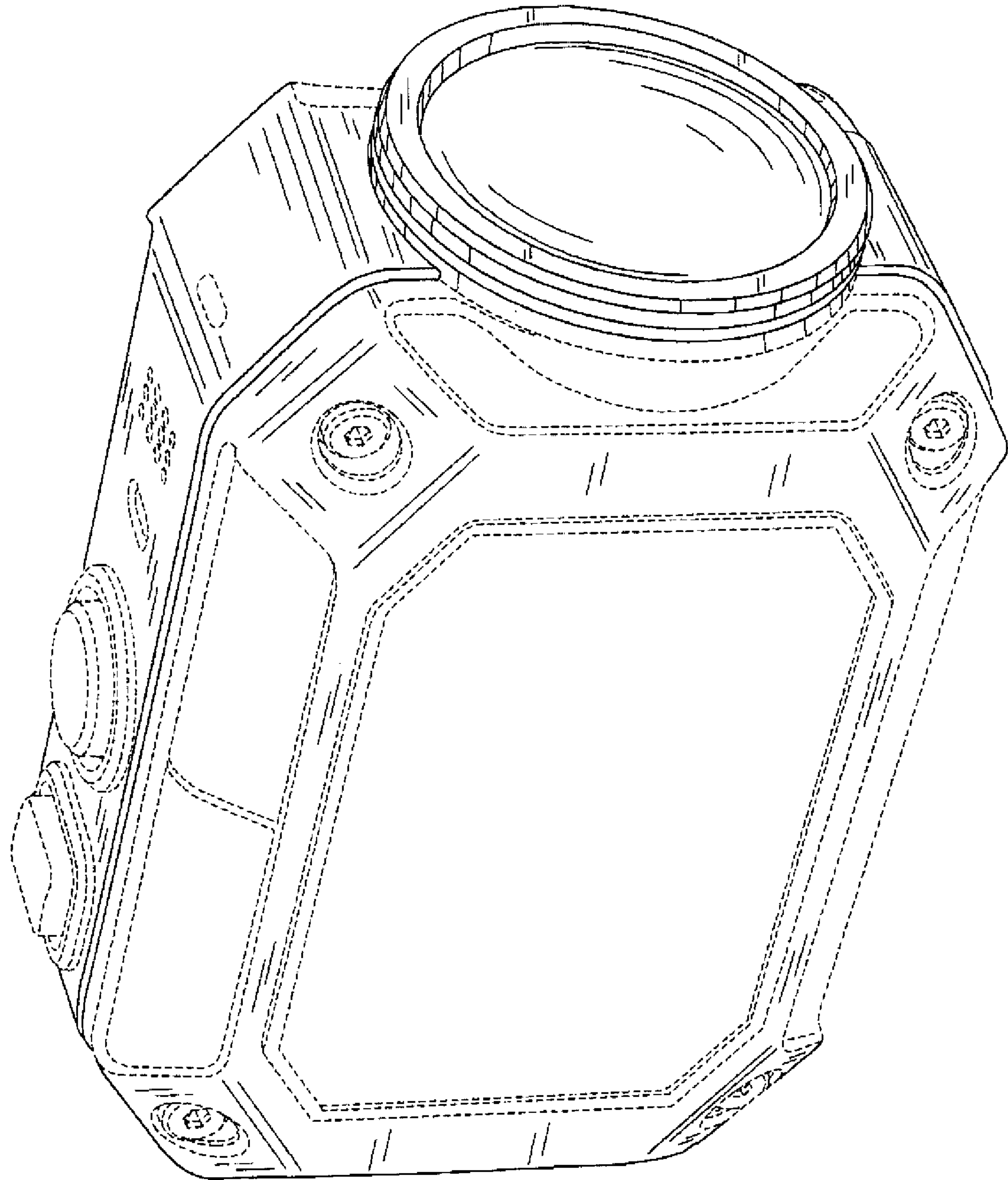




Fig.3

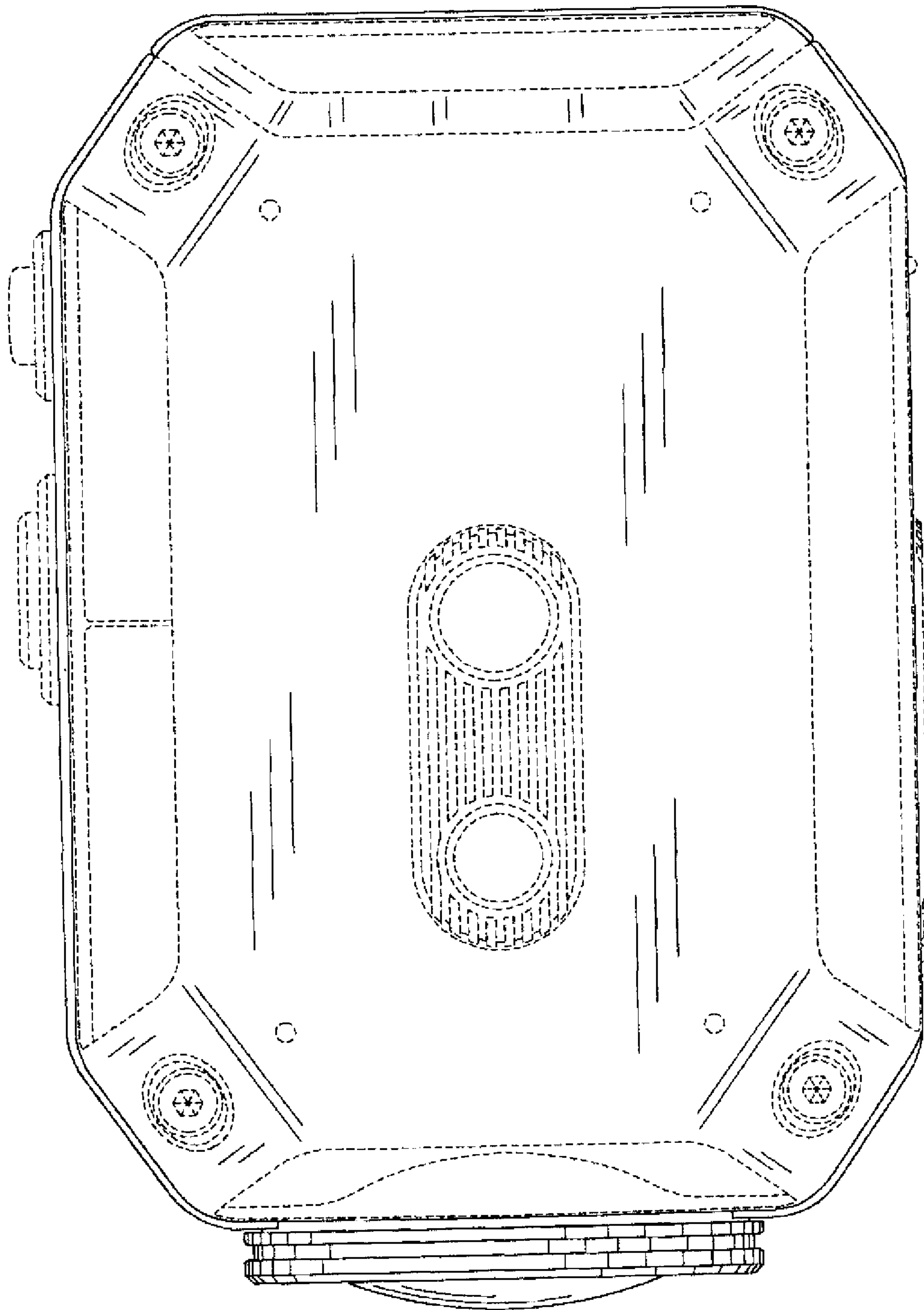




Fig.4

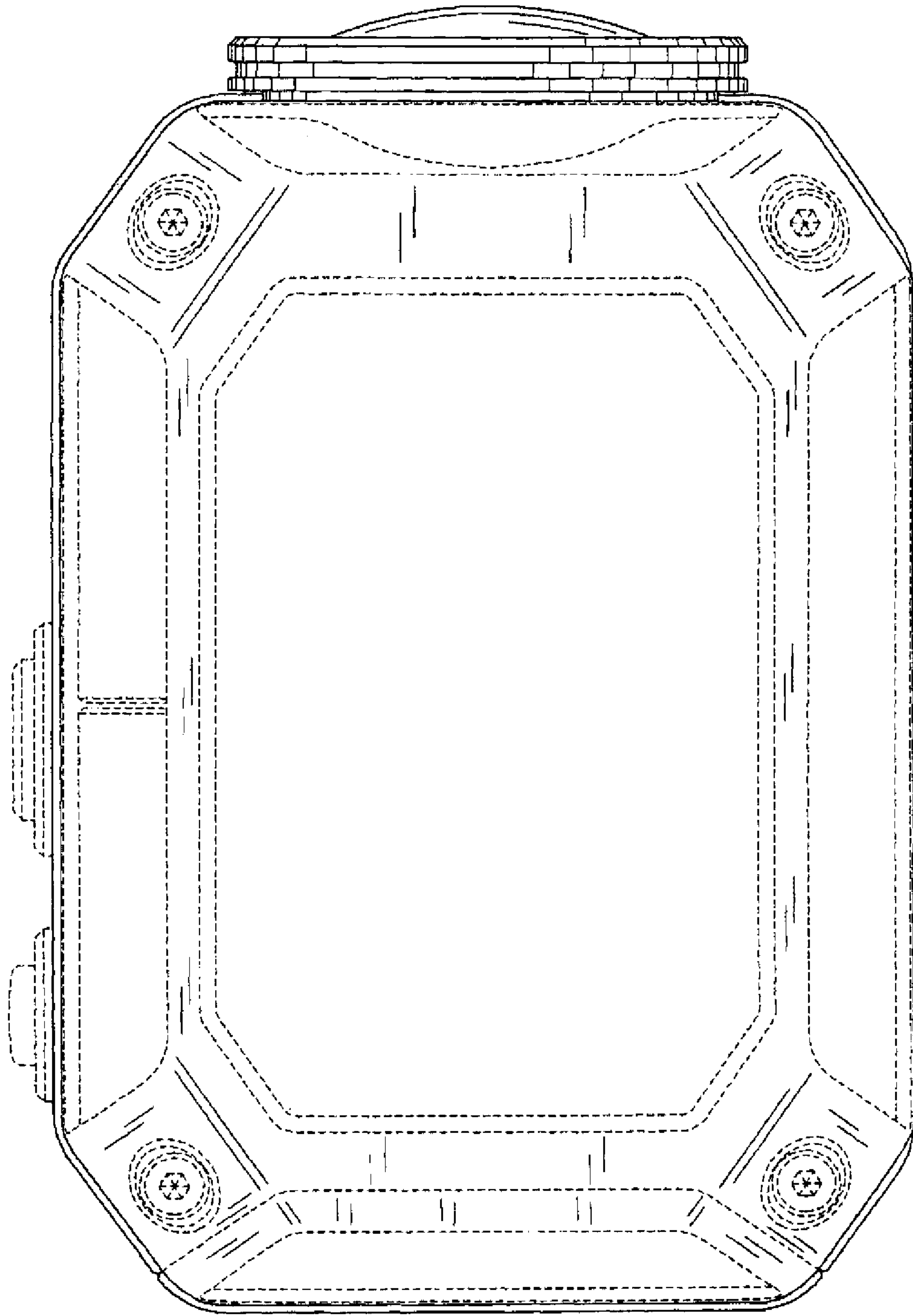




Fig.6

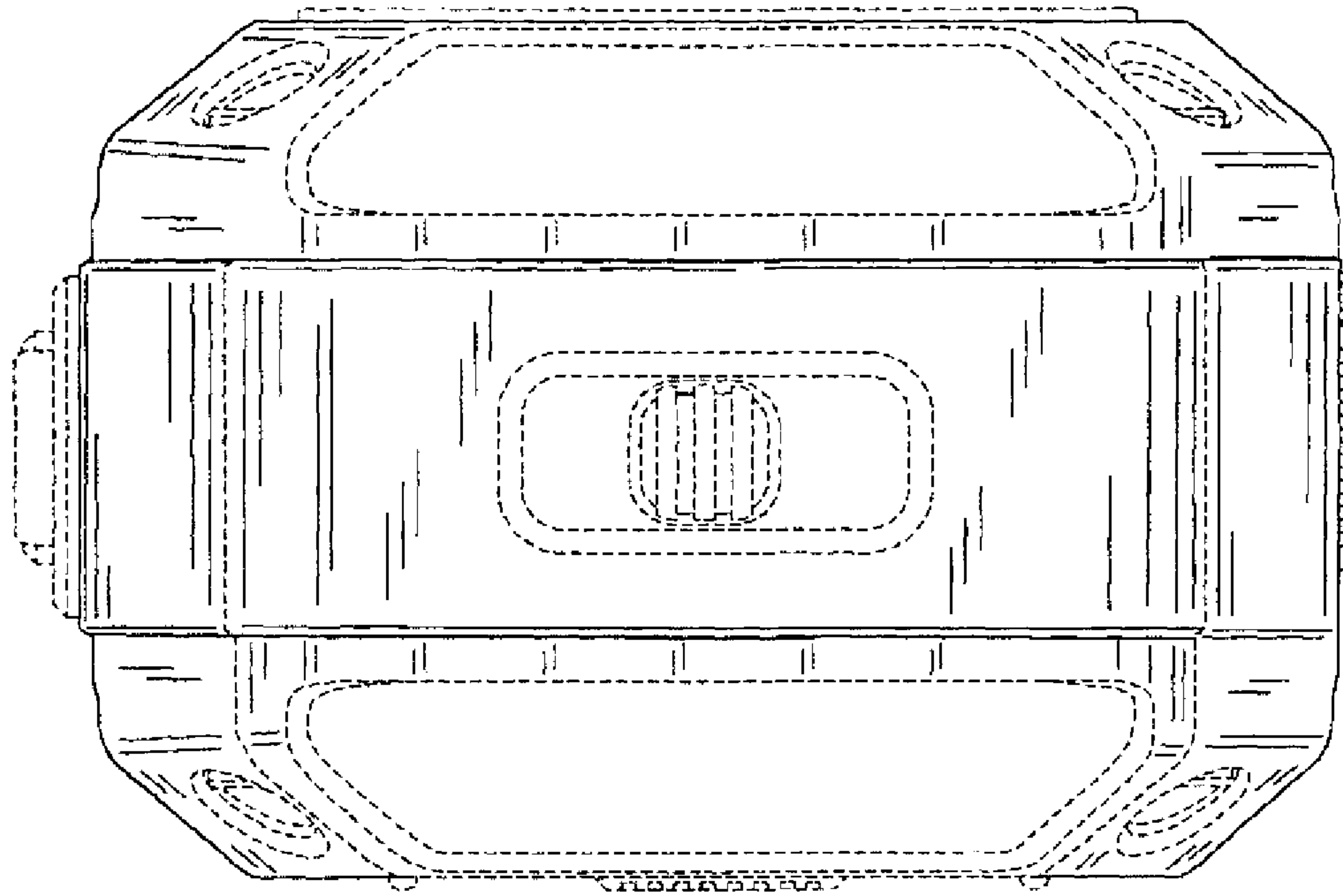


Fig.5

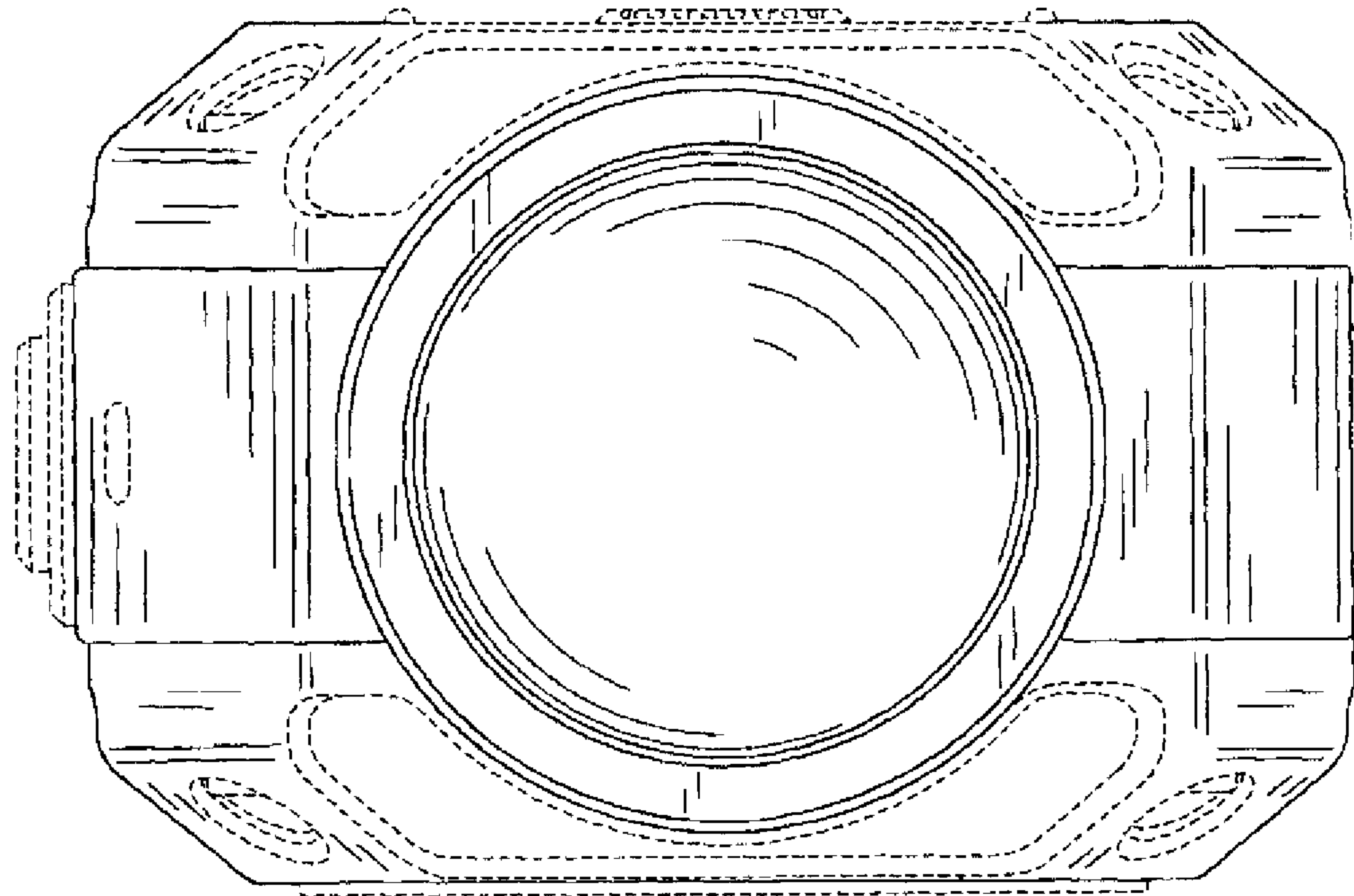




Fig.7

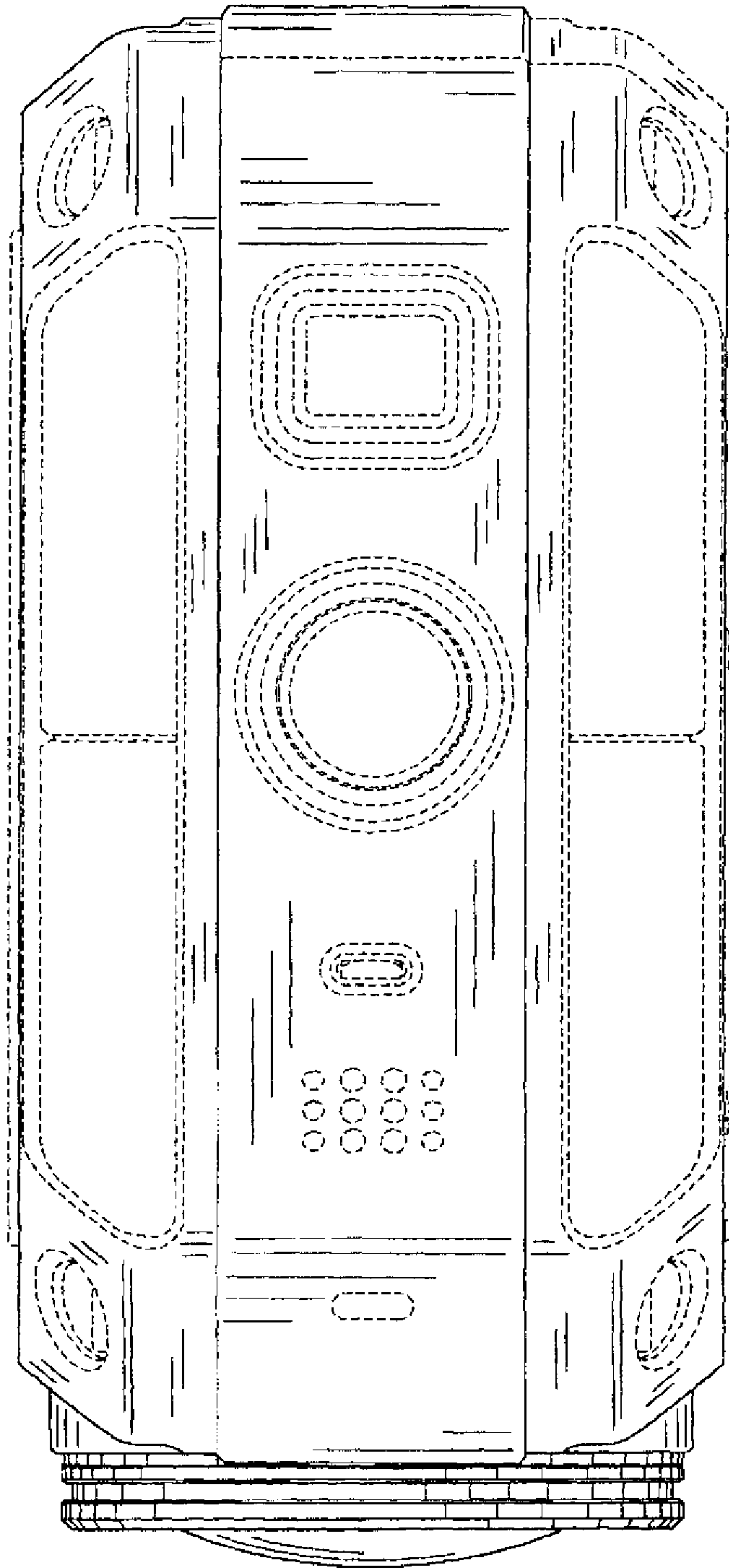




Fig. 8

