



US00D687874S

(12) **United States Design Patent**
Furujo et al.

(10) **Patent No.:** **US D687,874 S**

(45) **Date of Patent:** **** Aug. 13, 2013**

(54) **ELECTRODE FOR PLASMA TORCH**

(75) Inventors: **Akira Furujo**, Tokyo (JP); **Masatoshi Motoyama**, Tokyo (JP); **Ryuta Hirai**, Tokyo (JP); **Kazuya Kashimata**, Isezaki (JP); **Tetsuo Koike**, Tokyo (JP)

(73) Assignee: **Koike Sanso Kogyo Co., Ltd.**, Nishikoiwa (JP)

(**) Term: **14 Years**

(21) Appl. No.: **29/375,811**

(22) Filed: **Sep. 28, 2010**

(51) **LOC (9) Cl.** **15-09**

(52) **U.S. Cl.**
USPC **D15/144.2**

(58) **Field of Classification Search**
USPC D8/373; D15/139, 144–144.2; D23/223, D23/263, 373; 219/121.44–121.5; 313/231.31
See application file for complete search history.

(56) **References Cited**

U.S. PATENT DOCUMENTS

5,798,496	A *	8/1998	Eckhoff et al.	219/121.36
5,856,647	A *	1/1999	Luo	219/121.5
D505,963	S *	6/2005	Conway et al.	D15/139
D517,577	S *	3/2006	Conway et al.	D15/144
D535,672	S *	1/2007	MacKenzie et al.	D15/144
7,176,404	B2 *	2/2007	Herres	219/121.5
7,326,874	B2 *	2/2008	Brasseur et al.	219/121.5
D582,951	S *	12/2008	Yamaguchi et al.	D15/144
8,089,025	B2 *	1/2012	Sanders	219/121.5
D654,104	S *	2/2012	Fitzpatrick et al.	D15/144
2004/0000538	A1 *	1/2004	Conway et al.	219/121.48

2007/0173007	A1 *	7/2007	Lee et al.	438/209
2009/0057277	A1 *	3/2009	Renault et al.	219/121.5
2010/0237050	A1 *	9/2010	Zehavi	219/121.47
2010/0264120	A1 *	10/2010	Reinke et al.	219/121.5
2011/0198320	A1 *	8/2011	Mather et al.	219/121.48
2011/0259855	A1 *	10/2011	Yang	219/121.5

* cited by examiner

Primary Examiner — Patricia Palasik

(74) *Attorney, Agent, or Firm* — Smith Patent Office

(57) **CLAIM**

The ornamental design for an electrode for plasma torch, as shown and described.

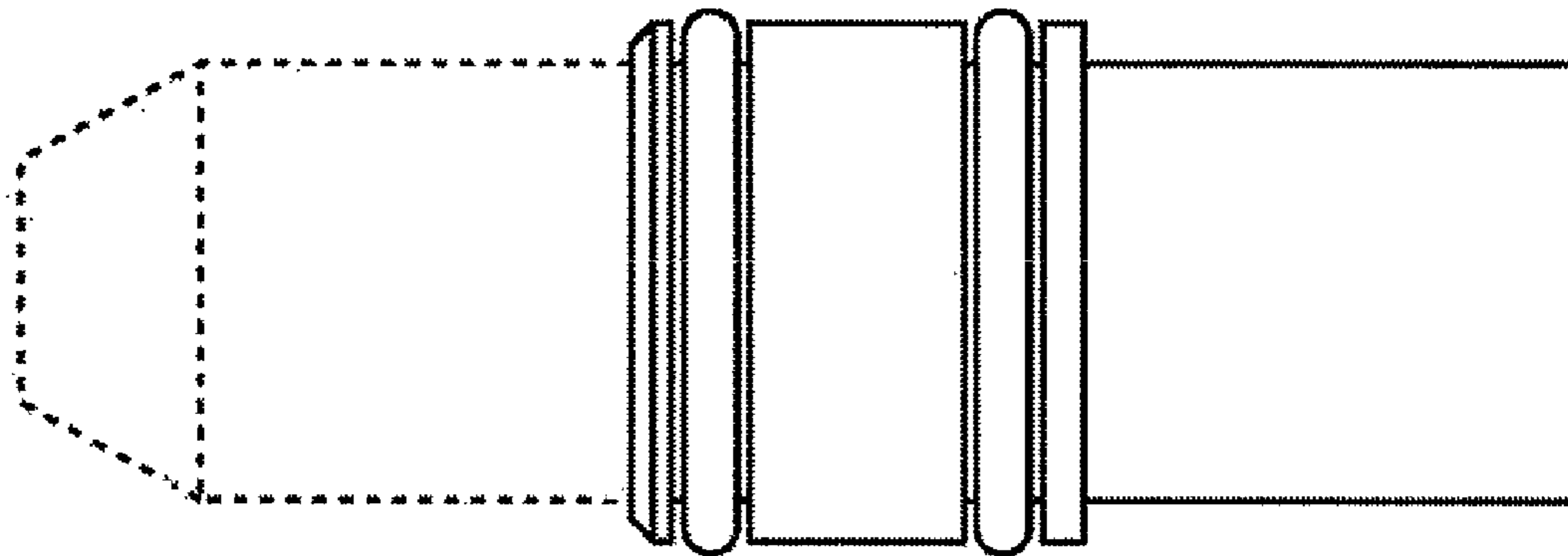
DESCRIPTION

FIG. 1 is a side view of an electrode for a plasma torch showing our design;
FIG. 2 is a front view thereof;
FIG. 3 is a rear view thereof;
FIG. 4 is a perspective view of an electrode for a plasma torch showing our design; and,
FIG. 5 is an exploded view of a plasma torch, including an inner cap therefore, inner nozzle thereof, electrode therefore, plasma torch body, and the outer nozzle for same as claimed herein, illustrating the position of the outer nozzle relative to same. The claimed design is shown in solid lines and the other elements are shown in broken lines.

The claimed article is an electrode used with a plasma torch for high temperature cutting applications, such as the cutting of metal.

The broken lines in the drawings depict unclaimed environmental subject matter.

1 Claim, 5 Drawing Sheets



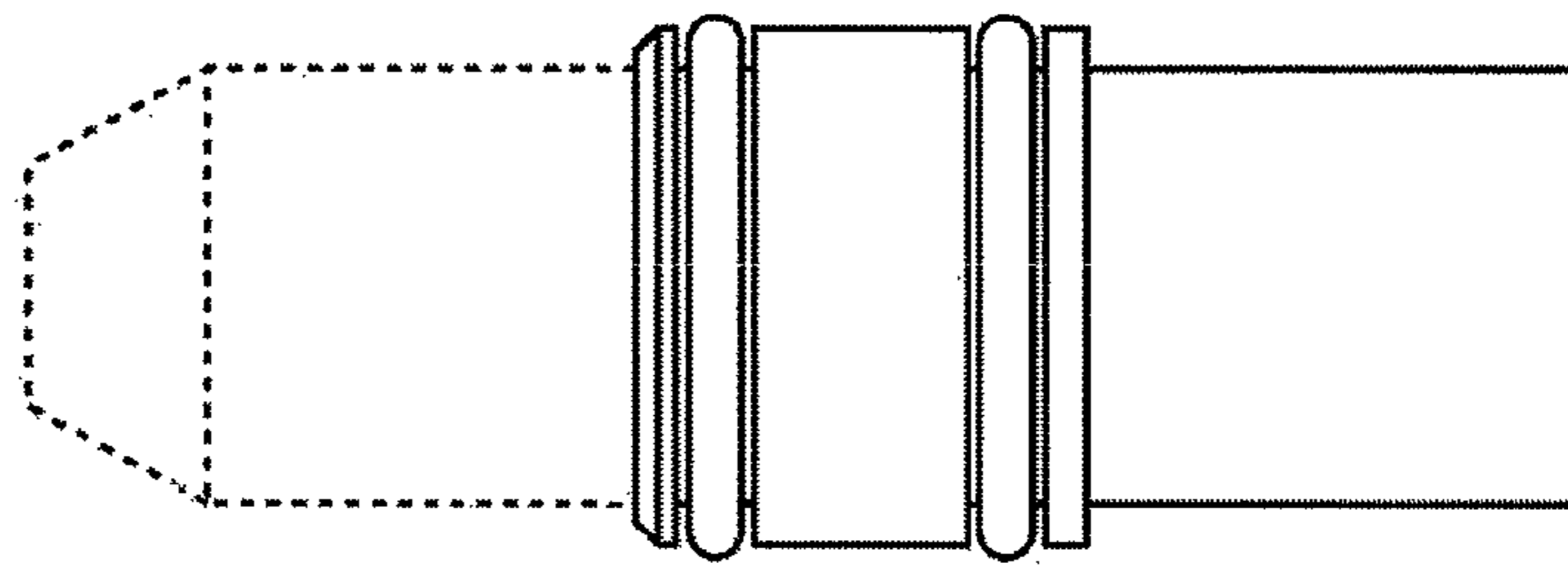


FIG. 1

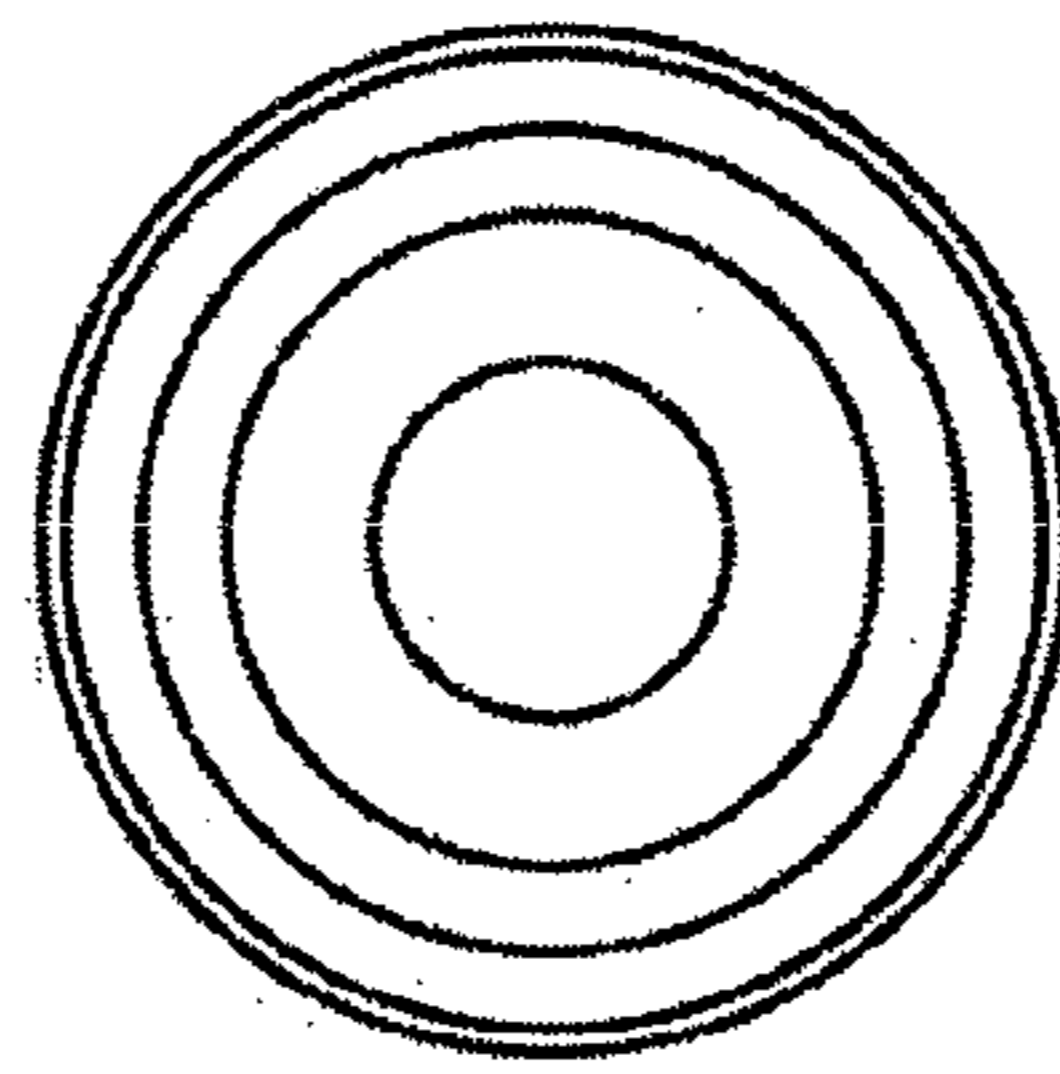


FIG.2

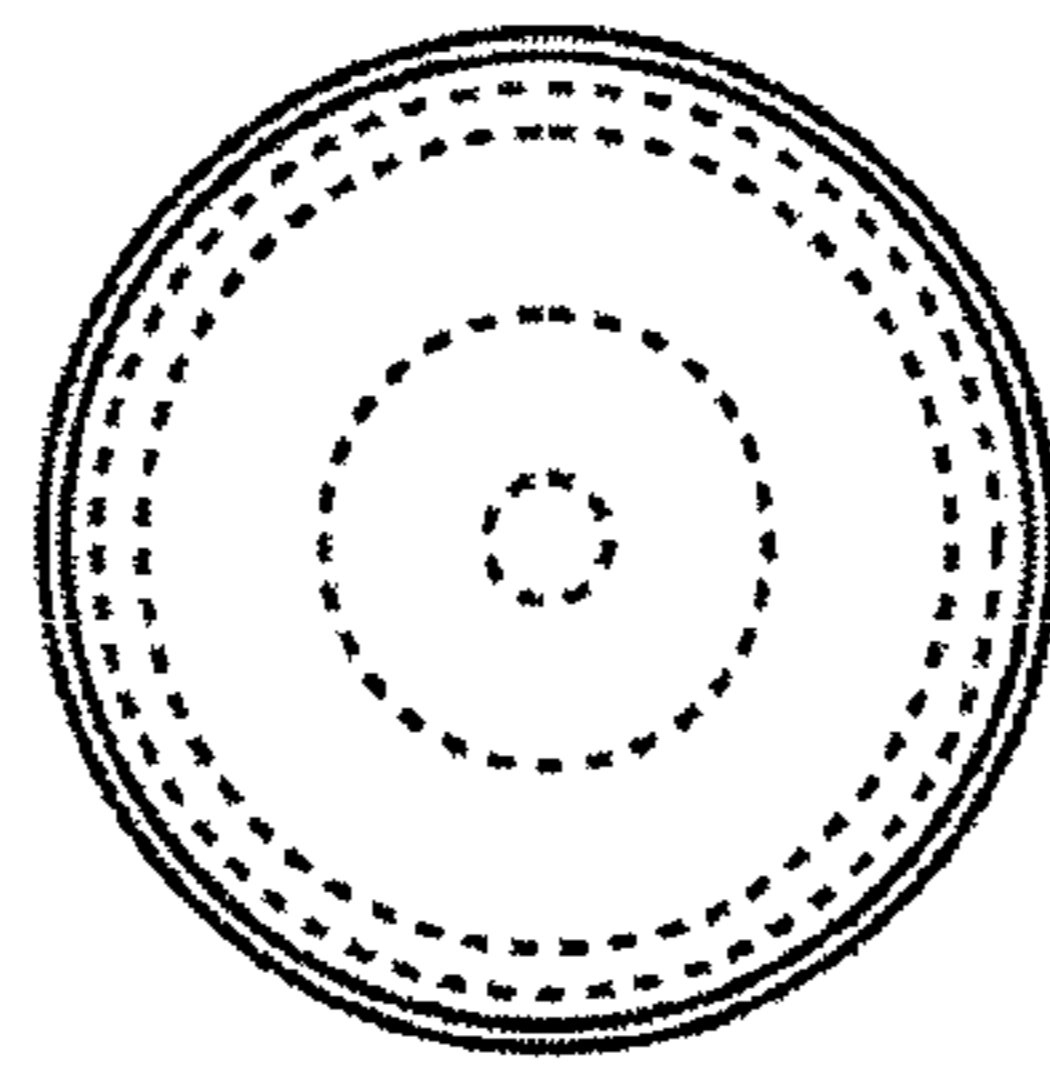


FIG.3

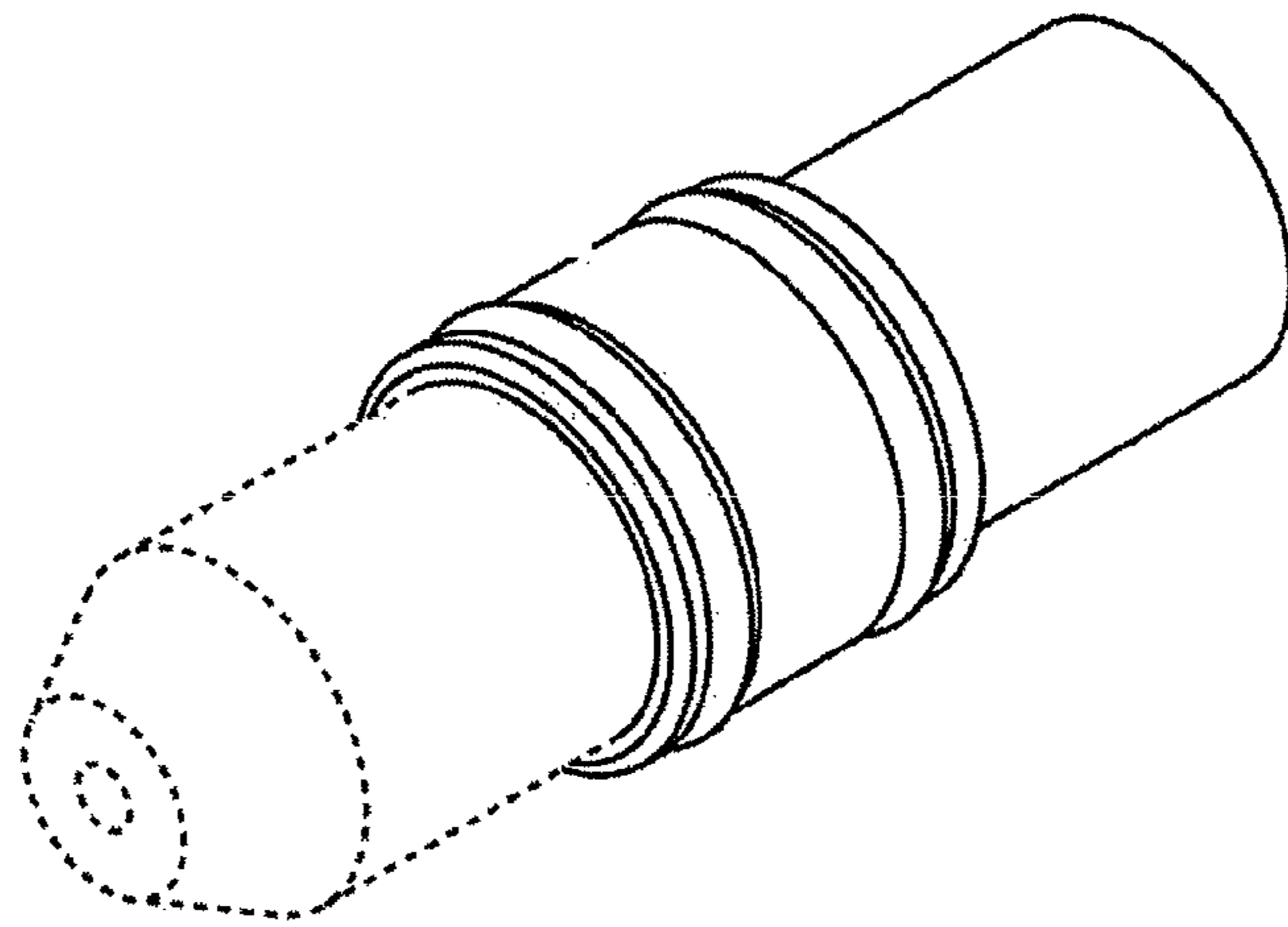


FIG.4

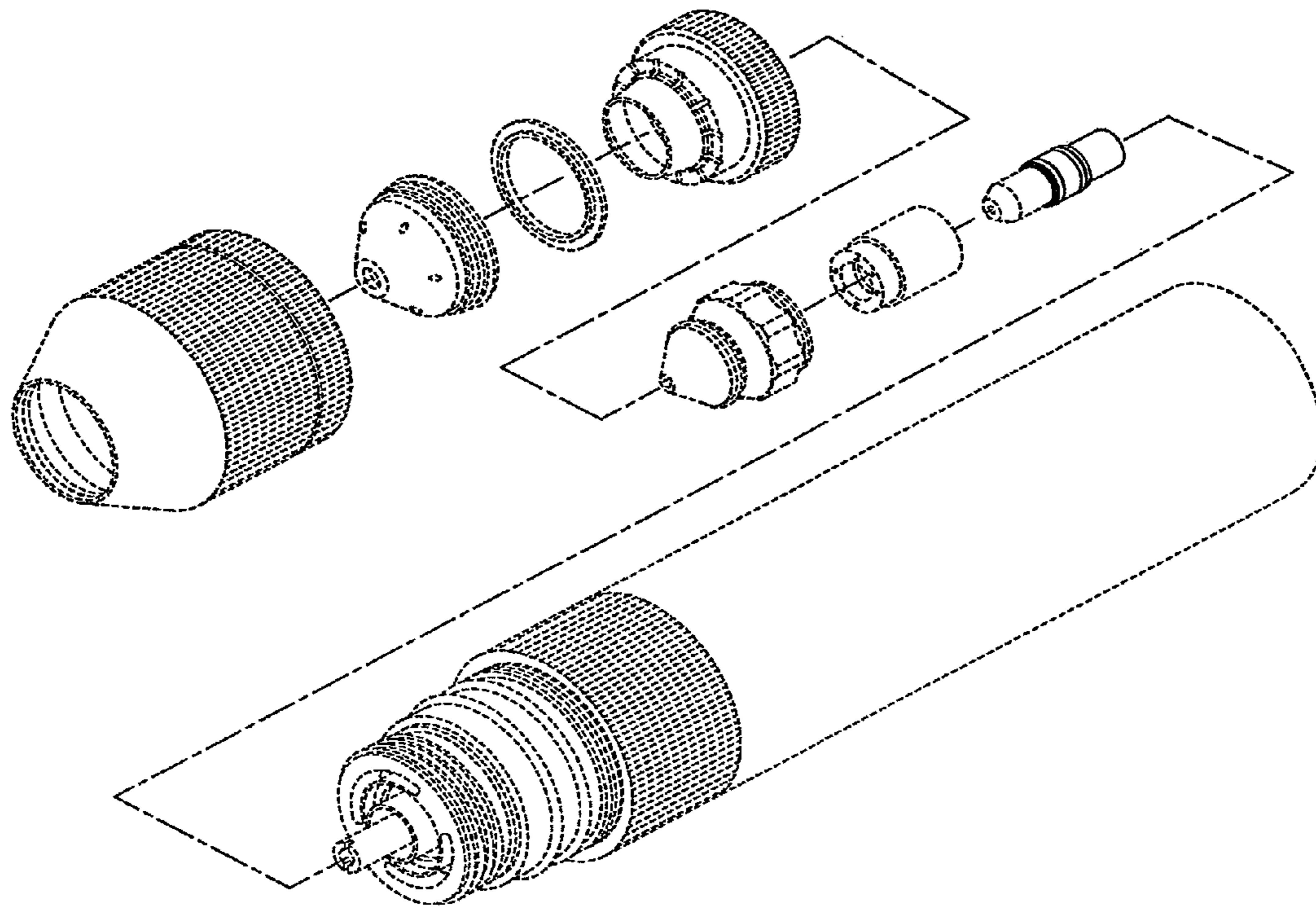


FIG. 5