



US00D687869S

(12) **United States Design Patent**
Hattori

(10) **Patent No.:** **US D687,869 S**

(45) **Date of Patent:** **** Aug. 13, 2013**

(54) **SEWING MACHINE**

D594,481 S * 6/2009 Inada D15/69

(75) Inventor: **Mitsuharu Hattori**, Nagoya (JP)

* cited by examiner

(73) Assignee: **Brother Industries, Ltd.**, Nagoya (JP)

Primary Examiner — Mitchell Siegel

(**) Term: **14 Years**

(74) *Attorney, Agent, or Firm* — Oliff & Berridge, PLC

(21) Appl. No.: **29/425,411**

(57) **CLAIM**

The ornamental design for a sewing machine, as shown and described.

(22) Filed: **Jun. 22, 2012**

DESCRIPTION

(51) **LOC (9) Cl.** **15-06**

(52) **U.S. Cl.**

USPC **D15/69**

(58) **Field of Classification Search**

USPC D15/66-78; 112/2, 78, 154, 475.01,
112/63, 444, 217.1-217.4, 258-261

See application file for complete search history.

FIG. 1 is a perspective view of a sewing machine;

FIG. 2 is a front view thereof;

FIG. 3 is a top view thereof;

FIG. 4 is a right-side view thereof;

FIG. 5 is a left-side view thereof;

FIG. 6 is a rear view thereof;

FIG. 7 is a bottom view thereof; and,

FIG. 8 is another perspective view thereof.

The broken lines depict unclaimed subject matter only and form no part of the claimed design.

(56) **References Cited**

U.S. PATENT DOCUMENTS

D515,109 S * 2/2006 Iwai D15/70

D578,553 S * 10/2008 Inada D15/69

1 Claim, 7 Drawing Sheets



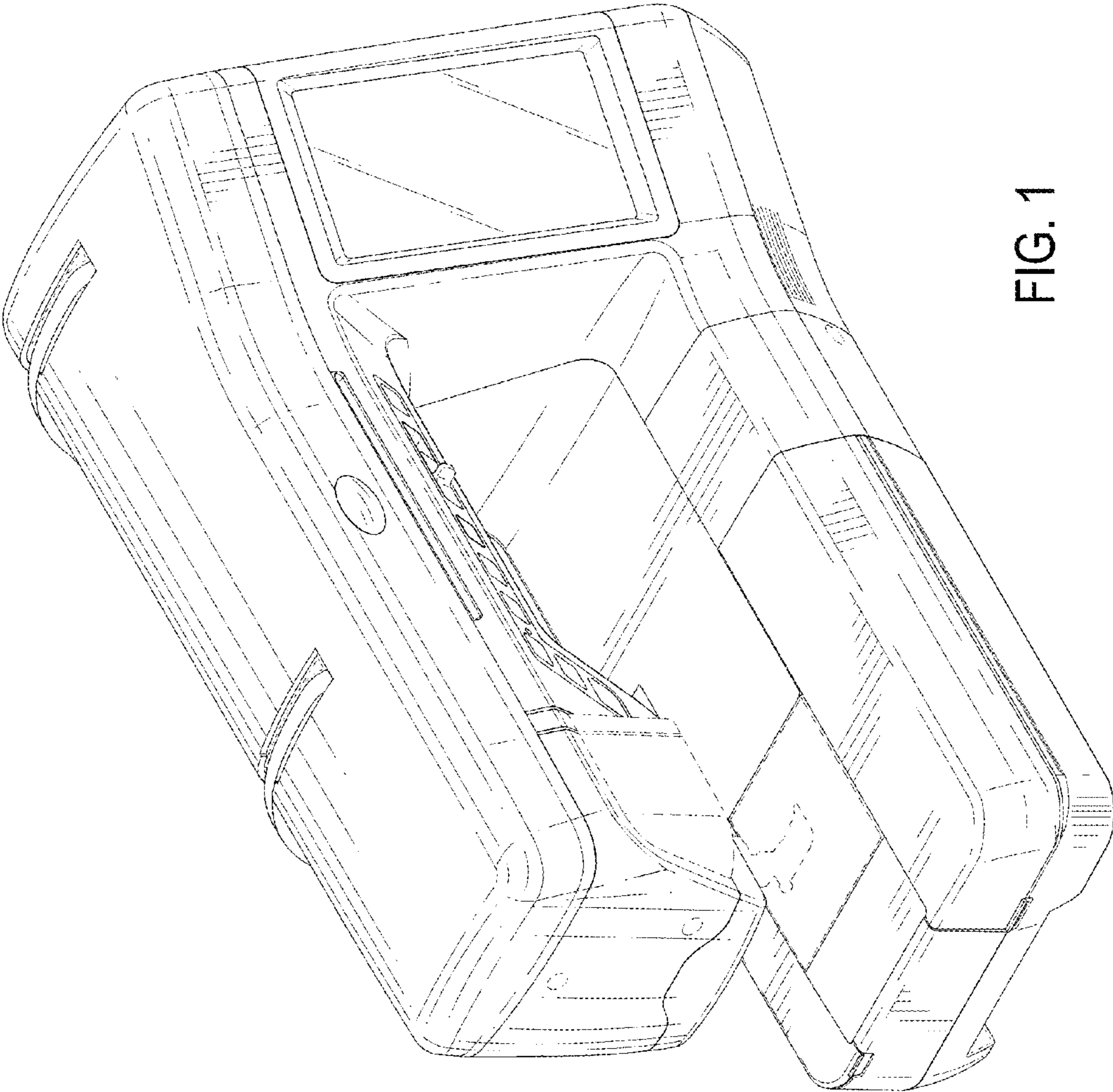


FIG. 1

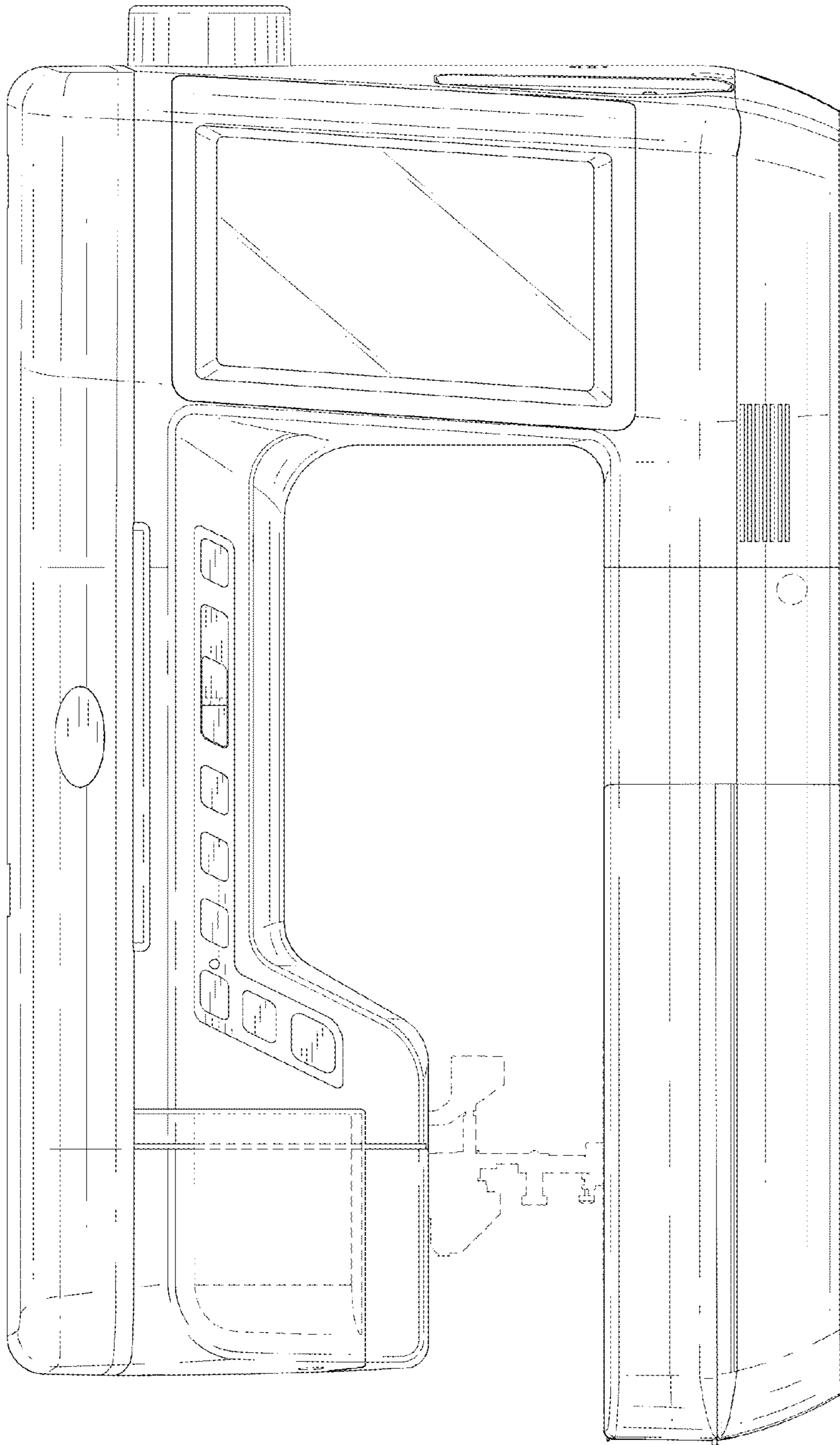


FIG. 2

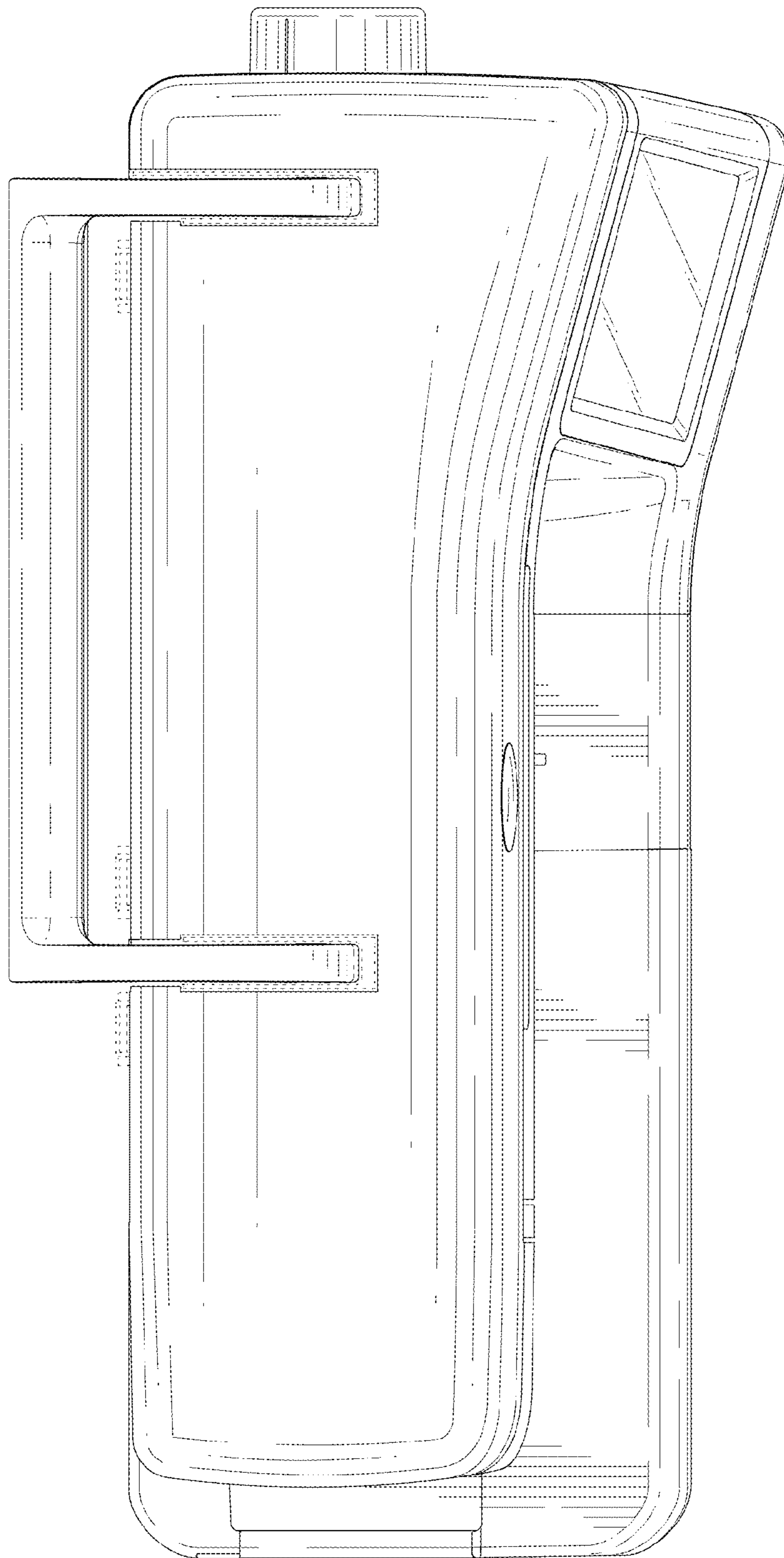


FIG. 3

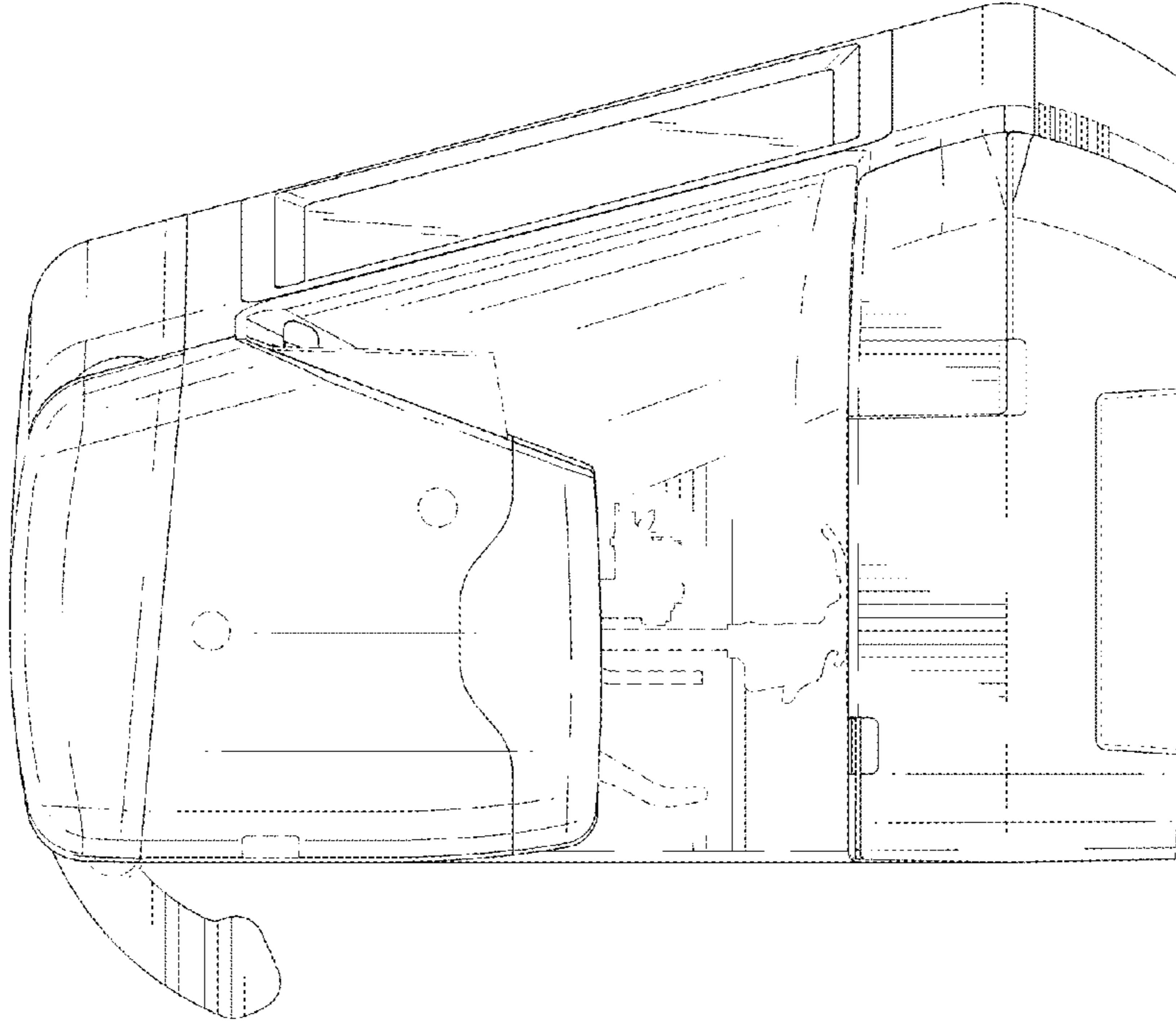


FIG. 5

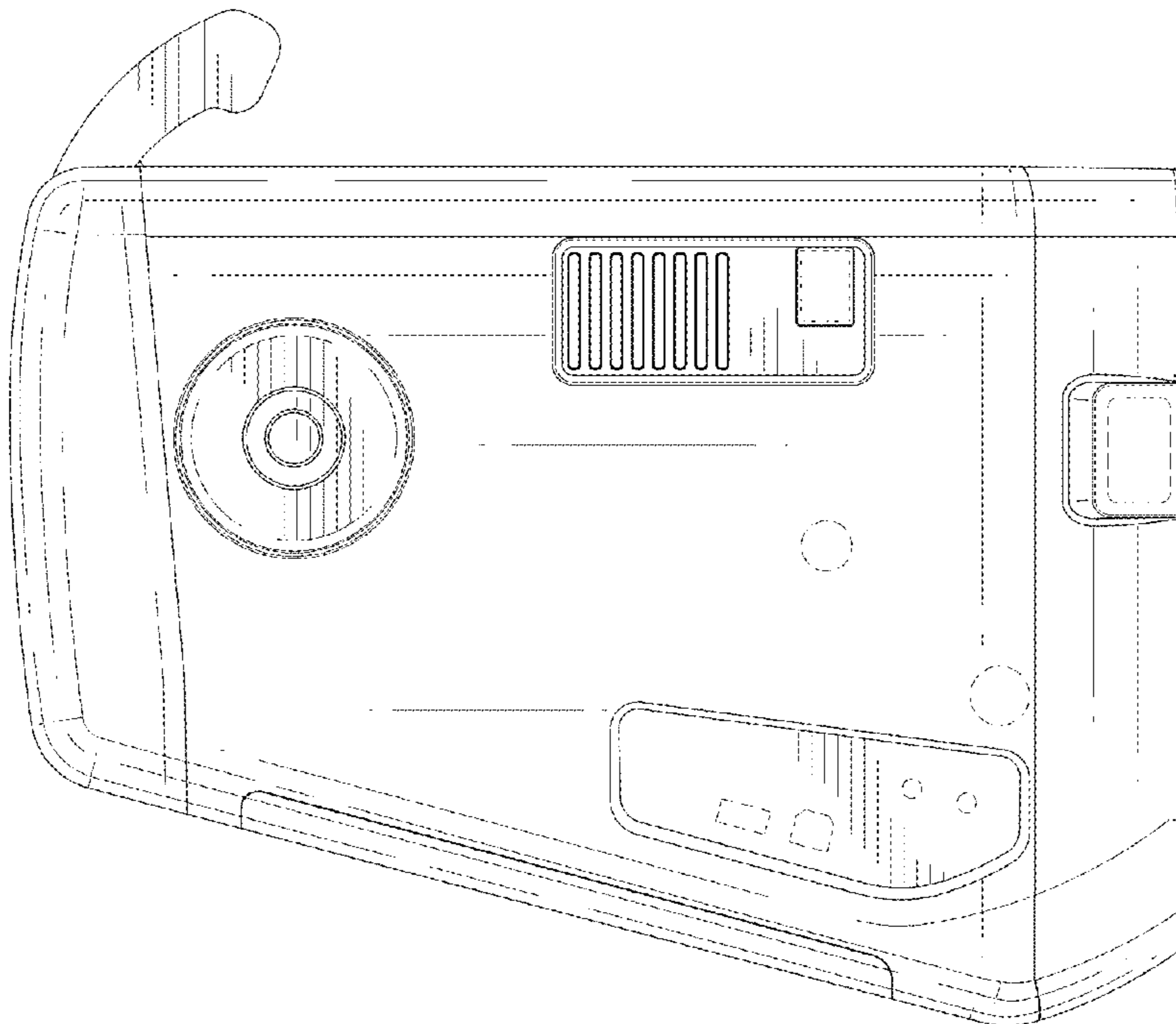


FIG. 4

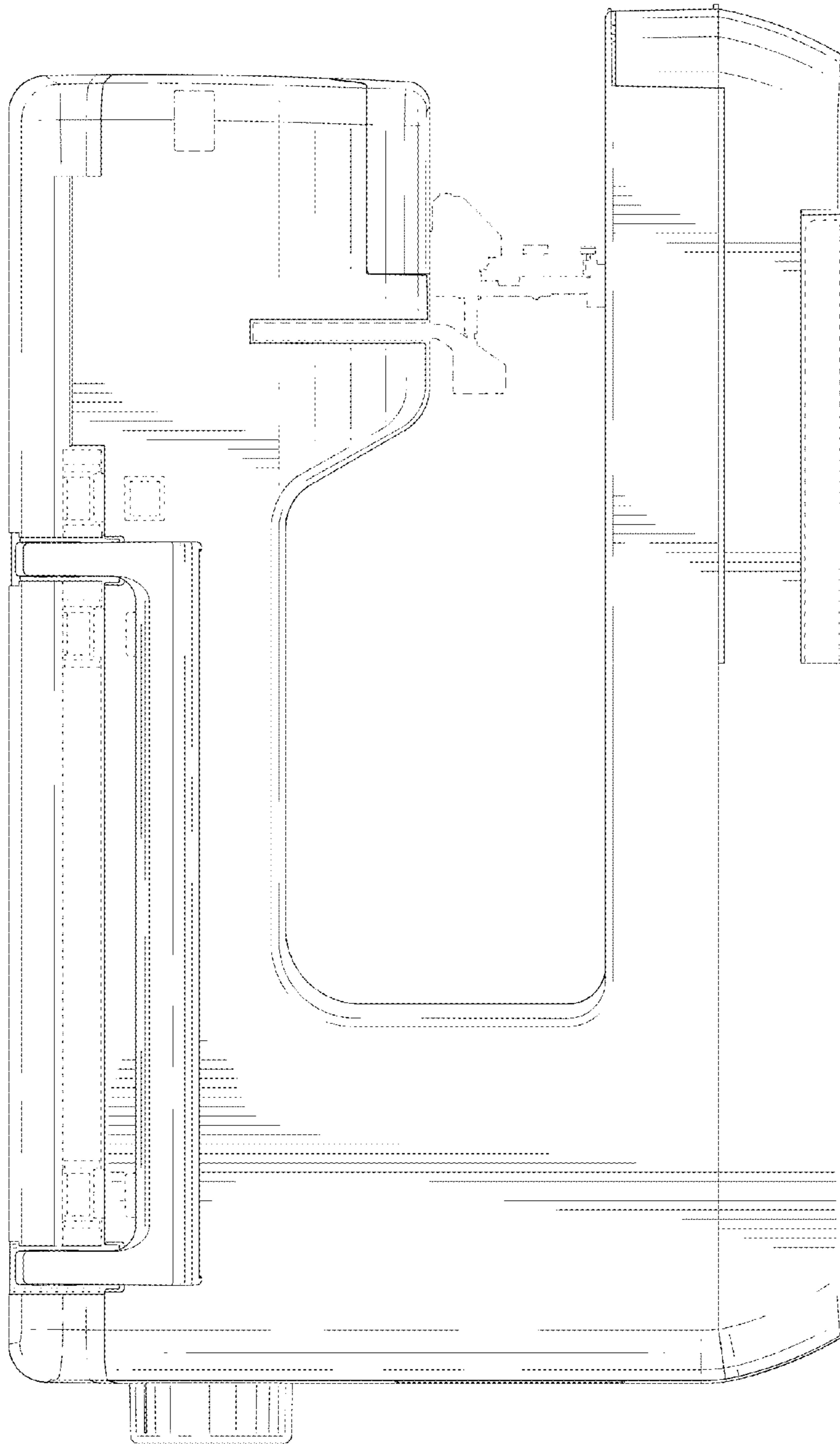


FIG. 6

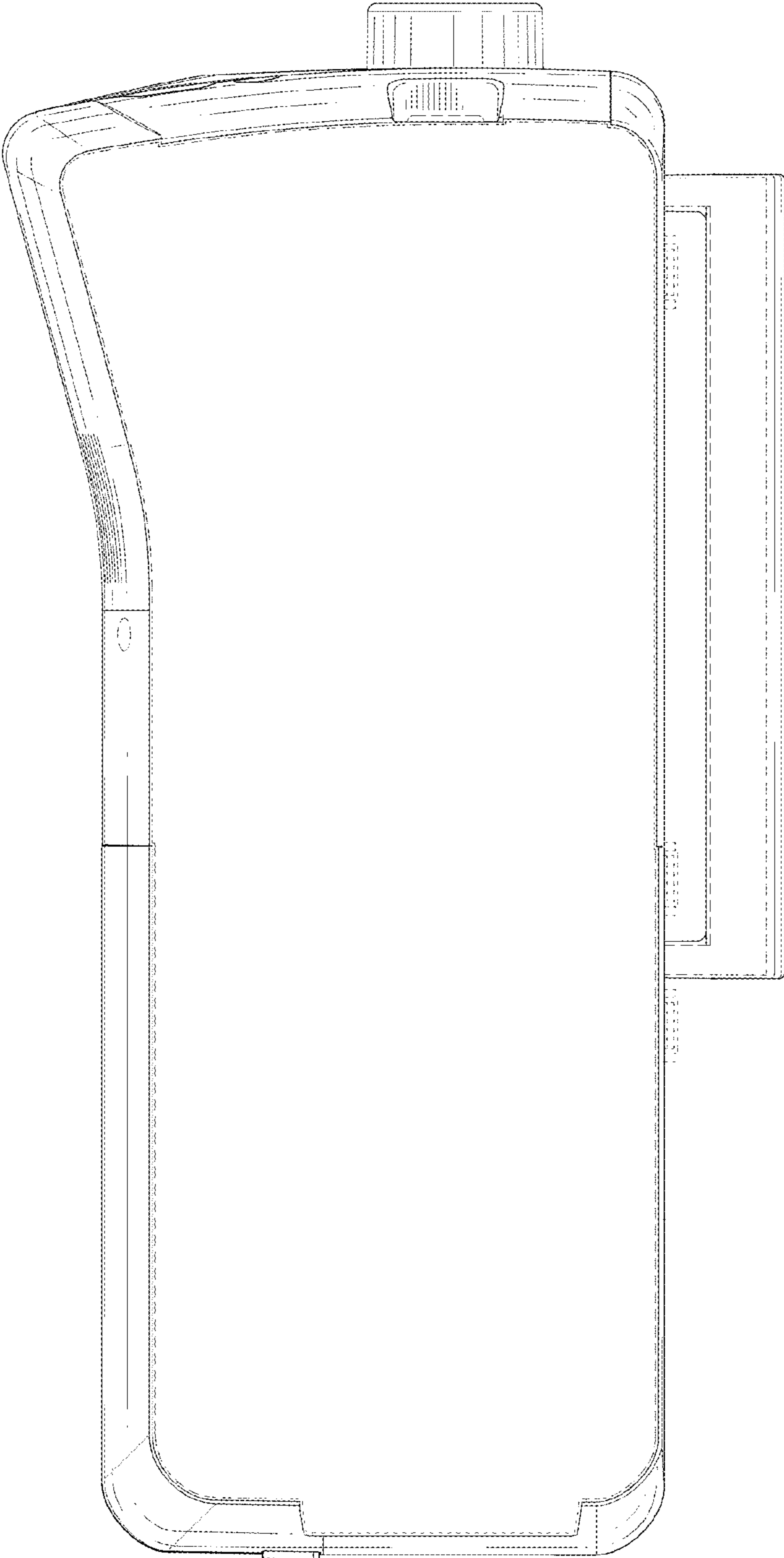


FIG. 7

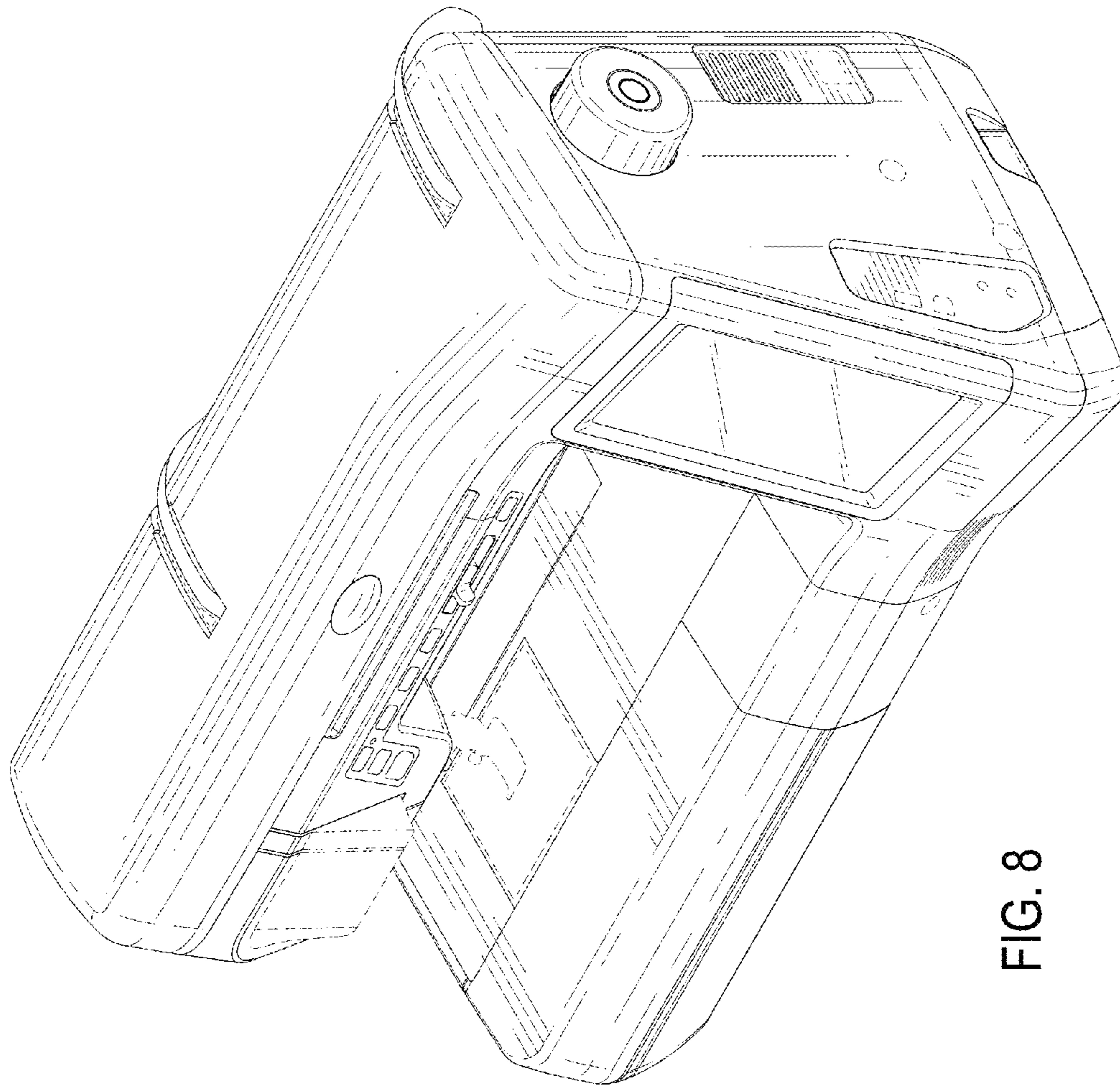


FIG. 8