

US00D687868S

(12) **United States Design Patent**  
**Watson et al.**

(10) **Patent No.:** **US D687,868 S**

(45) **Date of Patent:** **\*\* Aug. 13, 2013**

(54) **CRANE CAB**

(71) Applicant: **Link-Belt Construction Equipment Company Co., L.P., LLLP**, Lexington, KY (US)

(72) Inventors: **Charles M. "Matt" Watson**, Carlisle, KY (US); **LeRoy G. Williams**, Winchester, KY (US)

(73) Assignee: **Link-Belt Construction Equipment Co., L.P., LLLP**, Lexington, KY (US)

(\*\*) Term: **14 Years**

(21) Appl. No.: **29/444,636**

(22) Filed: **Feb. 1, 2013**

(51) **LOC (9) Cl.** ..... **15-03**

(52) **U.S. Cl.**  
USPC ..... **D15/30**

(58) **Field of Classification Search**  
USPC ..... D15/10, 22-26, 28, 30, 31; 180/89.11, 180/89.12, 89.13, 89.19, 900; 296/190.01, 296/190.08, 210, 190, 202  
See application file for complete search history.

(56) **References Cited**

**U.S. PATENT DOCUMENTS**

D366,267 S \* 1/1996 Lepoix ..... D15/30  
D389,984 S \* 1/1998 Johansson ..... D34/37  
D427,612 S \* 7/2000 Shim ..... D15/23

D463,807 S \* 10/2002 Tamaru et al. .... D15/30  
D528,134 S \* 9/2006 Vandendriessche et al. .. D15/30  
D594,037 S \* 6/2009 Uemura ..... D15/30  
D614,674 S \* 4/2010 Hobenshield et al. .... D15/30  
D629,429 S \* 12/2010 Wakamatsu ..... D15/30  
D642,205 S \* 7/2011 Yamamoto et al. .... D15/30  
D650,816 S \* 12/2011 Koponen et al. .... D15/30  
D660,881 S \* 5/2012 Bohme et al. .... D15/30  
D668,693 S \* 10/2012 Ringer ..... D15/30  
D670,744 S \* 11/2012 Ewringmann ..... D15/30

\* cited by examiner

*Primary Examiner* — Mark Goodwin

(74) *Attorney, Agent, or Firm* — King & Schickli, PLLC

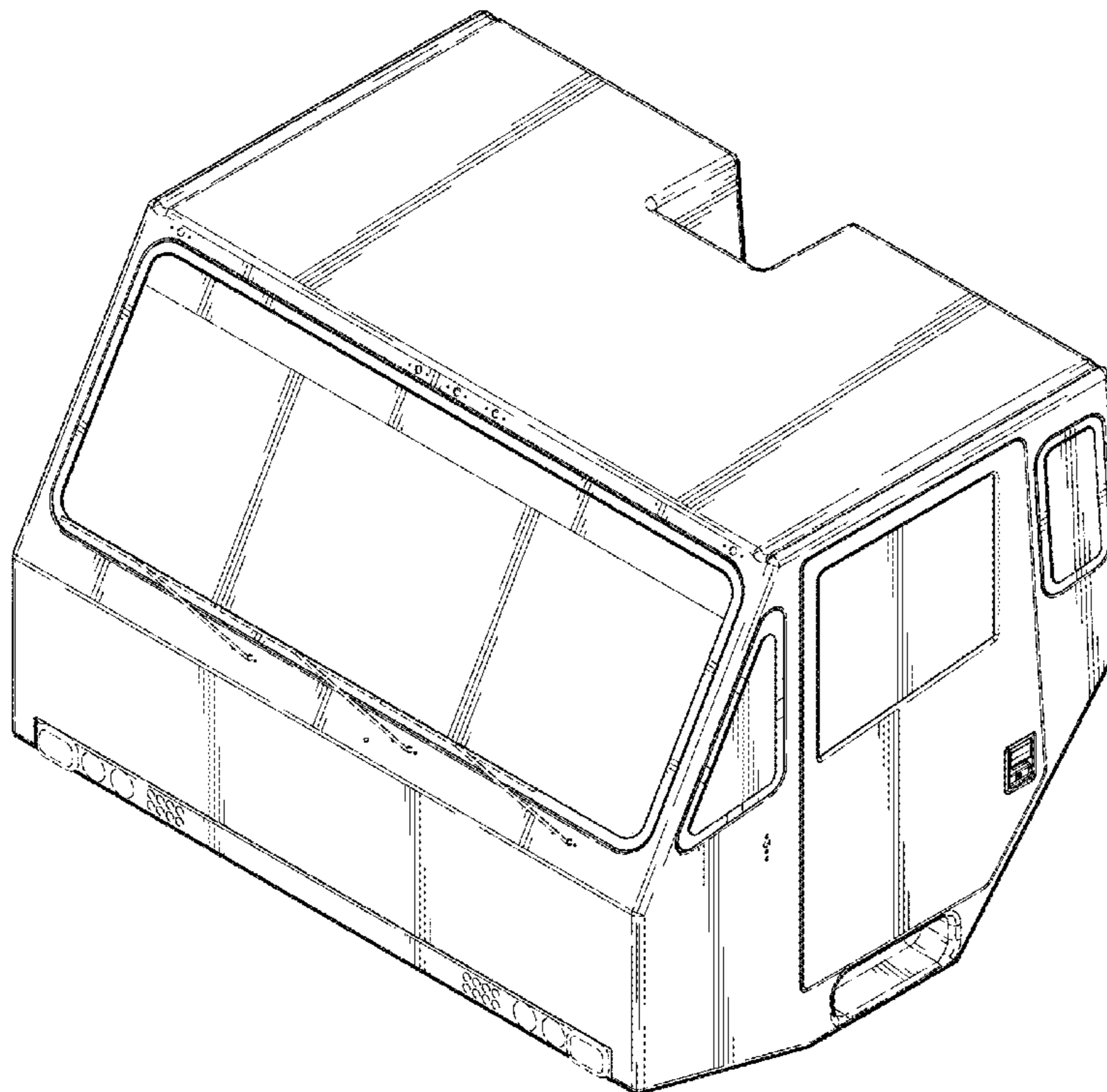
(57) **CLAIM**

The ornamental design of a crane cab, as shown and described.

**DESCRIPTION**

FIG. 1 is a front perspective view of a crane cab showing our new design;  
FIG. 2 is a bottom view thereof;  
FIG. 3 is a front view thereof;  
FIG. 4 is a left side view of the cab, the right side being a mirror image thereof;  
FIG. 5 is a rear view thereof;  
FIG. 6 is a top view thereof; and,  
FIG. 7 is a bottom view thereof.  
The broken line showing of elements of the cab or a portion thereof forms no part of the claimed design.

**1 Claim, 7 Drawing Sheets**



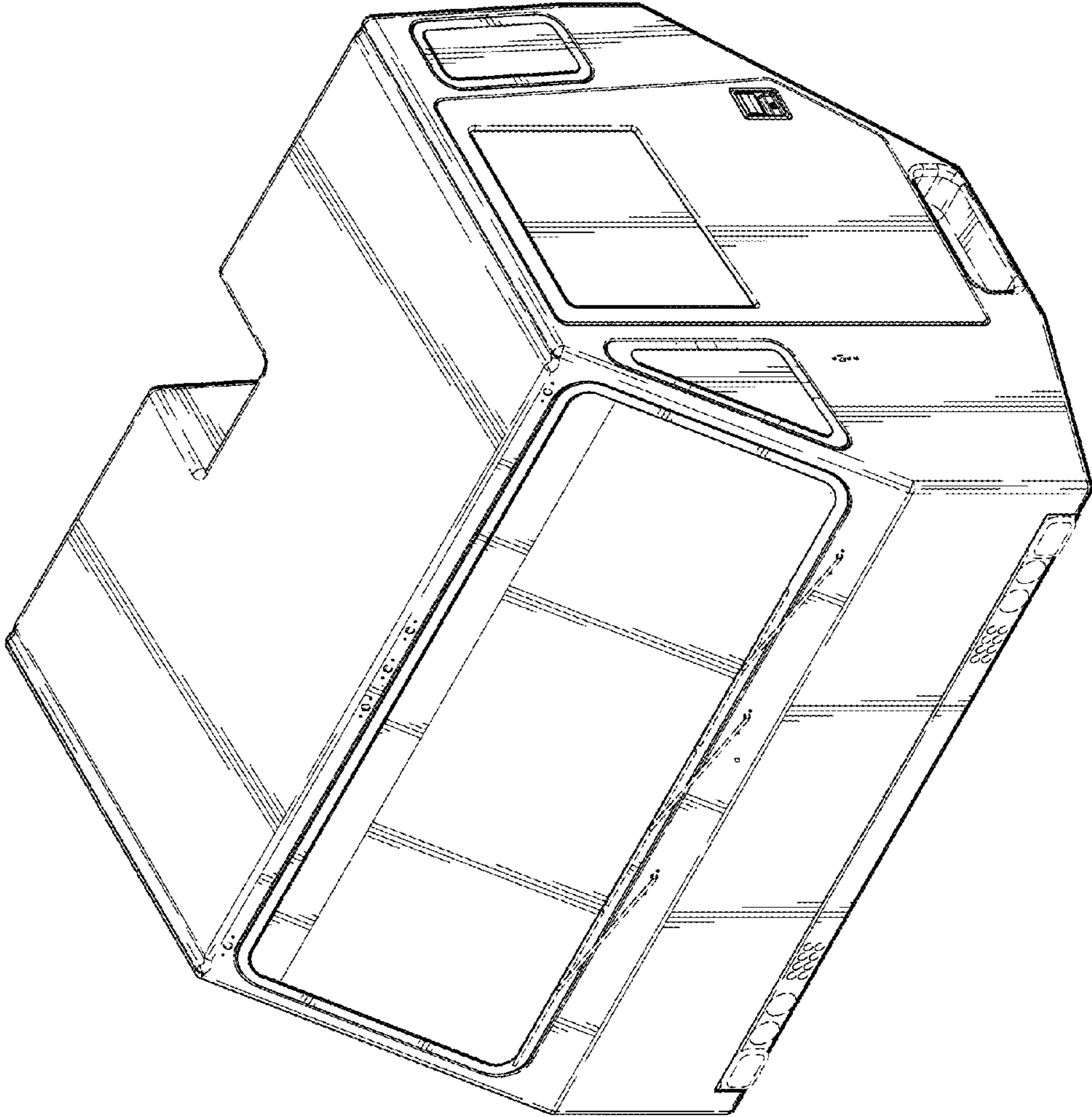


FIG. 1

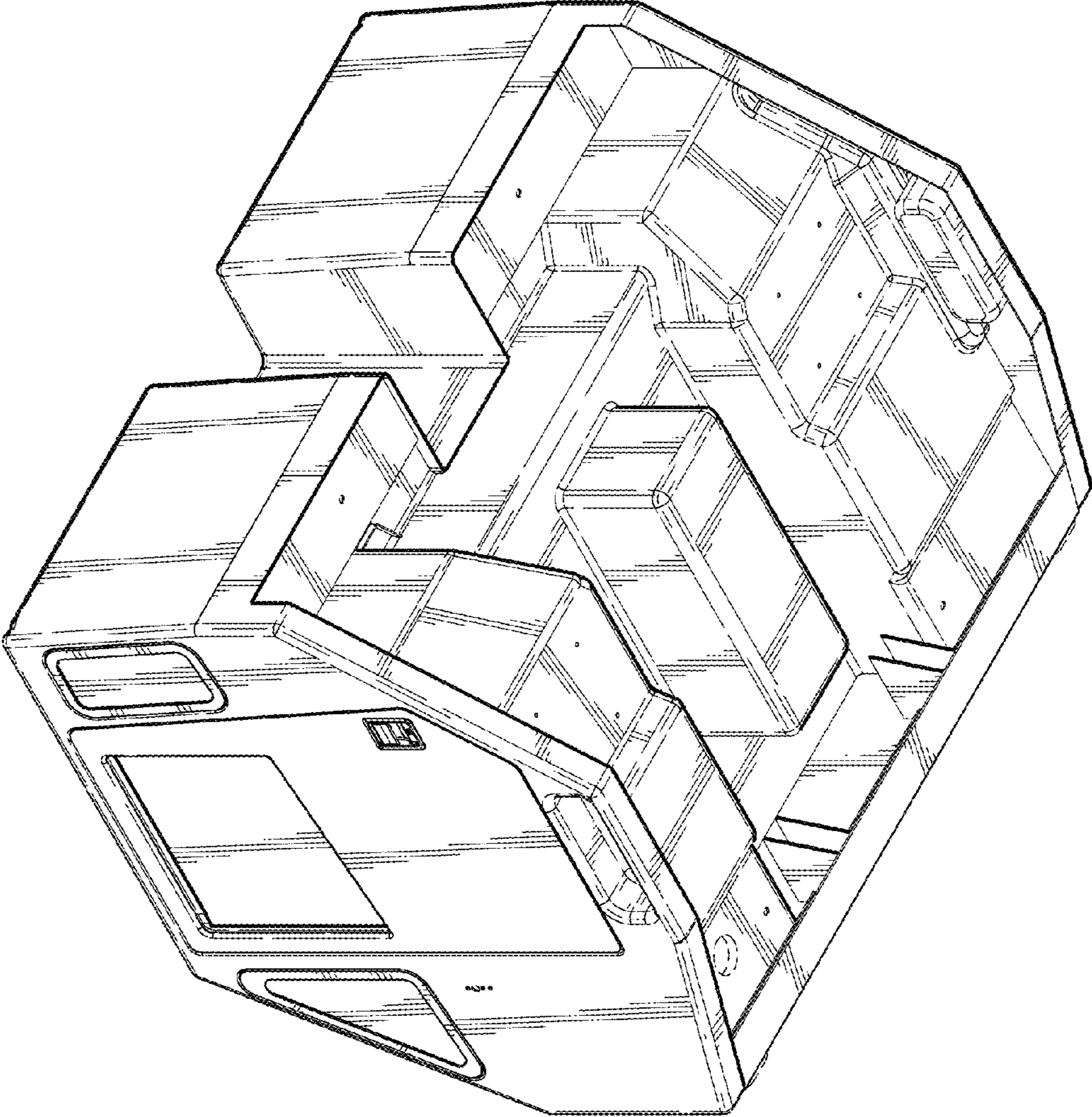


FIG. 2



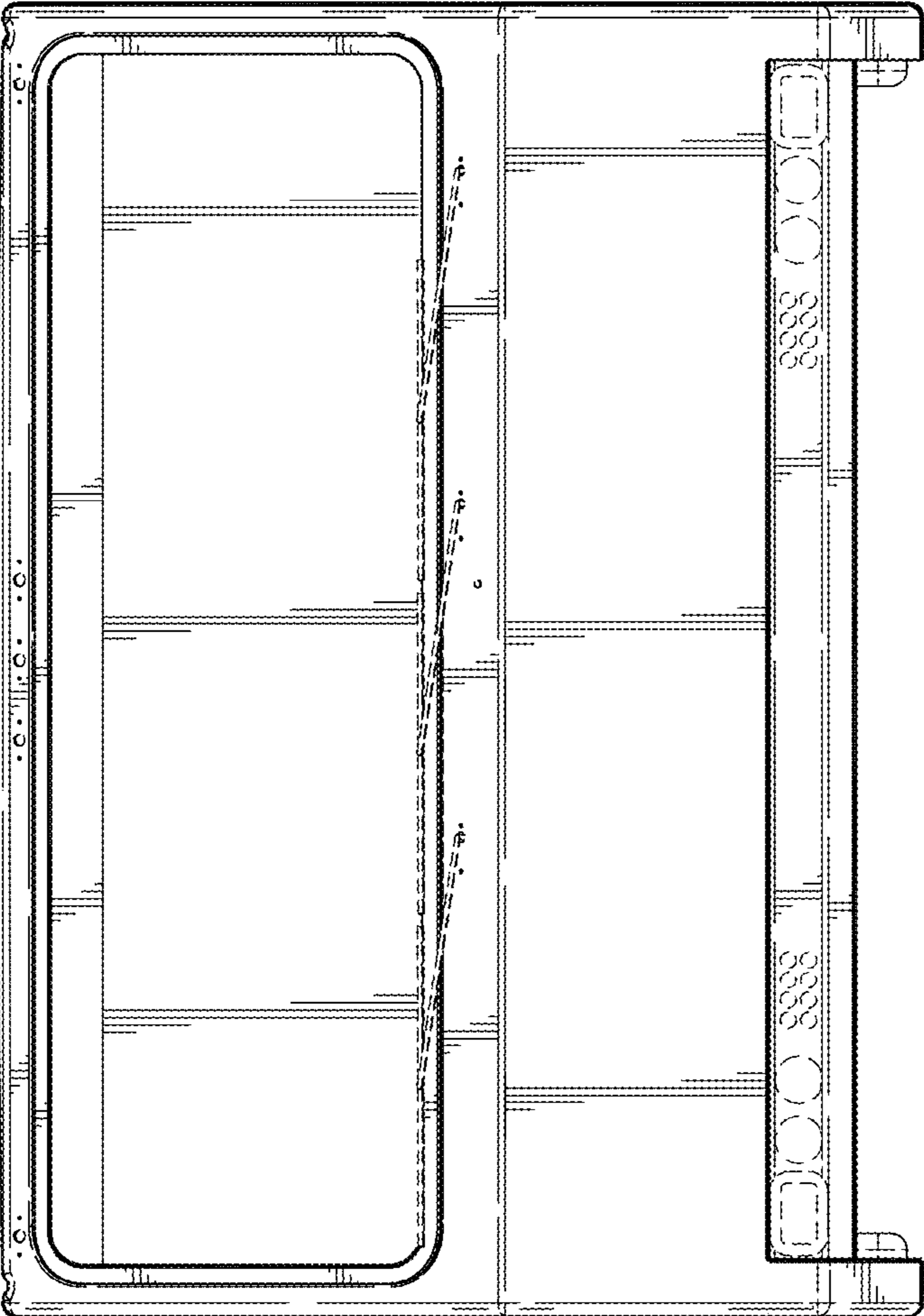


FIG. 3

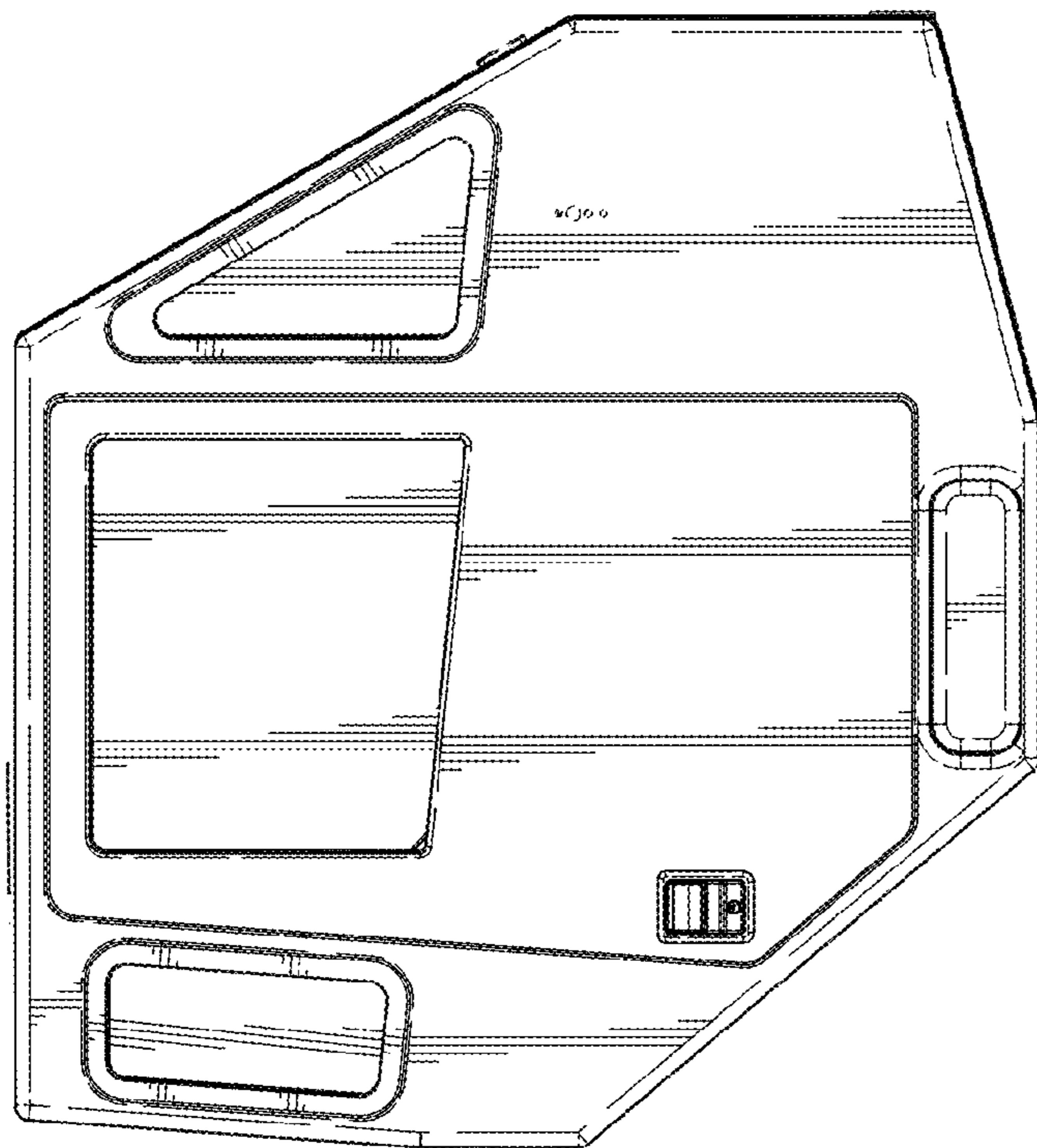


FIG. 4

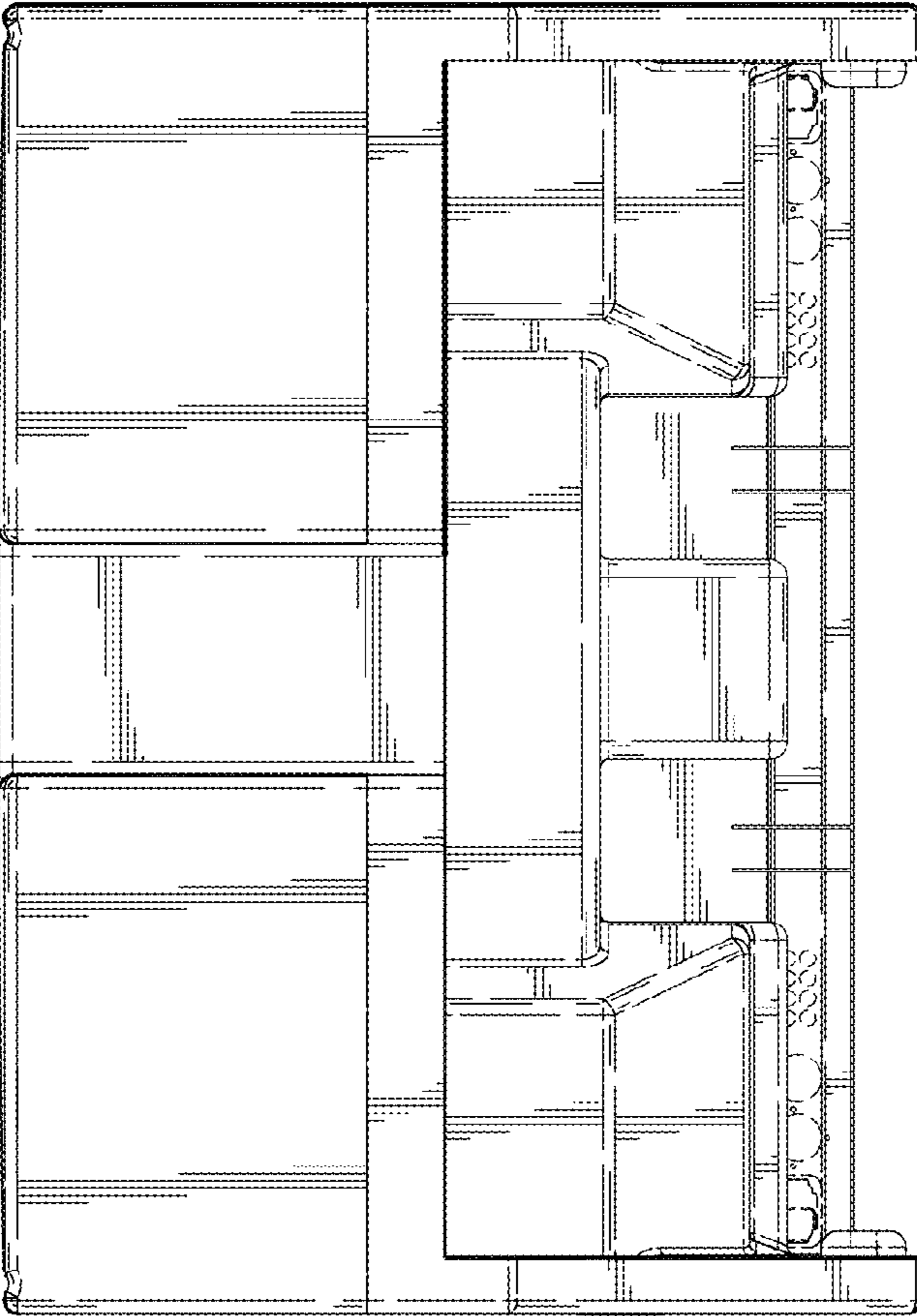


FIG. 5

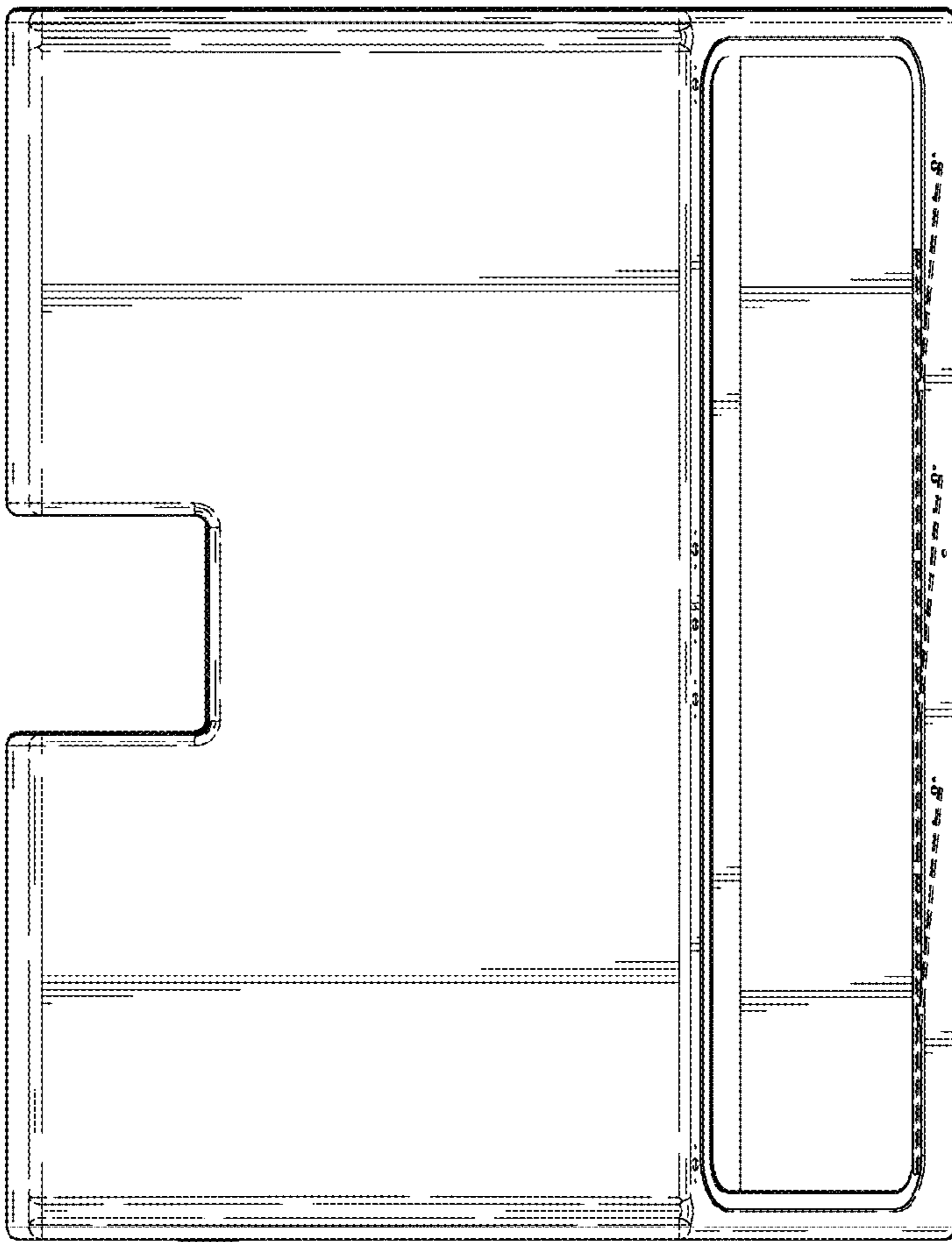


FIG. 6

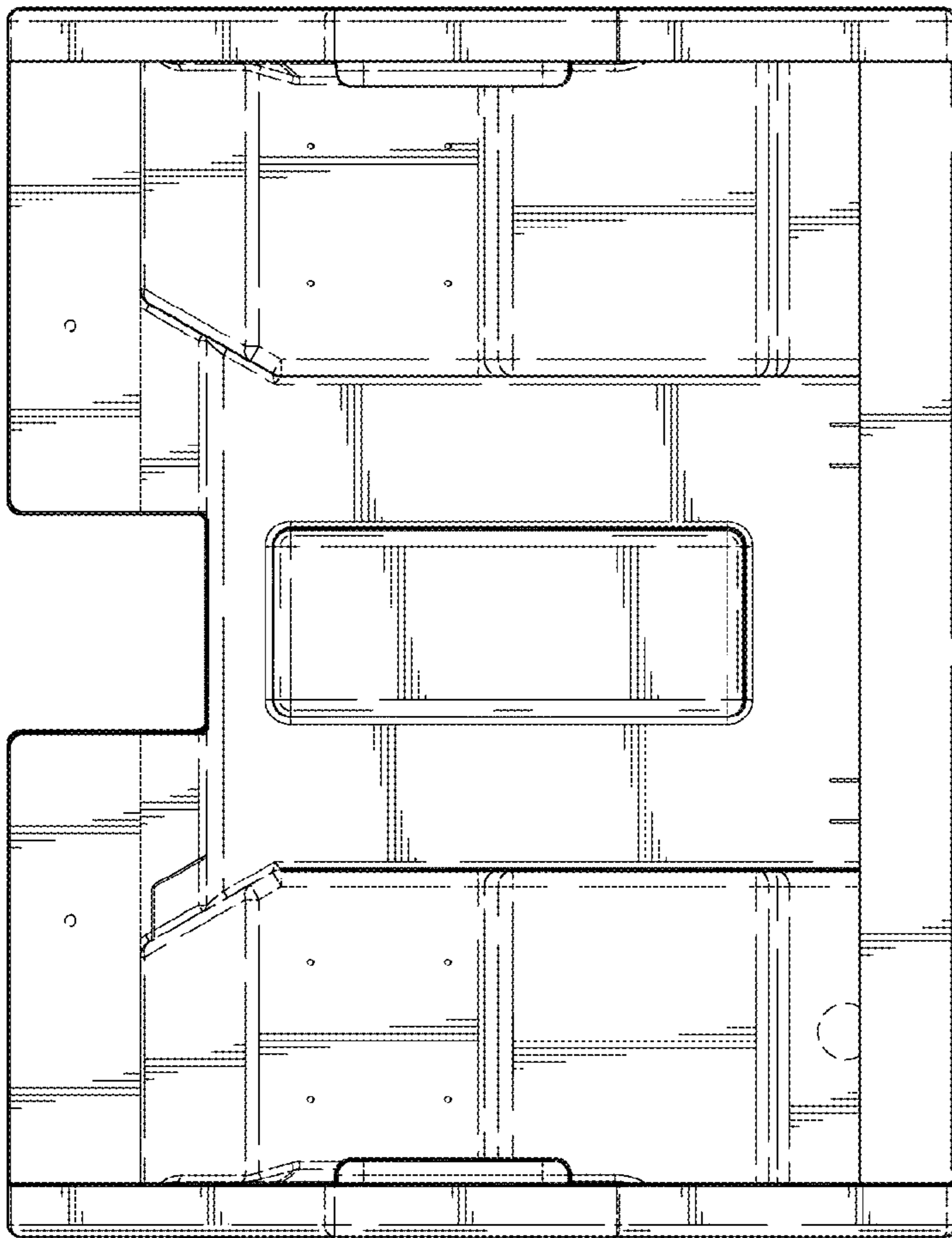


FIG. 7