



US00D687867S

(12) **United States Design Patent**  
**Thompson et al.**

(10) **Patent No.:** **US D687,867 S**

(45) **Date of Patent:** **\*\* Aug. 13, 2013**

(54) **PRODUCT TANK FOR AGRICULTURAL SEEDING AND PLANTING IMPLEMENTS**

(71) Applicant: **CNH Canada, Ltd.**, Saskatoon (CA)

(72) Inventors: **Dennis G. Thompson**, Saskatoon (CA);  
**Jared S. Wright**, Saskatoon (CA); **Jesse W. Gonzales**, Falls Church, VA (US)

(73) Assignee: **CNH Canada, Ltd.** (CA)

(\*\*) Term: **14 Years**

(21) Appl. No.: **29/441,924**

(22) Filed: **Jan. 10, 2013**

(51) **LOC (9) Cl.** ..... **15-03**

(52) **U.S. Cl.**  
USPC ..... **D15/28**

(58) **Field of Classification Search**  
USPC ..... D15/10, 13-17, 28, 21, 27; D12/218;  
D23/200, 202, 213; 239/683, 687, 72, 289,  
239/722; 414/725, 912; 37/442, 403; 111/118;  
137/544; 220/587, 565, 567.1; 210/532.2;  
123/563; 222/185.1, 608

See application file for complete search history.

(56) **References Cited**

**U.S. PATENT DOCUMENTS**

3,263,865	A *	8/1966	Kachnik	222/159
3,393,835	A *	7/1968	Kantor et al.	222/105
3,797,743	A *	3/1974	Kommers et al.	239/148
4,011,914	A *	3/1977	Elmer	172/126
D307,591	S *	5/1990	Ridgeon	D15/13
D327,942	S *	7/1992	Whitfield	D23/202
D333,476	S *	2/1993	Gingrich	D15/13
D349,944	S *	8/1994	Harris	D23/202
D359,712	S *	6/1995	Ziaylek et al.	D12/13
D364,173	S *	11/1995	Woods	D15/13
5,501,405	A *	3/1996	Doornek	239/683
5,676,117	A *	10/1997	Williams	123/527

5,755,382	A *	5/1998	Skotinkov	239/161
5,816,350	A *	10/1998	Akira et al.	180/68.1
D408,421	S *	4/1999	Beal, Jr.	D15/17
5,992,759	A *	11/1999	Patterson	239/167
D425,915	S *	5/2000	Truan et al.	D15/13
D427,206	S *	6/2000	Johnson et al.	D15/28
6,129,056	A *	10/2000	Skeel et al.	123/41.49
D433,425	S *	11/2000	SurrIDGE et al.	D15/17
D440,982	S *	4/2001	Knight et al.	D15/23
D445,477	S *	7/2001	Pomier	D23/207
6,285,938	B1 *	9/2001	Lang et al.	701/50
6,546,919	B2 *	4/2003	Callas et al.	123/563
6,564,857	B1 *	5/2003	Zobel et al.	165/41
6,588,189	B2 *	7/2003	Horejsi et al.	56/28
6,634,418	B2 *	10/2003	Wooldridge	165/44
6,715,643	B1 *	4/2004	Kelly	222/82
D499,113	S *	11/2004	Murayama et al.	D15/7
6,817,404	B2 *	11/2004	Frana-Guthrie et al.	165/43
D500,055	S *	12/2004	Bieker	D15/28
6,880,656	B2 *	4/2005	Pfusterschmid et al.	180/68.4
D523,447	S *	6/2006	Dixon	D15/13
D527,789	S *	9/2006	Thompson et al.	D23/202
D543,995	S *	6/2007	Tanaka et al.	D15/5
D590,043	S *	4/2009	Campbell	D23/202
D604,686	S *	11/2009	Yan et al.	D12/218

(Continued)

*Primary Examiner* — Mark Goodwin

(74) *Attorney, Agent, or Firm* — Rebecca Henkel

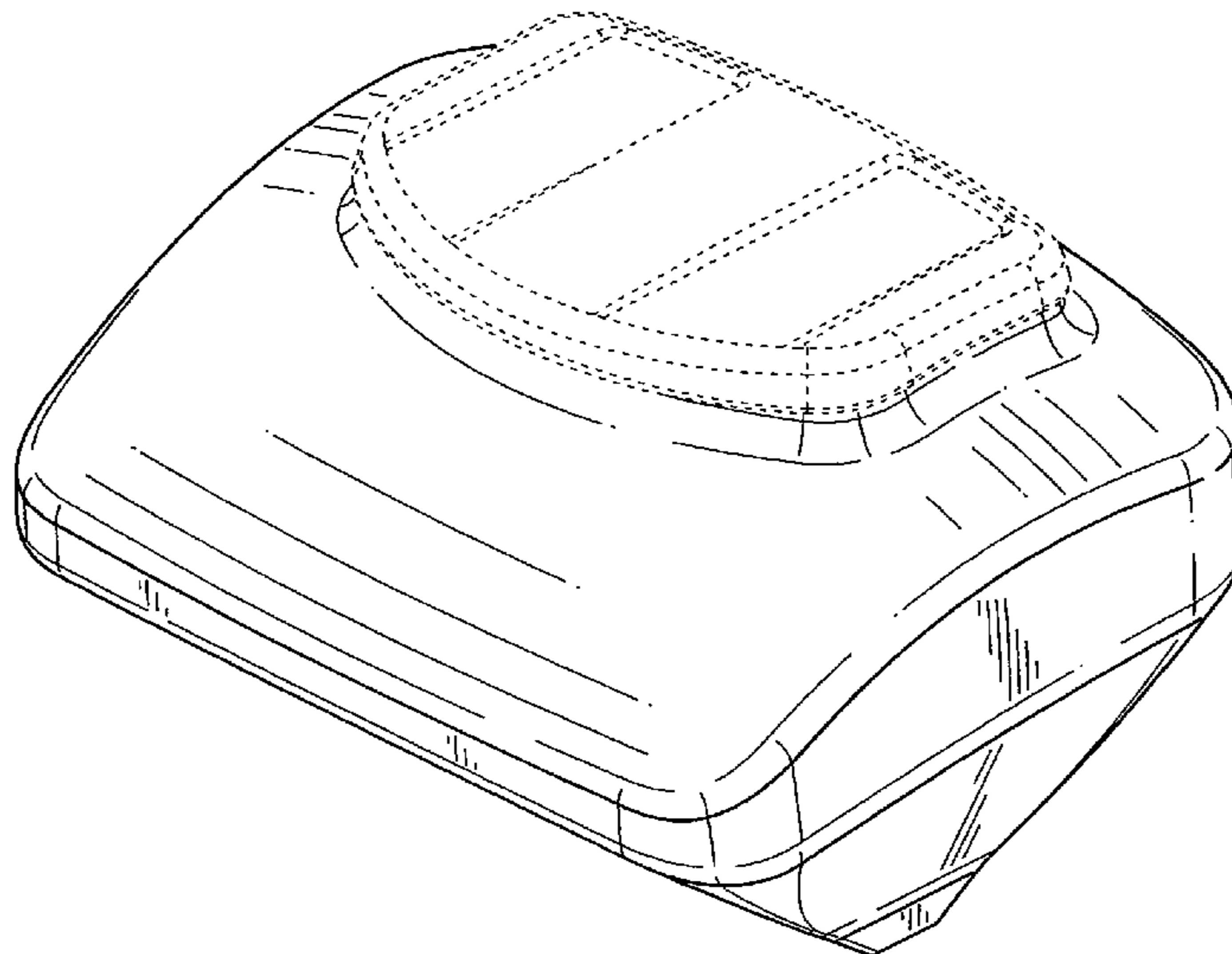
(57) **CLAIM**

The ornamental design for a product tank for agricultural seeding and planting implements, as shown and described.

**DESCRIPTION**

FIG. 1 is an isometric view of a product tank for agricultural seeding and planting implements showing our new design; FIG. 2 is a top plan view thereof; FIG. 3 is a front elevational view thereof; FIG. 4 is a side elevational view thereof; FIG. 5 is a rear elevational view thereof; and, FIG. 6 is a bottom plan view thereof.

**1 Claim, 5 Drawing Sheets**



(56)

**References Cited**

U.S. PATENT DOCUMENTS

D612,448 S \* 3/2010 Richardson ..... D23/202  
D624,864 S \* 10/2010 Makino ..... D12/218  
D625,388 S \* 10/2010 Cook ..... D23/202  
D647,168 S \* 10/2011 Lerner et al. .... D23/202  
D647,169 S \* 10/2011 Leonard et al. .... D23/202

D647,170 S \* 10/2011 Hayslip et al. .... D23/202  
D655,372 S \* 3/2012 Kimball et al. .... D23/202  
D656,520 S \* 3/2012 Ortlund et al. .... D15/17  
2002/0030119 A1\* 3/2002 Proharam ..... 239/168  
2011/0147497 A1\* 6/2011 Hiddema ..... 239/722  
2012/0032005 A1\* 2/2012 McMahon et al. .... 239/722

\* cited by examiner

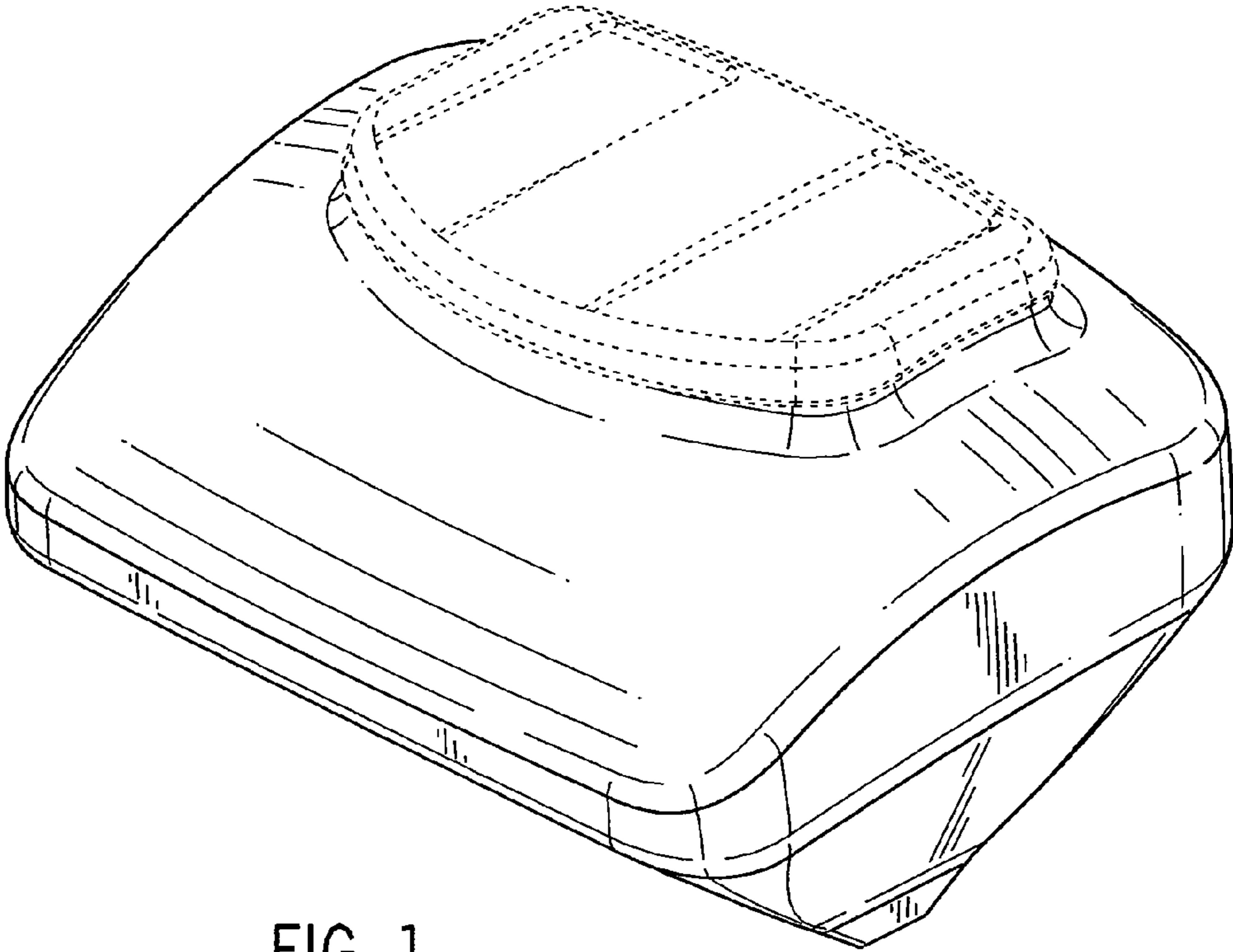


FIG. 1

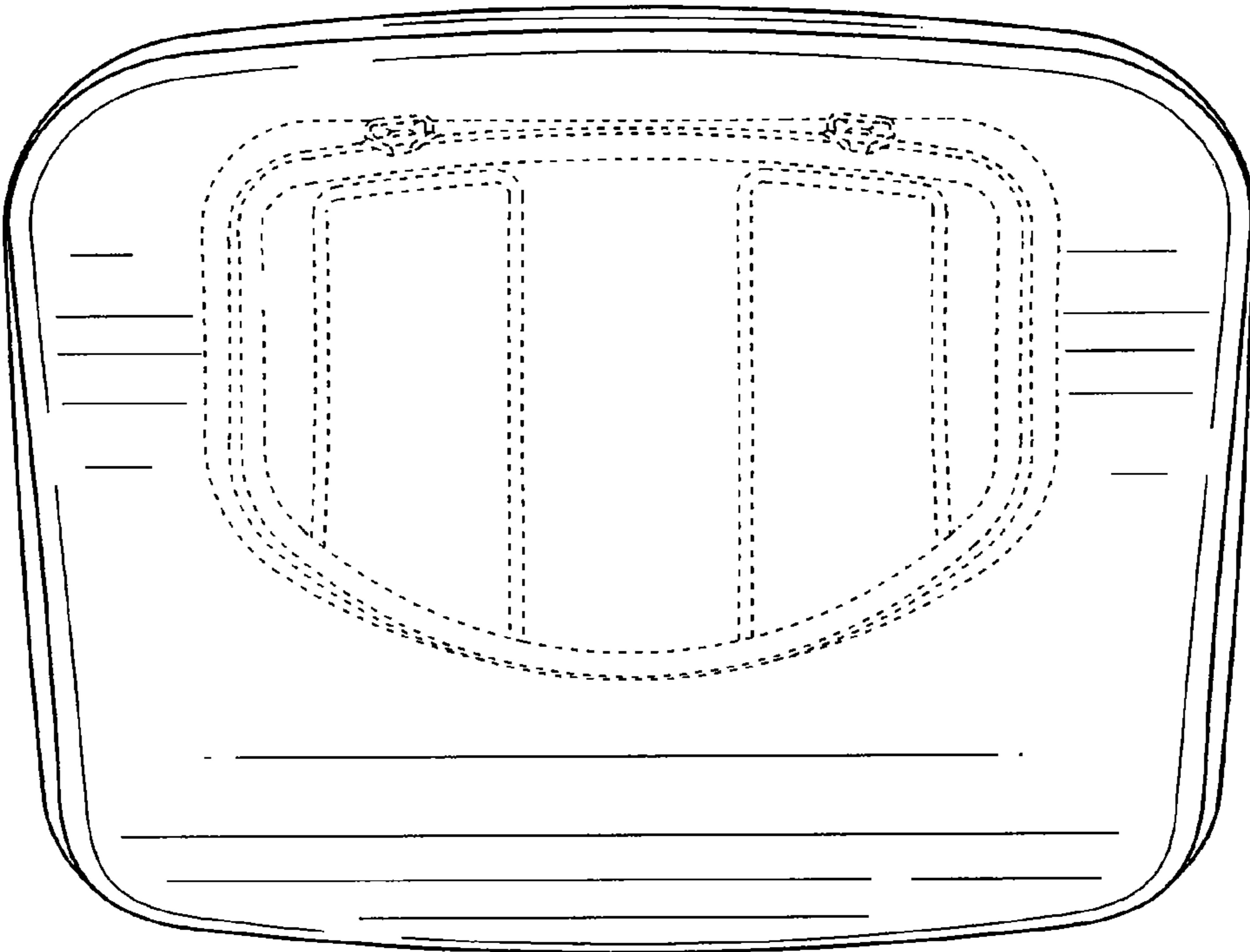


FIG. 2

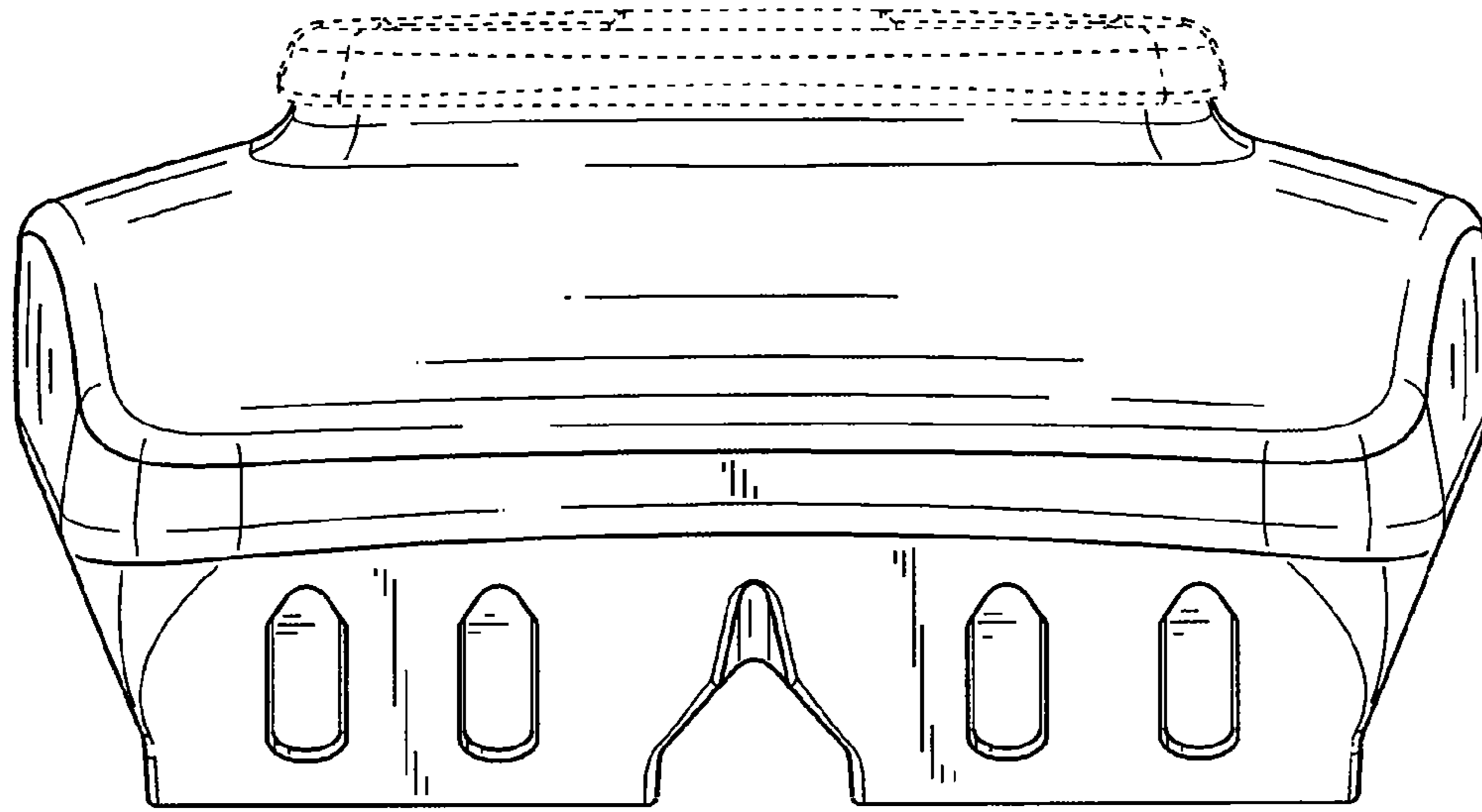


FIG. 3

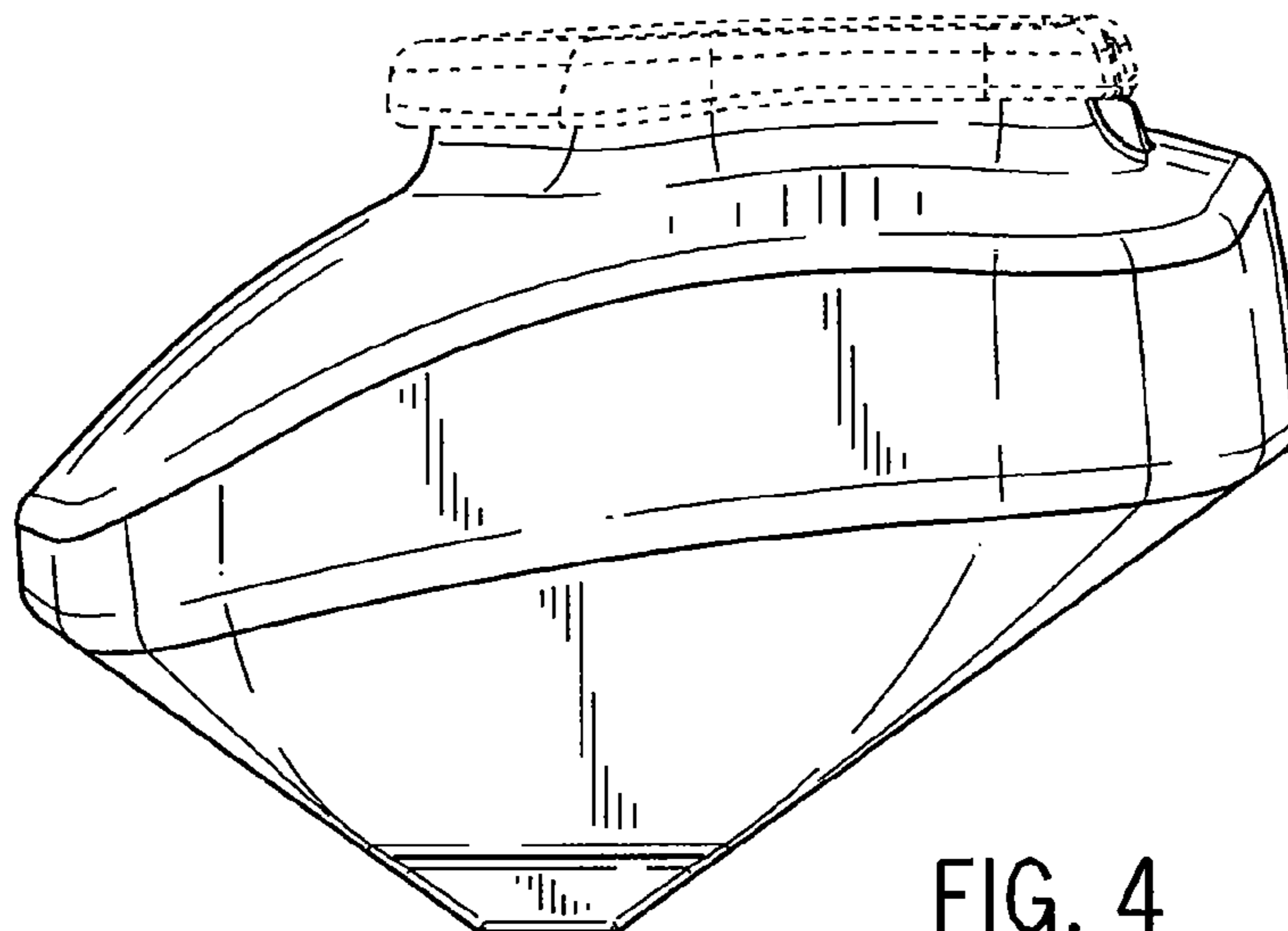


FIG. 4

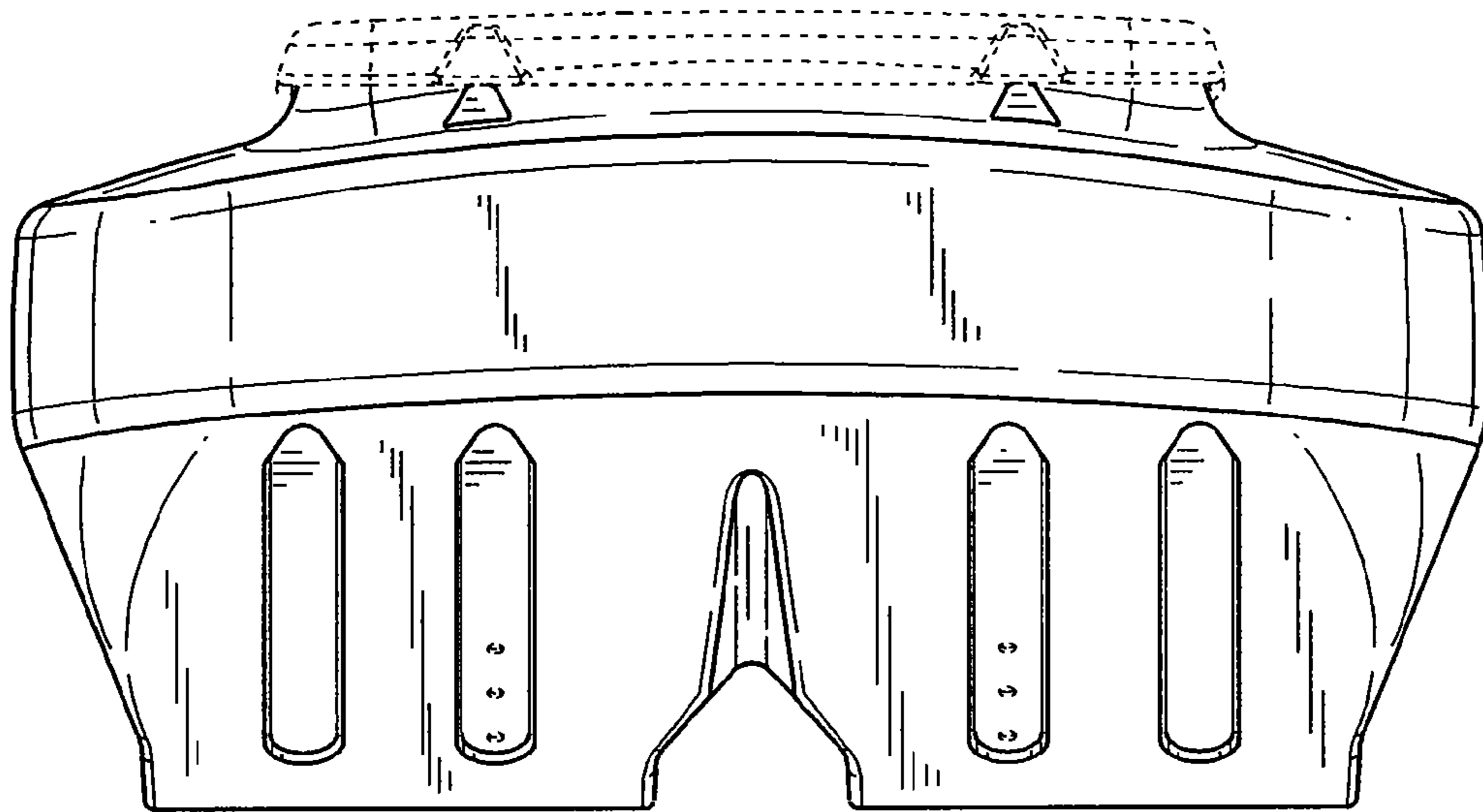


FIG. 5

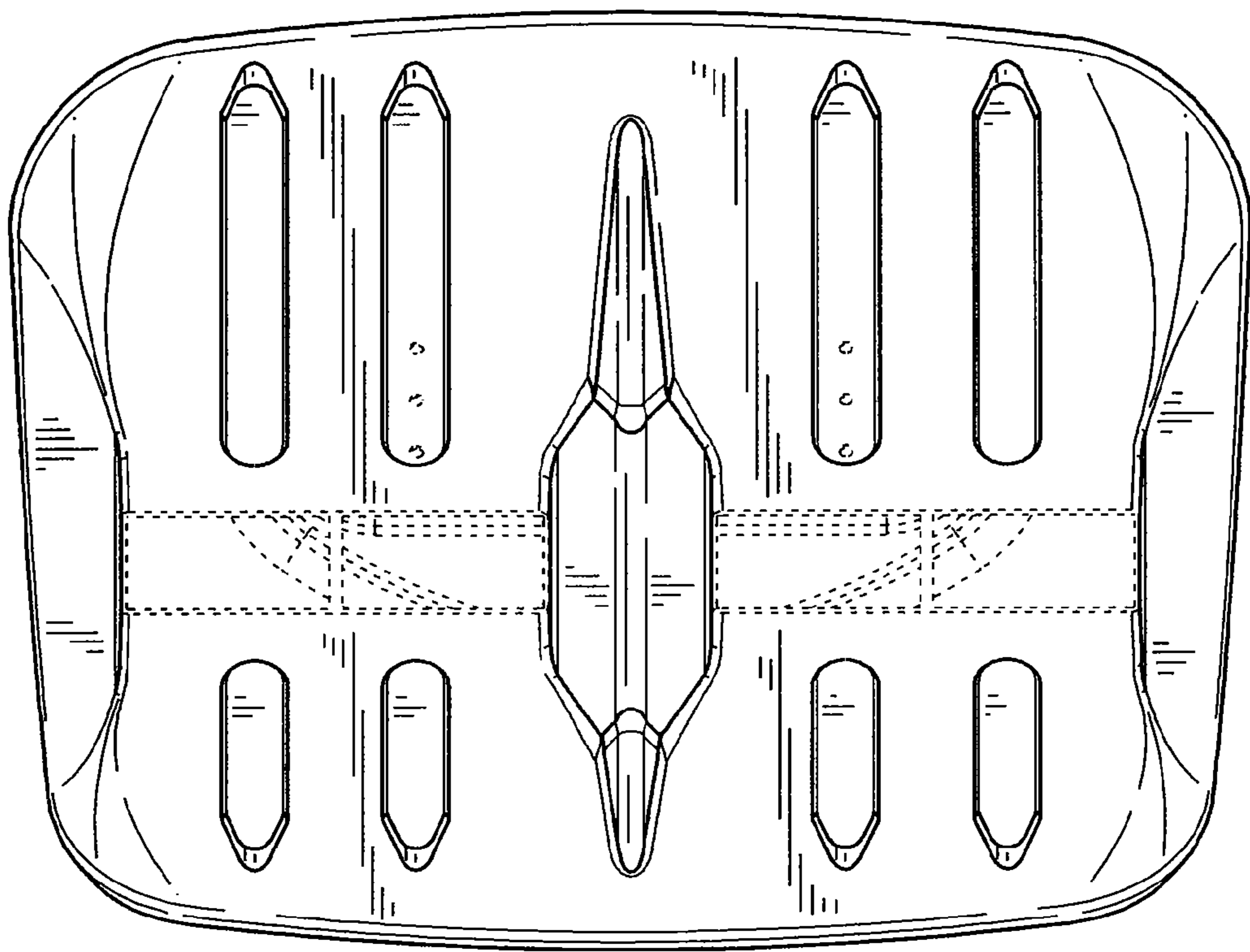


FIG. 6