



US00D687865S

(12) **United States Design Patent**  
**Hatanaka et al.**

(10) **Patent No.:** **US D687,865 S**

(45) **Date of Patent:** **\*\* Aug. 13, 2013**

(54) **EXCAVATOR**

(71) Applicant: **Yanmar Co., Ltd.**, Osaki (JP)

(72) Inventors: **Mitsuyuki Hatanaka**, Chikugo (JP);  
**Masami Miyanishi**, Chikugo (JP);  
**Masamitsu Uemura**, Chikugo (JP)

(73) Assignee: **Yanmar Co., Ltd.**, Osaka (JP)

(\*\*) Term: **14 Years**

(21) Appl. No.: **29/433,167**

(22) Filed: **Sep. 26, 2012**

(51) **LOC (9) Cl.** ..... **12-09**

(52) **U.S. Cl.**  
USPC ..... **D15/24**

(58) **Field of Classification Search**  
USPC ..... D15/10, 22-26, 28, 30; 180/89.1,  
180/89.12, 89.13, 900, 9.1, 9.2, 9.62; 37/379;  
414/694, 699, 722-724, 660, 685, 698, 719,  
414/743

See application file for complete search history.

(56) **References Cited**

**U.S. PATENT DOCUMENTS**

3,608,756	A	*	9/1971	Guinot	.....	414/694
3,674,162	A	*	7/1972	Smith	.....	414/694
4,728,251	A	*	3/1988	Takashima et al.	.....	414/694
D309,313	S	*	7/1990	Takashima et al.	.....	D15/25
D312,468	S	*	11/1990	Masumoto et al.	.....	D15/25
D354,497	S	*	1/1995	Kusunoki et al.	.....	D15/25
D387,360	S	*	12/1997	Ishizaki et al.	.....	D15/25
D431,253	S	*	9/2000	Marchetta et al.	.....	D15/25
D440,235	S	*	4/2001	Kuwae et al.	.....	D15/25
D450,717	S	*	11/2001	Muraro	.....	D15/25
D458,941	S	*	6/2002	Miyanishi et al.	.....	D15/25
D460,462	S	*	7/2002	Miyanishi et al.	.....	D15/25

D460,974	S	*	7/2002	Murakami et al.	.....	D15/25
D462,973	S	*	9/2002	Tamaru et al.	.....	D15/25
D462,974	S	*	9/2002	Yanagida et al.	.....	D15/25
D463,455	S	*	9/2002	Yanagida et al.	.....	D15/25
D473,571	S	*	4/2003	Kuwae et al.	.....	D15/25
D474,481	S	*	5/2003	Hara	.....	D15/25
D508,498	S	*	8/2005	Shimokakiuchi et al.	.....	D15/24
D509,514	S	*	9/2005	Shimokakiuchi et al.	.....	D15/24
D518,071	S	*	3/2006	Gwak et al.	.....	D15/25
D527,027	S	*	8/2006	Smith et al.	.....	D15/24
D534,552	S	*	1/2007	Yanagida	.....	D15/25
D538,304	S	*	3/2007	Uemura	.....	D15/25
D538,827	S	*	3/2007	Uemura	.....	D15/25
D555,675	S	*	11/2007	Matsubara et al.	.....	D15/25
D561,785	S	*	2/2008	Imashige et al.	.....	D15/24
D576,180	S	*	9/2008	Kuwae et al.	.....	D15/25
D594,883	S	*	6/2009	Ikeda et al.	.....	D15/25
D609,252	S	*	2/2010	Shimada et al.	.....	D15/25
D633,926	S	*	3/2011	Shimada et al.	.....	D15/25

\* cited by examiner

*Primary Examiner* — Mark Goodwin

(74) *Attorney, Agent, or Firm* — Sterne, Kessler, Goldstein & Fox P.L.L.C.

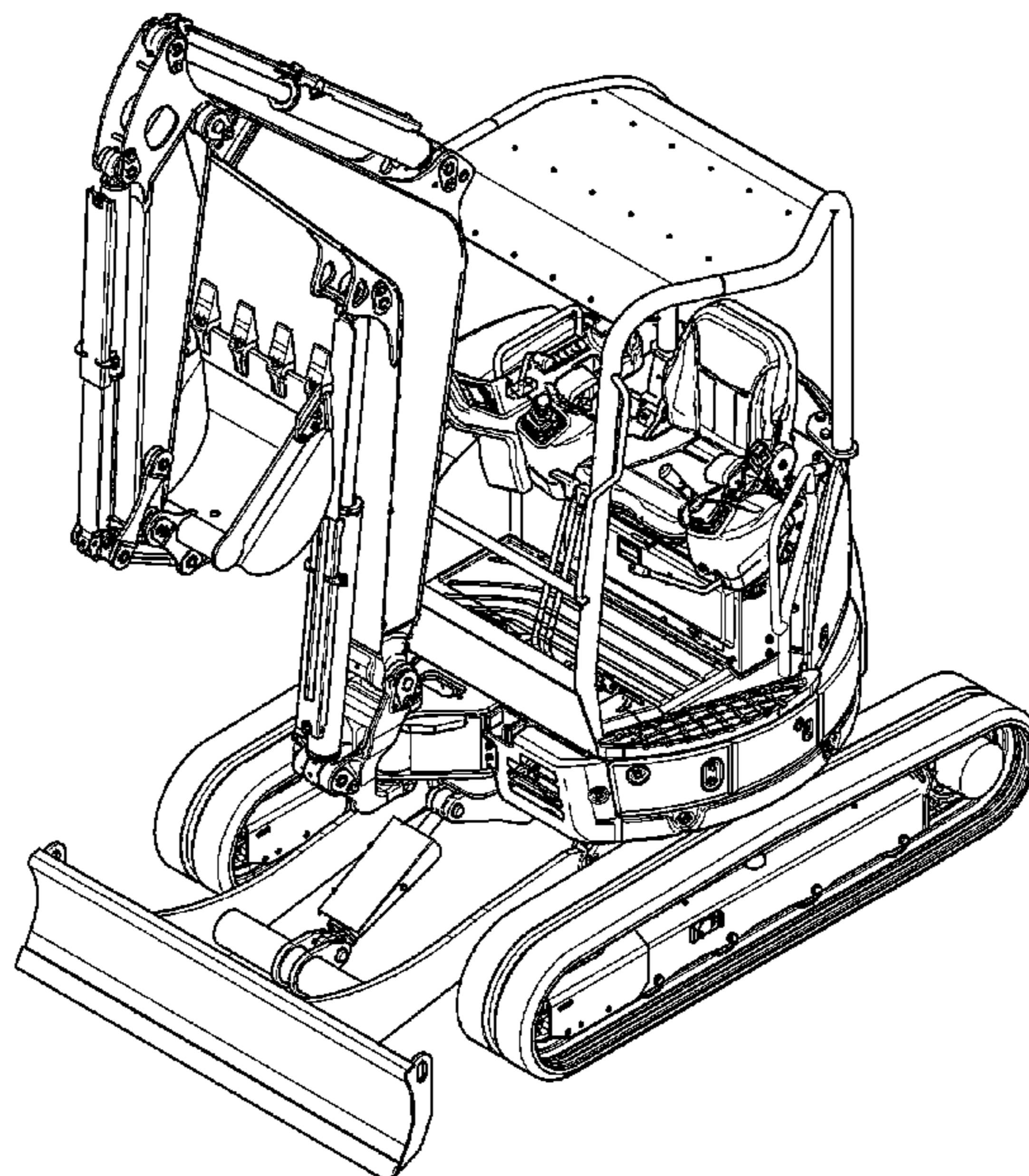
(57) **CLAIM**

The ornamental design for an excavator, as shown and described.

**DESCRIPTION**

FIG. 1 is a top front perspective view of an excavator showing our new design;  
FIG. 2 is a top rear perspective view thereof;  
FIG. 3 is a front view thereof;  
FIG. 4 is a rear view thereof;  
FIG. 5 is a top plan view thereof;  
FIG. 6 is a bottom plan view thereof;  
FIG. 7 is a left side view thereof; and,  
FIG. 8 is a right side view thereof.

**1 Claim, 8 Drawing Sheets**



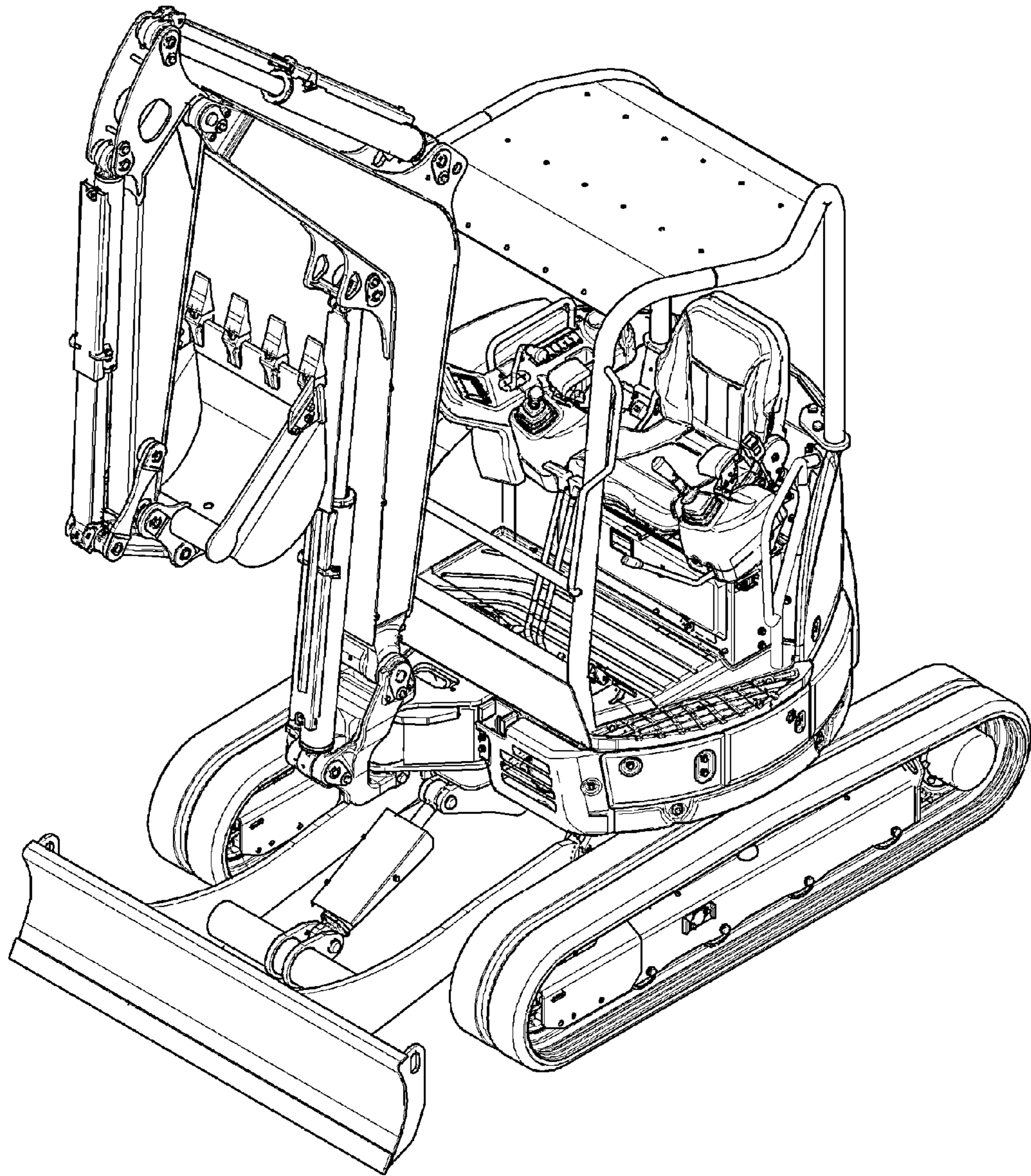


FIG. 1

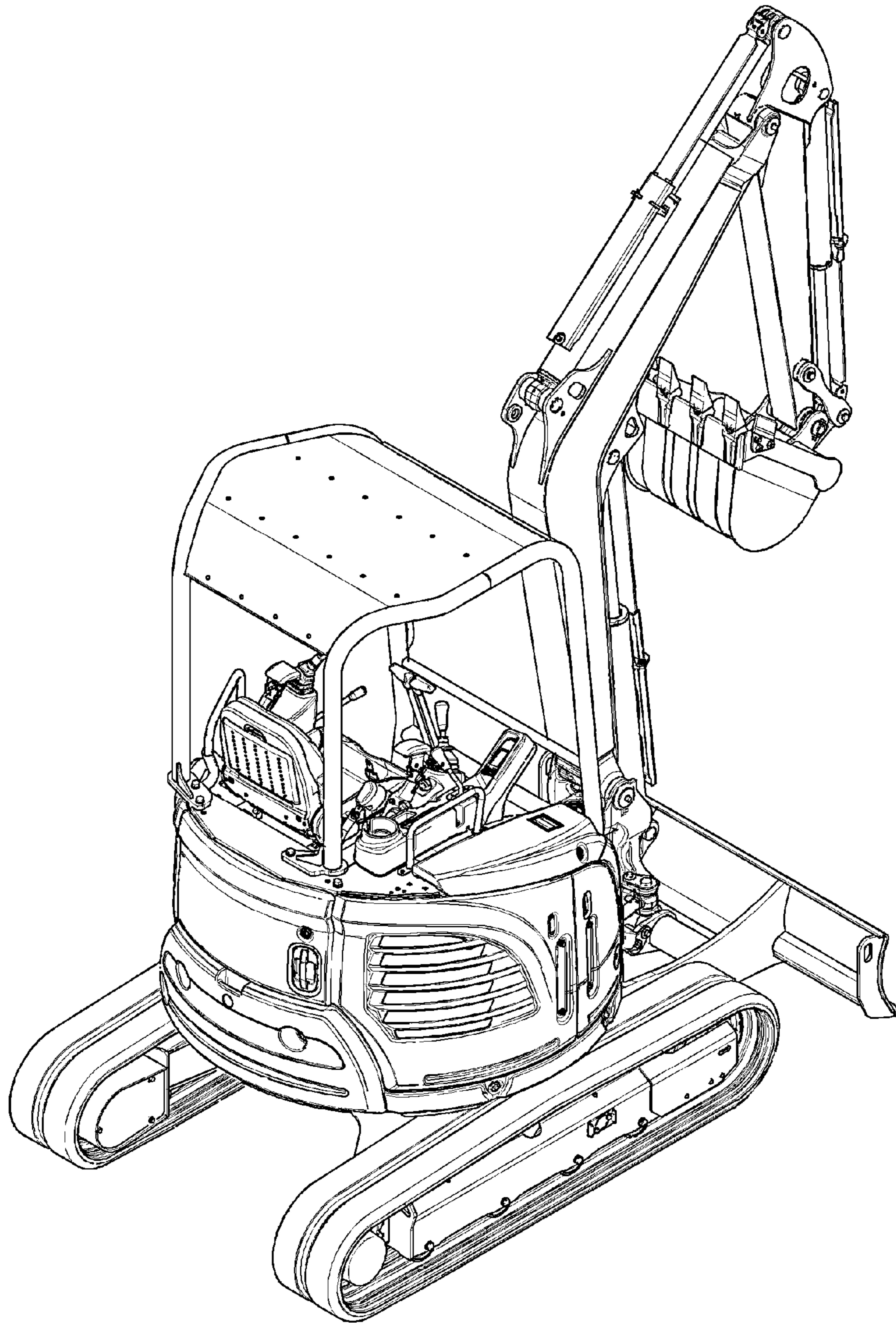


FIG. 2

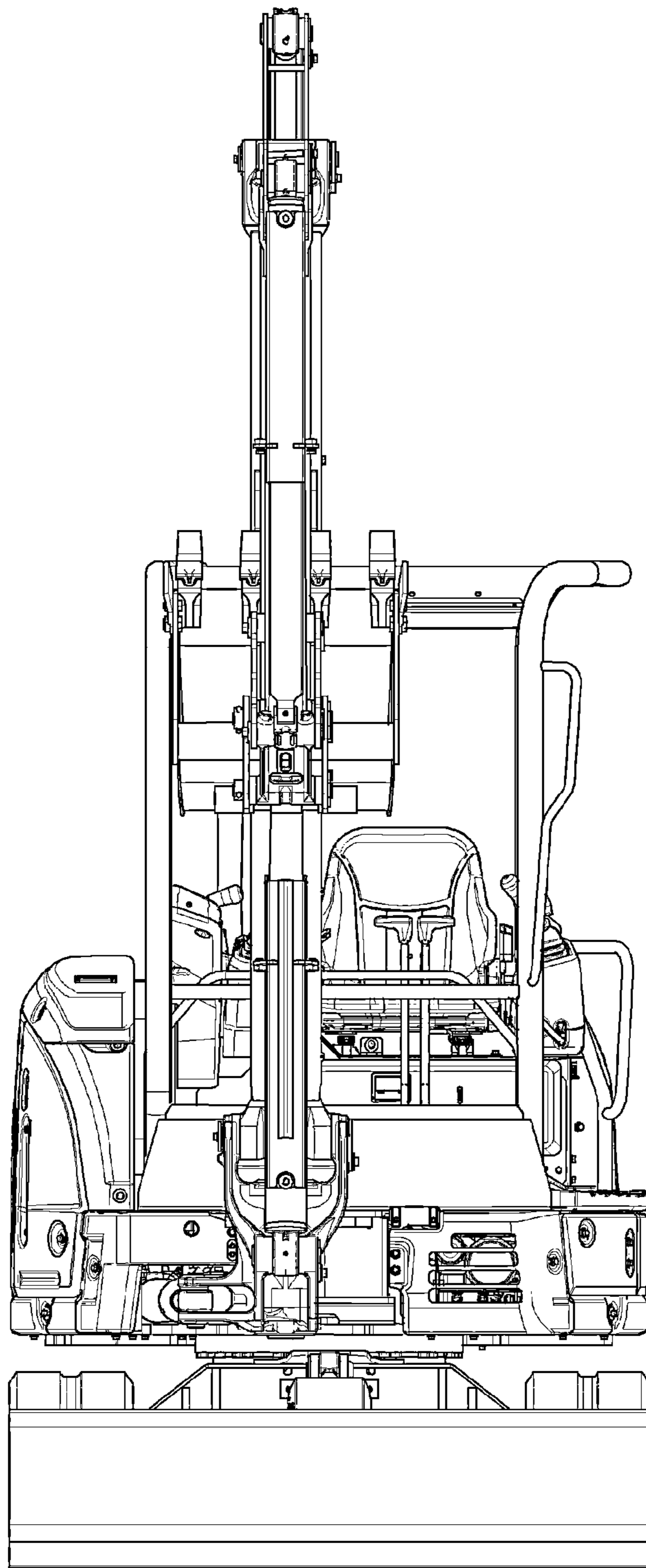


FIG. 3

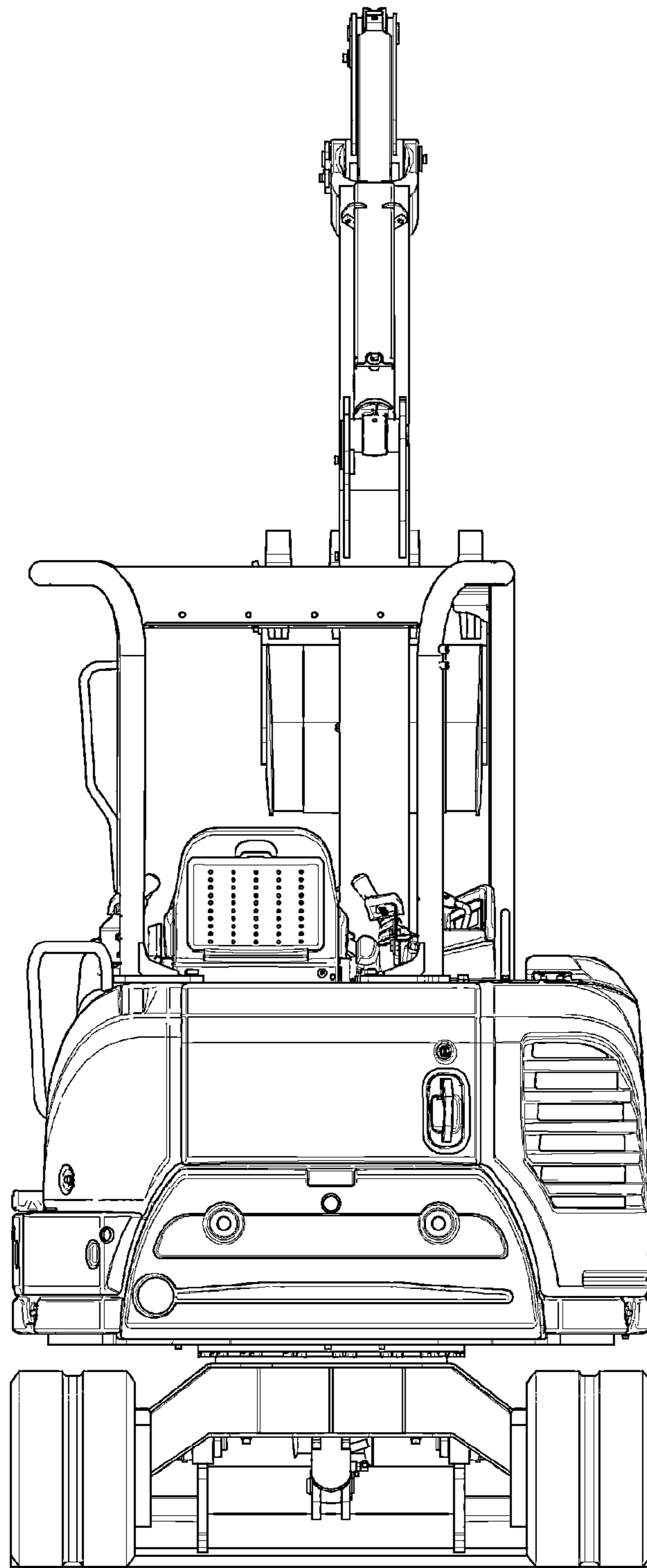


FIG. 4

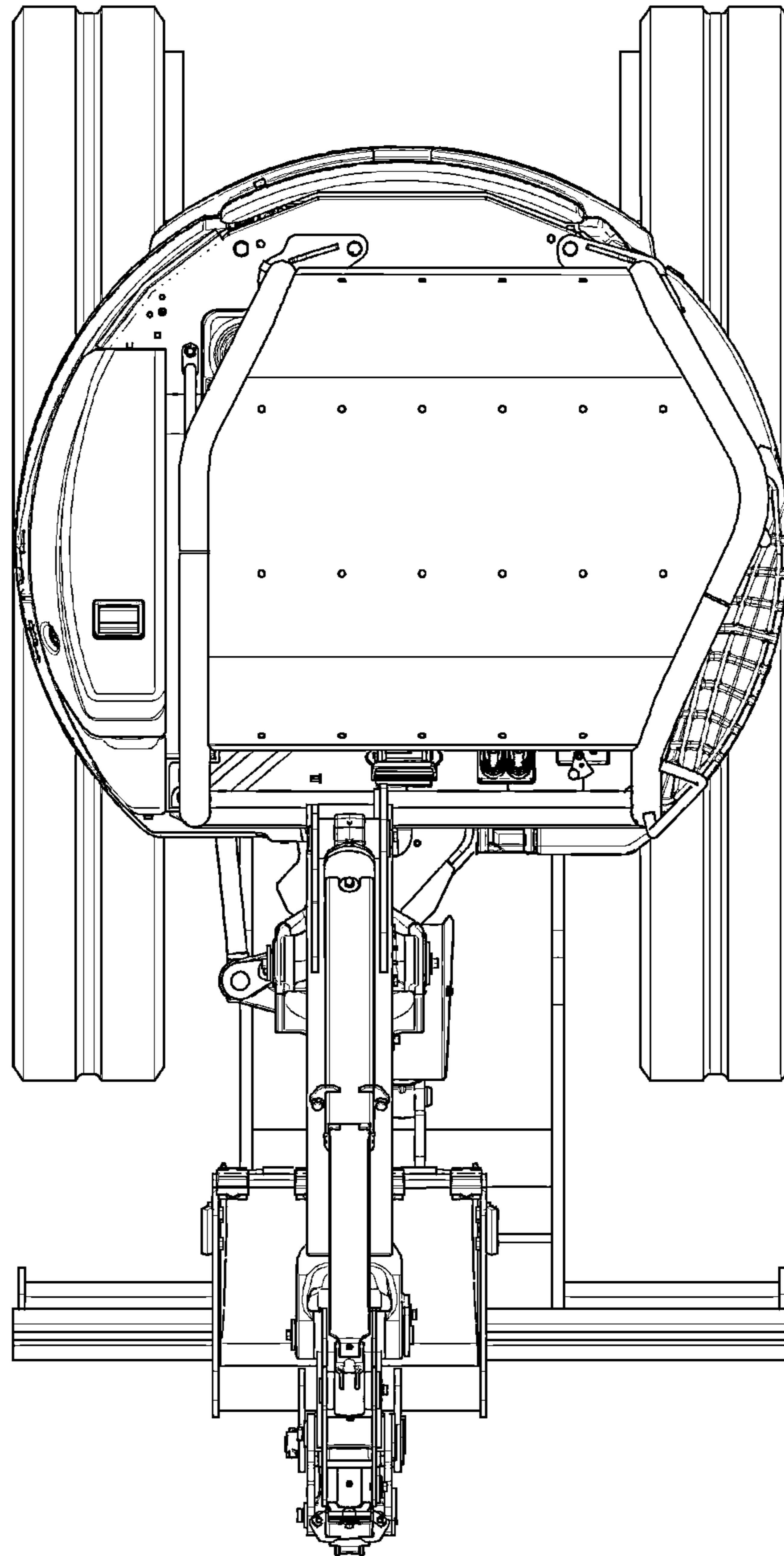


FIG. 5

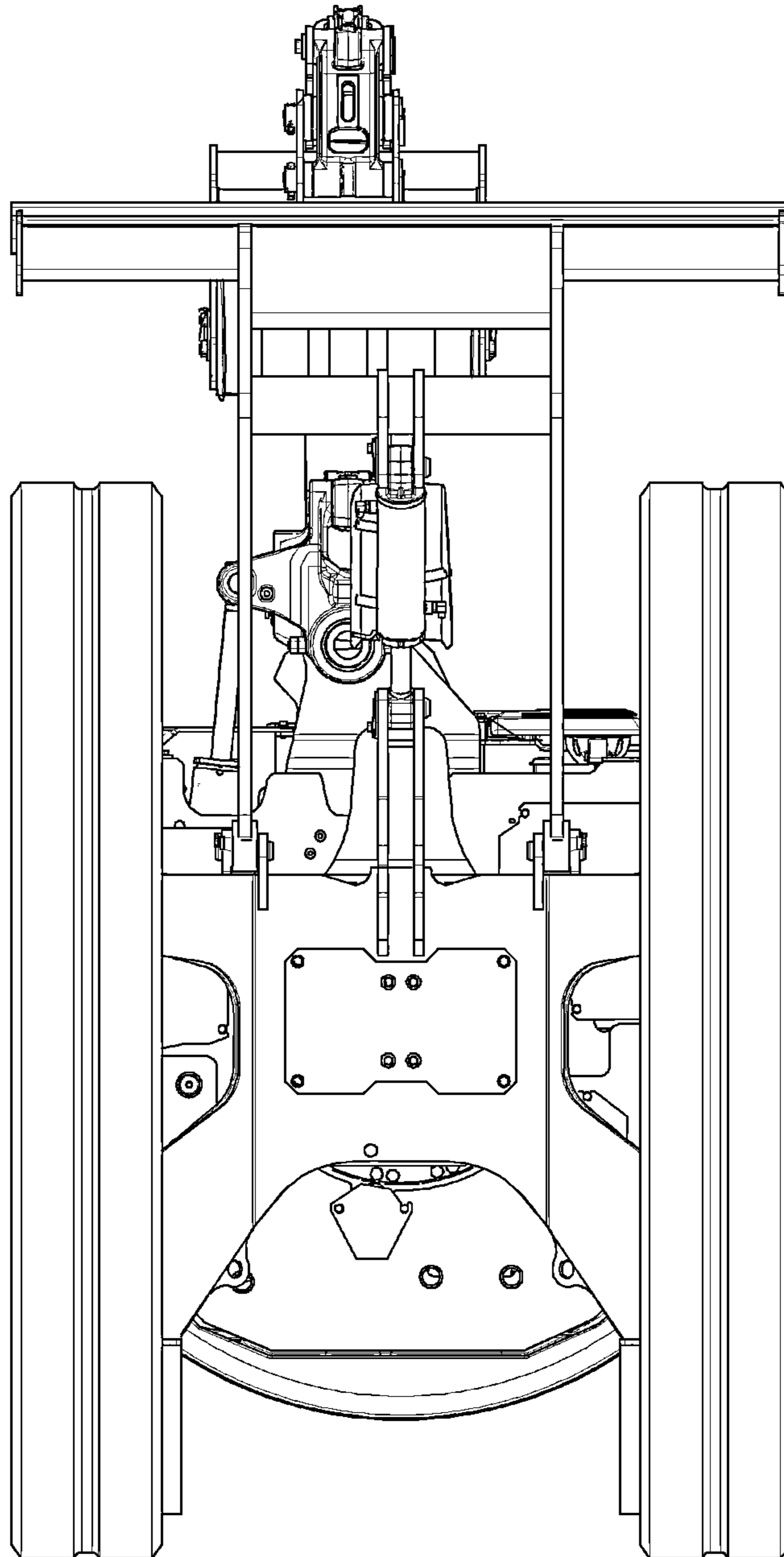


FIG. 6

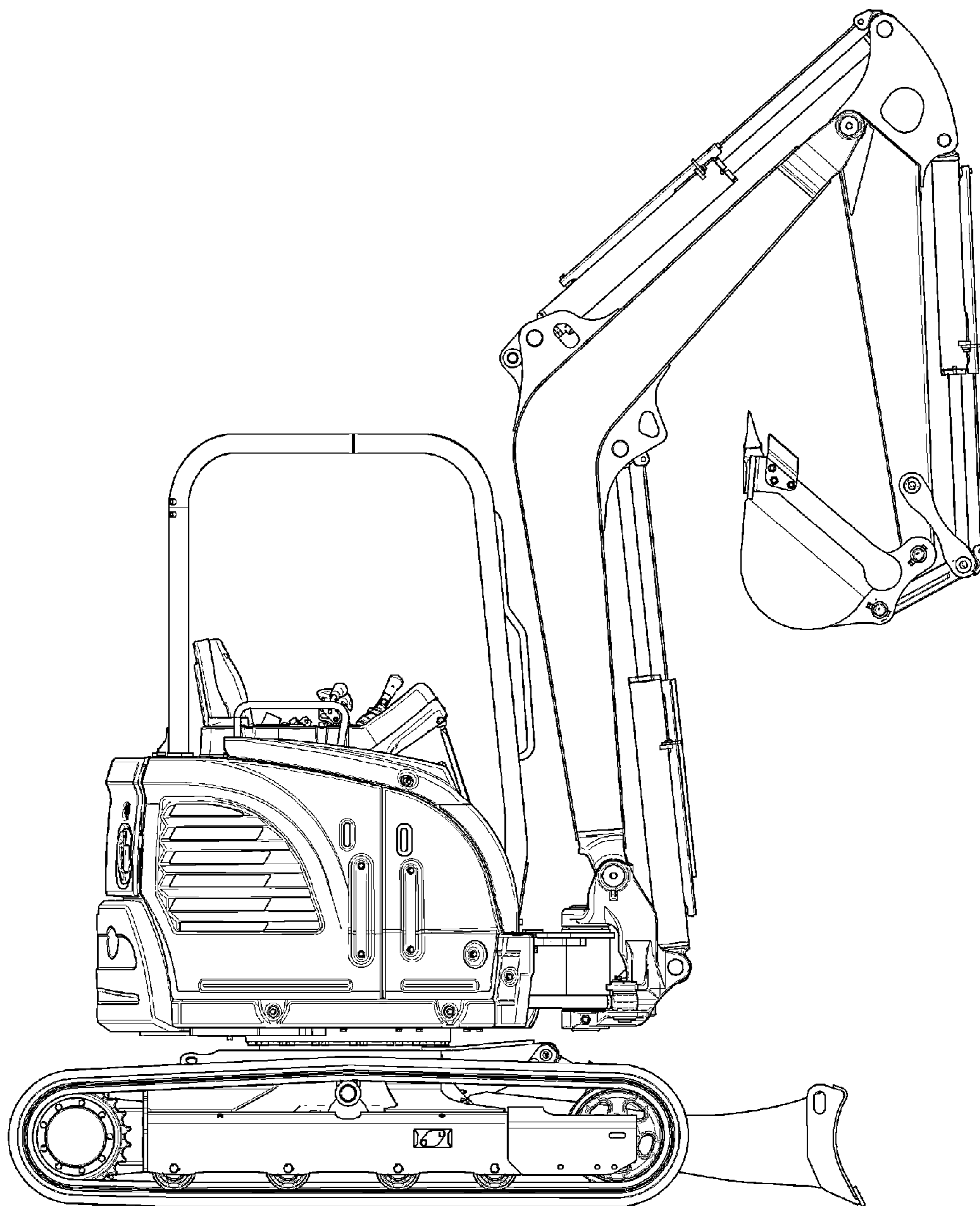


FIG. 7



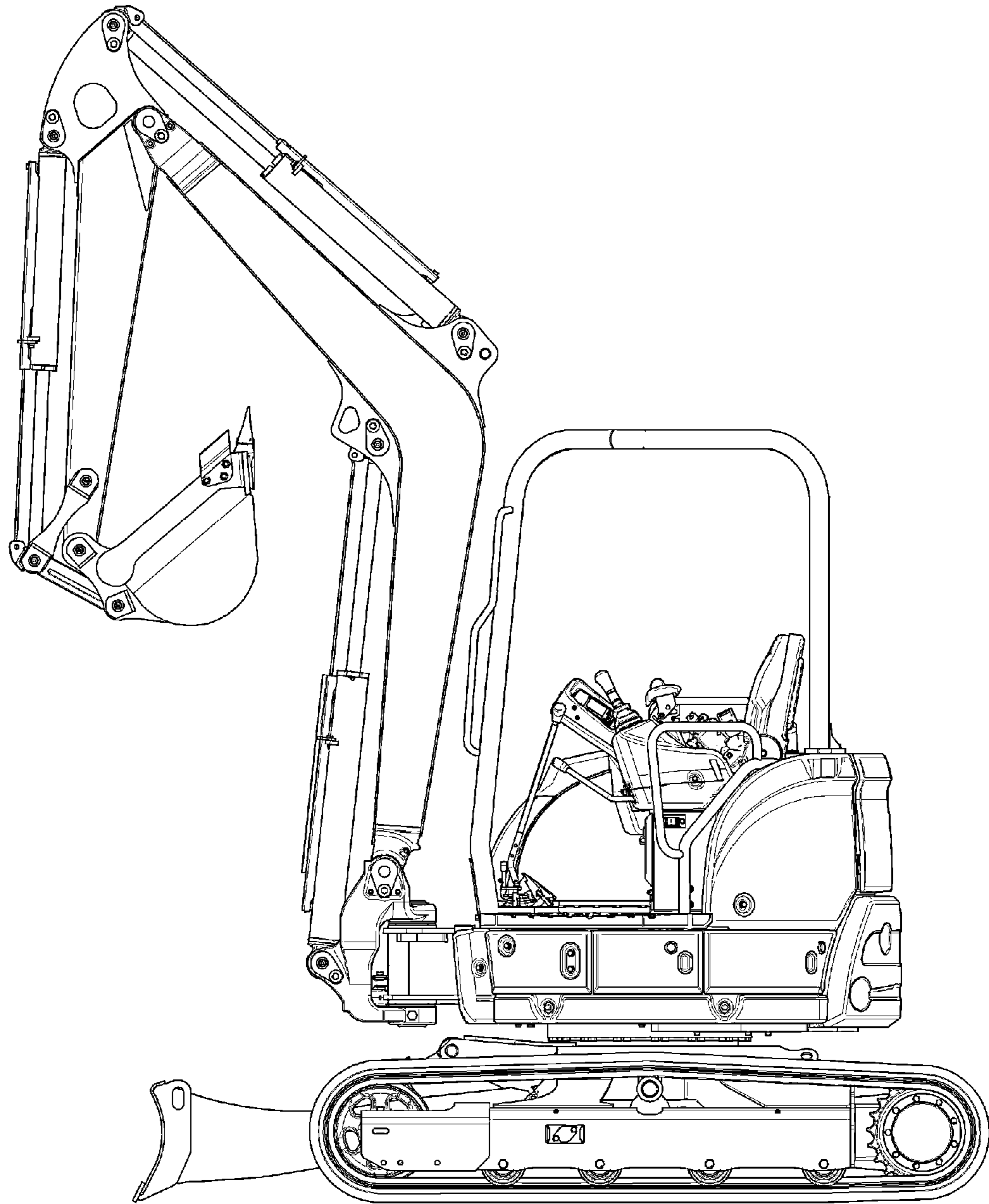


FIG. 8

UNITED STATES PATENT AND TRADEMARK OFFICE  
**CERTIFICATE OF CORRECTION**

PATENT NO. : D687,865 S  
APPLICATION NO. : 29/433167  
DATED : August 13, 2013  
INVENTOR(S) : Hatanaka et al.

Page 1 of 1

It is certified that error appears in the above-identified patent and that said Letters Patent is hereby corrected as shown below:

On the title page insert item --(30) Mar. 27, 2012 (JP) 2012-006998--

Signed and Sealed this  
Twenty-second Day of March, 2016



Michelle K. Lee  
*Director of the United States Patent and Trademark Office*