



US00D687862S

(12) **United States Design Patent**
Drenth

(10) **Patent No.:** **US D687,862 S**

(45) **Date of Patent:** **** Aug. 13, 2013**

(54) **LATCH BODY**

(75) Inventor: **Christopher L. Drenth**, Draper, UT
(US)

(73) Assignee: **Longyear TM, Inc.**, South Jordan, UT
(US)

(**) Term: **14 Years**

(21) Appl. No.: **29/430,535**

(22) Filed: **Aug. 27, 2012**

(51) **LOC (9) Cl.** **15-03**

(52) **U.S. Cl.**
USPC **D15/21**

(58) **Field of Classification Search**
USPC D15/21, 28; 173/137; 166/214,
166/237, 285, 98, 177.4; 175/403, 58, 236,
175/243, 246, 317, 44, 255, 234, 230, 19,
175/249, 285, 258, 72, 251, 247, 244
See application file for complete search history.

(56) **References Cited**

U.S. PATENT DOCUMENTS

2,510,865	A *	6/1950	Cooper	175/403
2,829,868	A *	4/1958	Pickard et al.	175/246
3,092,191	A *	6/1963	Mori et al.	175/226
3,103,981	A *	9/1963	Harper	175/236
3,115,188	A *	12/1963	Cochran et al.	166/332.4
3,126,064	A *	3/1964	Miller	175/246
3,225,845	A *	12/1965	Koontz et al.	175/236
3,346,059	A *	10/1967	Svendsen	175/246
3,363,705	A *	1/1968	Jensen	175/226
3,461,981	A *	8/1969	Linn et al.	175/246
3,494,418	A *	2/1970	Young	166/123
3,543,870	A *	12/1970	Martinsen	175/60
3,667,558	A *	6/1972	Lambot	175/246
3,977,482	A *	8/1976	Reed et al.	175/246
4,418,770	A *	12/1983	Lambot	175/58
4,466,497	A *	8/1984	Soinski et al.	175/246

4,664,204	A *	5/1987	Nenkov et al.	175/44
4,800,969	A *	1/1989	Thompson	175/246
4,823,872	A *	4/1989	Hopmann	166/217
4,832,138	A *	5/1989	Hallez	175/247
4,834,198	A *	5/1989	Thompson	175/244
4,930,587	A *	6/1990	Young et al.	175/251
5,020,612	A *	6/1991	Williams	175/234
5,267,620	A *	12/1993	Lee	175/230
5,311,950	A *	5/1994	Spektor	175/19
5,325,930	A *	7/1994	Harrison	175/246
5,662,182	A *	9/1997	McLeod et al.	175/258

(Continued)

Primary Examiner — Mark Goodwin

(74) *Attorney, Agent, or Firm* — Ballard Spahr LLP

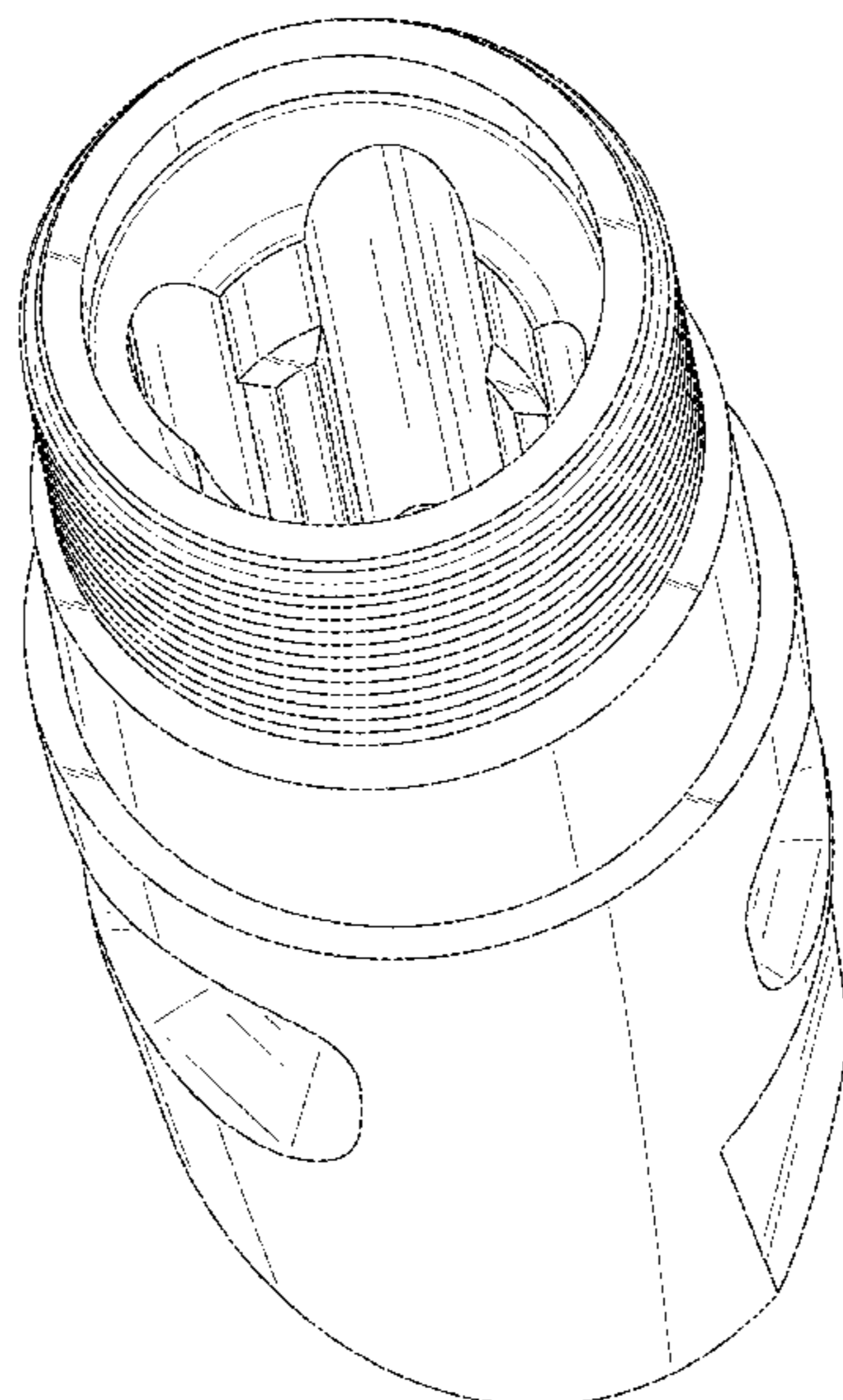
(57) **CLAIM**

The ornamental design for a latch body, as shown and described.

DESCRIPTION

FIG. 1 is a top end perspective view of a latch body showing my new design;
 FIG. 2 is a top side elevational view of the latch body of FIG. 1;
 FIG. 3 is a bottom side elevational view of the latch body of FIG. 1;
 FIG. 4 is a left side elevational view of the latch body of FIG. 1;
 FIG. 5 is a right side elevational view of the latch body of FIG. 1;
 FIG. 6 is a top end view of the latch body of FIG. 1;
 FIG. 7 is a bottom end view of the latch body of FIG. 1;
 FIG. 8 is an enlarged top end view of the latch body of FIG. 1;
 FIG. 9 is an enlarged bottom end view of the latch body of FIG. 1; and,
 FIG. 10 is a bottom end perspective view of the latch body of FIG. 1.

1 Claim, 9 Drawing Sheets



(56)

References Cited

U.S. PATENT DOCUMENTS

5,785,134 A * 7/1998 McLeod et al. 175/258
 5,799,742 A * 9/1998 Soinski et al. 175/236
 D413,126 S * 8/1999 Warren et al. D15/21
 5,934,393 A * 8/1999 Marshall 175/236
 5,992,543 A * 11/1999 Soinski et al. 175/58
 D420,013 S * 2/2000 Warren et al. D15/21
 6,019,181 A * 2/2000 Soinski et al. 175/58
 6,029,758 A * 2/2000 Novacovicci et al. 175/234
 6,039,129 A * 3/2000 McLeod 175/258
 6,059,053 A * 5/2000 McLeod 175/258
 6,089,335 A * 7/2000 Able 175/246
 6,371,205 B1 * 4/2002 Langan et al. 166/285
 6,425,449 B1 * 7/2002 Marshall 175/236
 D468,753 S * 1/2003 Fergusson D15/21
 6,564,885 B2 * 5/2003 Attwater 175/235
 6,708,784 B1 * 3/2004 Borg 175/58
 7,296,638 B2 * 11/2007 Beach et al. 175/44
 7,314,101 B2 * 1/2008 Beach 175/246
 7,730,965 B2 * 6/2010 Jordan et al. 175/5
 D622,293 S * 8/2010 Drenth et al. D15/21
 D622,294 S * 8/2010 Drenth et al. D15/21
 D622,741 S * 8/2010 Drenth et al. D15/21

D624,564 S * 9/2010 Drenth et al. D15/21
 7,841,400 B2 * 11/2010 Wells et al. 166/242.6
 D632,310 S * 2/2011 Coyle, Jr. D15/21
 7,900,716 B2 * 3/2011 Ibrahim et al. 175/55
 7,967,085 B2 * 6/2011 Drenth 175/244
 D643,443 S * 8/2011 Drenth D15/21
 D643,859 S * 8/2011 Drenth D15/21
 D644,668 S * 9/2011 Drenth D15/21
 D647,540 S * 10/2011 Drenth D15/21
 D649,167 S * 11/2011 Drenth D15/21
 8,051,925 B2 * 11/2011 Drenth 175/246
 2005/0034894 A1 * 2/2005 Beach et al. 175/44
 2005/0241825 A1 * 11/2005 Burris et al. 166/255.1
 2009/0032256 A1 * 2/2009 Sun et al. 166/285
 2009/0173542 A1 * 7/2009 Ibrahim et al. 175/55
 2009/0260882 A1 * 10/2009 Drenth 175/57
 2009/0283327 A1 * 11/2009 Drenth et al. 175/58
 2009/0283328 A1 * 11/2009 Drivdahl et al. 175/58
 2010/0012383 A1 * 1/2010 Drenth 175/246
 2011/0079435 A1 * 4/2011 Drenth et al. 175/58
 2011/0079436 A1 * 4/2011 Drenth et al. 175/58
 2011/0083901 A1 * 4/2011 Drenth 175/58
 2011/0198131 A1 * 8/2011 Drenth 175/230

* cited by examiner

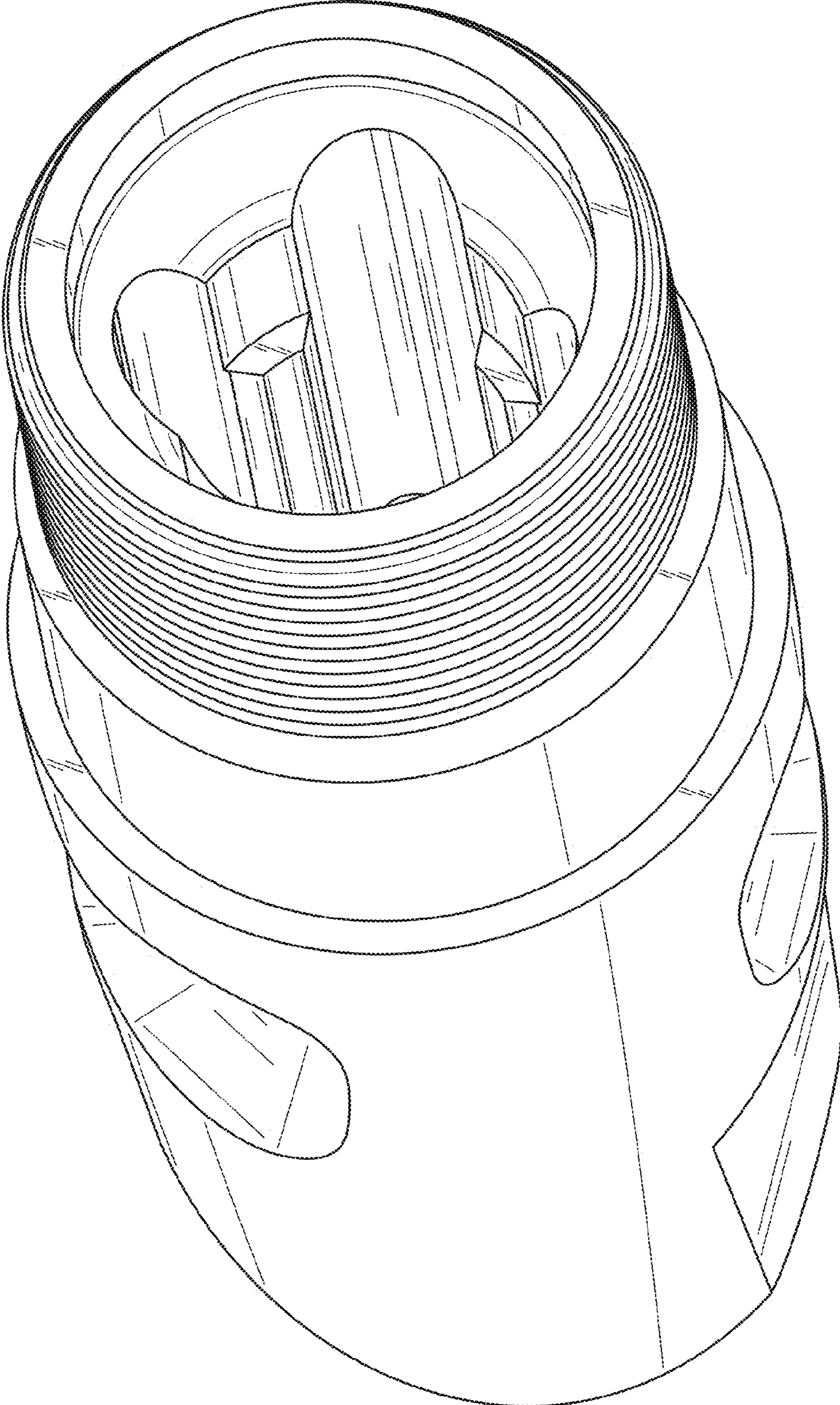


FIG. 1

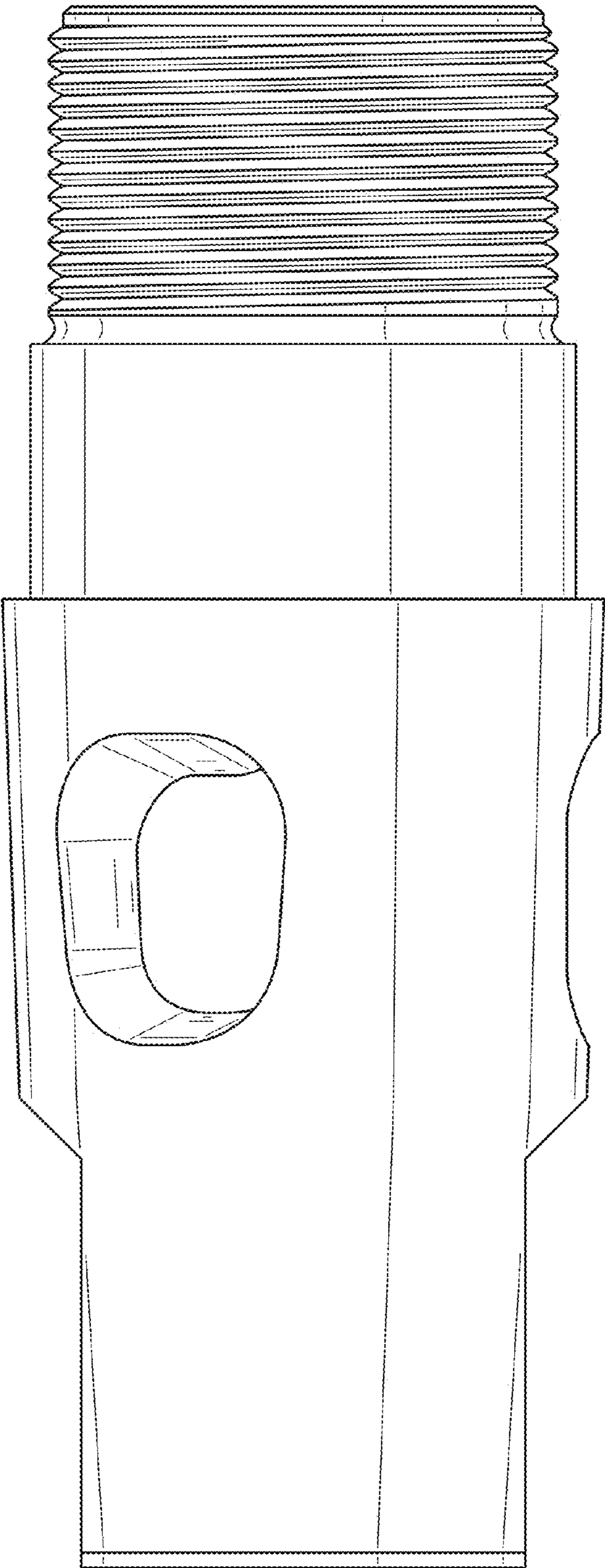


FIG. 2

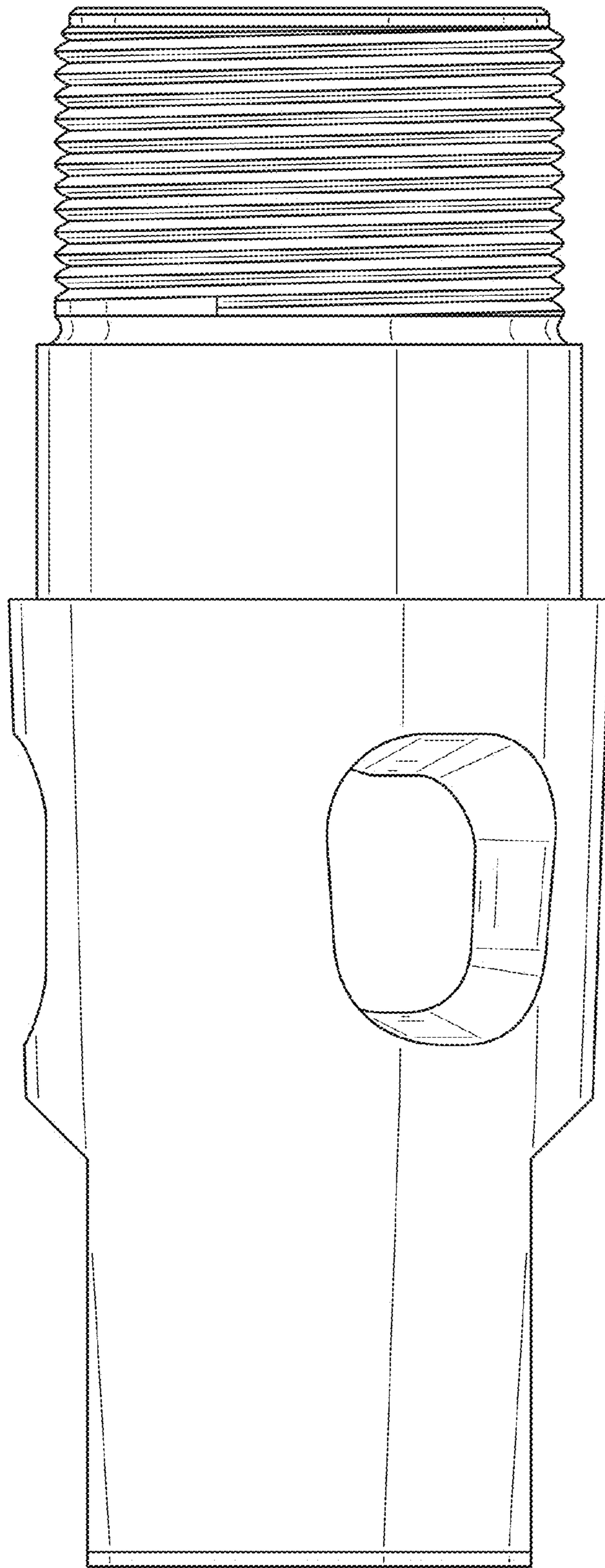


FIG. 3

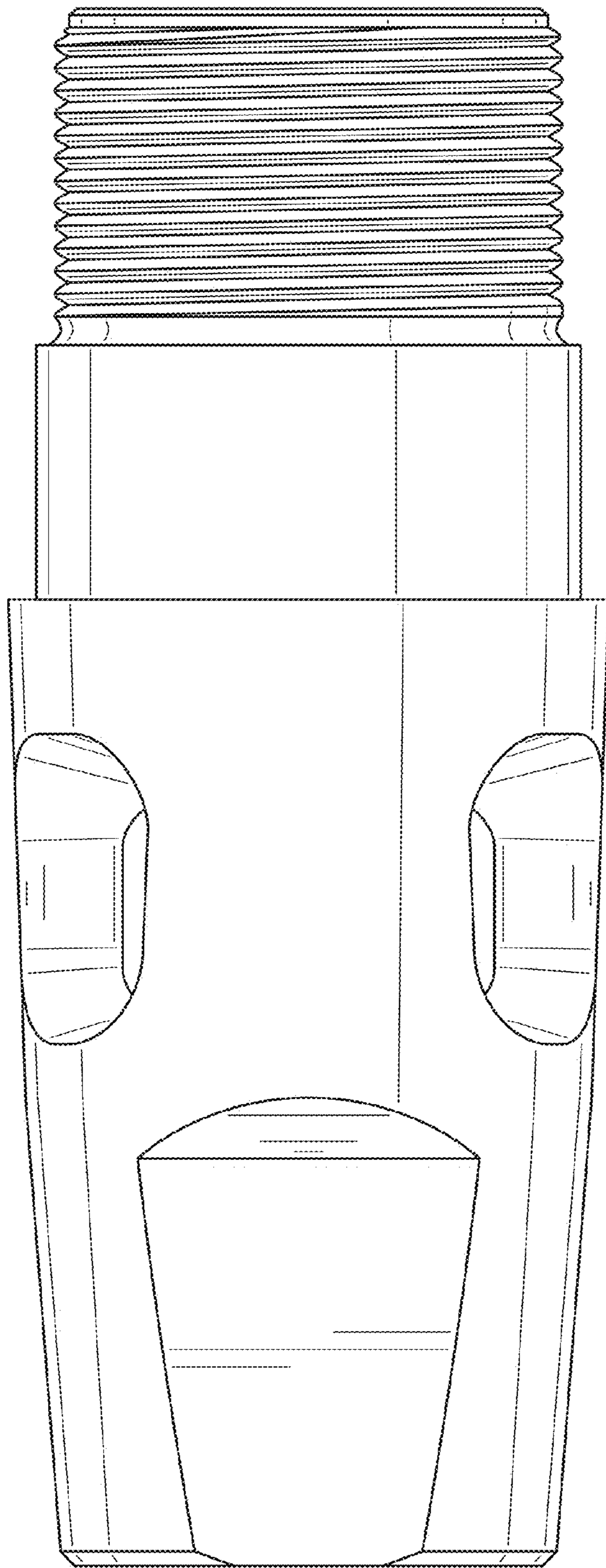


FIG. 4

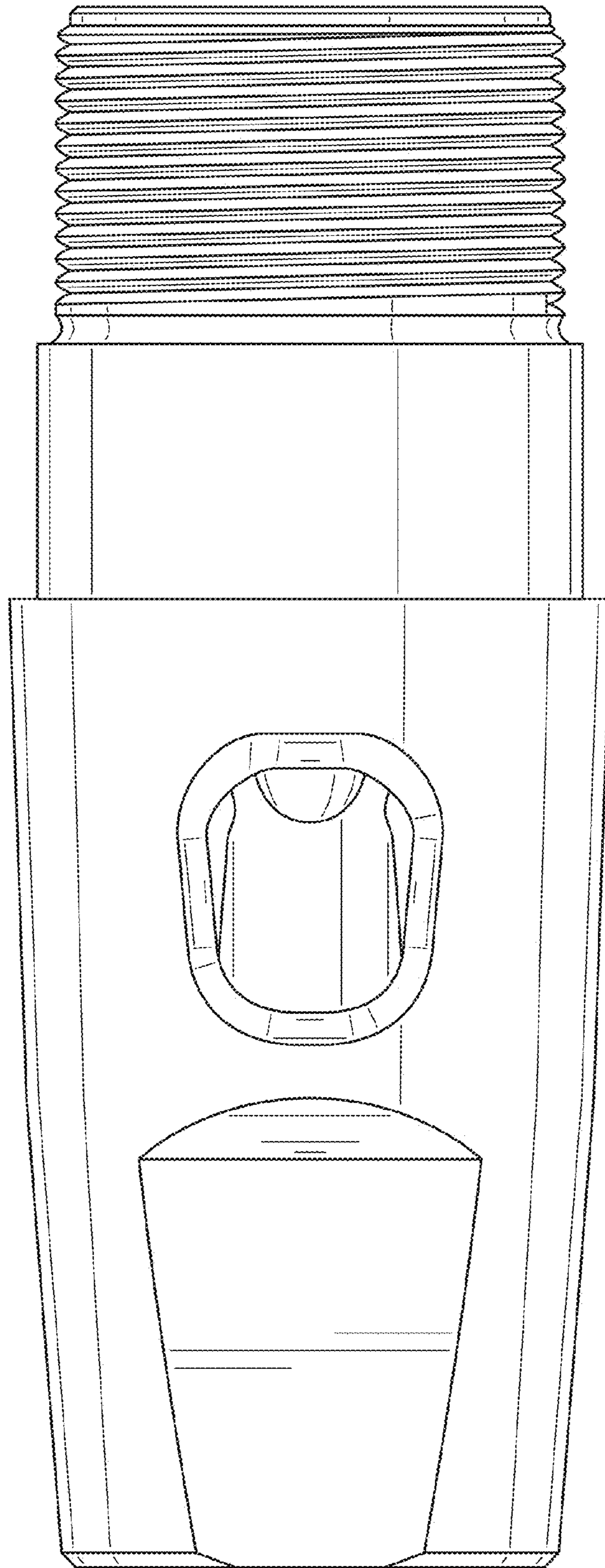


FIG. 5

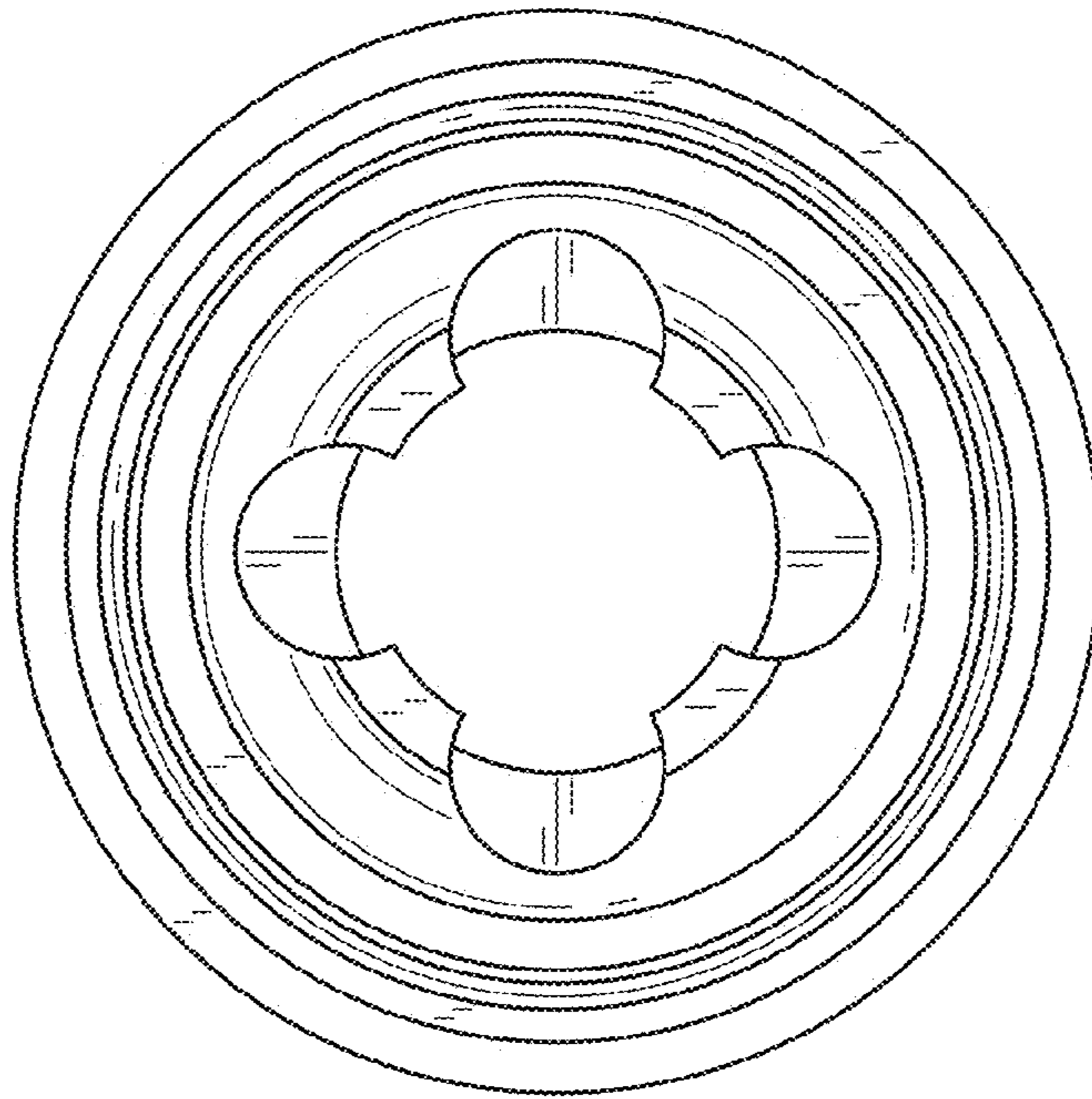


FIG. 6

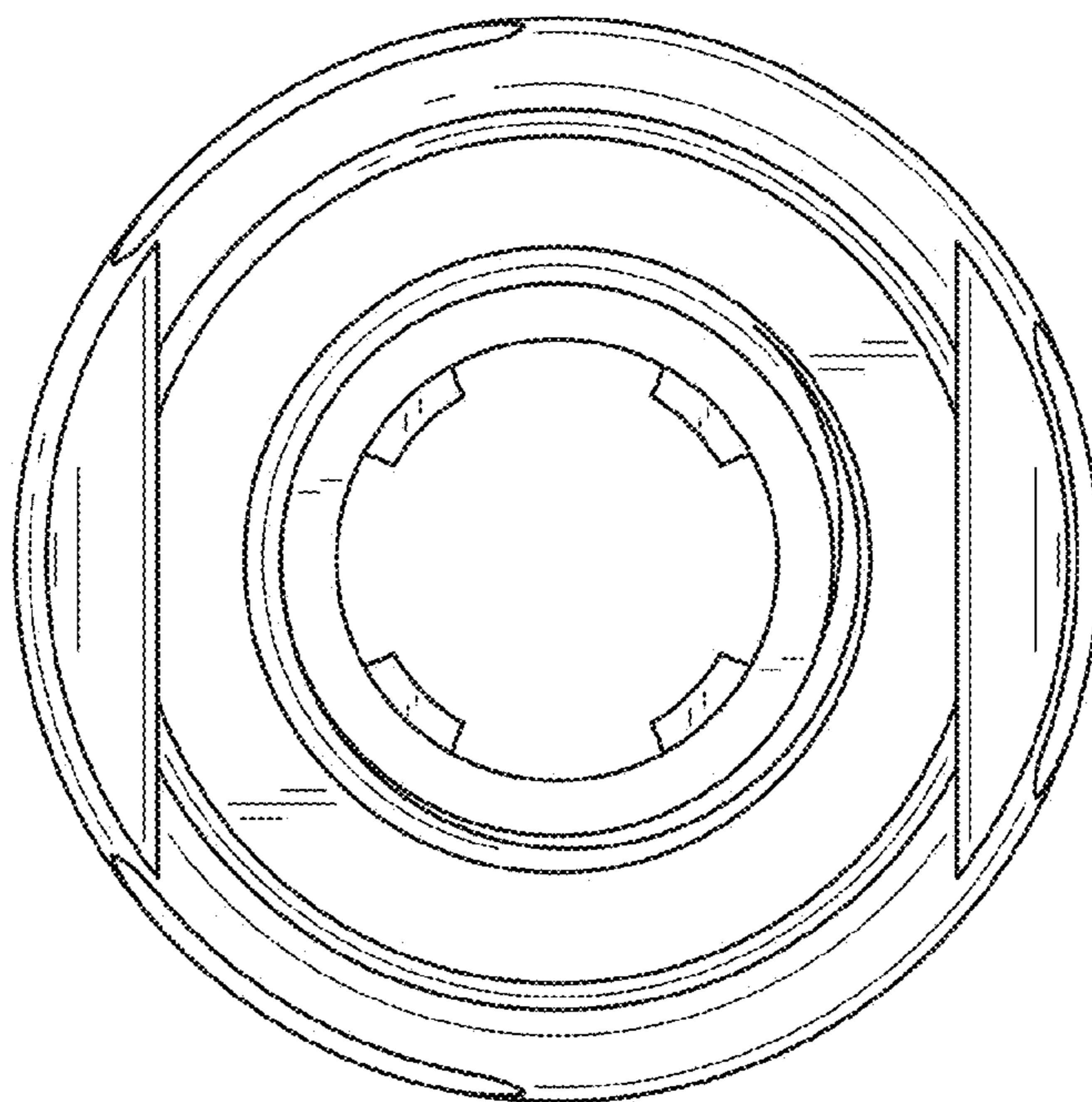


FIG. 7

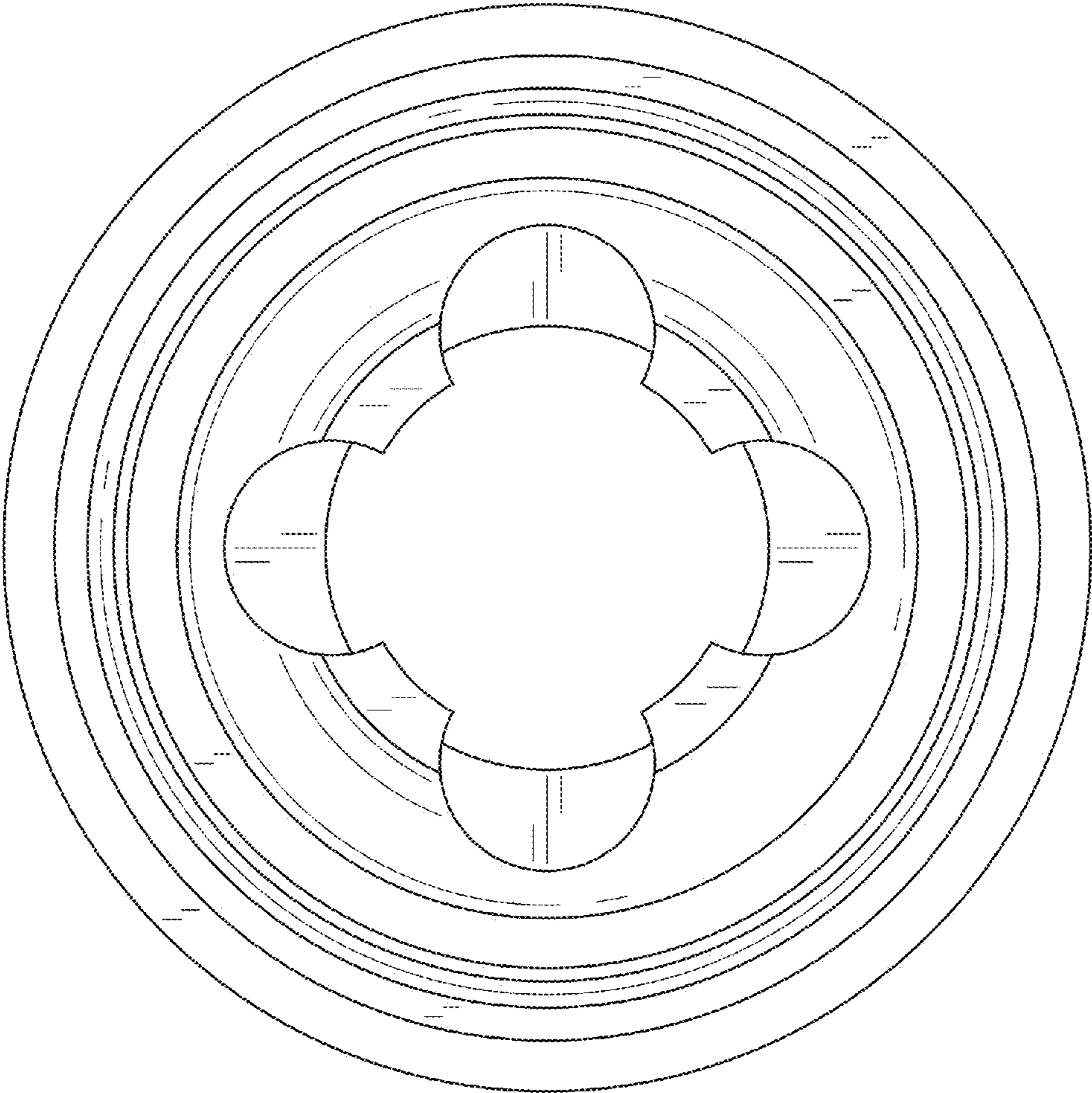


FIG. 8

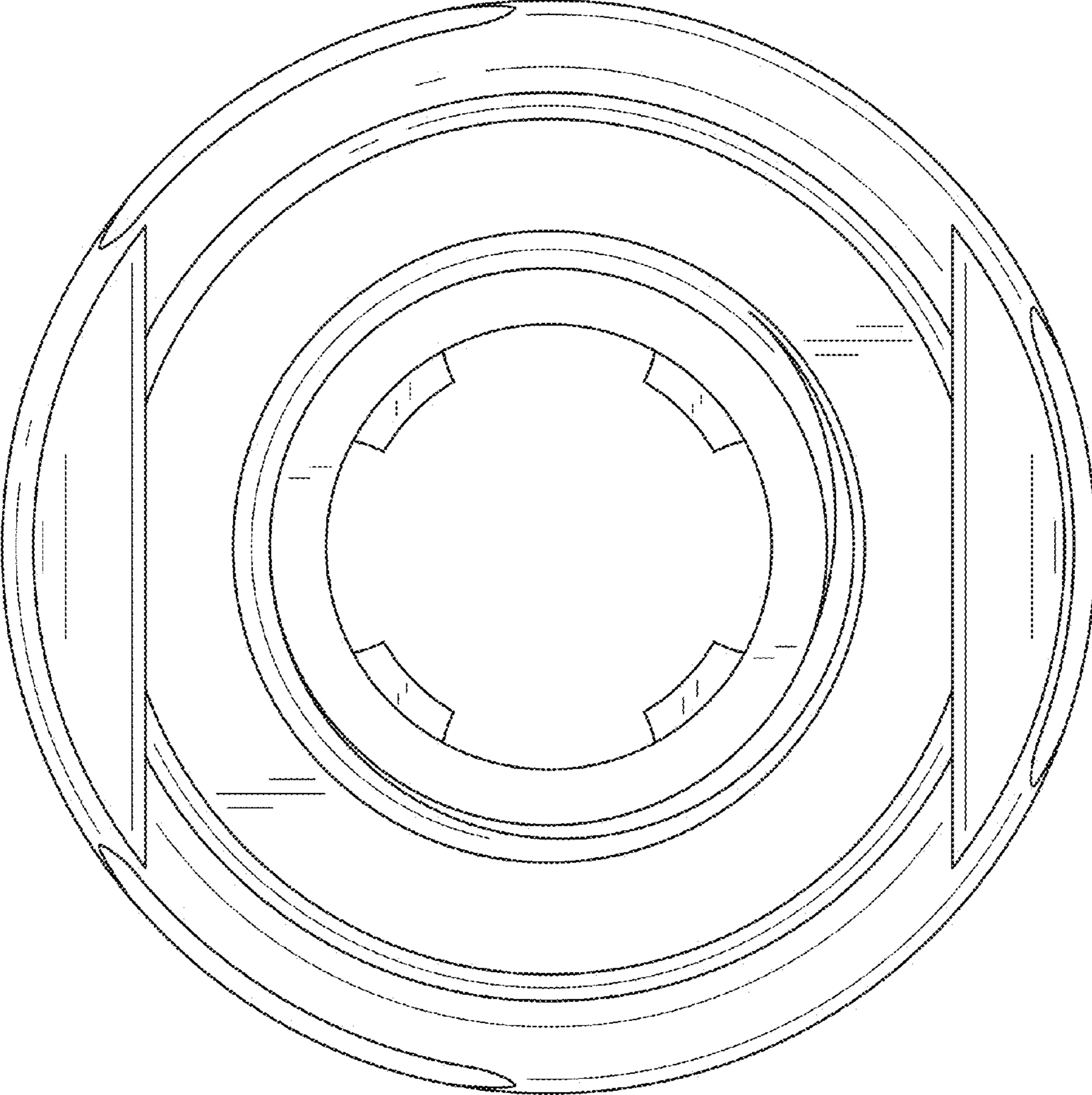


FIG. 9

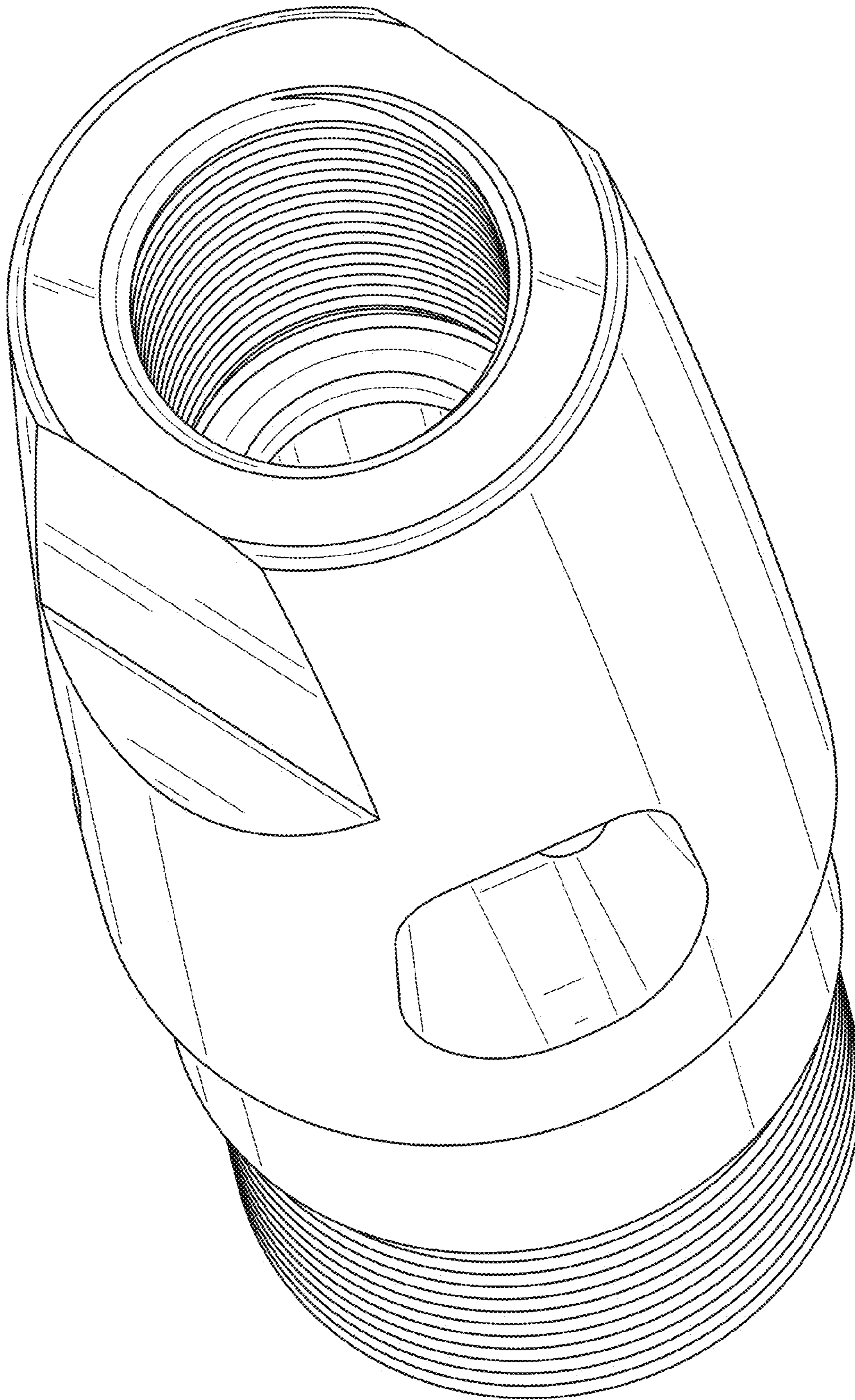


FIG. 10