



US00D687861S

(12) **United States Design Patent**
Ball et al.

(10) **Patent No.:** **US D687,861 S**
(45) **Date of Patent:** **** Aug. 13, 2013**

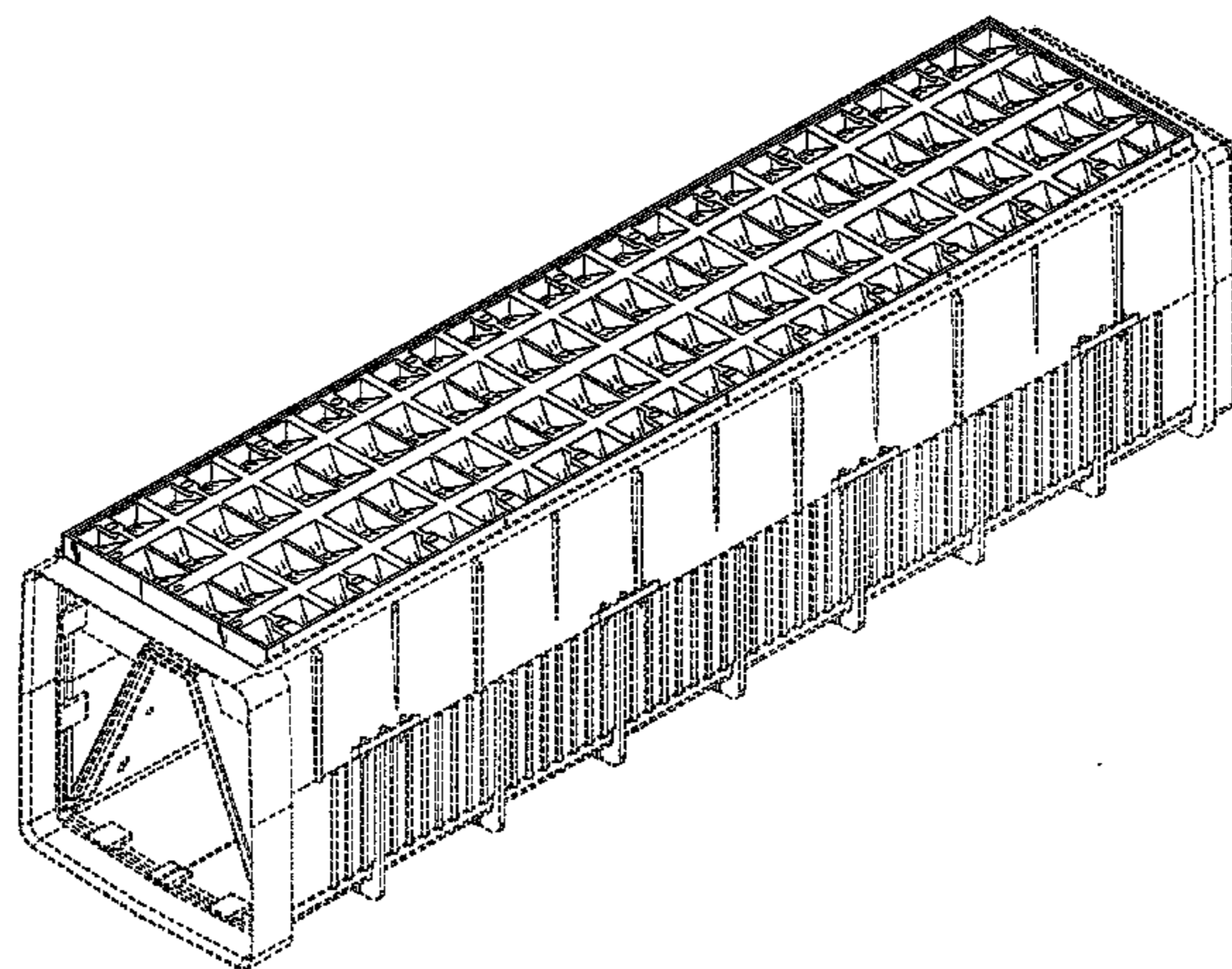
- (54) **FILTER MEDIA RETAINER**
- (75) Inventors: **Christopher J. Ball**, Cranberry Township, PA (US); **Brian Bates**, Cranberry Township, PA (US)
- (73) Assignee: **Xylem Water Solutions Zelenople LLC**, Zelenople, PA (US)
- (**) Term: **14 Years**
- (21) Appl. No.: **29/411,131**
- (22) Filed: **Jan. 17, 2012**
- (51) **LOC (9) Cl.** **15-03**
- (52) **U.S. Cl.**
USPC **D15/21**
- (58) **Field of Classification Search**
USPC D15/21, 28, 199; D23/397, 209, D23/261, 35, 499, 207, 365; D25/35, 48.8, D25/199; 404/4; 210/792, 281, 282, 793, 210/265, 293, 295, 348, 767, 791, 291, 263, 210/274, 275, 279, 292, 163, 164
See application file for complete search history.

4,564,450 A	1/1986	Piper et al.	
RE32,248 E *	9/1986	Blecher	210/163
4,743,382 A	5/1988	Williamson et al.	
4,750,999 A	6/1988	Roberts et al.	
D299,543 S *	1/1989	Phillips	D25/35
4,933,524 A	6/1990	Meurer	
4,940,359 A *	7/1990	Van Duyn et al.	405/118
D312,696 S *	12/1990	Phillips	D25/35
5,019,259 A	5/1991	Hambley	
5,108,627 A	4/1992	Berkebile et al.	
5,116,443 A	5/1992	Meurer	
5,130,016 A *	7/1992	Gavin	210/164
5,149,427 A	9/1992	Brown et al.	
5,232,592 A	8/1993	Brown et al.	
5,269,920 A	12/1993	Brown et al.	
5,332,497 A	7/1994	Shea et al.	
5,489,388 A	2/1996	Brown et al.	
5,529,436 A *	6/1996	Meyers	405/119
D377,389 S *	1/1997	Phillips et al.	D23/261
5,618,421 A *	4/1997	Sorosinski	210/264
5,639,384 A	6/1997	Brown et al.	
5,865,999 A	2/1999	Shea et al.	
5,916,104 A	6/1999	Lucenet et al.	
5,976,370 A	11/1999	Medworth	
D422,061 S *	3/2000	Lee	D23/261
6,090,284 A	7/2000	Melber et al.	
6,190,568 B1	2/2001	Hunkele	
6,387,283 B1	5/2002	Lind	
6,569,328 B1	5/2003	Haggard	
6,797,166 B1	9/2004	Hambley et al.	
6,830,684 B2	12/2004	Stegge	
6,991,726 B2	1/2006	St. Germain	
D519,601 S *	4/2006	Addison	D23/209
7,033,489 B2 *	4/2006	Thompson et al.	210/164
7,063,787 B2	6/2006	Jackson et al.	
7,066,685 B2 *	6/2006	Humphries et al.	405/43
7,090,771 B2	8/2006	Dyson et al.	
D528,193 S *	9/2006	Lee	D23/261
7,138,056 B2	11/2006	Hambley et al.	
7,192,521 B2	3/2007	St. Germain	
7,288,193 B2	10/2007	Roberts et al.	
7,326,351 B2	2/2008	Hambley et al.	
D565,148 S *	3/2008	Addison	D23/209
D572,358 S *	7/2008	Nattrass et al.	D23/397
7,410,578 B2	8/2008	Hambley et al.	
7,481,930 B2	1/2009	Roberts	
7,494,592 B2	2/2009	Deskins	
7,556,236 B2 *	7/2009	Slappay	249/66.1
7,736,506 B2	6/2010	Roberts et al.	
7,754,089 B2	7/2010	Roberts	
7,820,043 B2	10/2010	Roberts et al.	
D628,267 S *	11/2010	Dittmann et al.	D23/209
7,897,040 B2	3/2011	Newcombe et al.	

(56) **References Cited**

U.S. PATENT DOCUMENTS

1,773,417 A *	8/1930	Whitacre	210/293
2,874,844 A *	2/1959	Wanner	210/150
3,456,804 A *	7/1969	McGivern	210/292
3,613,888 A	10/1971	Harris	
3,632,978 A	1/1972	Boze et al.	
3,762,559 A	10/1973	Knoy et al.	
3,831,761 A	8/1974	Chantereau	
3,840,117 A	10/1974	Ross	
RE28,458 E	7/1975	Ross	
3,956,134 A	5/1976	Sturgill	
4,013,021 A *	3/1977	Steinlein et al.	108/57.25
4,065,391 A	12/1977	Farabaugh	
4,082,664 A	4/1978	Lindstol	
4,191,652 A	3/1980	Whitmore	
4,196,079 A	4/1980	Ward	
4,331,542 A	5/1982	Emrie	
4,340,478 A *	7/1982	Stannard et al.	210/286
4,367,142 A *	1/1983	Blecher	210/163
4,478,726 A	10/1984	Moore	



7,922,903	B2	4/2011	Roberts et al.	
8,052,870	B2 *	11/2011	Roberts et al.	210/232
8,123,436	B2 *	2/2012	Larach	405/36
D655,803	S *	3/2012	Platt	D23/365
D655,804	S *	3/2012	Platt	D23/365
D657,858	S *	4/2012	Platt	D23/365
D657,859	S *	4/2012	Platt	D23/365
8,343,343	B2 *	1/2013	Kadokia et al.	210/232
2003/0118404	A1 *	6/2003	Lee	405/43
2004/0000512	A1 *	1/2004	Germain	210/293
2004/0238424	A1 *	12/2004	Thompson et al.	210/163
2005/0194302	A1	9/2005	Roberts et al.	
2005/0232701	A1 *	10/2005	Humphries et al.	405/43
2006/0086653	A1 *	4/2006	St. Germain	210/293
2007/0175832	A1	8/2007	Roberts	
2007/0217866	A1 *	9/2007	Oscar	405/36
2008/0073256	A1	3/2008	Tezuka et al.	
2008/0099411	A1	5/2008	Roberts et al.	
2008/0110817	A1	5/2008	Sugiura et al.	
2008/0216437	A1 *	9/2008	Prevost et al.	52/589.1
2009/0001011	A1	1/2009	Knipmeyer et al.	
2009/0071909	A1	3/2009	Newcombe et al.	
2009/0071914	A1	3/2009	Roberts et al.	
2010/0078394	A1	4/2010	Bennett	
2011/0073549	A1 *	3/2011	Geibel et al.	210/793

* cited by examiner

Primary Examiner — Mark Goodwin

(74) Attorney, Agent, or Firm — The Webb Law Firm, P.C.

(57) **CLAIM**

The ornamental design for a filter media retainer, as shown and described.

DESCRIPTION

FIG. 1 is a perspective view of a filter media retainer in accordance with an embodiment of the present invention engaged with an underdrain assembly.

FIG. 2 is an exploded, perspective view of the filter media retainer of FIG. 1 in accordance with an embodiment of the present invention, an underdrain assembly, and a plurality of fasteners.

FIG. 3 is a perspective view of the filter media retainer of FIG. 1 in accordance with an embodiment of the present invention.

FIG. 4 is a detailed, enlarged fragmentary perspective view of a plurality of compartments of the filter media retainer of FIG. 3 taken along section 4-7 in accordance with an embodiment of the present invention.

FIG. 5 is a detailed, enlarged fragmentary plan view of a plurality of compartments of the filter media retainer of FIG. 3 taken along section 4-7 in accordance with an embodiment of the present invention.

FIG. 6 is a detailed, enlarged fragmentary bottom view of a plurality of compartments of the filter media retainer of FIG. 3 taken along section 4-7 in accordance with an embodiment of the present invention.

FIG. 7 is a detailed, enlarged fragmentary bottom view of a plurality of compartments of the filter media retainer of FIG. 3 taken along section 4-7 in accordance with another embodiment of the present invention.

FIG. 8 is a front view and rear view of the filter media retainer of FIG. 3 in accordance with an embodiment of the present invention.

FIG. 9 is a right side view and left side view of the filter media retainer of FIG. 3 in accordance with an embodiment of the present invention.

FIG. 10 is a cross-sectional view of the filter media retainer of FIG. 3 taken along line 10-10 in accordance with an embodiment of the present invention.

FIG. 11 is a perspective view of a filter media retainer in accordance with another embodiment of the present invention engaged with an underdrain assembly.

FIG. 12 is an exploded, perspective view of the filter media retainer of FIG. 11 in accordance with an embodiment of the present invention, an underdrain assembly, and a plurality of fasteners.

FIG. 13 is a perspective view of the filter media retainer of FIG. 11 in accordance with an embodiment of the present invention.

FIG. 14 is a detailed, enlarged fragmentary perspective view of a plurality of compartments of the filter media retainer of FIG. 13 taken along section 14-17 in accordance with an embodiment of the present invention.

FIG. 15 is a detailed, enlarged fragmentary plan view of a plurality of compartments of the filter media retainer of FIG. 13 taken along section 14-17 in accordance with an embodiment of the present invention.

FIG. 16 is a detailed, enlarged fragmentary bottom view of a plurality of compartments of the filter media retainer of FIG. 13 taken along section 14-17 in accordance with an embodiment of the present invention.

FIG. 17 is a detailed, enlarged fragmentary bottom view of a plurality of compartments of the filter media retainer of FIG. 13 taken along section 14-17 in accordance with another embodiment of the present invention.

FIG. 18 is a front view and rear view of the filter media retainer of FIG. 13 in accordance with an embodiment of the present invention.

FIG. 19 is a right side view and left side view of the filter media retainer of FIG. 13 in accordance with an embodiment of the present invention; and,

FIG. 20 is a cross-sectional view of the filter media retainer of FIG. 13 taken along line 20-20 in accordance with an embodiment of the present invention.

The broken lines of the underdrain assembly shown in FIG. 1 and FIG. 11 are provided for the purpose of showing environment only, and form no portion of the claimed design.

The broken lines of the underdrain assembly and the broken lines of the plurality of fasteners shown in FIG. 2 and FIG. 12 are provided for the purpose of showing environment only, and form no portion of the claimed design.

1 Claim, 14 Drawing Sheets

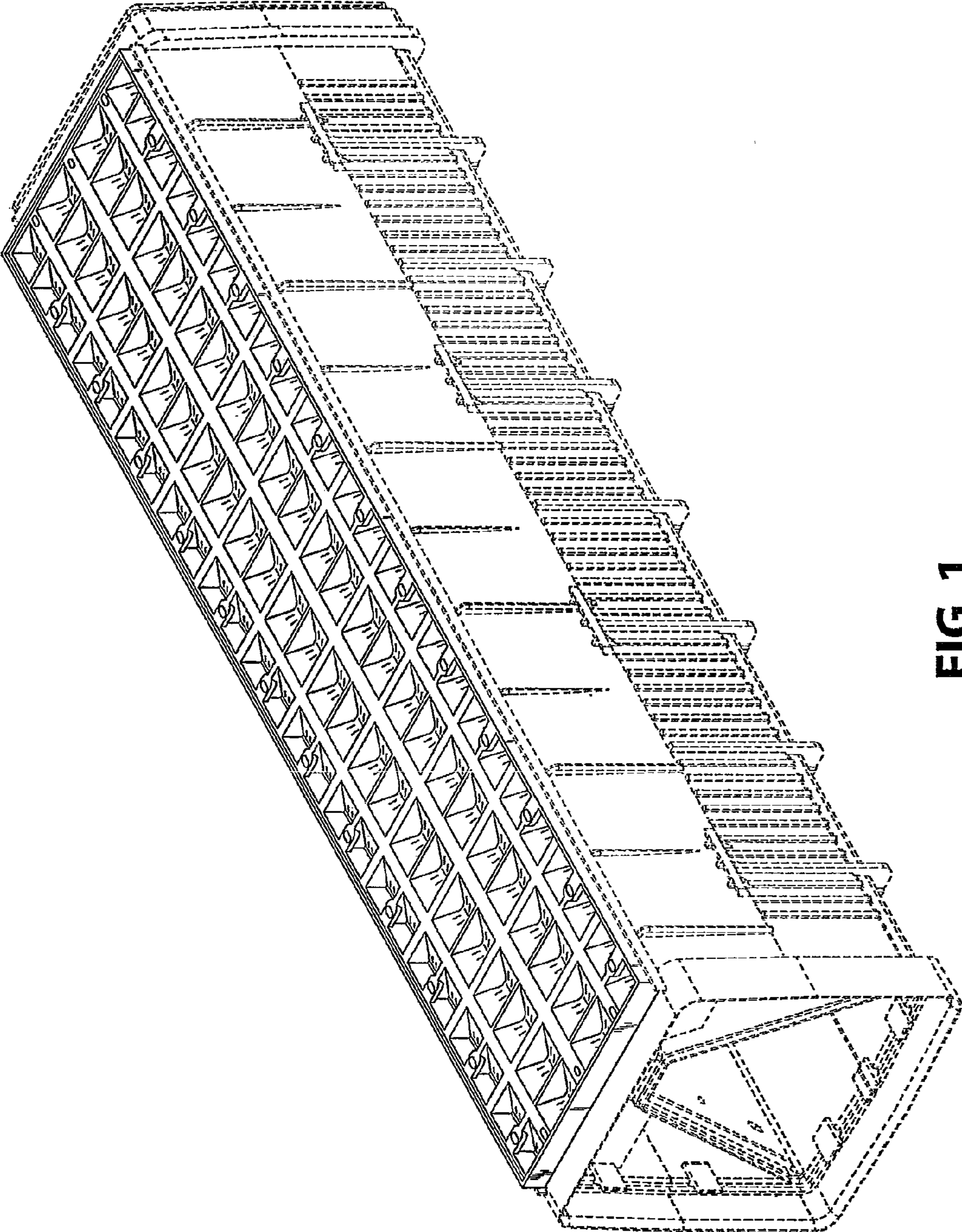


FIG. 1

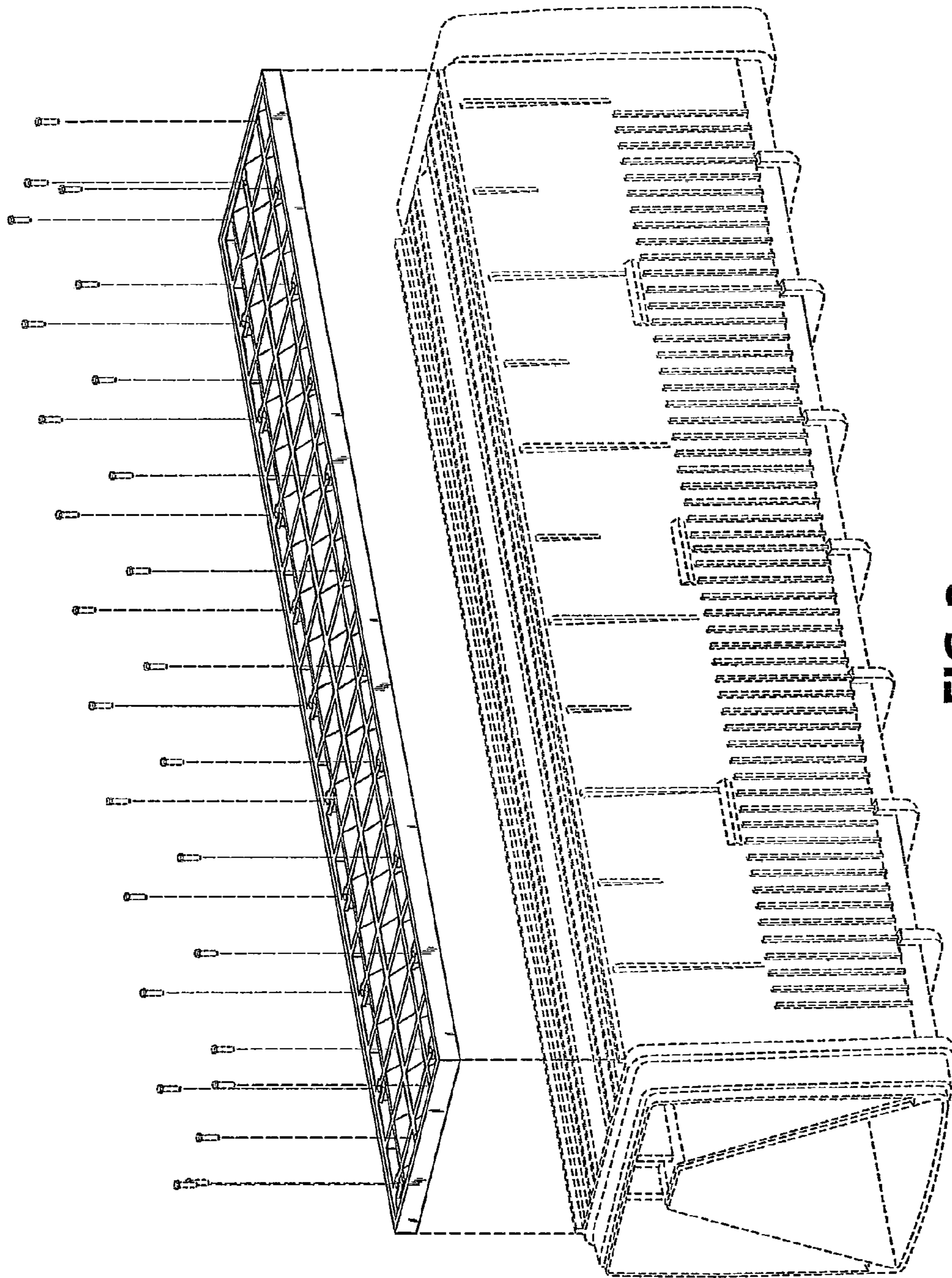


FIG. 2

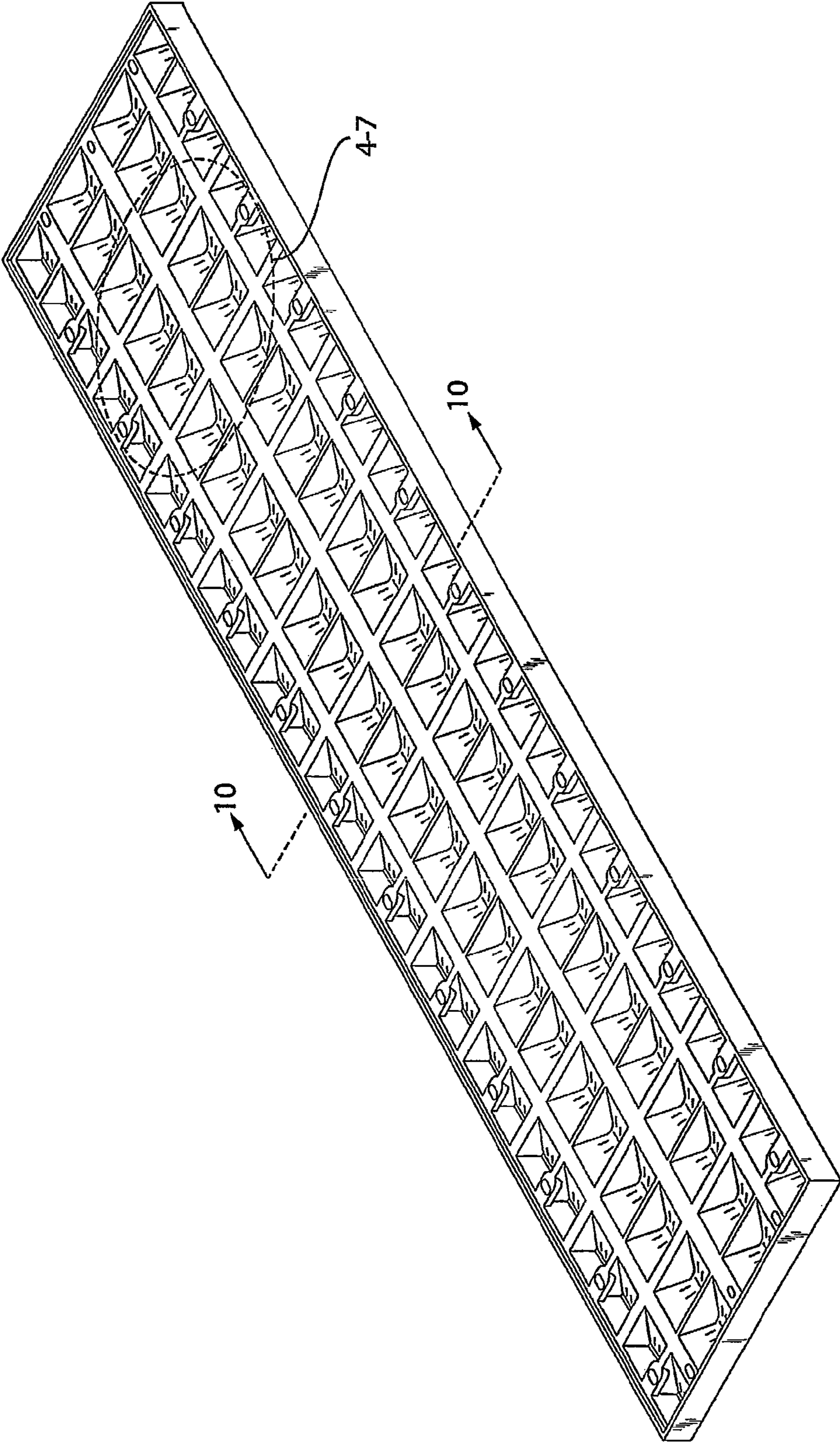


FIG. 3

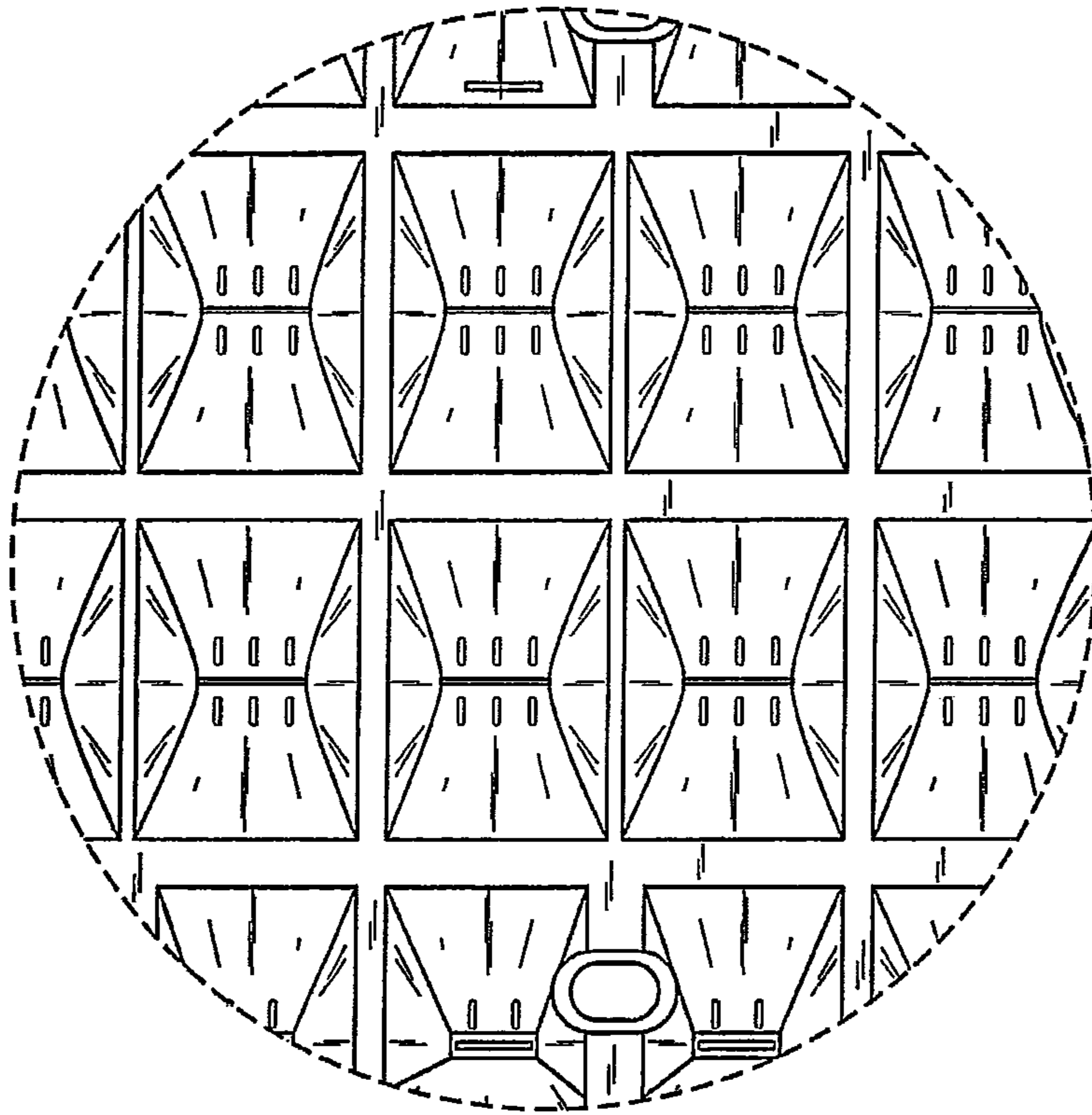


FIG. 5

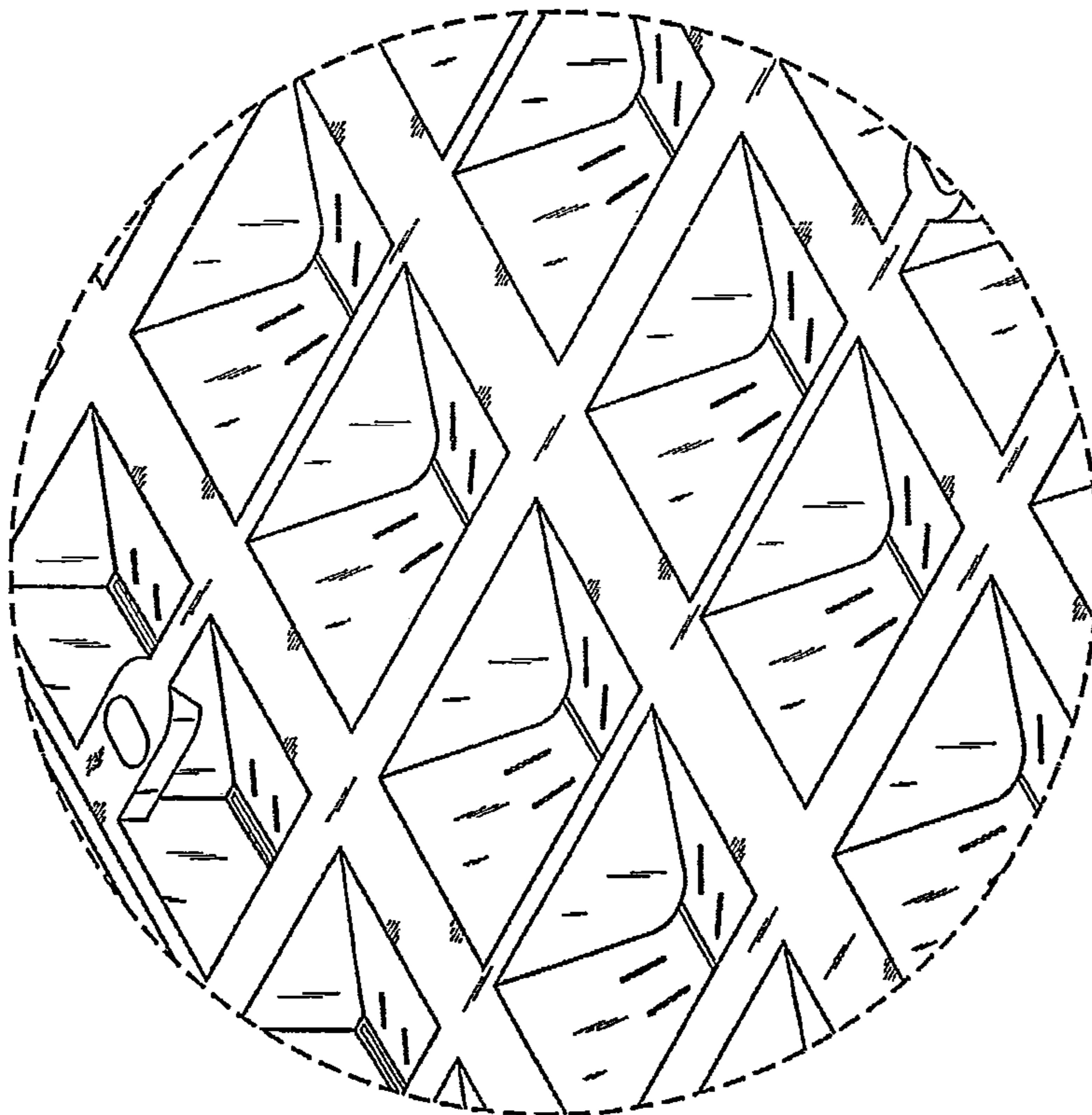


FIG. 4

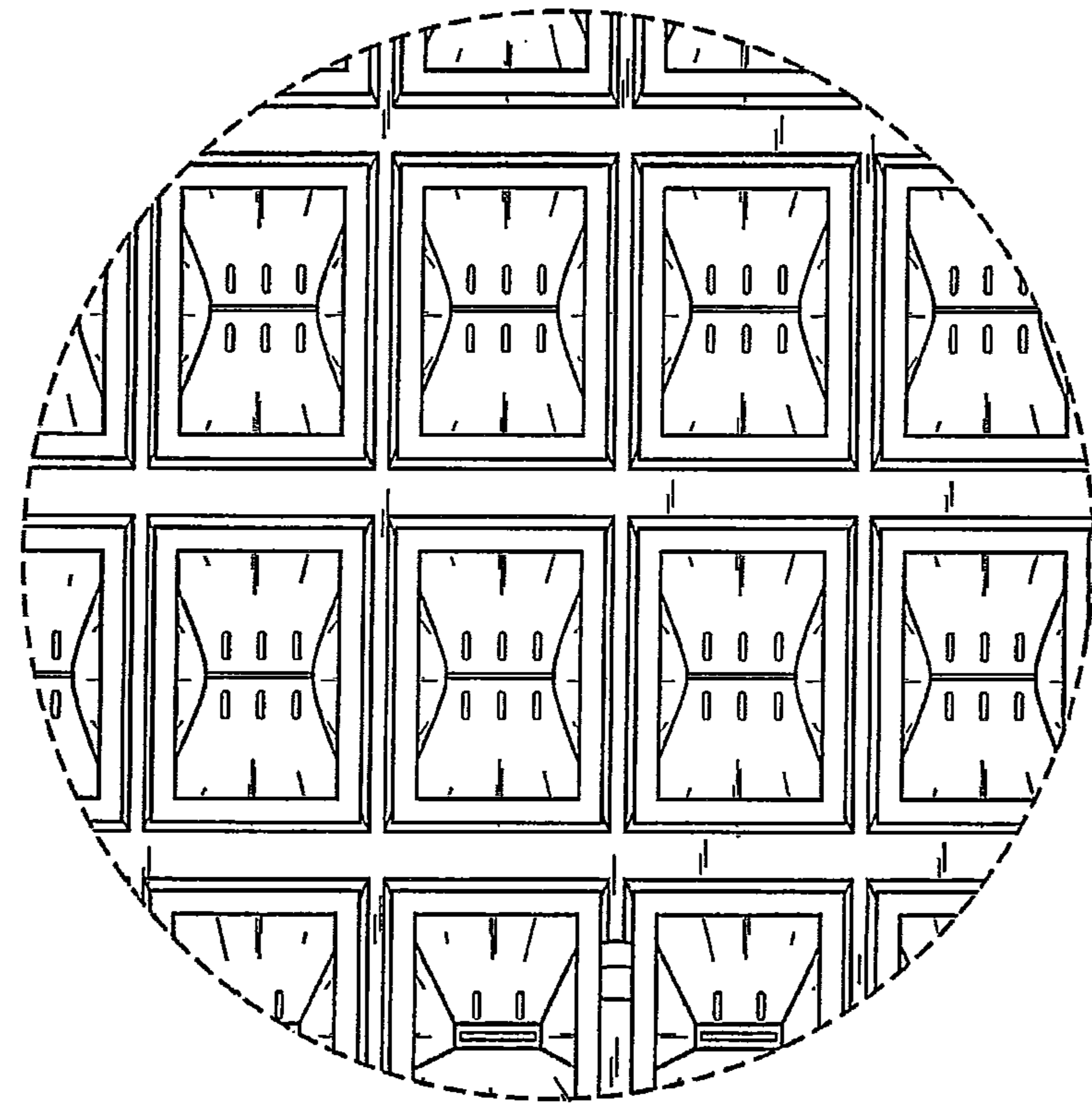


FIG. 7

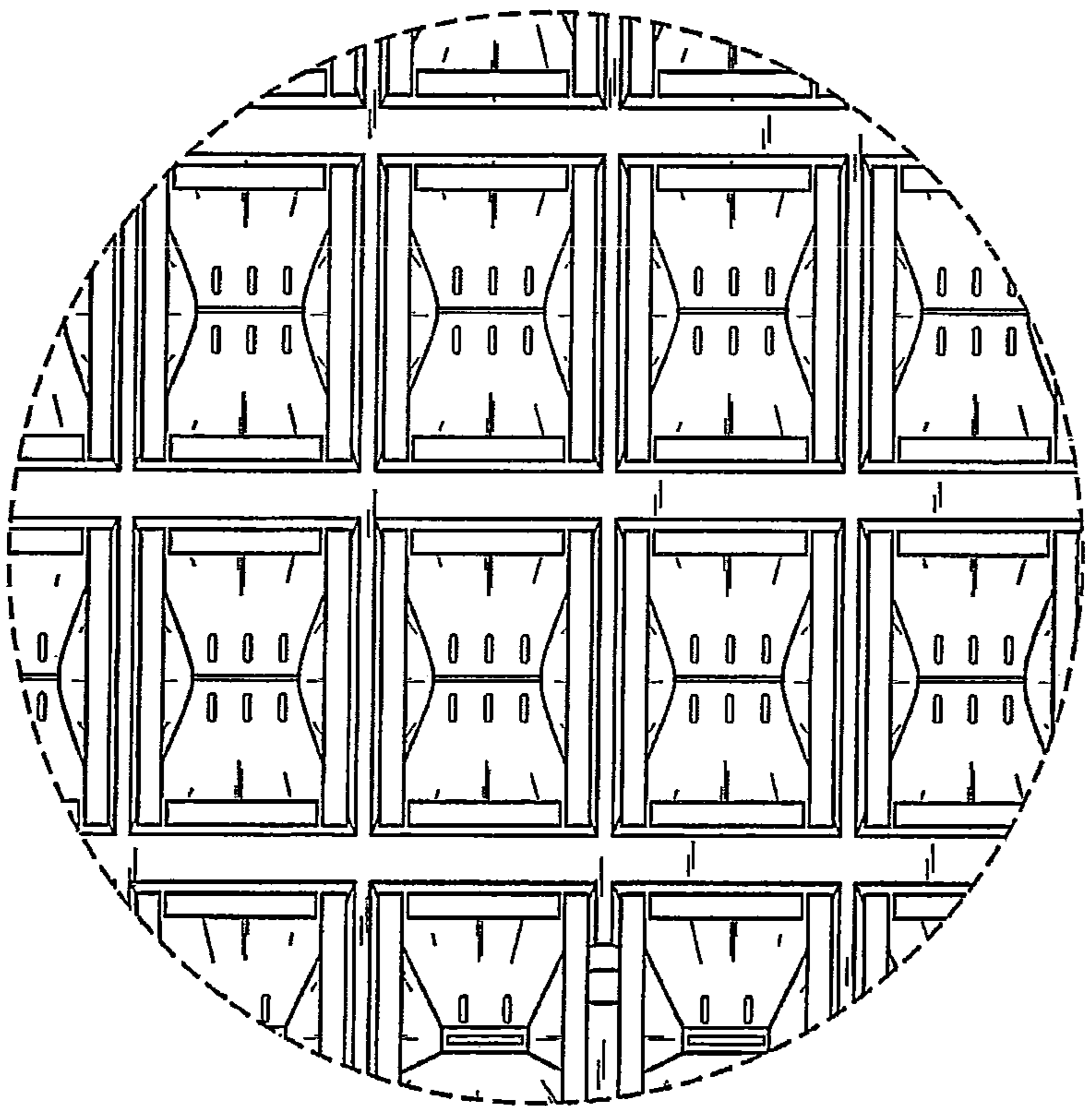


FIG. 6

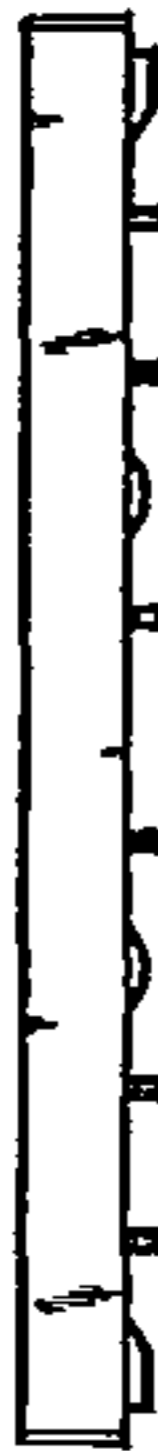


FIG. 8



FIG. 9

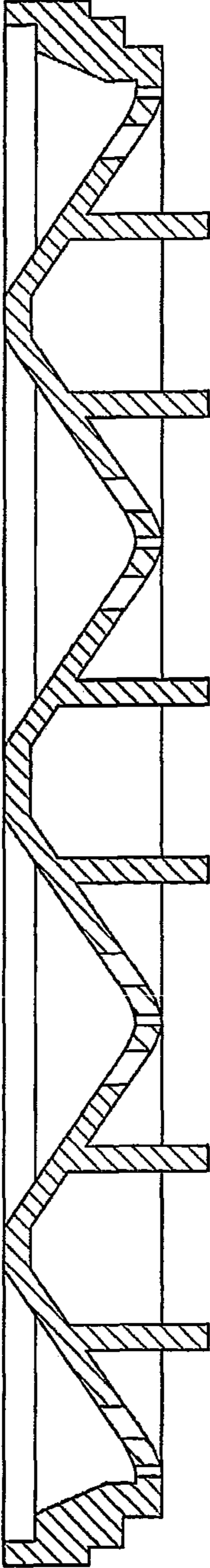


FIG. 10

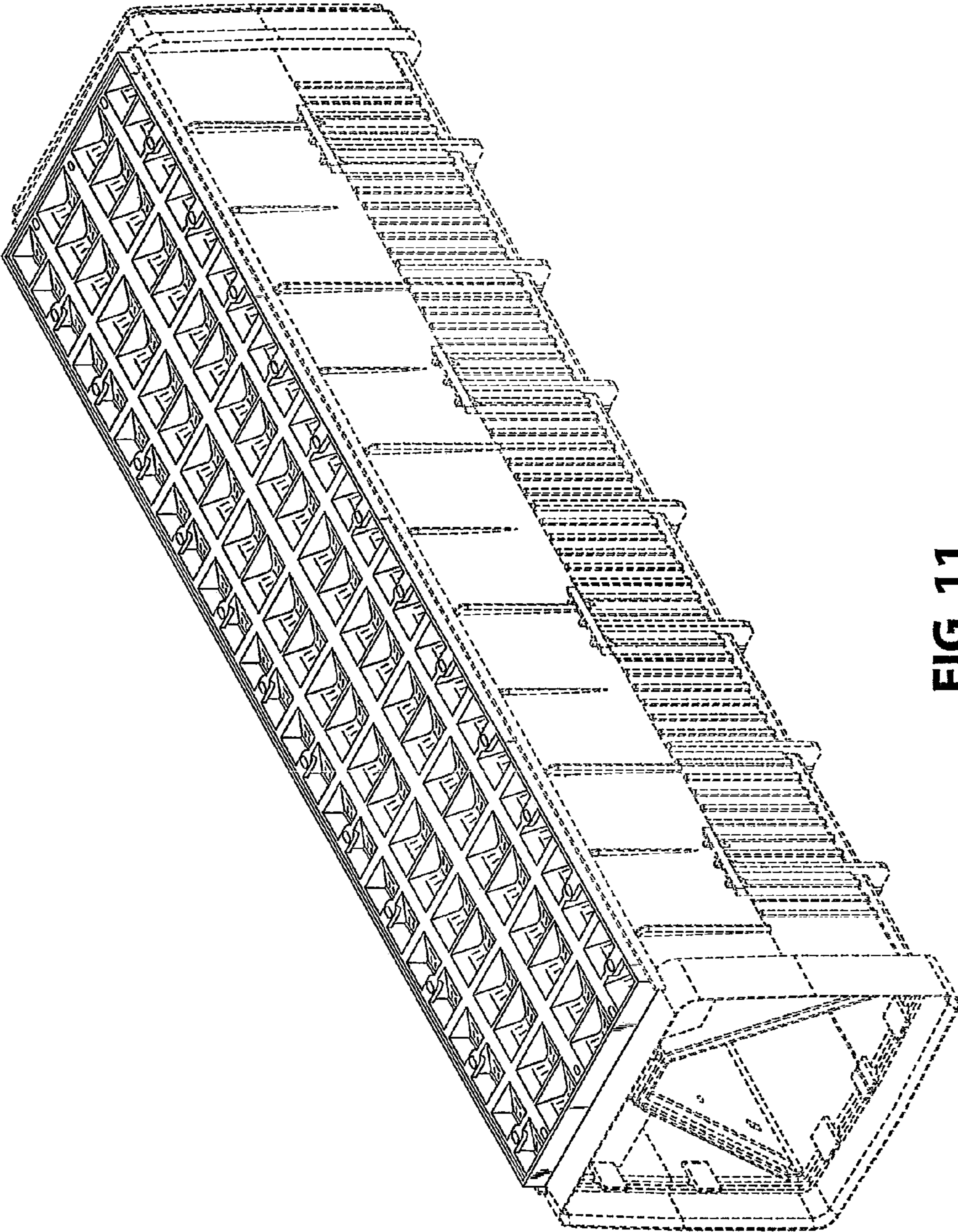


FIG. 11

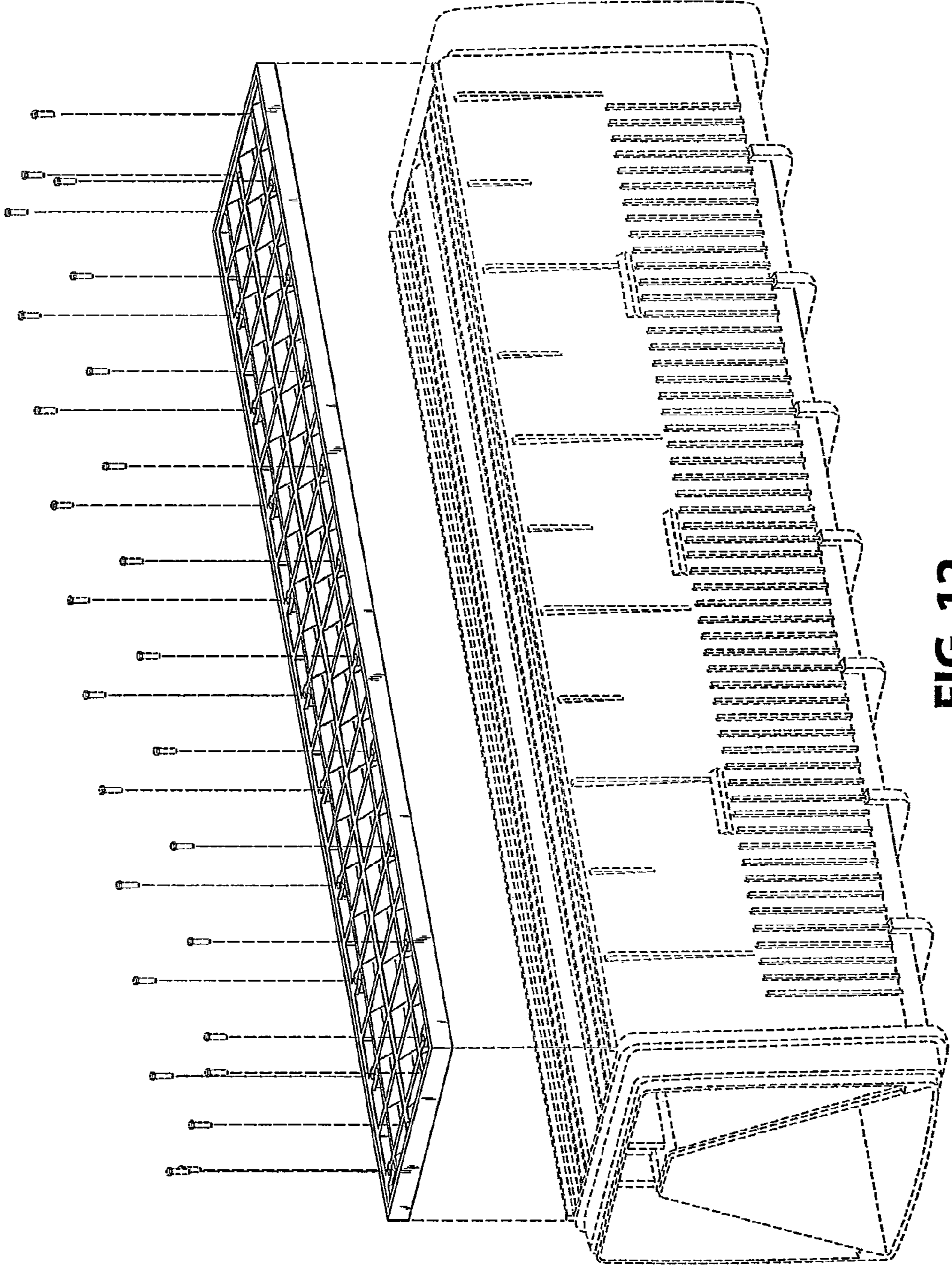


FIG. 12

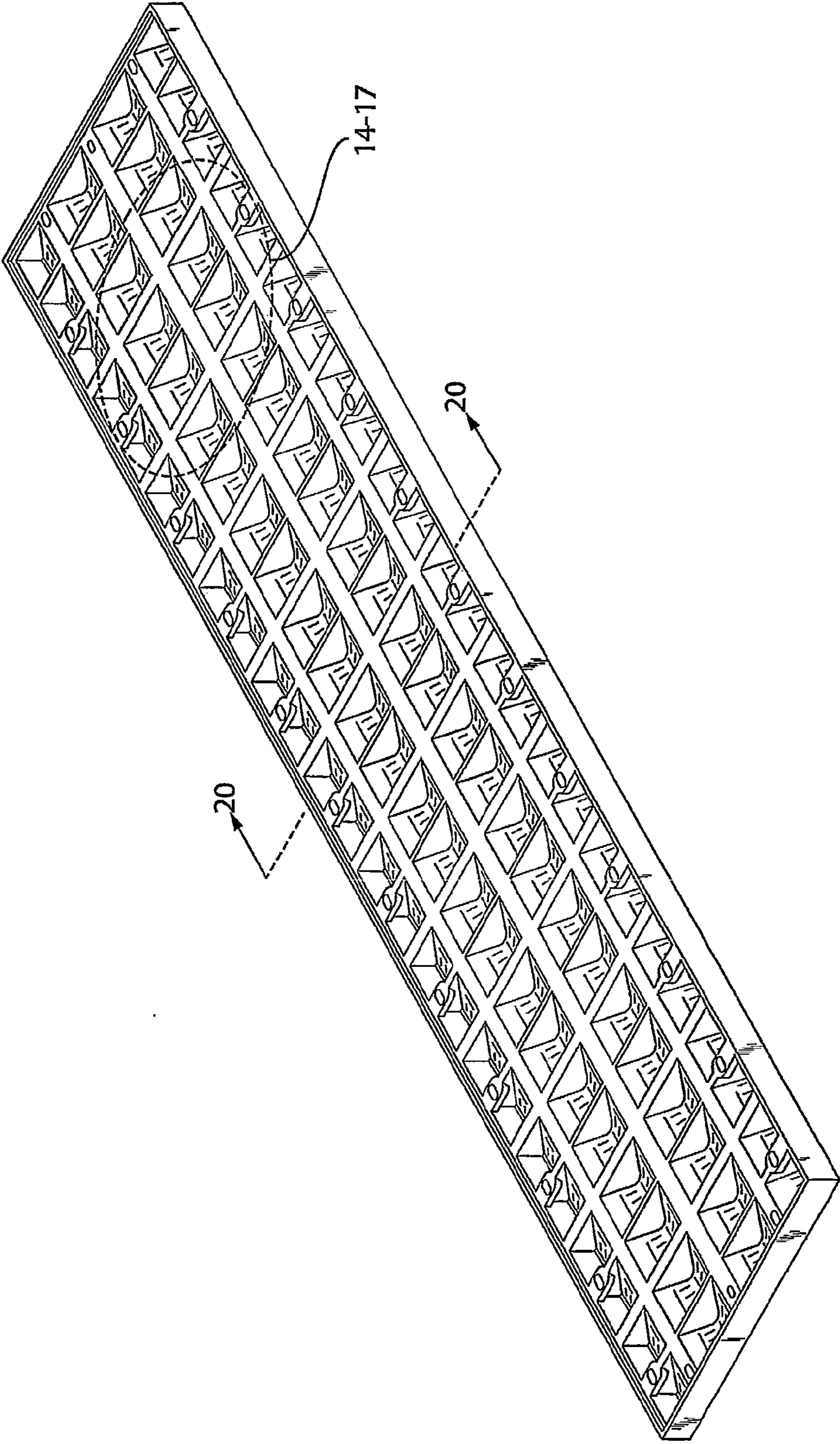


FIG. 13

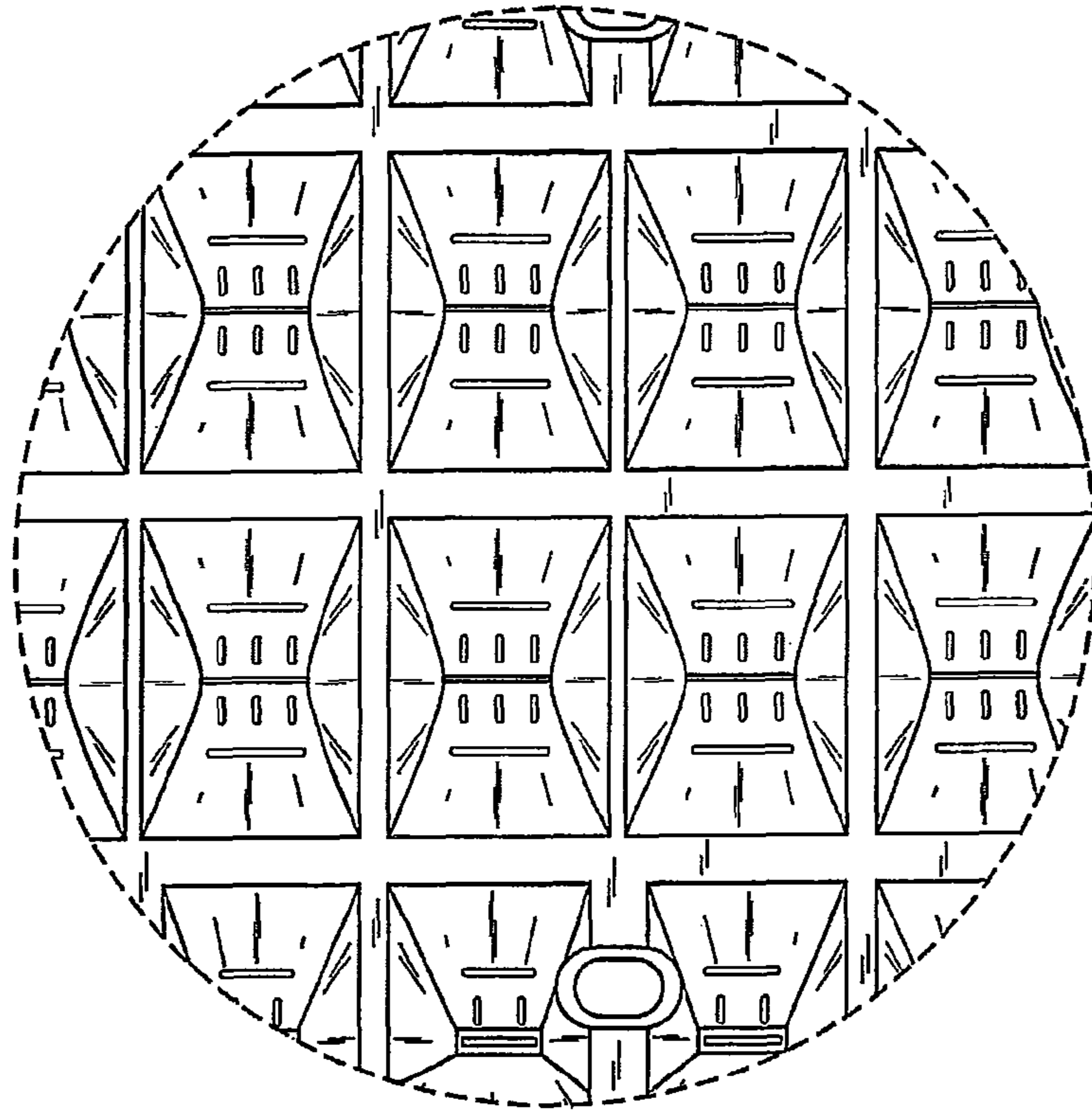


FIG. 15

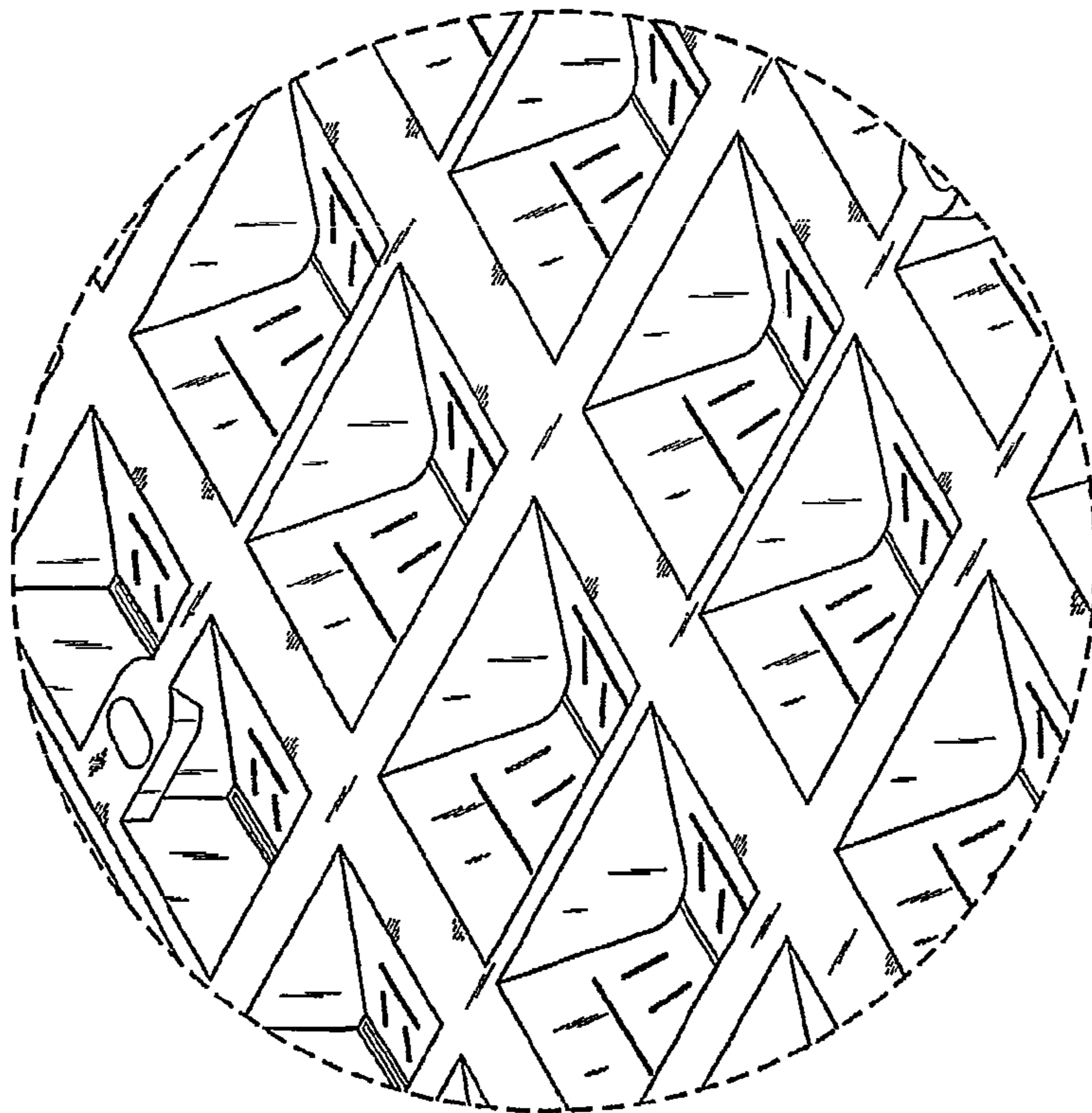


FIG. 14

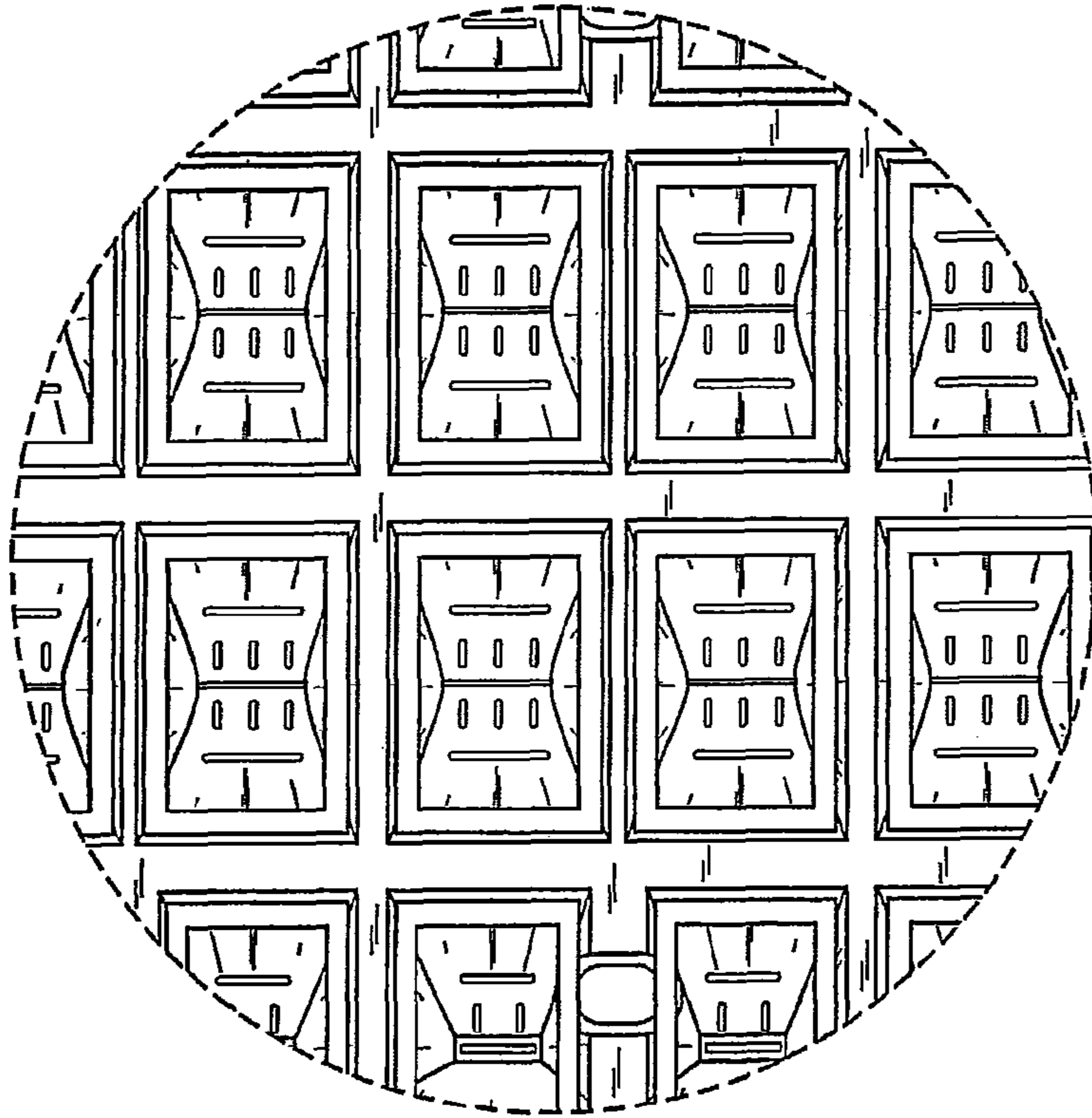


FIG. 17

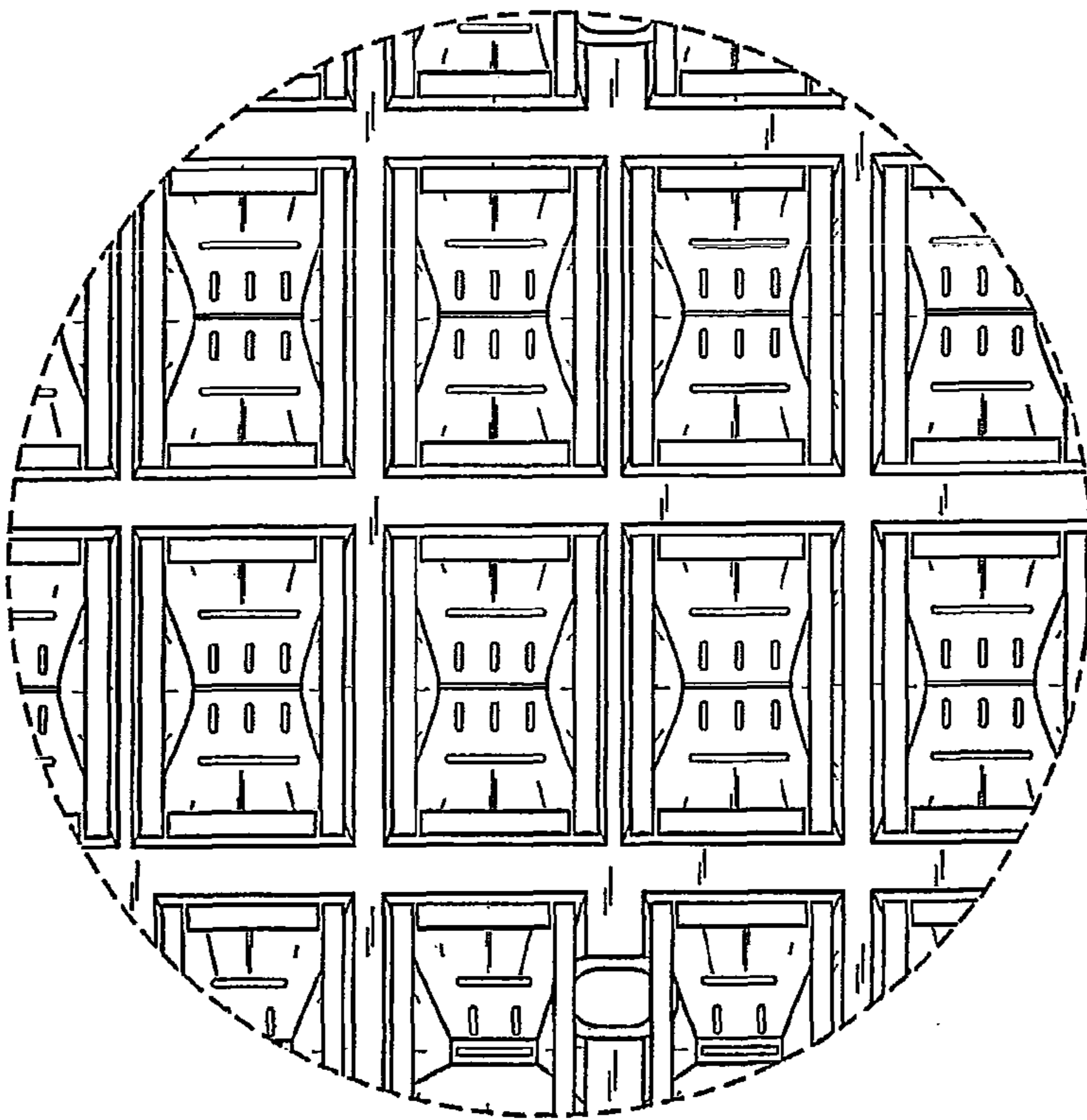


FIG. 16



FIG. 18



FIG. 19

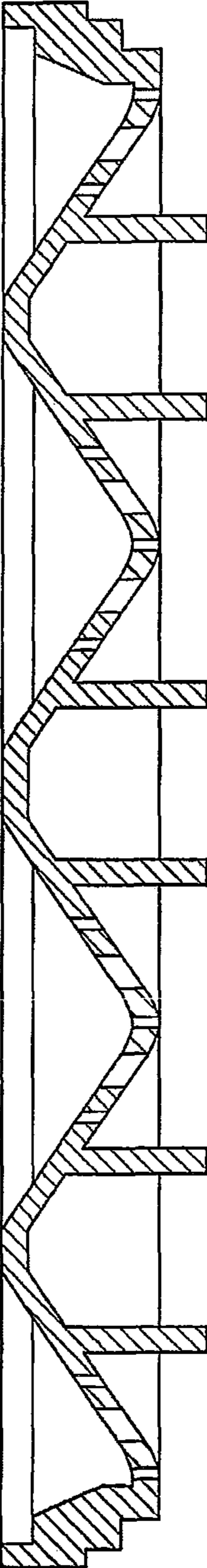


FIG. 20