



US00D687856S

(12) **United States Design Patent**
Haug

(10) **Patent No.:** **US D687,856 S**

(45) **Date of Patent:** **** Aug. 13, 2013**

(54) **DISPLAY SCREEN WITH ICON SET**

(75) Inventor: **Ingrid Haug**, Copenhagen (DK)

(73) Assignee: **Microsoft Corporation**, Redmond, WA (US)

(**) Term: **14 Years**

(21) Appl. No.: **29/407,884**

(22) Filed: **Dec. 2, 2011**

(51) **LOC (9) Cl.** **14-04**

(52) **U.S. Cl.**

USPC **D14/489**

(58) **Field of Classification Search**

USPC D14/485, 486, 487, 488, 489, 490, D14/491, 492, 493, 494, 495; D18/24, 25, D18/26, 27, 28, 29, 30, 31, 32, 33; D19/6, D19/52; D20/11, 12, 23, 24, 25, 29, 30, 31, D20/32, 36, 87, 38; 345/594; 455/566; 715/700, 715/708, 715, 719, 723, 726, 727, 763, 775, 715/779, 780, 810, 813, 821, 822, 823, 824, 715/825, 828, 835, 836, 837, 838, 840, 845, 715/846, 847, 861, 864, 970, 976, 977

See application file for complete search history.

(56) **References Cited**

U.S. PATENT DOCUMENTS

5,245,165	A *	9/1993	Zhang	235/454
D374,869	S *	10/1996	Karlin	D14/428
5,896,133	A *	4/1999	Lynch et al.	715/784
D437,342	S *	2/2001	Kramer et al.	D18/27
6,232,970	B1 *	5/2001	Bodnar et al.	715/708
D445,428	S *	7/2001	Pattenden	D14/488
D542,802	S *	5/2007	Woodcock	D14/453
D574,832	S *	8/2008	MacGregor et al.	D14/428
D606,544	S *	12/2009	Di Bari et al.	D14/428
D628,595	S *	12/2010	Danhope-Smith	D14/493
8,365,071	B2 *	1/2013	Fux et al.	715/262

2002/0070957	A1 *	6/2002	Trajkovic et al.	345/719
2009/0132914	A1 *	5/2009	Matsuyama et al.	715/700
2009/0287347	A1 *	11/2009	Johnson et al.	700/231

OTHER PUBLICATIONS

Barcode scanner icon, [on-line]; [posted to the Internet on Apr. 4, 2009]; [retrieved from the Internet Apr. 5, 2013]; URL: >http://graphicriver.net/item/shopping-icons/35 . . . (7 pages, see p. 3).*
US Trademark Application 75859934, filed Nov. 29, 1999 by PSC Inc. First use in commerce date: Sep. 14, 1998. (2 pages).*
US Trademark 1159797, filed Jul. 2, 1979 by Flight Systems, Inc. First use in commerce date: Mar. 1, 1974. (2 pages).*
US Trademark 2955058, filed by Apr. 21, 2004 by Forklift Safety Training Services, Inc. First use in commerce: Jan. 31, 2003. (2 pages).*
US Trademark 3438706, filed Feb. 7, 2007 by Toyota Material Handling U.S.A., Inc. First use in commerce date: Sep. 15, 2006. (2 pages).*
US Trademark 4145731, filed Aug. 15, 2011 by Tri-Lift NC, Inc. First use in commerce date: May 1, 2011. (2 pages).*

(Continued)

Primary Examiner — Karen E Eldridge Powers

(74) *Attorney, Agent, or Firm* — Banner & Witcoff, Ltd.

(57) **CLAIM**

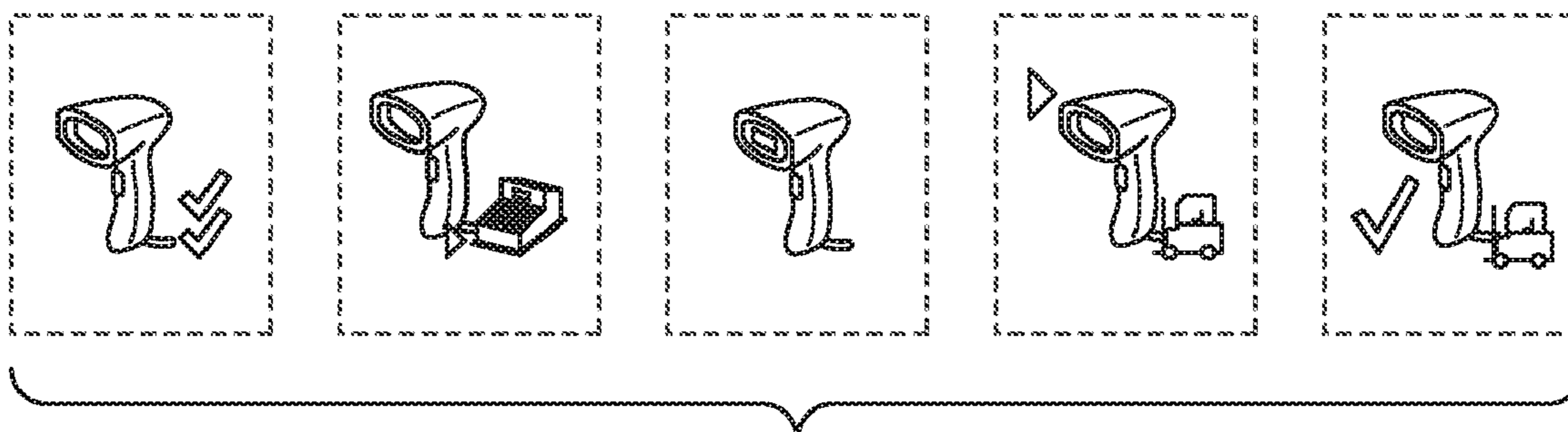
The ornamental design for a display screen with icon set, as shown and described.

DESCRIPTION

The FIGURE is a front view of a display screen with icon set showing the new design.

The broken line showing of the portion of a display screen is for the purpose of illustrating environmental structure and forms no part of the claimed design. The icon set is arranged relatively on the drawing sheet for the convenience of display and their relative positioning forms no part of the claimed design.

1 Claim, 1 Drawing Sheet



US D687,856 S

Page 2

OTHER PUBLICATIONS

US Trademark Application 76091892, filed Jul. 15, 2000 by Aventis Cropscience S.A. (Societe Anonyme) Corp. Publication date: May 20, 2003. (2 pages).*

US Trademark Application 85127907, filed Sep. 13, 2010 by Yale Carolinas, Inc. First use in commerce date: Jan. 15, 2010. (2 pages).*

* cited by examiner

